



(12) **United States Design Patent**
Denzer et al.

(10) **Patent No.:** **US D808,010 S**
(45) **Date of Patent:** **** Jan. 16, 2018**

- (54) **INJECTION DEVICE**
- (71) Applicant: **Amgen Inc.**, Thousand Oaks, CA (US)
- (72) Inventors: **Michael Denzer**, Ringoes, NJ (US);
Robert W. Swift, Fillmore, CA (US);
Neal D. Johnston, Irving, TX (US);
Gabriele Ganzitti, Milan (IT);
Kenneth R. Ewing, Fremont, CA (US);
Suhas Krishna, Simi Valley, CA (US)
- (73) Assignee: **AMGEN INC.**, Thousand Oaks, CA (US)
- (**) Term: **15 Years**
- (21) Appl. No.: **29/548,507**
- (22) Filed: **Dec. 14, 2015**

Related U.S. Application Data

- (63) Continuation-in-part of application No. 14/112,479, filed as application No. PCT/US2012/034535 on Apr. 20, 2012.
- (51) **LOC (11) Cl.** **24-02**
- (52) **U.S. Cl.**
USPC **D24/113**
- (58) **Field of Classification Search**
USPC D24/127-131, 112-114, 133, 186;
606/181, 185; 604/264, 272, 115, 232,
(Continued)

References Cited

U.S. PATENT DOCUMENTS

- 5,393,497 A * 2/1995 Haber A61J 1/2089
137/68.11
- 5,921,966 A * 7/1999 Bendek A61M 5/24
604/207

(Continued)

Primary Examiner — Eric L Goodman

Assistant Examiner — Nathan M Johnston
(74) *Attorney, Agent, or Firm* — Marshall, Gerstein & Borun LLP

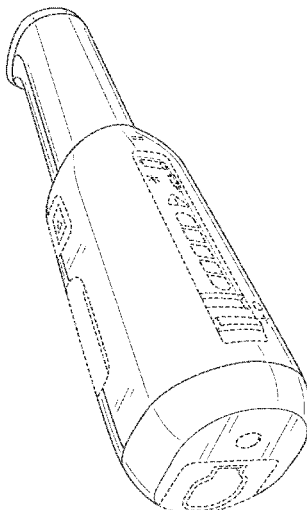
(57) **CLAIM**

The ornamental design for an injection device, as shown and described.

DESCRIPTION

FIG. 1 is a perspective view of a first embodiment of an injection device showing the new design; FIG. 2 is a front elevation view thereof; FIG. 3 is a rear elevation view thereof; FIG. 4 is a side elevation view thereof; FIG. 5 is an opposite side elevation view thereof; FIG. 6 is a top view thereof; FIG. 7 is a bottom view thereof; FIG. 8 is a reference view thereof showing insertion or removal of a pharmaceutical product cassette; FIG. 9 is an environmental view thereof showing insertion or removal of a pharmaceutical product cassette; and FIG. 10 is an environment view thereof showing the pharmaceutical product cassette inserted in the injection device. FIG. 11 is a front elevation view thereof; FIG. 12 is a rear elevation view thereof; FIG. 13 is a side elevation view thereof; FIG. 14 is an opposite side elevation view thereof; FIG. 15 is a top view thereof; FIG. 16 is a bottom view thereof; FIG. 17 is an environmental view thereof showing insertion or removal of a pharmaceutical product cassette; and, FIG. 18 is an environment view thereof showing the pharmaceutical product cassette inserted in the injection device. The dashed lines immediately adjacent to the shaded areas in the figures represent the boundaries of the claimed design. The dashed lines in the figures illustrate the portions of the design that form no part of the claimed design. None of the broken lines form any part of the claimed design.

1 Claim, 16 Drawing Sheets



(58) **Field of Classification Search**

USPC .. 604/187, 158, 164.08, 192, 263, 163, 181,
 604/184, 198, 227; 600/101, 139, 143;
 128/200.24, 207.14, 207.15;
 D19/115-123, 177, 193
 CPC A61M 5/2033; A61M 2005/206; A61M
 5/326; A61M 5/3202; A61M 2005/208
 See application file for complete search history.

(56) **References Cited**

U.S. PATENT DOCUMENTS

D483,116	S *	12/2003	Castellano	D24/112
D628,690	S *	12/2010	Galbraith	D24/114
D650,070	S *	12/2011	Mori	D24/113
D694,879	S *	12/2013	Julian	D24/113
D748,783	S *	2/2016	Zhang	D24/133
D757,254	S *	5/2016	Wohlfahrt	D24/113
2011/0202011	A1 *	8/2011	Wozencroft	A61M 5/2033
				604/192
2013/0274668	A1 *	10/2013	Barrow-Williams	A61M 5/2033
				604/136
2013/0317480	A1 *	11/2013	Reber	A61M 5/2033
				604/506
2015/0217057	A1 *	8/2015	Hogdahl	A61M 5/2033
				604/117
2017/0043105	A1 *	2/2017	Elmen	A61M 5/3204

* cited by examiner

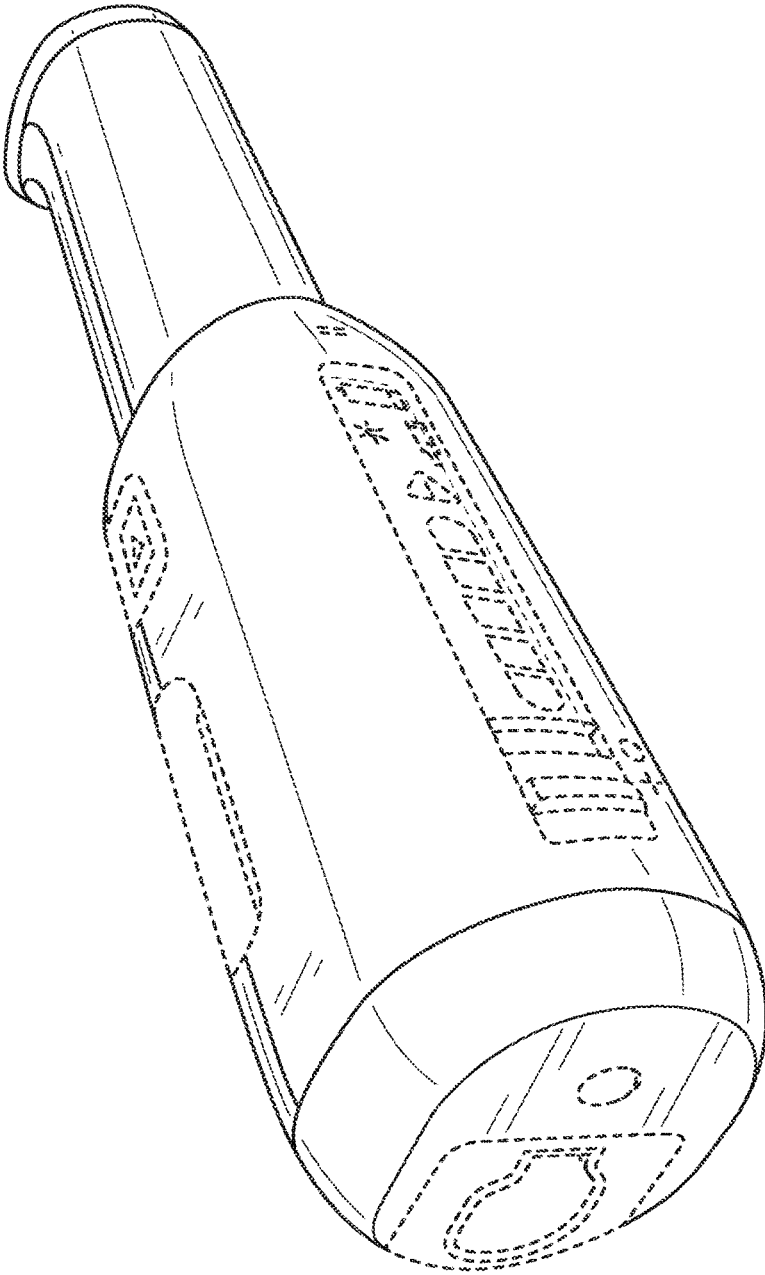


FIG. 1

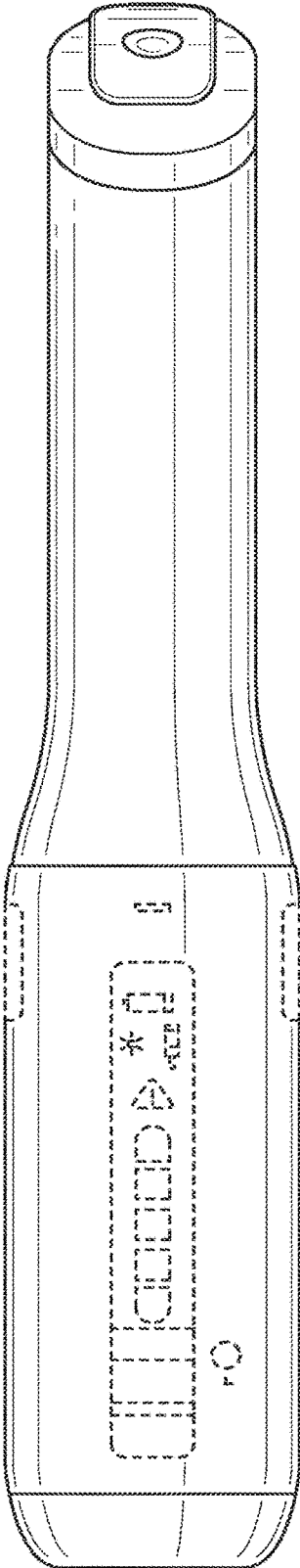


FIG. 2

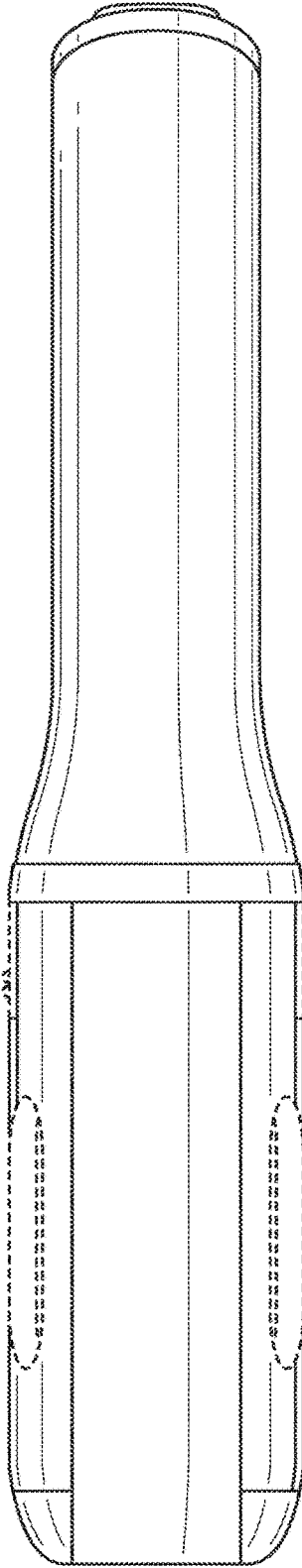


FIG. 3

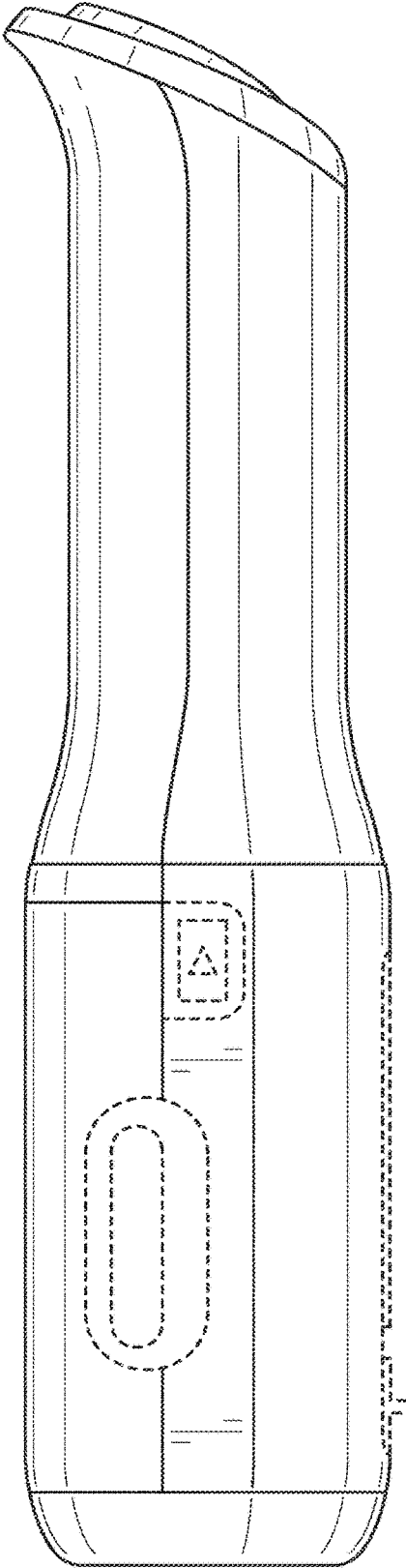


FIG. 4

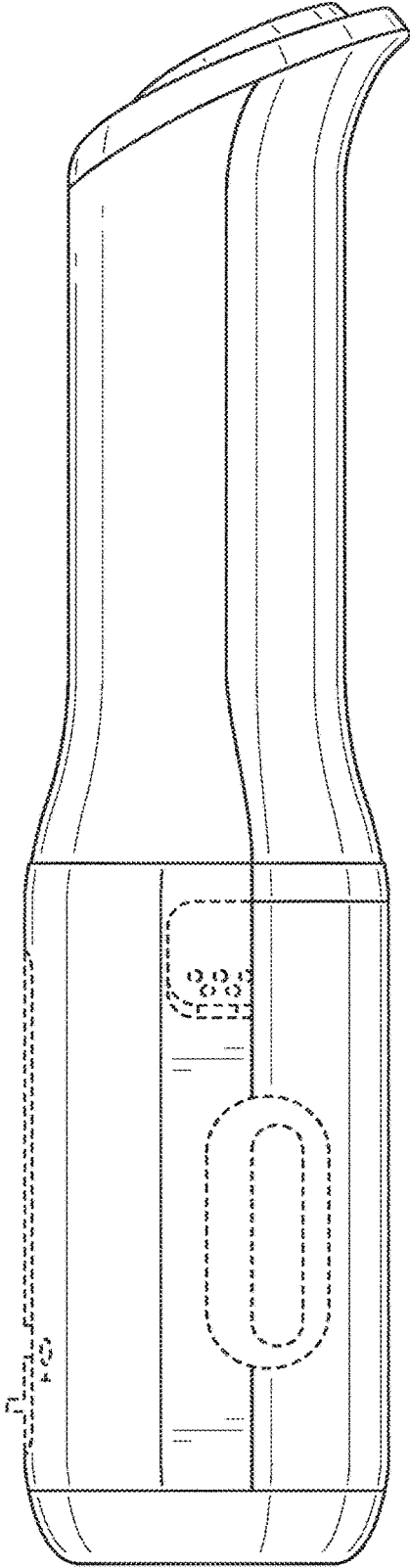


FIG. 5

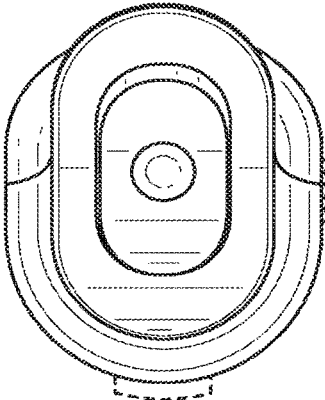


FIG. 6

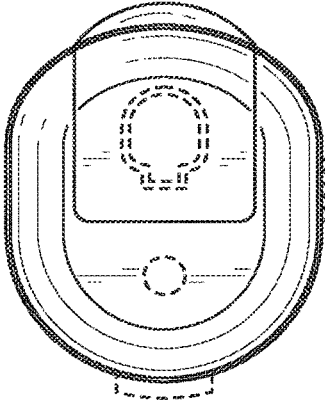


FIG. 7

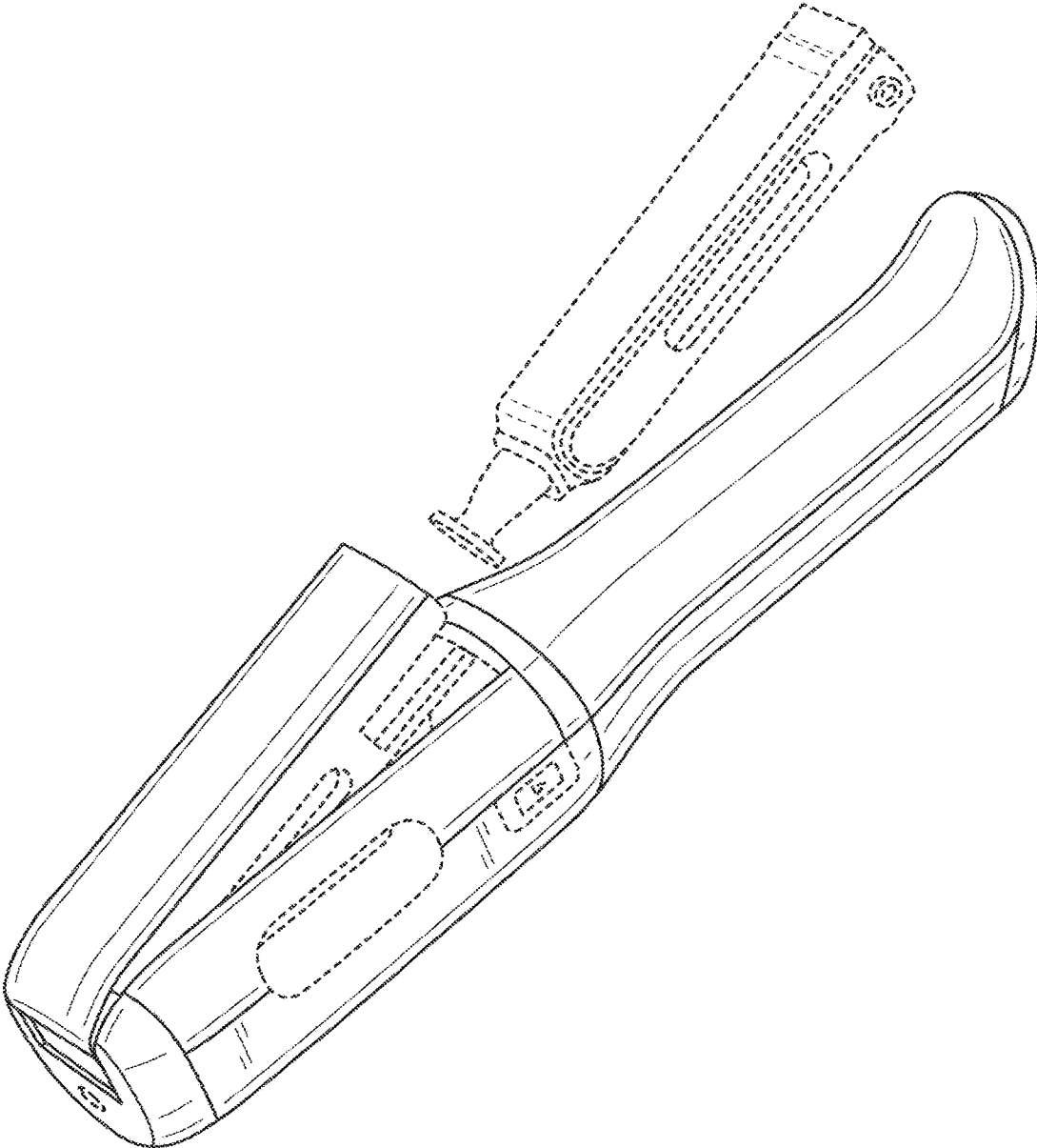


FIG. 8

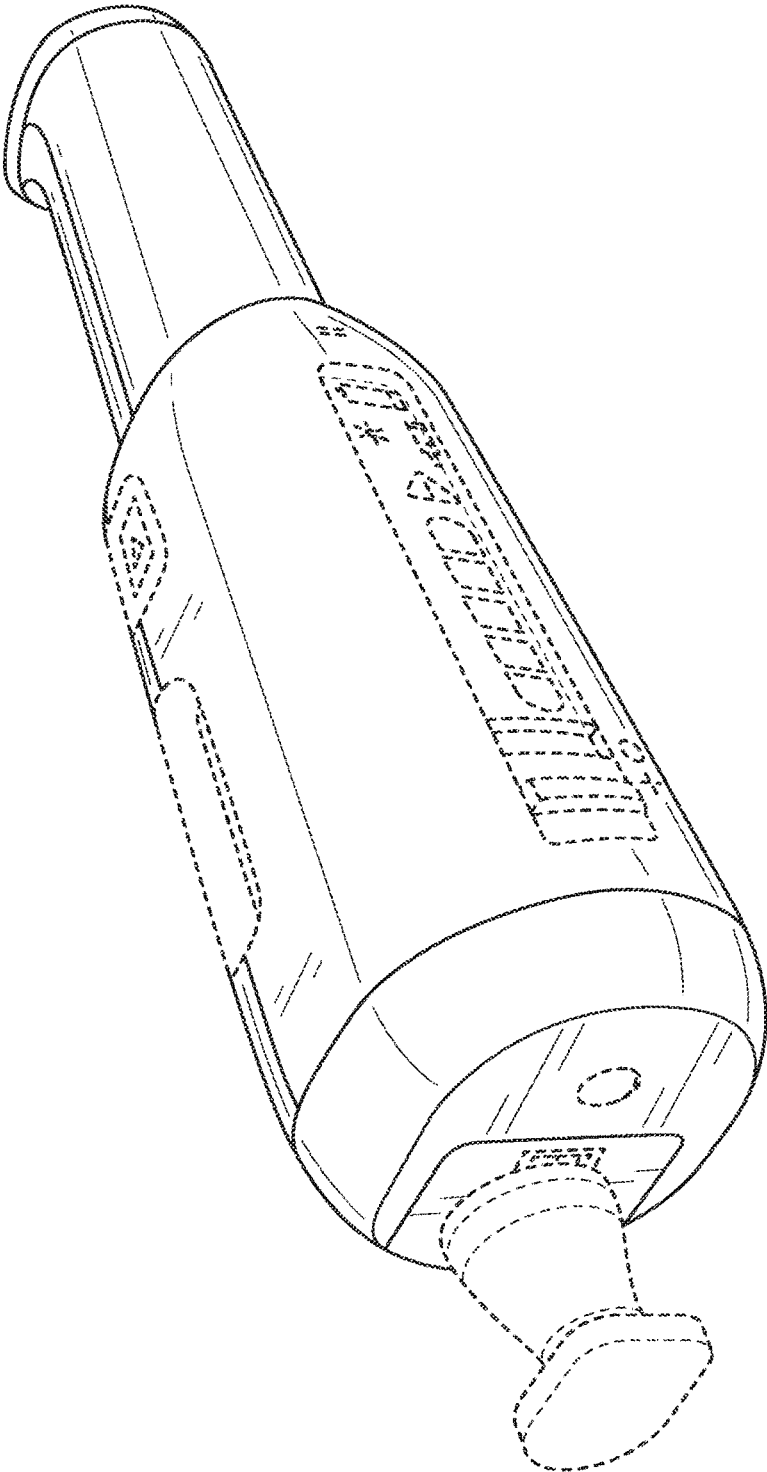


FIG. 9

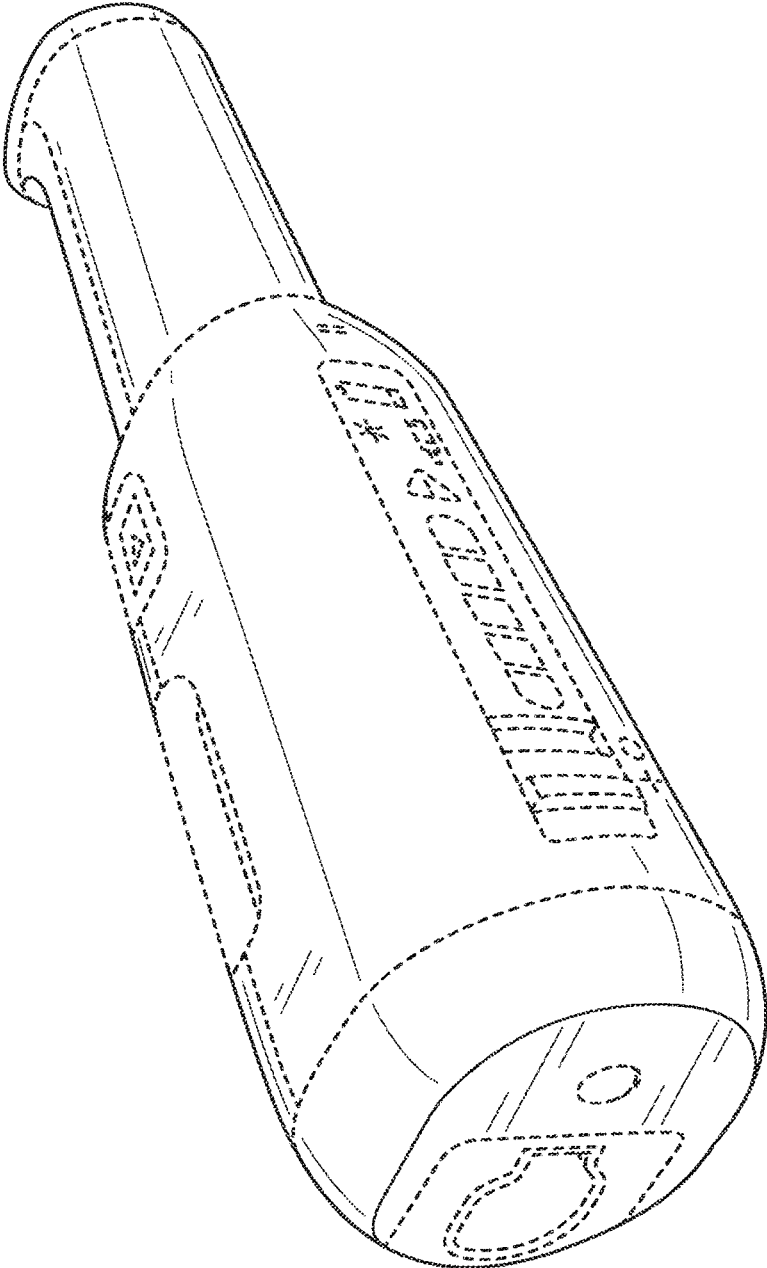


FIG. 10

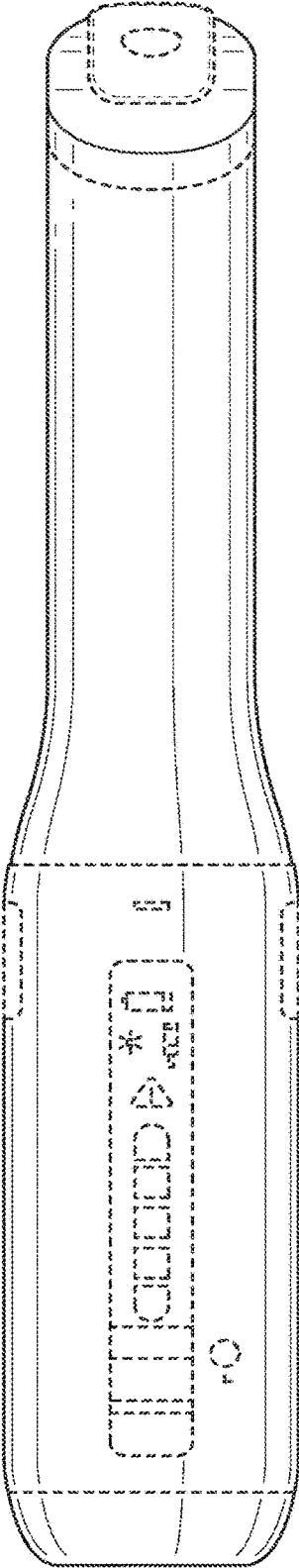


FIG. 11

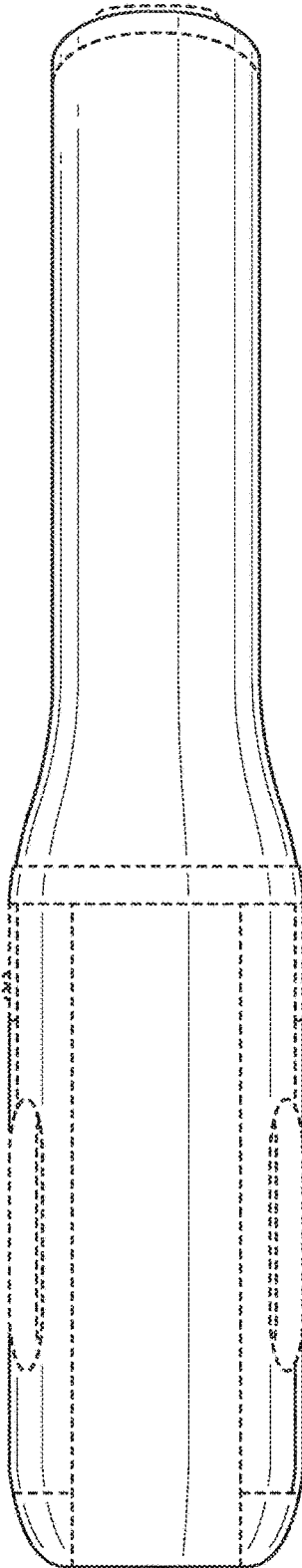


FIG. 12

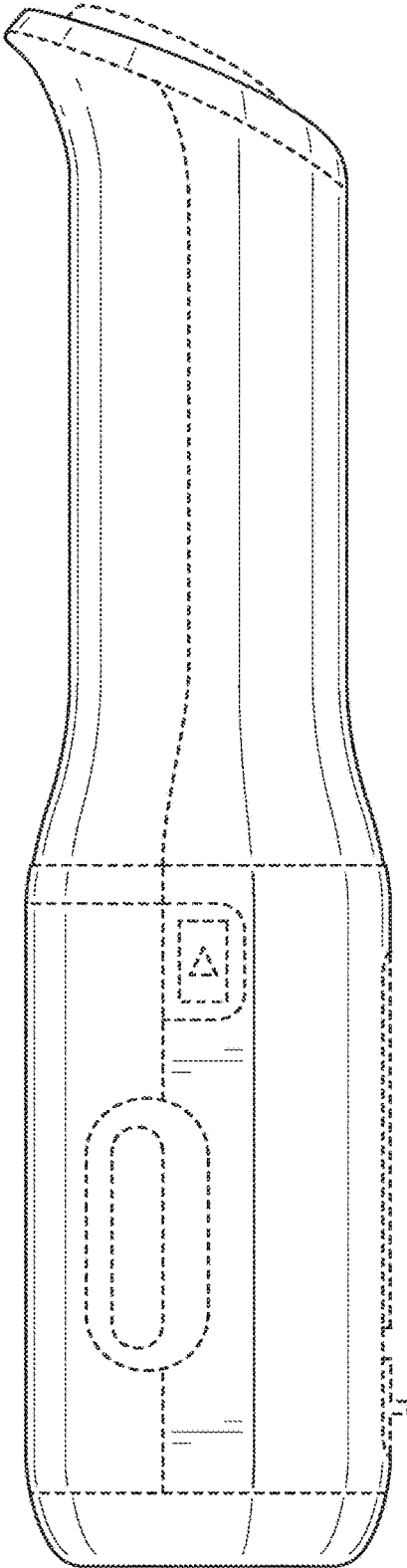


FIG. 13

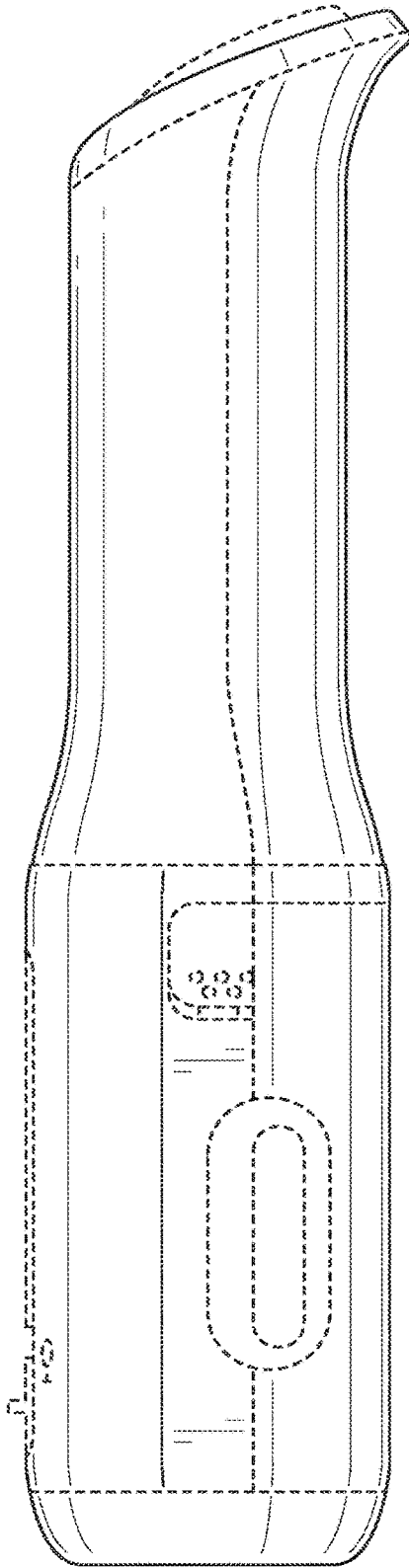


FIG. 14

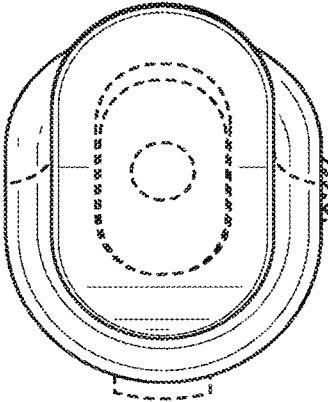


FIG. 15

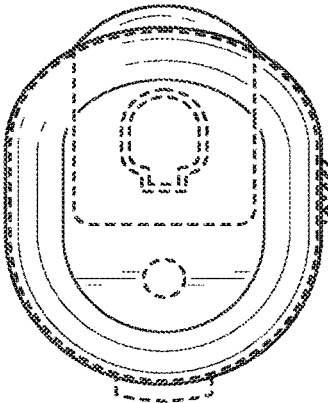


FIG. 16

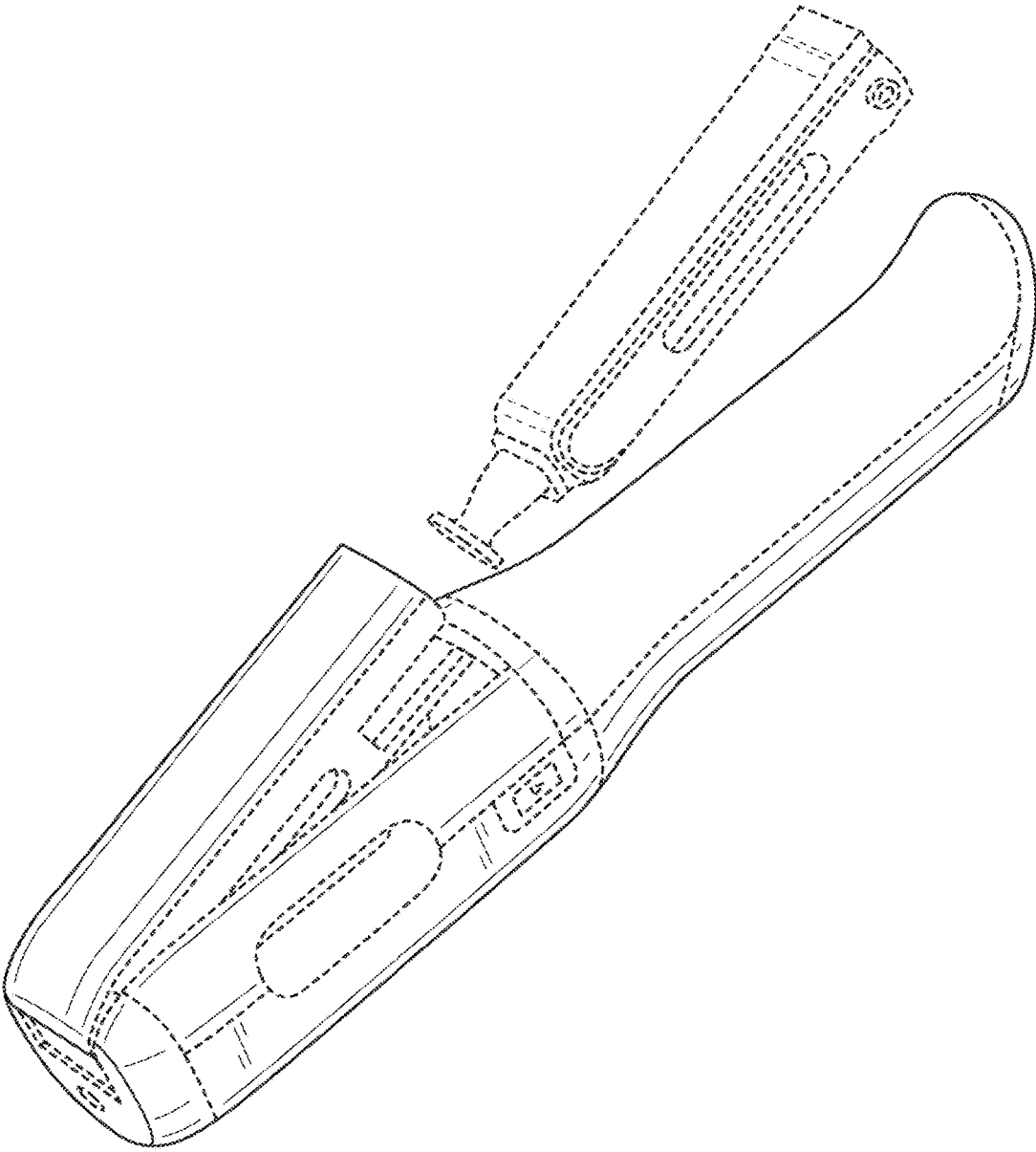


FIG. 17

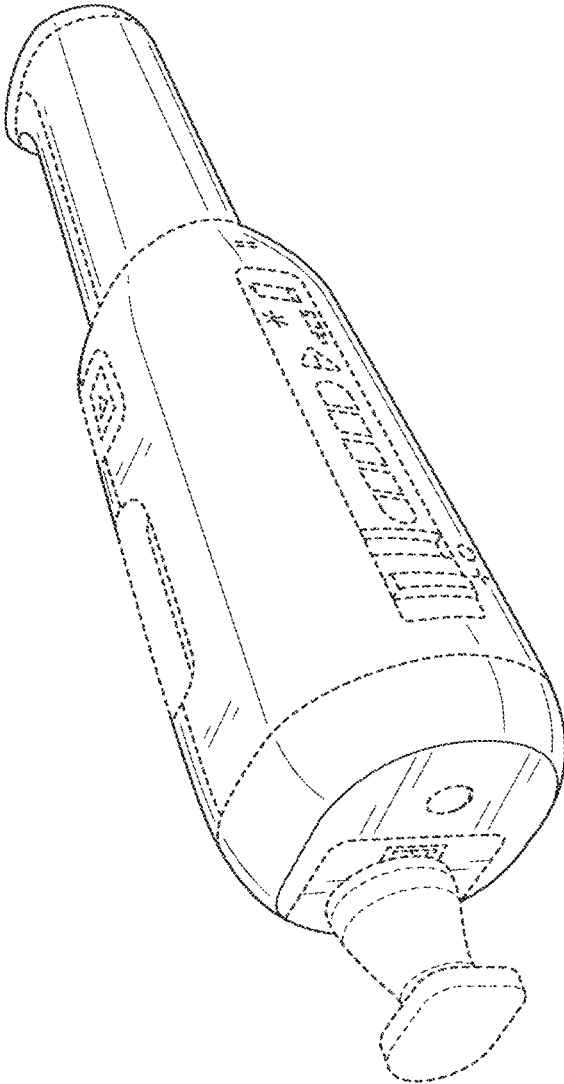


FIG. 18