



US00D510328S

(12) **United States Design Patent**  
Shih et al.

(10) **Patent No.:** **US D510,328 S**

(45) **Date of Patent:** **\*\* Oct. 4, 2005**

(54) **TELEVISION RECEIVER**

(75) Inventors: **Cheng-Yu Shih**, Taoyuan (TW);  
**Kuei-Jung Yang**, Taoyuan (TW)

(73) Assignee: **Enlight Corporation**, Taoyuan (TW)

(\*\*) Term: **14 Years**

(21) Appl. No.: **29/209,198**

(22) Filed: **Jul. 12, 2004**

(51) **LOC (8) Cl.** ..... **14-03**

(52) **U.S. Cl.** ..... **D14/126**

(58) **Field of Search** ..... D14/125-134,  
D14/239, 371, 374-376; 312/7.2; 348/836,  
838, 180, 184, 325, 739; 341/12; 248/917-924;  
345/104, 133, 156, 168, 87, 173; 353/74;  
D10/106; D13/164

(56) **References Cited**

**U.S. PATENT DOCUMENTS**

- D417,659 S \* 12/1999 Takemasa ..... D14/374
- D419,977 S \* 2/2000 Chuo ..... D14/375
- D422,978 S \* 4/2000 Hirota ..... D14/448

- D441,732 S \* 5/2001 Ota ..... D14/126
- D460,425 S \* 7/2002 Joe ..... D14/126
- D474,454 S \* 5/2003 Izu et al. .... D14/133
- D502,154 S \* 2/2005 Peng ..... D14/126

\* cited by examiner

*Primary Examiner*—Raphael Barkai

(74) *Attorney, Agent, or Firm*—Alan D. Kamrath; Nikolai & Mersereau, P.A.

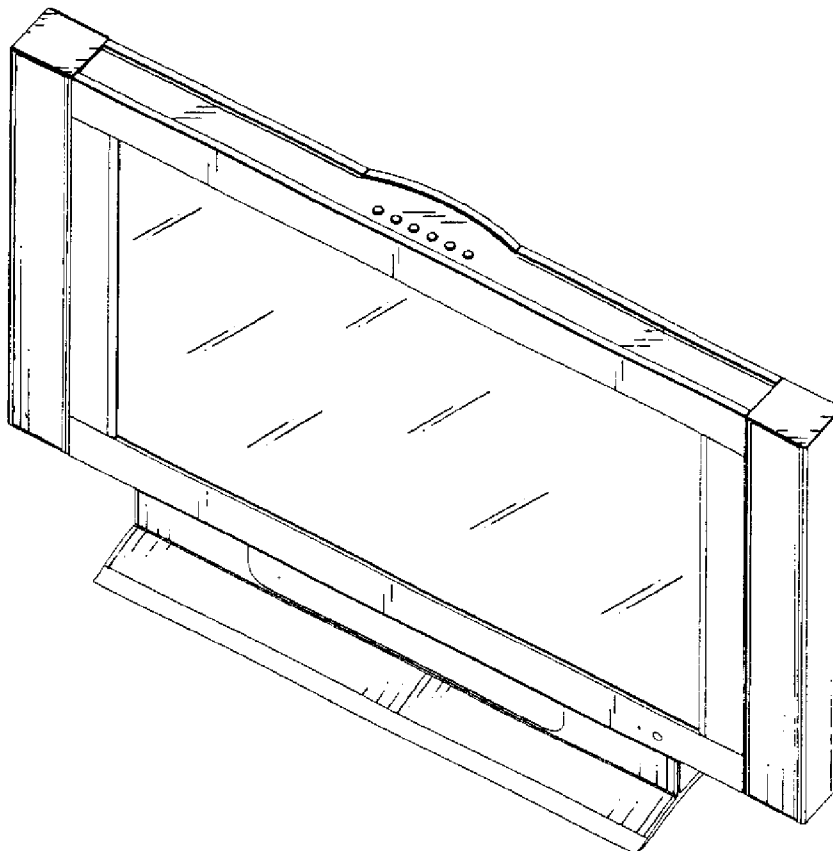
(57) **CLAIM**

The ornamental design for television receiver, as shown and described.

**DESCRIPTION**

FIG. 1 is a perspective view of a television receiver showing my new design;  
 FIG. 2 is a front view thereof;  
 FIG. 3 is a rear view thereof;  
 FIG. 4 is a left view thereof;  
 FIG. 5 is a right view thereof;  
 FIG. 6 is a top view thereof; and,  
 FIG. 7 is a bottom view thereof.

**1 Claim, 3 Drawing Sheets**



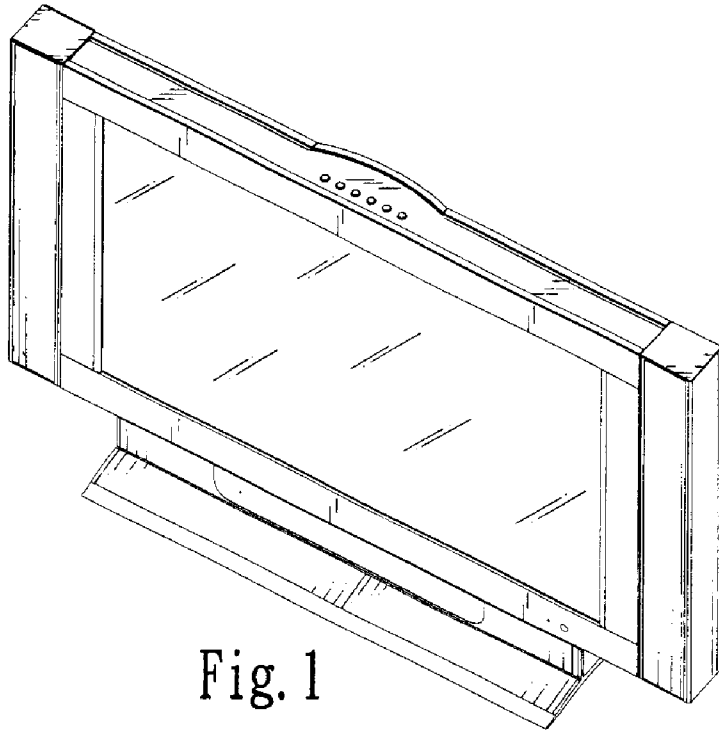


Fig. 1

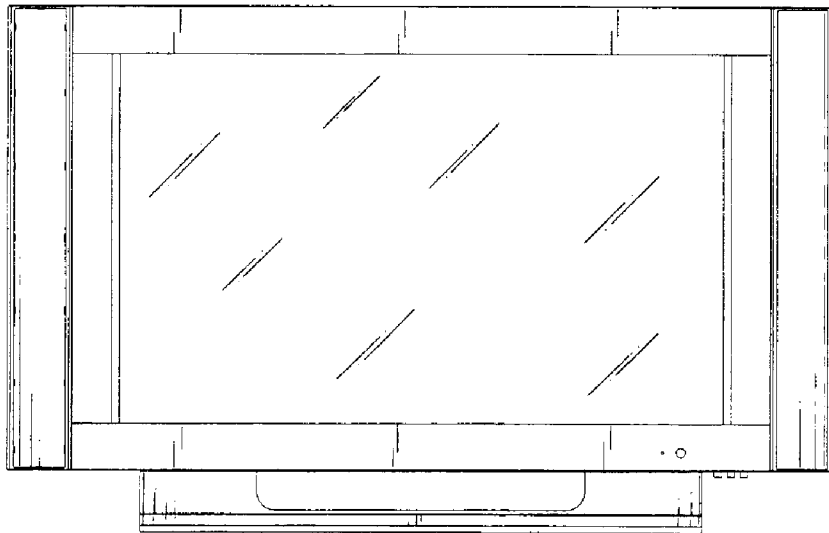


Fig. 2

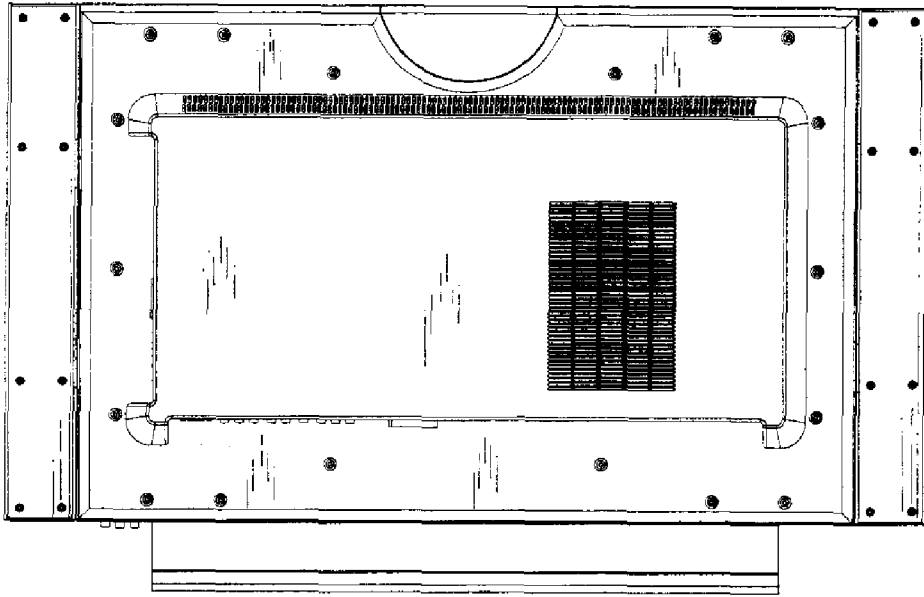


Fig. 3

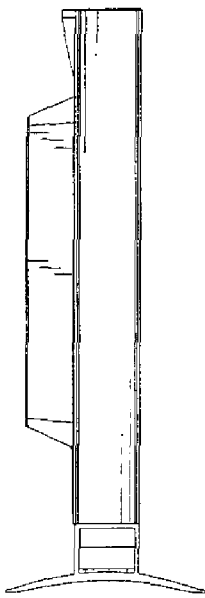


Fig. 4

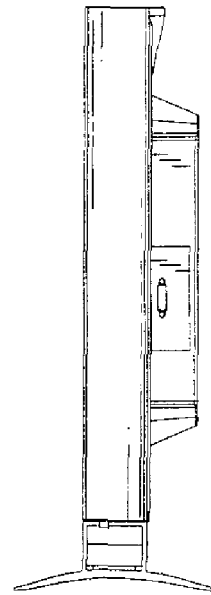


Fig. 5

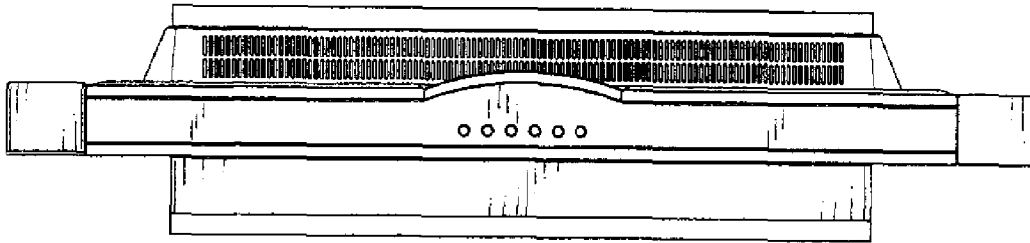


Fig. 6

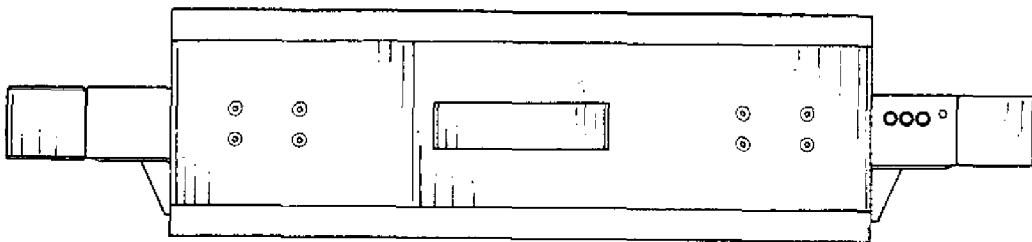


Fig. 7