

(19) World Intellectual Property Organization  
International Bureau



(43) International Publication Date  
31 July 2008 (31.07.2008)

PCT

(10) International Publication Number  
**WO 2008/091935 A3**

(51) International Patent Classification:  
A46B 11/00 (2006.01)

(21) International Application Number:  
PCT/US2008/051778

(22) International Filing Date: 23 January 2008 (23.01.2008)

(25) Filing Language: English

(26) Publication Language: English

(30) Priority Data:  
11/626,617 24 January 2007 (24.01.2007) US

(71) Applicant (for all designated States except US): COLGATE-PALMOLIVE COMPANY [US/US]; 300 Park Avenue, New York, NY 10022 (US).

(72) Inventors; and

(75) Inventors/Applicants (for US only): GATZEMEYER, John, J. [US/US]; 85 Rohill Road, Hillsborough, NJ 08844 (US). BOYD, Thomas, J. [US/US]; 226 High Street, Metuchen, NJ 08840 (US). JIMENEZ, Eduardo, J. [US/US]; 21 Manor Drive, Manalapan, NJ 07725 (US). RUSSELL, Bruce, M. [US/US]; 30 Flintlock Drive, Howell, NJ 07731 (US).

(74) Agent: WALLACE, Michael; Colgate-palmolive Company, 909 River Road, Po Box 1343, Piscataway, NJ 08854 (US).

(81) Designated States (unless otherwise indicated, for every kind of national protection available): AE, AG, AL, AM, AO, AT, AU, AZ, BA, BB, BG, BH, BR, BW, BY, BZ, CA, CH, CN, CO, CR, CU, CZ, DE, DK, DM, DO, DZ, EC, EE, EG, ES, FI, GB, GD, GE, GH, GM, GT, HN, HR, HU, ID, IL, IN, IS, JP, KE, KG, KM, KN, KP, KR, KZ, LA, LC, LK, LR, LS, LT, LU, LY, MA, MD, ME, MG, MK, MN, MW, MX, MY, MZ, NA, NG, NI, NO, NZ, OM, PG, PH, PL, PT, RO, RS, RU, SC, SD, SE, SG, SK, SL, SM, SV, SY, TJ, TM, TN, TR, TT, TZ, UA, UG, US, UZ, VC, VN, ZA, ZM, ZW.

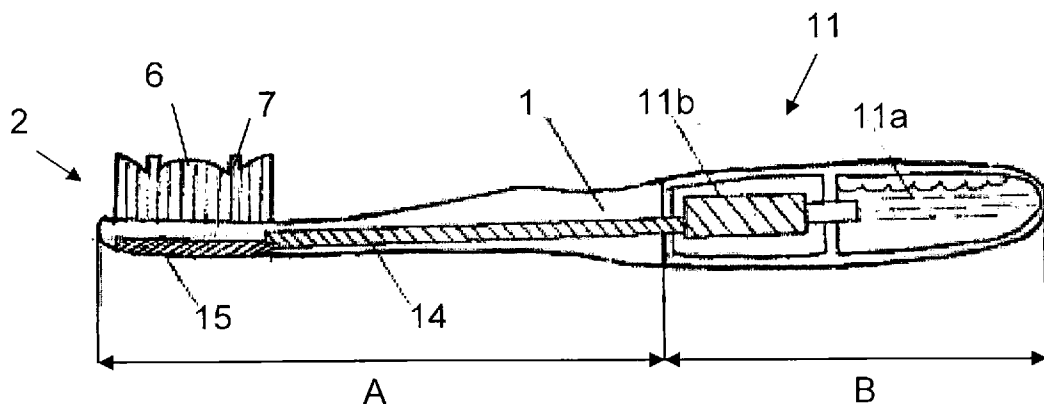
(84) Designated States (unless otherwise indicated, for every kind of regional protection available): ARIPO (BW, GH, GM, KE, LS, MW, MZ, NA, SD, SL, SZ, TZ, UG, ZM, ZW), Eurasian (AM, AZ, BY, KG, KZ, MD, RU, TJ, TM), European (AT, BE, BG, CH, CY, CZ, DE, DK, EE, ES, FI, FR, GB, GR, HR, HU, IE, IS, IT, LT, LU, LV, MC, MT, NL, NO, PL, PT, RO, SE, SI, SK, TR), OAPI (BF, BJ, CF, CG, CI, CM, GA, GN, GQ, GW, ML, MR, NE, SN, TD, TG).

**Published:**

- with international search report
- before the expiration of the time limit for amending the claims and to be republished in the event of receipt of amendments
- upon request of the applicant under Article 64(3)(c)(i)

(88) Date of publication of the international search report:  
5 February 2009

(54) Title: ORAL CARE IMPLEMENT HAVING FLUID DELIVERY SYSTEM



**FIG. 1**

(57) Abstract: An oral care implement has a head portion with tooth cleaning elements on one surface thereof and a reservoir containing at least one active agent. A capillary channel extends through at least a portion of the oral care implement to deliver active agent(s) to one or more outlets. In one aspect, a vibration-producing device is provided to vibrate at least a portion of the implement to enhance the function of tooth cleaning elements and the delivery of the active agent through capillary action. A variety of active agents can be administered for therapeutic, hygienic, and/or other benefits, such as fresh breath, tooth whitening, or producing sensations of heat, cool, or tingling.

WO 2008/091935 A3

**INTERNATIONAL SEARCH REPORT**

International application No  
PCT/US2008/051778

**A. CLASSIFICATION OF SUBJECT MATTER**  
INV. A46B11/00

According to International Patent Classification (IPC) or to both national classification and IPC

**B. FIELDS SEARCHED**

Minimum documentation searched (classification system followed by classification symbols)  
A46B A61C

Documentation searched other than minimum documentation to the extent that such documents are included in the fields searched

Electronic data base consulted during the international search (name of data base and, where practical, search terms used)  
EPO-Internal

Category*	Citation of document, with indication, where appropriate, of the relevant passages	Relevant to claim No.
X	US 6 371 674 B1 (LERNER) 16 April 2002 (2002-04-16)	1,3,4
Y	column 4, line 17 - column 7, line 37; figure 2	2,12,16
Y	----- DE 100 35 214 A1 (SCHMIDT) 28 February 2002 (2002-02-28) paragraph [0014] page 4, line 8 - line 10; figures 1-3	2
X	----- US 1 973 212 A (KRUEGER) 11 September 1934 (1934-09-11) page 1, line 84 - page 2, line 32; figures 2,3	1,5,6
	----- -/--	

Further documents are listed in the continuation of Box C.       See patent family annex.

- \* Special categories of cited documents :
- \*A\* document defining the general state of the art which is not considered to be of particular relevance
  - \*E\* earlier document but published on or after the international filing date
  - \*L\* document which may throw doubts on priority claim(s) or which is cited to establish the publication date of another citation or other special reason (as specified)
  - \*O\* document referring to an oral disclosure, use, exhibition or other means
  - \*P\* document published prior to the international filing date but later than the priority date claimed
  - \*T\* later document published after the international filing date or priority date and not in conflict with the application but cited to understand the principle or theory underlying the invention
  - \*X\* document of particular relevance; the claimed invention cannot be considered novel or cannot be considered to involve an inventive step when the document is taken alone
  - \*Y\* document of particular relevance; the claimed invention cannot be considered to involve an inventive step when the document is combined with one or more other such documents, such combination being obvious to a person skilled in the art.
  - \*&\* document member of the same patent family

Date of the actual completion of the international search  5 December 2008	Date of mailing of the international search report  12/12/2008
--	--

Name and mailing address of the ISA/ European Patent Office, P.B. 5818 Patentlaan 2 NL - 2280 HV Rijswijk Tel. (+31-70) 340-2040. Fax: (+31-70) 340-3016	Authorized officer  Ionescu, C
--	--------------------------------------

## INTERNATIONAL SEARCH REPORT

International application No

PCT/US2008/051778

C(Continuation). DOCUMENTS CONSIDERED TO BE RELEVANT

Category*	Citation of document, with indication, where appropriate, of the relevant passages	Relevant to claim No.
A	US 3 910 706 A (DEL BON) 7 October 1975 (1975-10-07) page 2, line 28 - line 30 column 4, line 15 - line 34; figure 1 -----	1-6
X	WO 2006/019289 A (SEDANO ET SEDANO) 23 February 2006 (2006-02-23) abstract; figures 7,9 -----	12,13, 17,20
X	US 6 203 320 B1 (WILLIAMS ET AL) 20 March 2001 (2001-03-20) column 2, line 62 - column 3, line 59; figures 1,2 -----	12,14, 15,17-20
Y	EP 1 639 913 A (TRISA) 29 March 2006 (2006-03-29)	12,16
A	paragraphs [0074], [0083]; figure 28 -----	1-6
P,X	WO 2007/073917 A (UNILEVER) 5 July 2007 (2007-07-05)  page 1, lines 30-35 page 3, lines 2,3 page 5, lines 12-15 page 9, lines 9-35; figures 1-3 -----	7-12,14, 15,17, 18,20
A	GB 2 394 653 A (SIERADZKI) 5 May 2004 (2004-05-05) page 1, line 28 - page 5, line 18; figures 1-3 -----	2
A	US 3 685 080 A (HUBNER) 22 August 1972 (1972-08-22) column 1, lines 60-62; figure 1 -----	12,13

# INTERNATIONAL SEARCH REPORT

International application No.  
PCT/US2008/051778

## Box No. II Observations where certain claims were found unsearchable (Continuation of item 2 of first sheet)

This international search report has not been established in respect of certain claims under Article 17(2)(a) for the following reasons:

1.  Claims Nos.:  
because they relate to subject matter not required to be searched by this Authority, namely:
  
2.  Claims Nos.:  
because they relate to parts of the international application that do not comply with the prescribed requirements to such an extent that no meaningful international search can be carried out, specifically:
  
3.  Claims Nos.:  
because they are dependent claims and are not drafted in accordance with the second and third sentences of Rule 6.4(a).

## Box No. III Observations where unity of invention is lacking (Continuation of item 3 of first sheet)

This International Searching Authority found multiple inventions in this international application, as follows:

see additional sheet

1.  As all required additional search fees were timely paid by the applicant, this international search report covers allsearchable claims.
  
2.  As all searchable claims could be searched without effort justifying an additional fees, this Authority did not invite payment of additional fees.
  
3.  As only some of the required additional search fees were timely paid by the applicant, this international search report covers only those claims for which fees were paid, specifically claims Nos.:
  
4.  No required additional search fees were timely paid by the applicant. Consequently, this international search report is restricted to the invention first mentioned in the claims; it is covered by claims Nos.:

### Remark on Protest

- The additional search fees were accompanied by the applicant's protest and, where applicable, the payment of a protest fee.
- The additional search fees were accompanied by the applicant's protest but the applicable protest fee was not paid within the time limit specified in the invitation.
- No protest accompanied the payment of additional search fees.

This International Searching Authority found multiple (groups of) inventions in this international application, as follows:

1. claims: 1-6

Oral care implement having an outlet opposite to the tooth cleaning element.  
---

2. claims: 7-11

Oral care implement with overflow chamber.  
---

3. claims: 12-20

Oral care implement with vibration device.  
---

# INTERNATIONAL SEARCH REPORT

Information on patent family members

International application No PCT/US2008/051778
---

Patent document cited in search report	Publication date	Patent family member(s)	Publication date
US 6371674	B1	16-04-2002	NONE
DE 10035214	A1	28-02-2002	NONE
US 1973212	A	11-09-1934	NONE
US 3910706	A	07-10-1975	NONE
WO 2006019289	A	23-02-2006	MX JL04000025 A 22-02-2006
US 6203320	B1	20-03-2001	NONE
EP 1639913	A	29-03-2006	WO 2006032367 A1 30-03-2006 US 2008014010 A1 17-01-2008
WO 2007073917	A	05-07-2007	EP 1976411 A1 08-10-2008
GB 2394653	A	05-05-2004	NONE
US 3685080	A	22-08-1972	NONE