



(12) **United States Design Patent**
Houle

(10) **Patent No.:** **US D876,569 S**
(45) **Date of Patent:** **** *Feb. 25, 2020**

- (54) **QUIVER**
- (71) Applicant: **PLACEMENTS GASTON HOULE INC.**, Wickham (CA)
- (72) Inventor: **Gaston Houle**, Wickham (CA)
- (73) Assignee: **Placements Gaston Houle inc.**, Wickham, Quebec (CA)
- (*) Notice: This patent is subject to a terminal disclaimer.
- (**) Term: **15 Years**
- (21) Appl. No.: **29/649,222**
- (22) Filed: **May 29, 2018**
- (51) **LOC (12) Cl.** **22-01**
- (52) **U.S. Cl.**
USPC **D22/107**
- (58) **Field of Classification Search**
USPC D22/100, 101, 103, 104, 105, 108, 107, D22/109, 110, 111, 199; D21/567, 569, D21/570, 571, 573, 574, 575
CPC F41G 1/30; F41G 3/26; F42B 5/28; F41C 23/16; F41A 23/16; F41A 23/18; F41A 9/83; F41A 33/00
See application file for complete search history.

- 2,980,305 A 4/1961 Reese
- 2,999,620 A 9/1961 Haggard
- 3,108,725 A 10/1963 Ramsey
- 3,114,485 A 12/1963 Whiffen
- 3,166,730 A 1/1965 Brown
- 3,209,740 A 10/1965 Hauch
- 3,286,961 A 11/1966 Mandolari
- 3,465,928 A 9/1969 Osterholm
- 3,591,062 A 7/1971 Karbo
- 3,595,214 A 7/1971 O'Malley
- 3,601,113 A 8/1971 Wilkie
- 3,696,978 A 10/1972 Gentellalli

(Continued)

OTHER PUBLICATIONS

“Arrolok Quiver—This is a Game Changer” [online]. bulletsandbroadsheads. [Published on Aug. 13, 2018]. Retrieved from the Internet: https://www.youtube.com/watch?v=3kUcVSoFc80.*

(Continued)

Primary Examiner — Khawaja Anwar
Assistant Examiner — Mojtaba Tehrani
(74) *Attorney, Agent, or Firm* — Mathieu Audet

(57) **CLAIM**

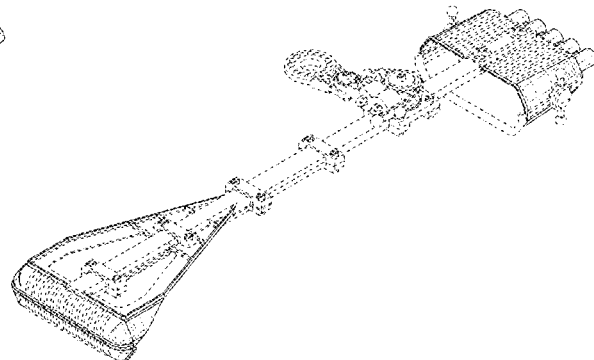
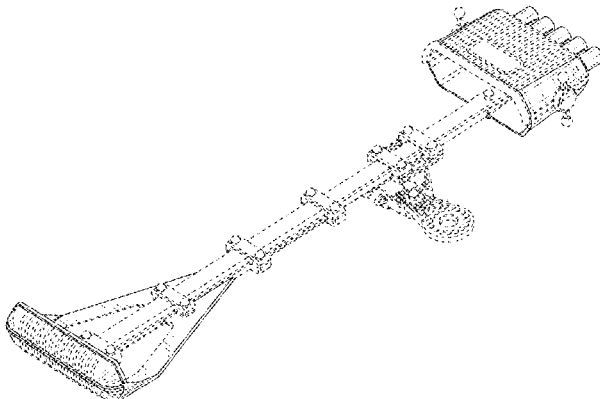
The ornamental design for a quiver, as shown and described.

DESCRIPTION

FIG. 1 is a top-rear isometric view of a quiver, showing my new design;
FIG. 2 is a bottom-rear isometric view thereof;
FIG. 3 is a top plan view thereof;
FIG. 4 is a bottom plan view thereof;
FIG. 5 is a left side elevation view thereof;
FIG. 6 is a right side elevation view thereof;
FIG. 7 is a front elevation view thereof; and,
FIG. 8 is a back elevation view thereof.
The broken lines in the drawings depict unclaimed portion of the quiver only and form no part of the claimed design.

1 Claim, 8 Drawing Sheets

- (56) **References Cited**
U.S. PATENT DOCUMENTS
- 2,464,068 A 3/1949 Bear
- 2,691,399 A 10/1954 Tompkins
- 2,722,958 A 11/1955 King
- 2,746,658 A 5/1956 Freid
- 2,768,669 A 10/1956 Kinnee
- 2,771,620 A 11/1956 Hoffman
- 2,816,696 A 12/1957 Stockfleth
- 2,954,764 A 10/1960 Stinson
- 2,969,898 A 1/1961 Ramsey



(56)

References Cited

U.S. PATENT DOCUMENTS

3,766,954 A 10/1973 Gentellalli
 D248,040 S * 5/1978 Stinson D22/107
 4,156,496 A 5/1979 Stinson
 4,247,027 A 1/1981 Tardiff
 4,363,312 A 12/1982 Spitzke
 4,522,187 A 6/1985 Tafel
 4,541,403 A 9/1985 DeBlois
 4,607,606 A 8/1986 Schaar
 4,621,606 A * 11/1986 Toth F41B 5/066
 124/24.1
 4,685,438 A 8/1987 Larson
 4,697,350 A 10/1987 Shepley
 4,704,800 A * 11/1987 Stinson F41G 1/467
 124/25.7
 4,785,791 A 11/1988 Sloop
 4,823,764 A 4/1989 Knaack
 4,869,226 A 9/1989 Wu
 D311,641 S * 10/1990 Martin D22/107
 4,995,372 A 2/1991 Topel
 D331,319 S * 12/1992 Stinson D22/107
 5,215,070 A 6/1993 Brown
 D339,184 S * 9/1993 Warner D22/107
 5,259,359 A 11/1993 Meredith
 5,265,584 A * 11/1993 Judson F41B 5/066
 124/25.7
 5,425,703 A 6/1995 Feiring
 5,566,665 A 10/1996 Stinson
 5,775,314 A 7/1998 Michael
 6,006,734 A * 12/1999 Sodaro F41B 5/066
 124/25.5
 6,050,252 A 4/2000 Etheridge
 6,105,566 A 8/2000 Tiedemann
 6,330,881 B1 12/2001 Pippard
 6,568,382 B2 5/2003 Martin
 6,763,817 B2 7/2004 Nickell
 7,077,119 B1 7/2006 Dube, Sr.
 7,367,331 B1 * 5/2008 Horinek F41B 5/066
 124/25.5
 7,461,647 B1 12/2008 Slinkard
 7,987,842 B2 * 8/2011 McPherson F41B 5/066
 124/86
 8,006,682 B2 8/2011 Vanek
 8,434,467 B2 * 5/2013 LoRocco F41B 5/066
 124/86

8,714,147 B2 * 5/2014 Walk F41B 5/066
 124/86
 D715,391 S * 10/2014 Choma D22/107
 D771,375 S * 11/2016 Noland D3/221
 2008/0302346 A1 * 12/2008 Notestine F41B 5/066
 124/25.7
 2011/0277739 A1 11/2011 Blais
 2013/0081604 A1 * 4/2013 Lee F41B 5/066
 124/88

OTHER PUBLICATIONS

BCQuiver, Jan. 1, 2016, USA, <http://ranchosafari.com/product/bcquiver/>.
 Rancho-Safari-Catalog-Oct. 2018, Oct. 1, 2018, USA, <http://ranchosafari.com/wp-content/uploads/2018/10/Rancho-Safari-Catalog-Oct.2018.pdf>.
 Allen Platinum Series Quivers, May 21, 2014, USA, Shooters Sporting Center, <http://www.shootersnj.com/product/allen-platinum-series-quivers-169194>.
 G5 Mag-Loc Quiver, May 21, 2014, USA, Bowhunting.net, <http://bowhunting.net/2010/12/g5-mag-loc-quiver/>.
 Great Northern Quivers, May 21, 2014, USA, The Footed Shaft, http://www.footedshaftllc.com/catalog/index.php?main_page=index&main.
 Quality Bow Mounted Hunting Quivers, May 21, 2014, USA, Hunter's Friend Europe, <http://www.huntersfriend.eu/england/quivers-en/quivers-en.html>.
 Kanati Angle Bow Quiver, Anneewakee Archery, May 21, 2014, USA, [kanatiquiver.com](http://www.kanatiquiver.com), <http://www.kanatiquiver.com/Dualare.html>.
 Quiver—Catalog, May 21, 2014, USA, [fuelthehunt.com](http://www.fuelthehunt.com), <http://www.fuelthehunt.com/quiver1pc.php>.
 Alpine soft loc quiver, May 21, 2014, USA, [alpinearchery.com](http://www.alpinearchery.com), <http://www.alpinearchery.com/sloc5arrow.html>/<http://www.alpinearchery.com/2013sofflochome.html>.
 Tight Spot Quivers, May 21, 2014, USA, [tightspot.com](http://www.tightspot.com), <http://www.tightspotquiver.com/reason-vibration>.
 Top Mount Quiver Bracket Option for Scorpyd Crossbow, May 21, 2014, USA, [crossbownation.com](http://www.crossbownation.com), <http://www.crossbownation.com/forum/topic/16298-top-mount-quiver-bownation>.
 Top Quivers and Arrow Cases for Bowhunters, May 21, 2014, USA, [bowhunter.com](http://www.bowhunter.com), http://www.bowhunter.com/newproducts_top_quivers_and_arrow_cases.

* cited by examiner

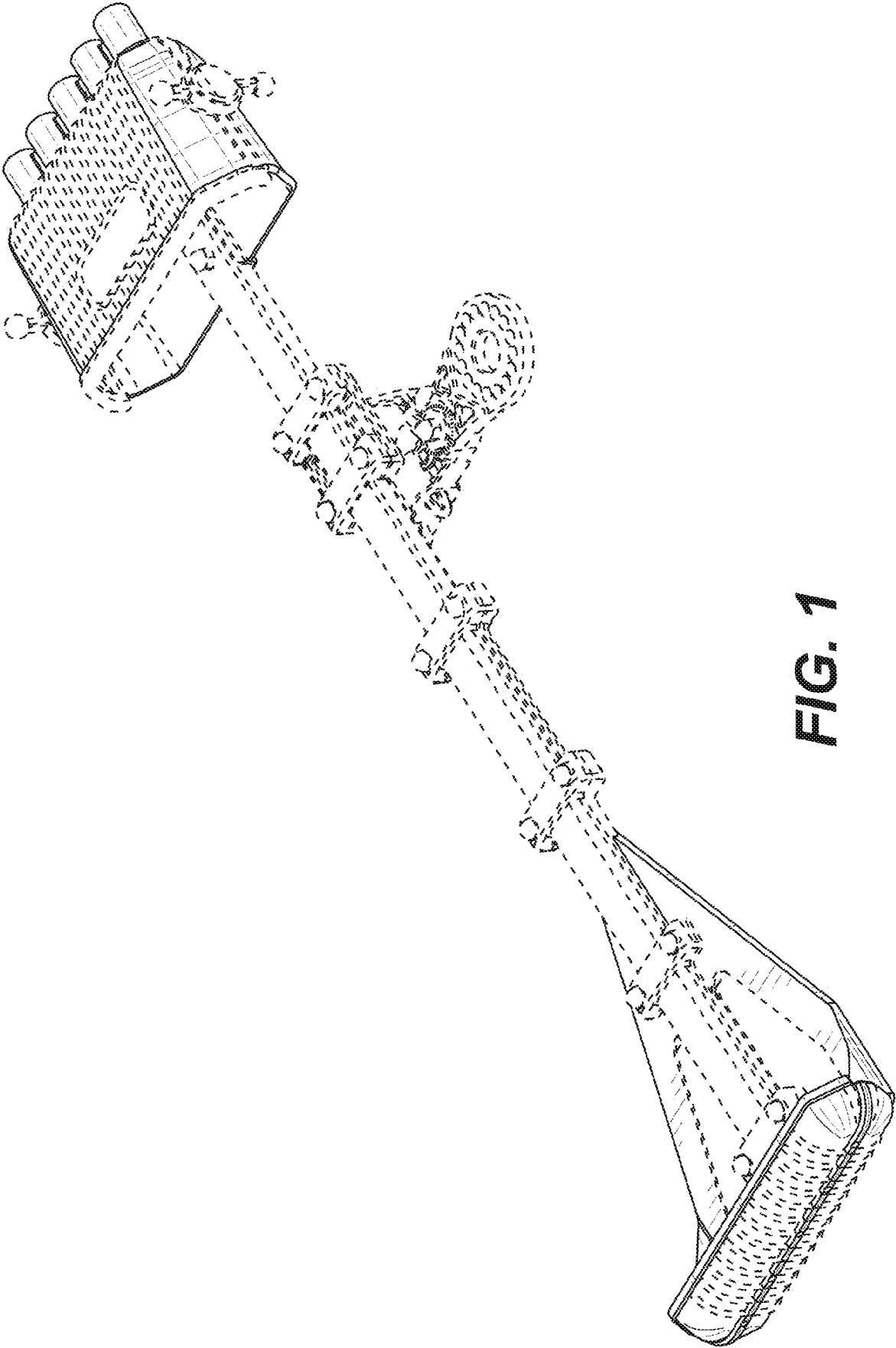


FIG. 1

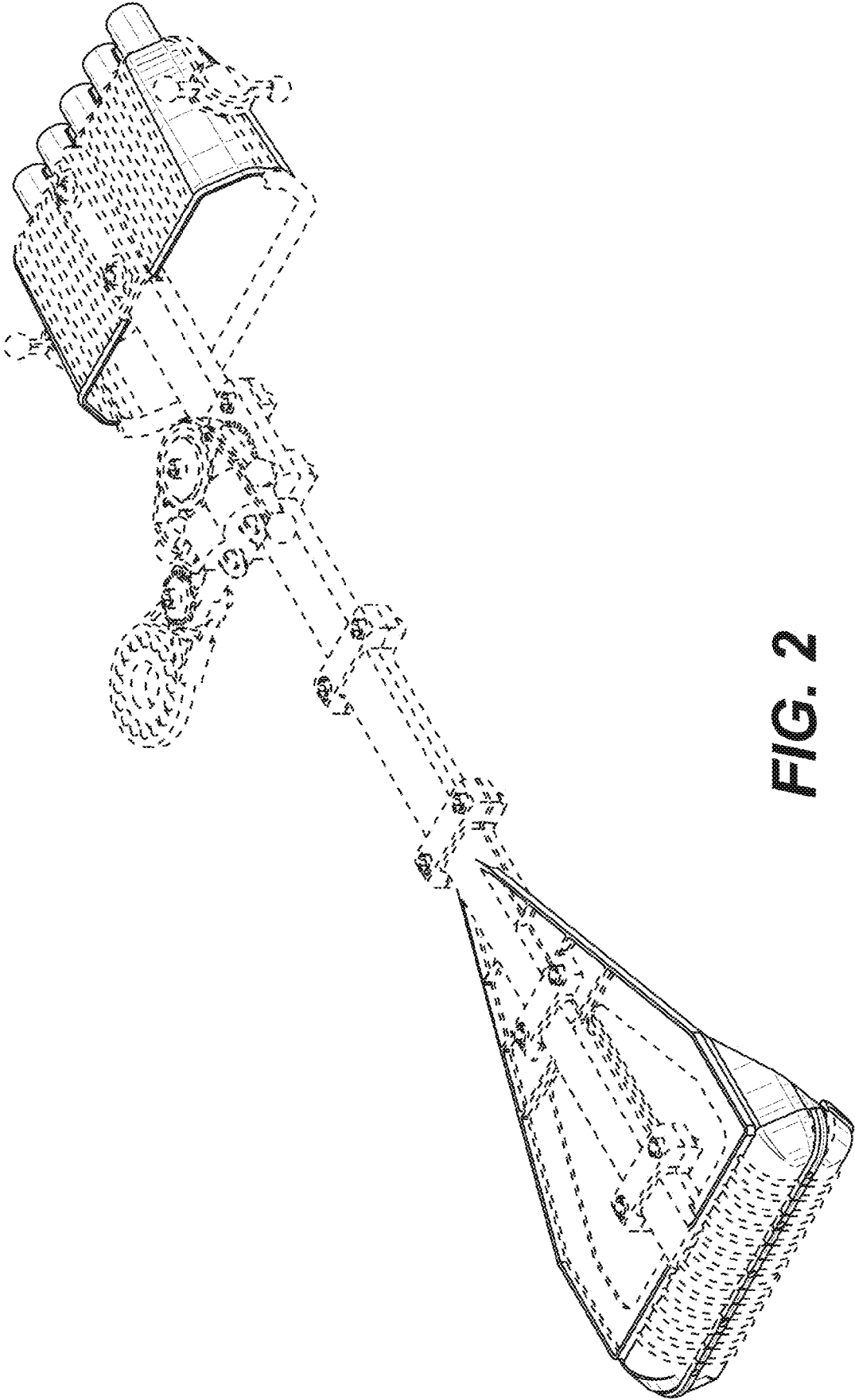


FIG. 2

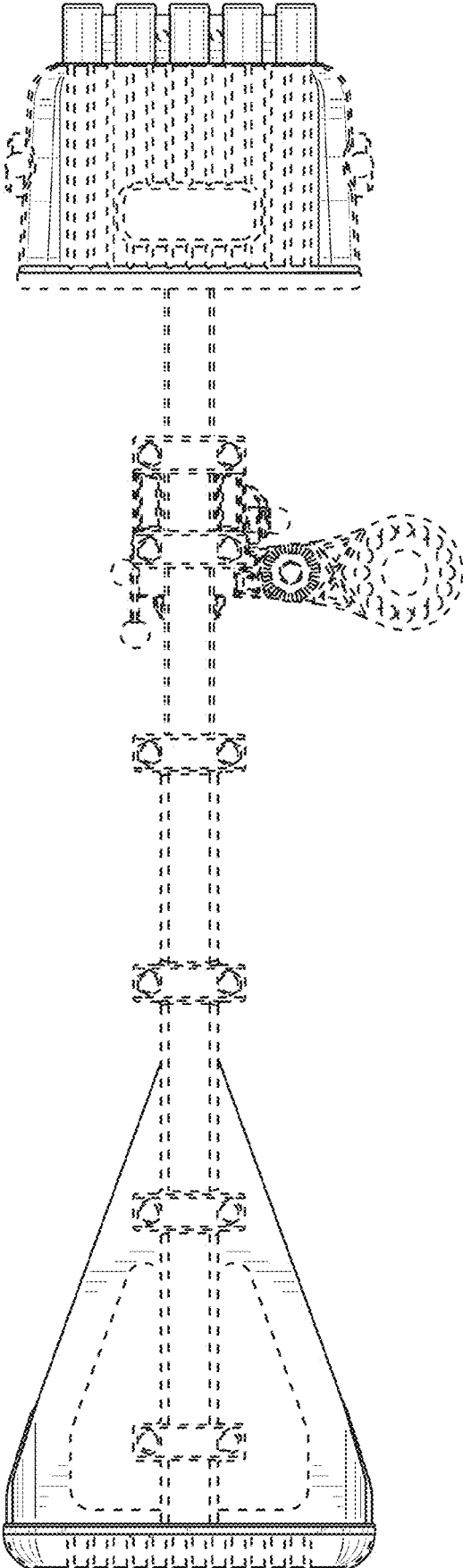


FIG. 3

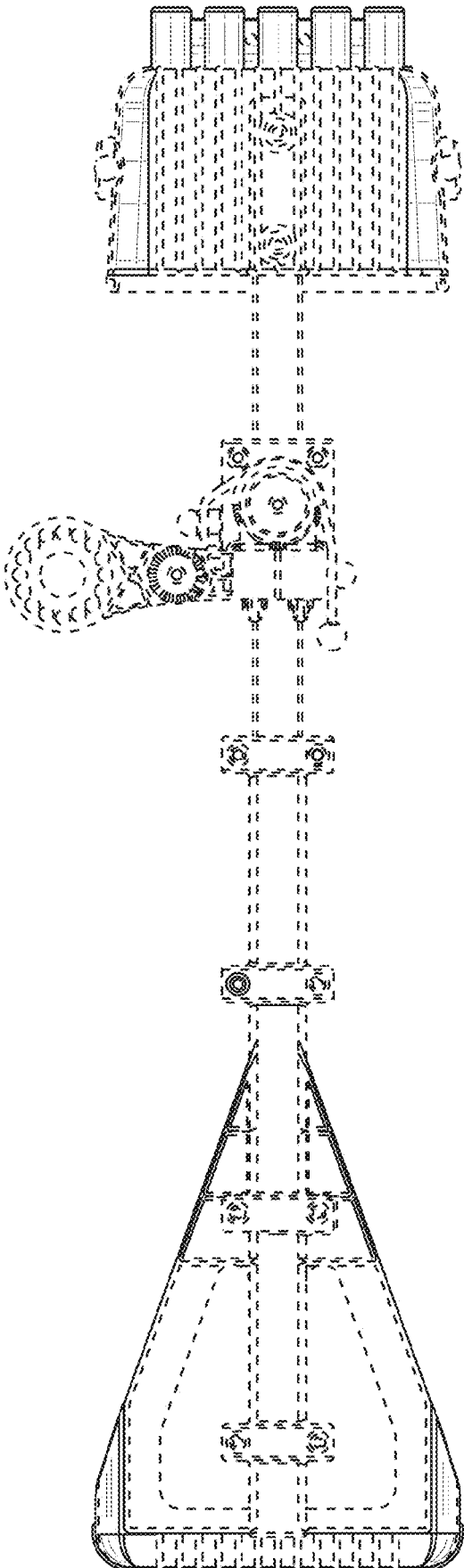


FIG. 4

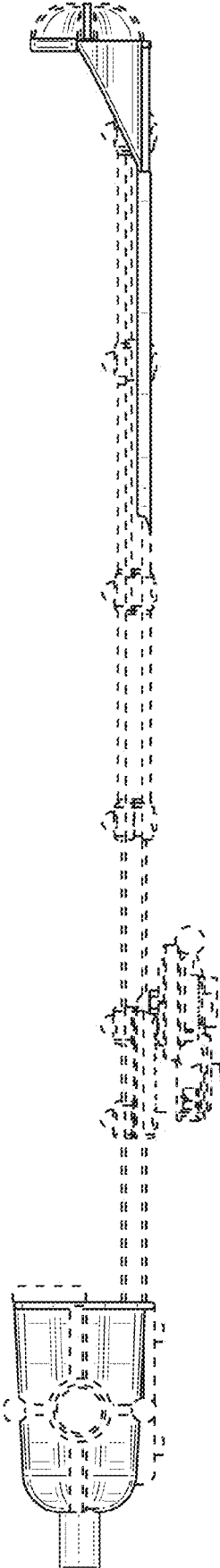


FIG. 5

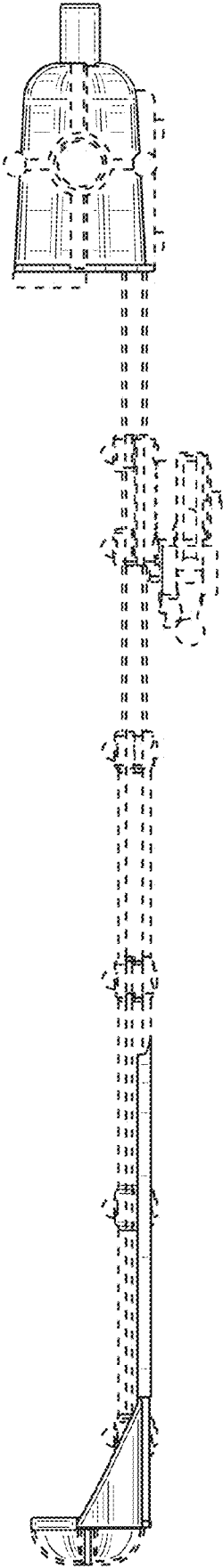


FIG. 6

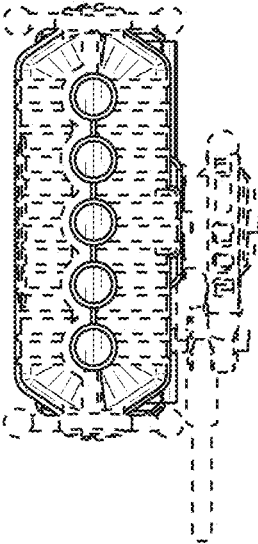


FIG. 7

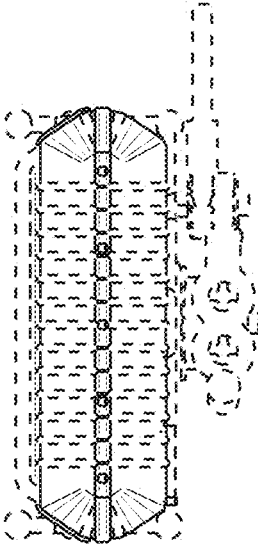


FIG. 8