



US00D997150S

(12) **United States Design Patent**
Weng

(10) **Patent No.:** **US D997,150 S**

(45) **Date of Patent:** **** Aug. 29, 2023**

(54) **CASE FOR ELECTRONIC COMMUNICATION DEVICE**

Primary Examiner — L. A. Grabenstetter

(71) Applicant: **SHENZHEN GUANGYIPENG TECHNOLOGY CO., LTD.**, Shenzhen (CN)

(57) **CLAIM**

The ornamental design for a case for electronic communication device, as shown and described.

(72) Inventor: **Jie Weng**, Shenzhen (CN)

(**) Term: **15 Years**

DESCRIPTION

(21) Appl. No.: **29/842,816**

(22) Filed: **Jun. 16, 2022**

(51) **LOC (14) Cl.** **14-03**

(52) **U.S. Cl.**
USPC **D14/250**

(58) **Field of Classification Search**
USPC D3/201, 218, 247, 249, 269, 303, 327, D3/328; D14/215, 217, 232, 243, 248, D14/249, 250-253, 432, 440; D13/107, D13/108, 118, 119
CPC H04B 1/3888; H04M 1/0283; H04M 1/0202; A45F 2005/028; A45F 2200/0525
See application file for complete search history.

FIG. 1 is front, right, and top perspective view of a case for electronic communication device showing my new design; FIG. 2 is rear, left, and bottom perspective view thereof; FIG. 3 is a front elevational view thereof; FIG. 4 is a rear elevational view thereof; FIG. 5 is a left side elevational view thereof; FIG. 6 is a right side elevational view thereof; FIG. 7 is a top plan view thereof; FIG. 8 is a bottom plan view thereof; FIG. 9 is a partial enlarged view of portion 9 shown in FIG. 1;

FIG. 10 is a partial enlarged view of portion 10 shown in FIG. 2;

FIG. 11 is another rear, left, and bottom perspective view of the case for electronic communication device of FIG. 2, shown in an alternate configuration;

FIG. 12 is an exploded front, right, and top perspective view of the case for electronic communication device of FIG. 1; FIG. 13 is another front, right, and top perspective view of the case for electronic communication device of FIG. 1, shown in a potential condition of use; and, FIG. 14 is another rear, left, and bottom perspective view of the case for electronic communication device of FIG. 2, shown in a potential condition of use.

The dash-dash broken lines in the drawings represent portions of the case for electronic communication device or environmental subject matter that form no part of the claimed design. The dot-dash broken lines represent boundaries of the enlarged portion that form no part of the claimed design.

The dash-dash broken lines in the drawings represent portions of the case for electronic communication device or environmental subject matter that form no part of the claimed design. The dot-dash broken lines represent boundaries of the enlarged portion that form no part of the claimed design.

(56) **References Cited**

U.S. PATENT DOCUMENTS

D709,486	S	*	7/2014	Lin	D14/250
D726,170	S	*	4/2015	Ng	D14/250
D794,626	S	*	8/2017	Armstrong	D14/250
D848,366	S	*	5/2019	Lian	D13/103

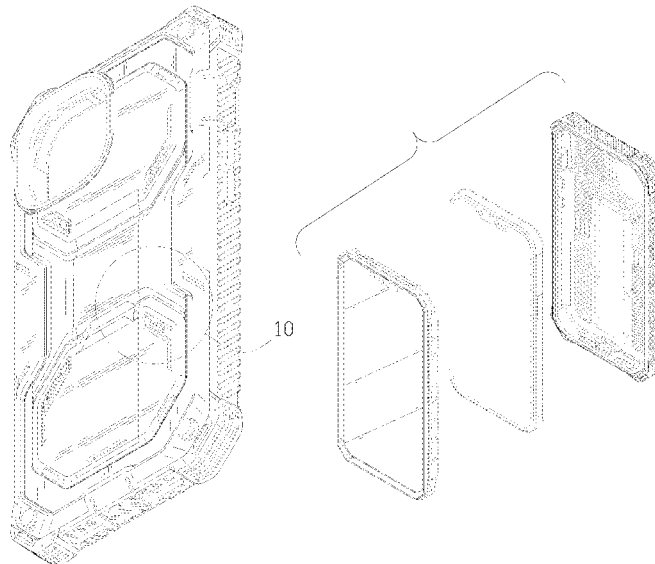
(Continued)

OTHER PUBLICATIONS

Supcase Unicorn Beetle Pro Series Full-Body Rugged Holster Case, publication date Sep. 4, 2020, [online] URL: <https://www.amazon.co.uk/SupCase-Unicorn-Release-Protector-Full-Body/dp/B08HV6Z2QC/> (Year: 2020).*

(Continued)

1 Claim, 14 Drawing Sheets



(56)

References Cited

U.S. PATENT DOCUMENTS

D853,402 S * 7/2019 Yang D14/440
D862,446 S * 10/2019 Jia D14/250
D868,052 S * 11/2019 Jia D14/250
D868,790 S * 12/2019 Weng D14/440
D879,083 S * 3/2020 Feng D14/250
D888,032 S * 6/2020 Armstrong D14/250
D898,016 S * 10/2020 Liang D14/250
D906,338 S * 12/2020 Hyun D14/440
D933,643 S * 10/2021 Liao D14/250
D949,840 S * 4/2022 Ling D14/250
D975,700 S * 1/2023 Gao D14/250
D983,187 S * 4/2023 Ma D14/250
2021/0345741 A1 * 11/2021 Armstrong H04B 1/3888

OTHER PUBLICATIONS

CaseBorne ArmadilloTek V Compatible with iPhone 14, publication date Aug. 4, 2021, [online] URL: <https://www.amazon.com/CaseBorne-ArmadilloTek-Compatible-iPhone-Built/dp/B09BXYKBDZ> (Year: 2021).*

I-Blason Armorbox designed for iPhone 14, publication date Aug. 1, 2022, [online] URL: <https://www.amazon.com/i-Blason-Full-Body-Kickstand-Protective-Protector/dp/B0B87XYX79> (Year: 2022).*

* cited by examiner

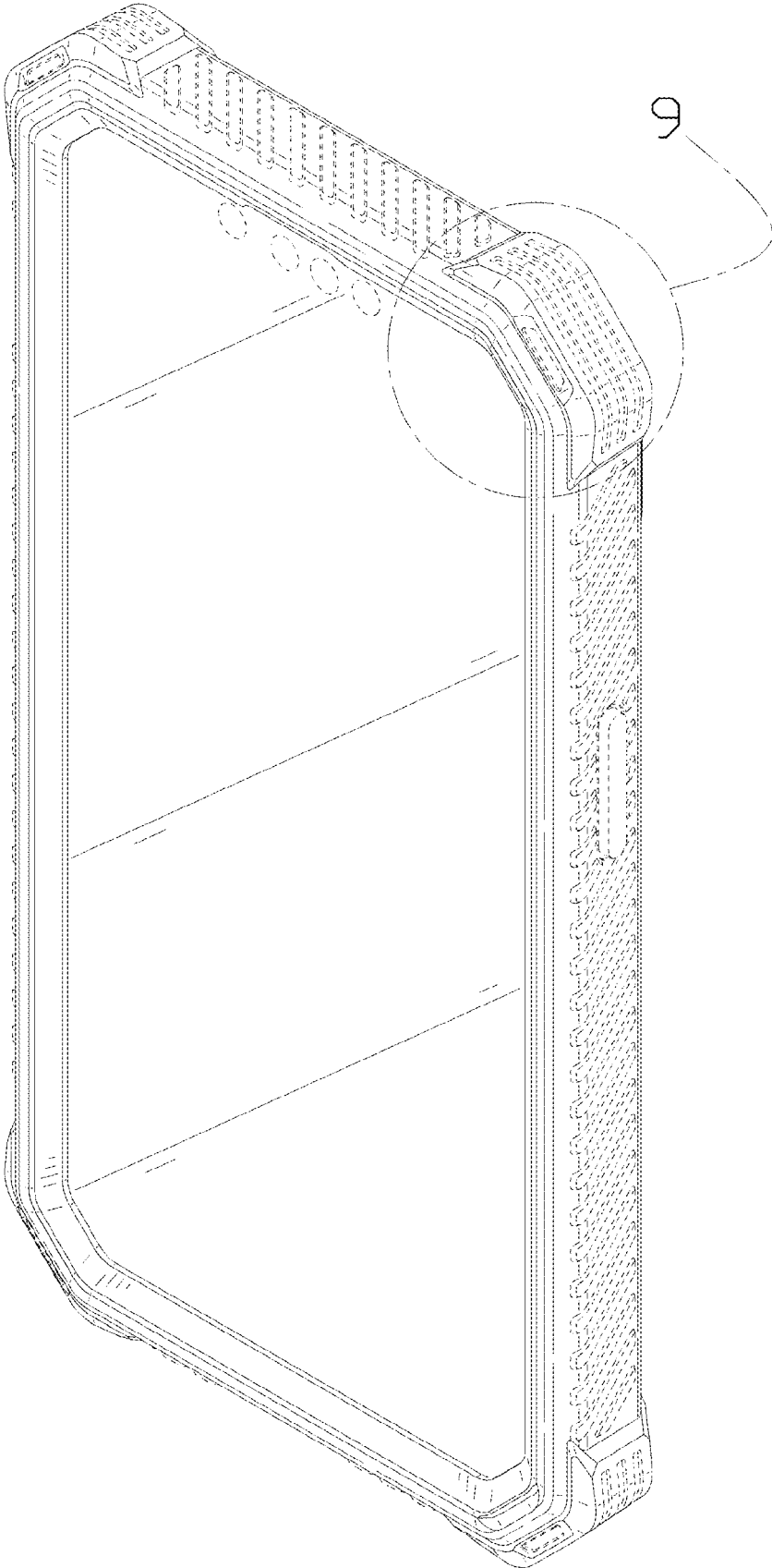


FIG. 1

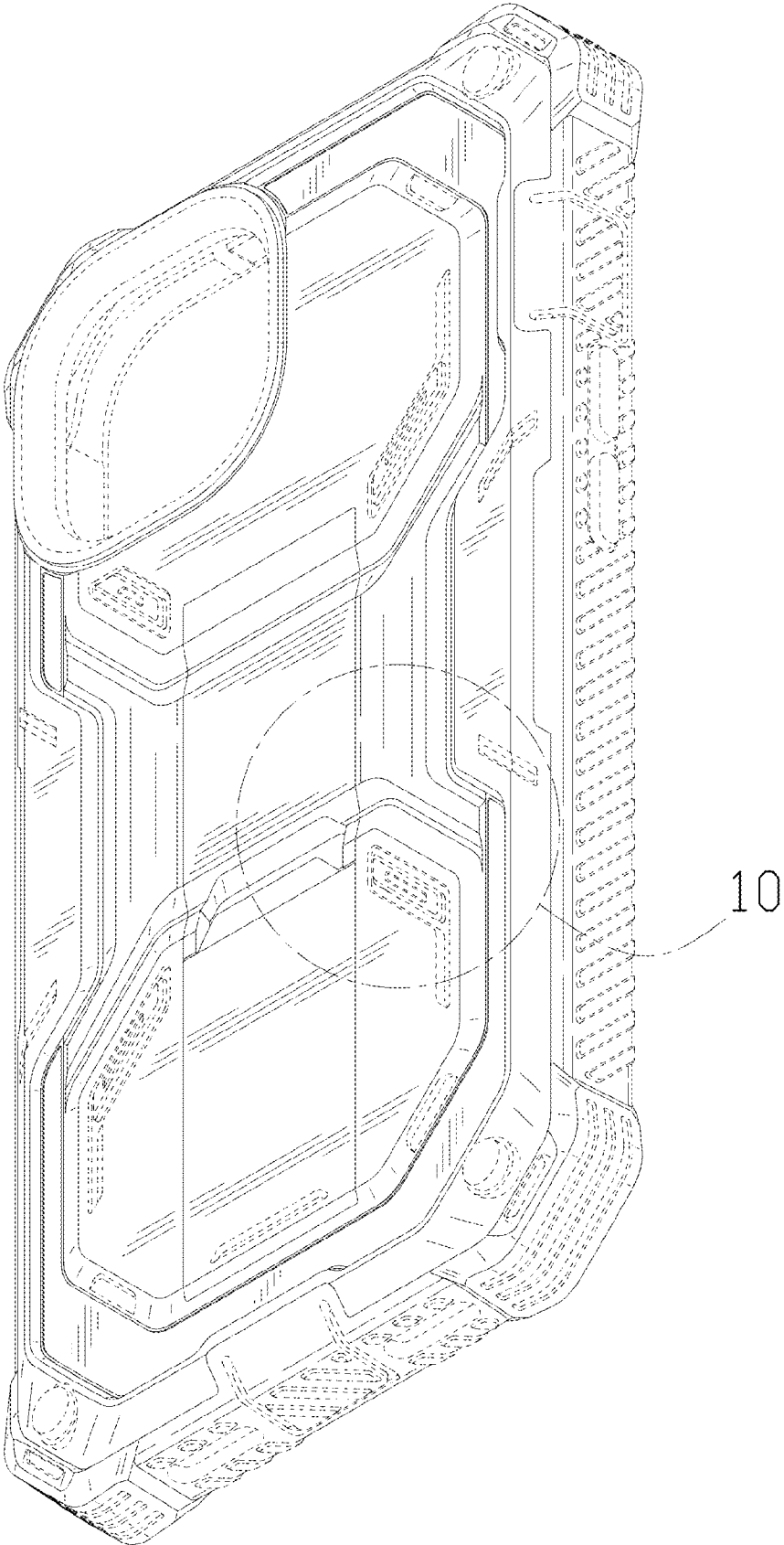


FIG. 2

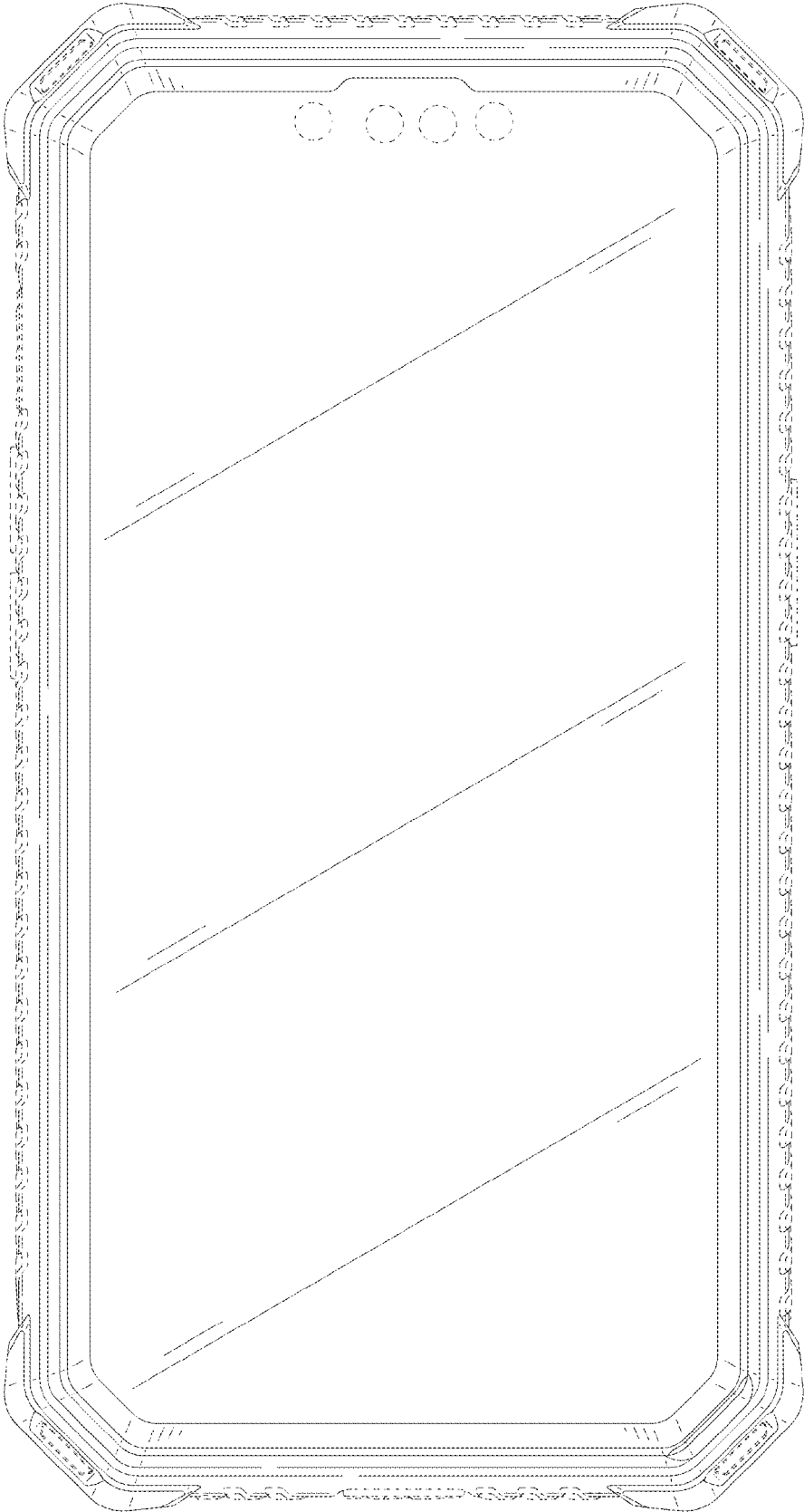


FIG. 3

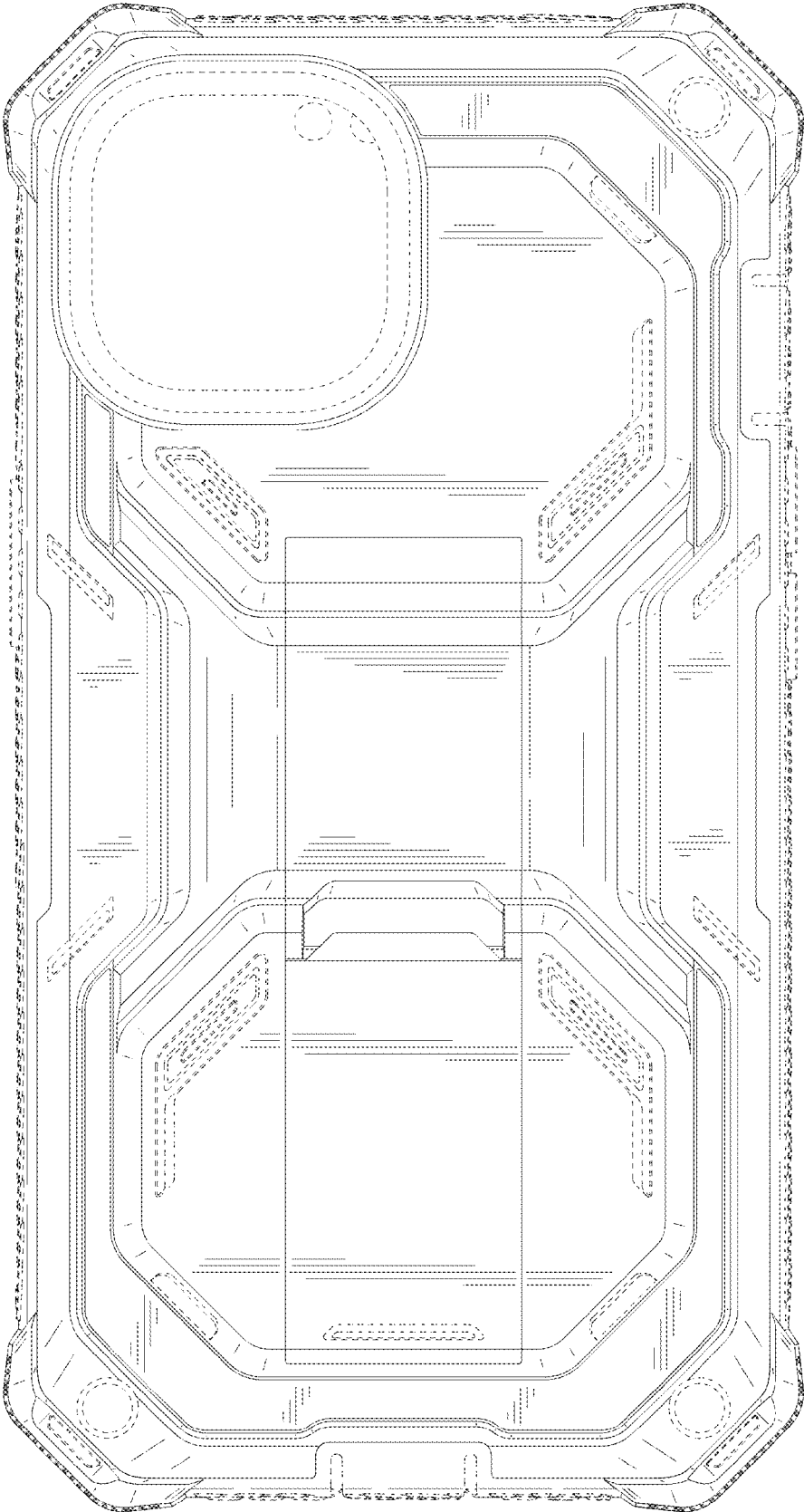


FIG. 4

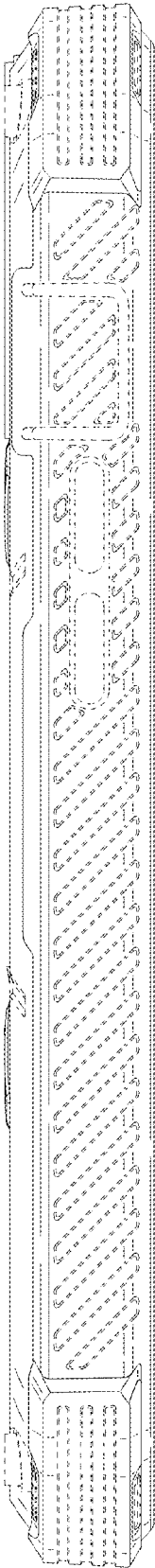


FIG. 5

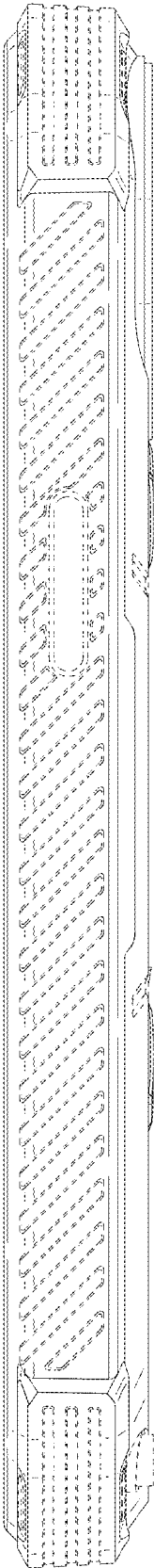


FIG. 6

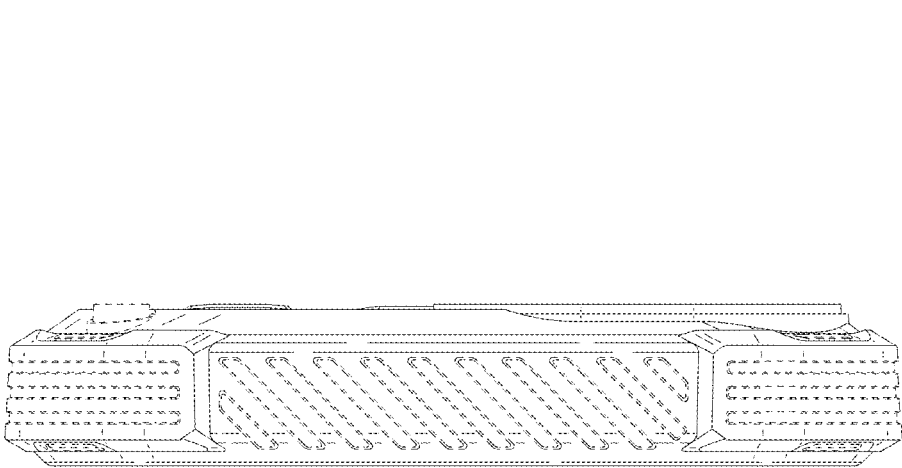


FIG. 7

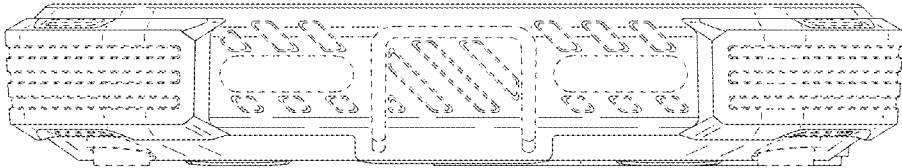


FIG. 8

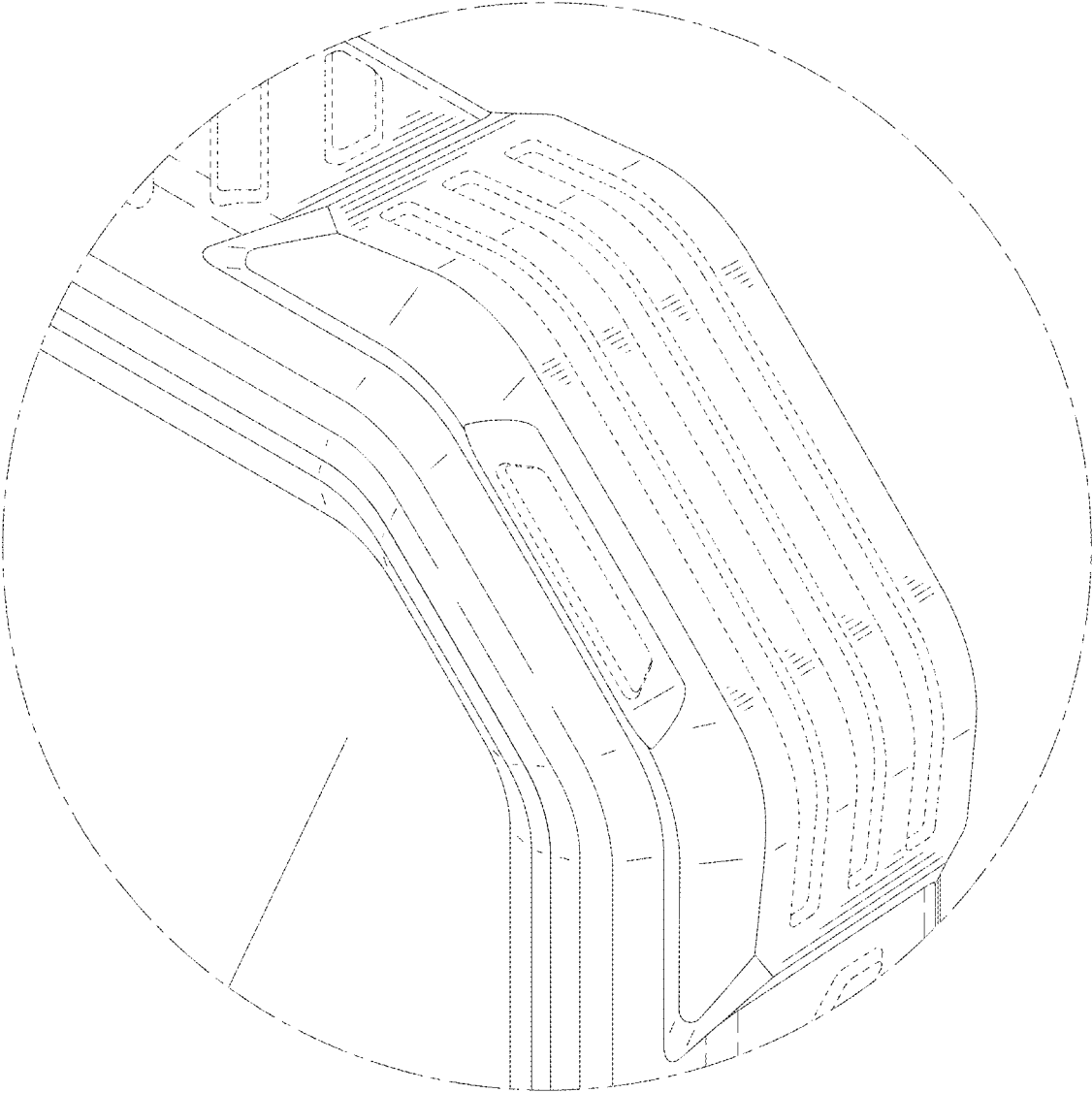


FIG. 9

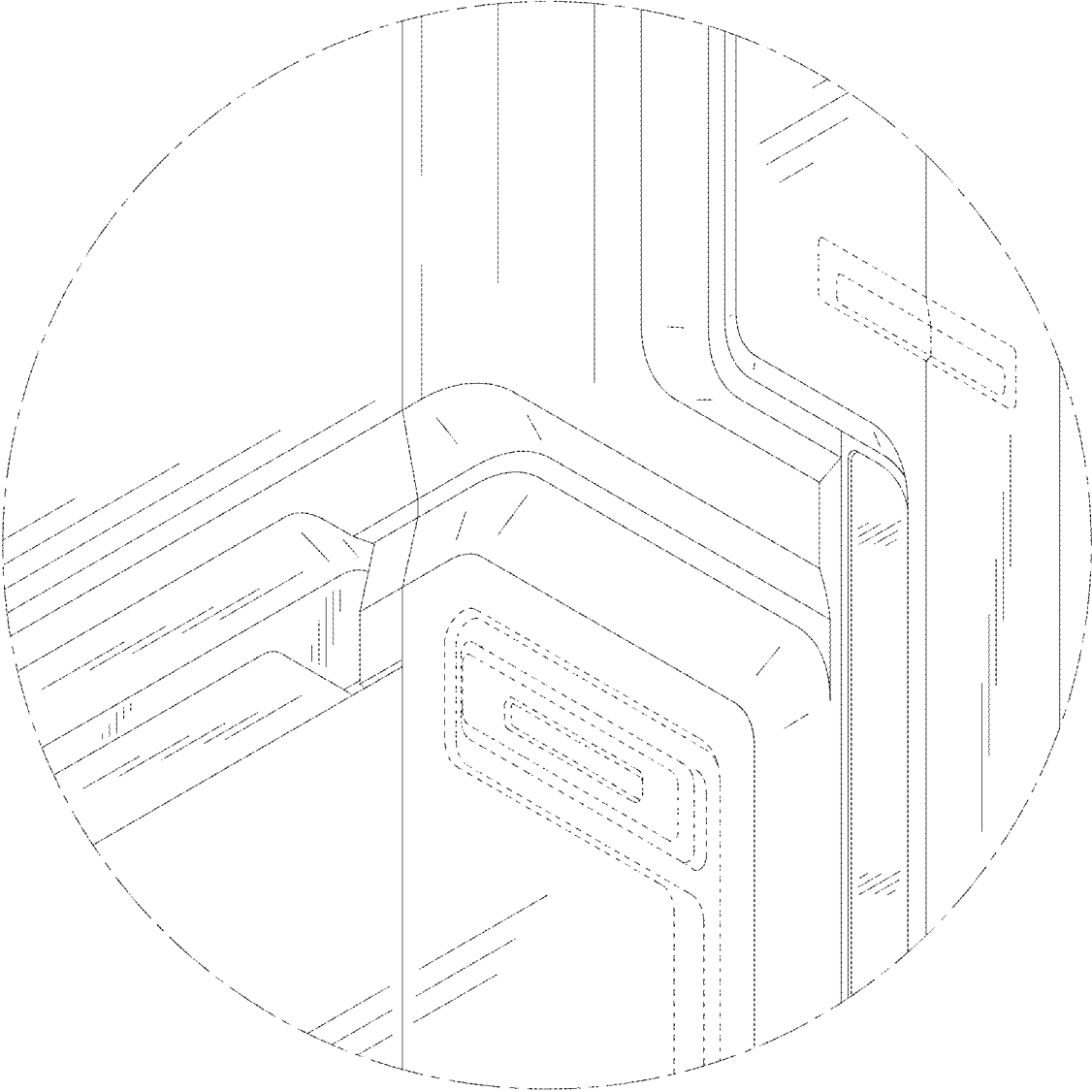


FIG. 10

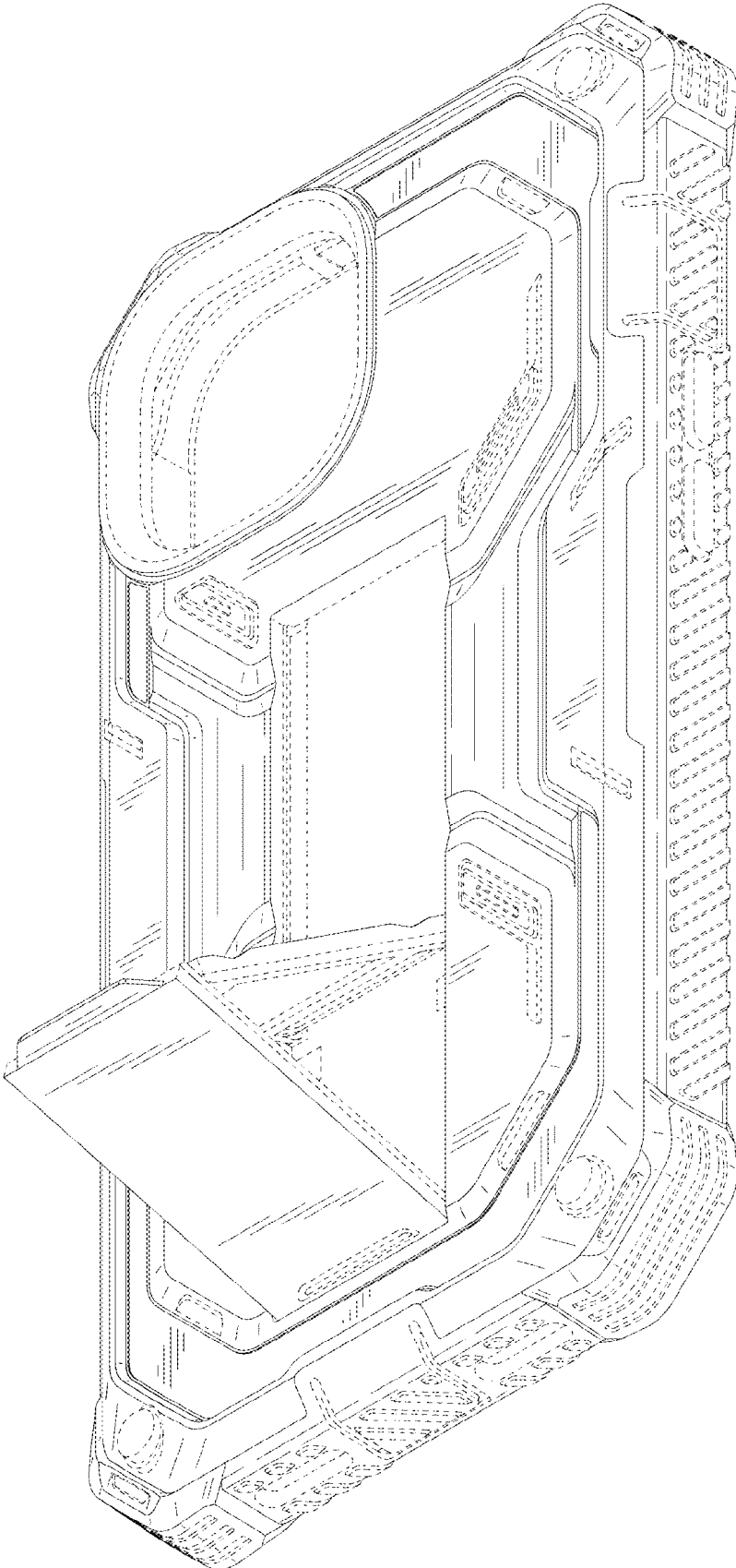


FIG. 11

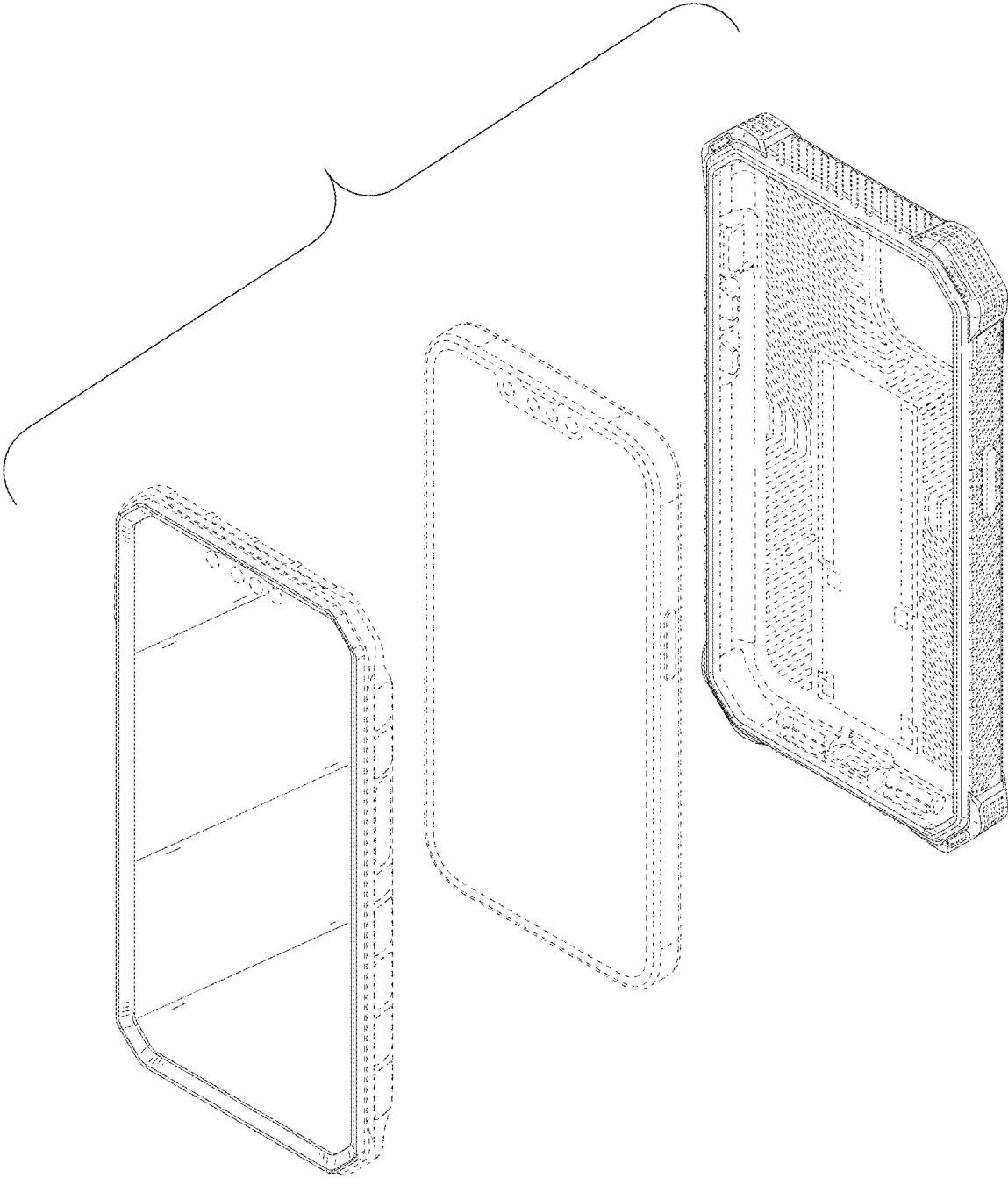


FIG. 12

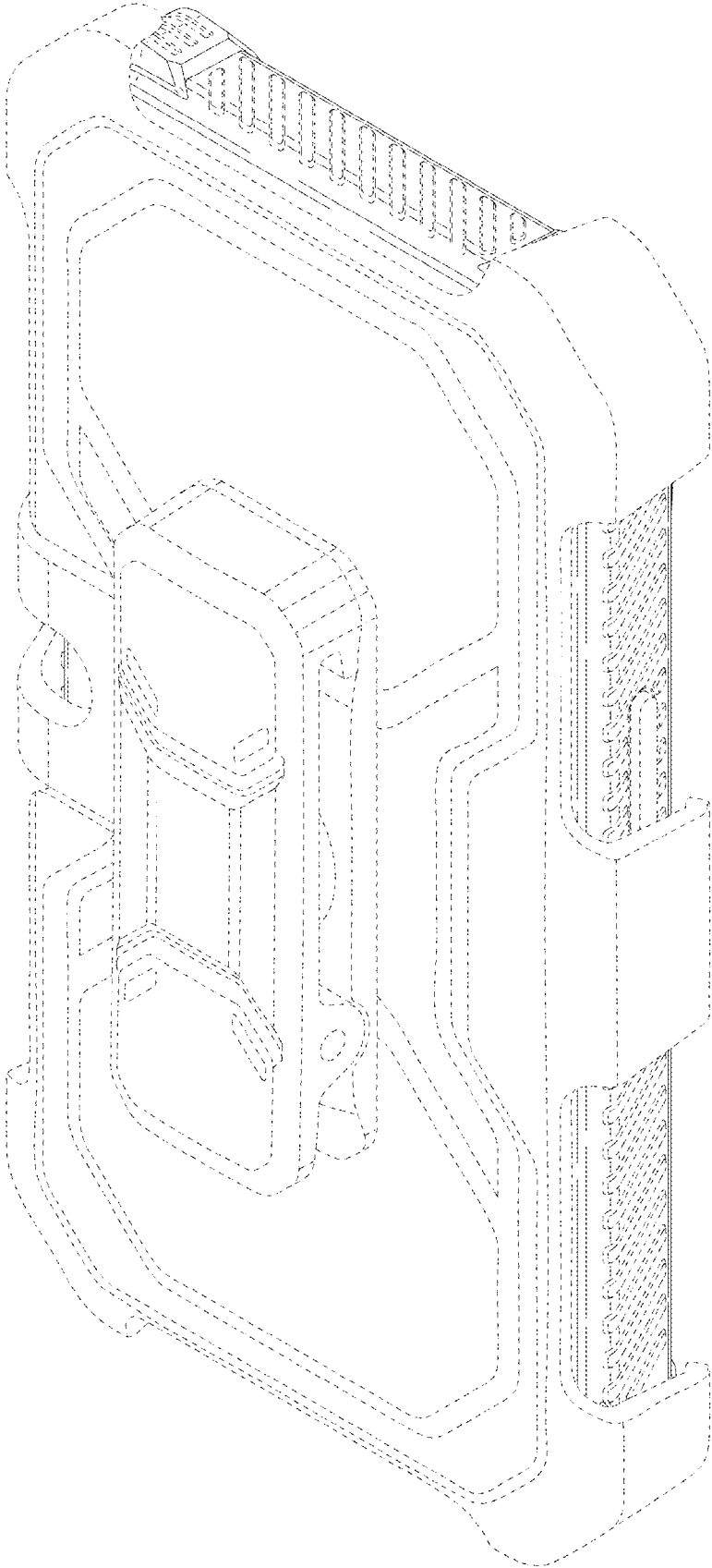


FIG. 13

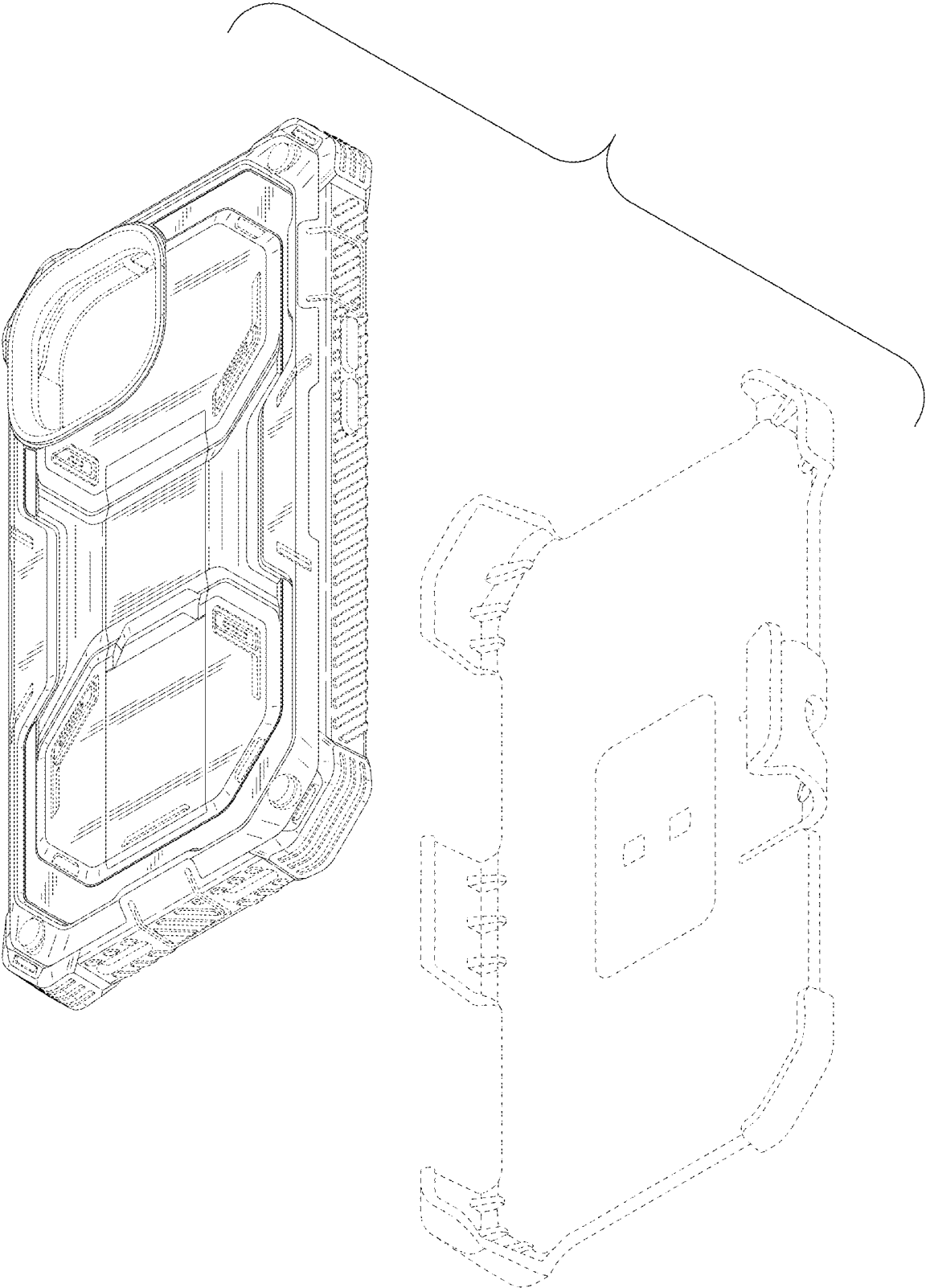


FIG. 14