



US00D416487S

United States Patent [19] Shapiro

[11] Patent Number: **Des. 416,487**

[45] Date of Patent: **** Nov. 16, 1999**

[54] **OUTER COVER FOR ONE-TIME-USE CAMERA**

[75] Inventor: **James L. Shapiro**, Rochester, N.Y.

[73] Assignee: **Eastman Kodak Company**, Rochester, N.Y.

[**] Term: **14 Years**

[21] Appl. No.: **29/092,060**

[22] Filed: **Aug. 11, 1998**

[51] **LOC (6) Cl.** **09-03**

[52] **U.S. Cl.** **D9/432; D9/433; D16/208; D16/237**

[58] **Field of Search** **D9/337, 418, 432, D9/433; D16/200-205, 208, 237; 206/316.2, 455, 456; 396/6, 60, 375, 440, 511, 535**

[56] **References Cited**

U.S. PATENT DOCUMENTS

D. 346,176	4/1994	Nihei	D16/208 X
D. 371,069	6/1996	Chapman et al.	D9/337
D. 381,902	8/1997	Chapman et al.	D9/433
3,053,299	9/1962	Lang	206/316.2
5,488,445	1/1996	Oi et al.	396/6
5,506,646	4/1996	Dunsmore et al.	396/6 X

FOREIGN PATENT DOCUMENTS

2338945	2/1975	Germany	206/316.2
985184	3/1965	United Kingdom	206/316.2

Primary Examiner—Nanda Bondade
Attorney, Agent, or Firm—Roger A. Fields

[57] **CLAIM**

The ornamental design for an outer cover for one-time-use camera, as shown and described.

DESCRIPTION

Reference is made commonly assigned copending applications Ser. No. 29/092,499, filed on Aug. 11, 1998, entitled Outer Cover for One-Time-Use Camera and filed in the name of James L. Shapiro, Ser. No. 29/092,059 filed on Aug. 11, 1998, entitled Outer Cover for One-Time-Use Camera and filed in the name of James L. Shapiro, Ser. No. 29/092,058, filed on Aug. 11, 1998, entitled Outer Cover for One-Time-Use Camera and filed in the name of James L. Shapiro.

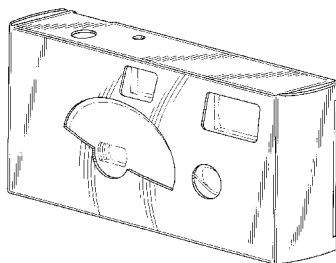
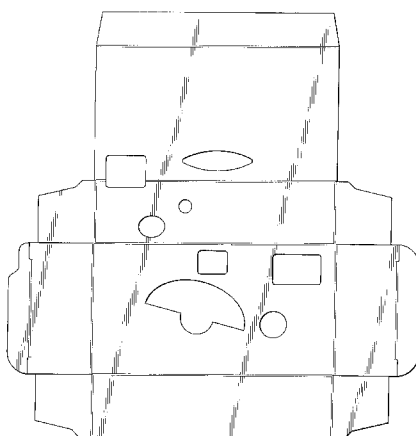
FIG. 1 is a front elevation view of an outer cover for a one-time-use camera, showing my new design; FIG. 2 is a top plan view thereof; FIG. 3 is a bottom plan view thereof; FIG. 4 is a right-side elevation view thereof; FIG. 5 is a left-side elevation view thereof; FIG. 6 is a perspective view of the outer cover of FIGS. 1-5 placed on the one-time-use camera (shown in broken lines), as seen from the front, top and right-side of the one-time-use camera; and,

FIG. 7 is a perspective view of the outer cover of FIGS. 1-5 placed on the one-time-use camera (shown in broken lines), as seen from the rear, bottom, and left-side of the one-time-use camera.

The broken line showing of the one-time-use camera in FIGS. 6 and 7 is for illustrative purposes only and forms no part of the claimed design.

FIGS. 6 and 7 are on an enlarged scale.

1 Claim, 4 Drawing Sheets



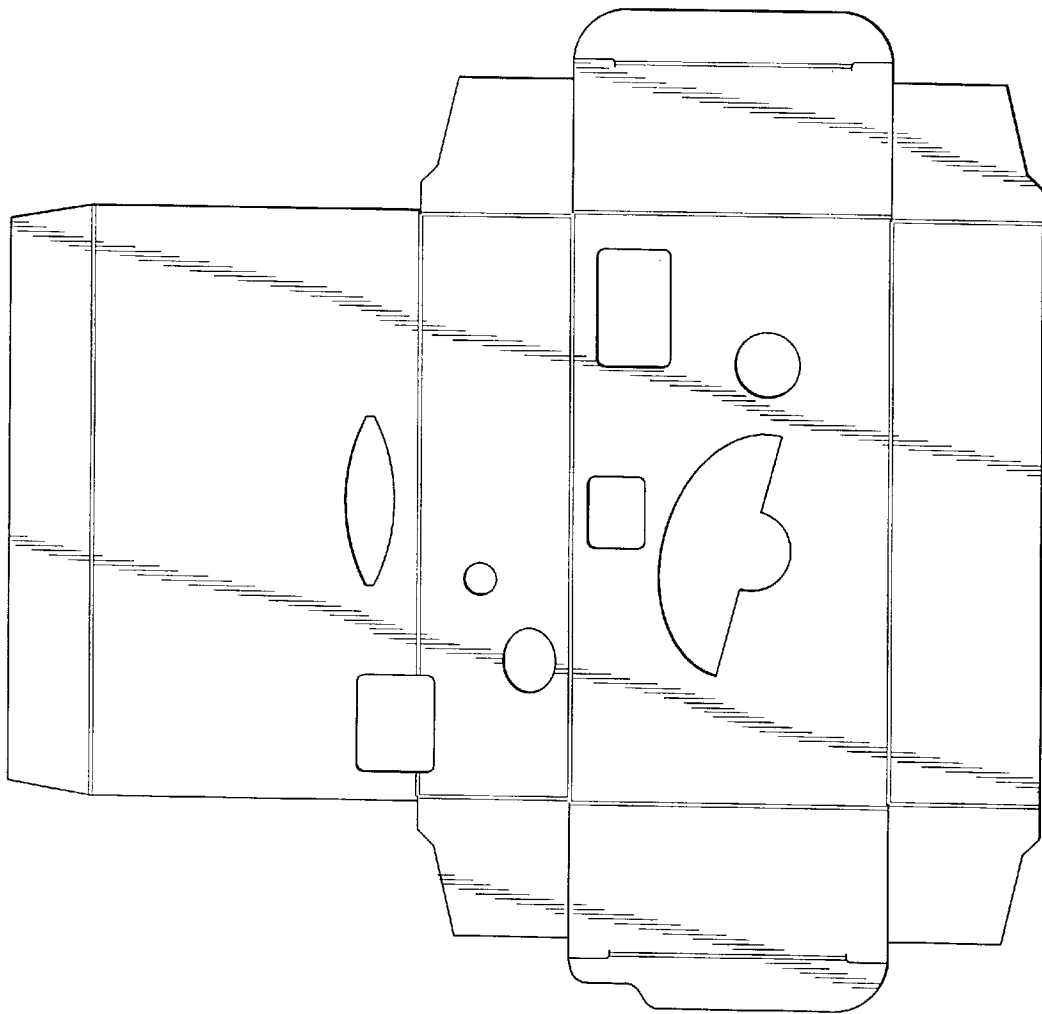


FIG. 1



FIG. 2



FIG. 3

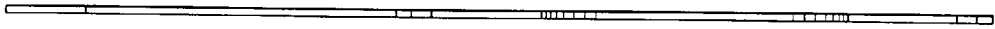


FIG. 4

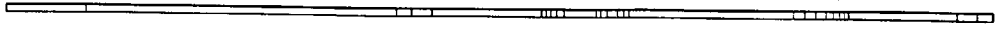


FIG. 5

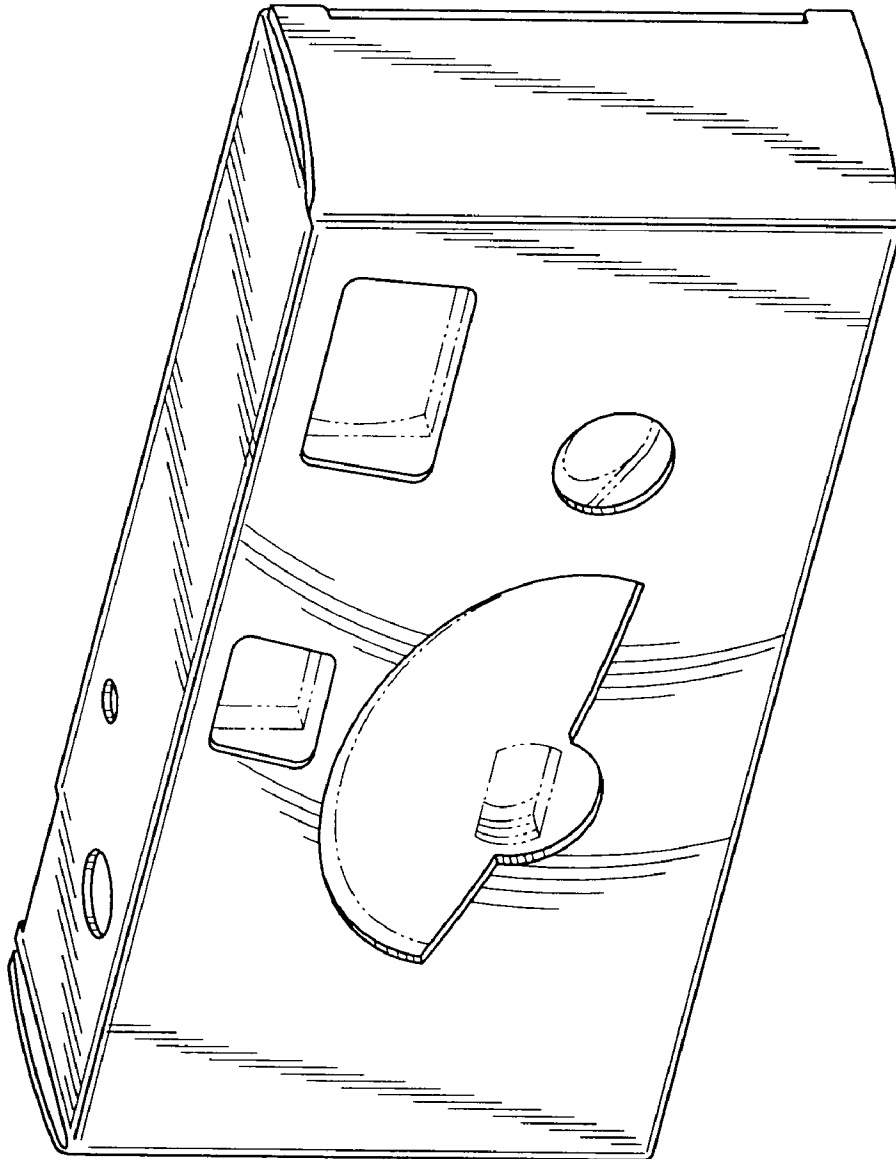


FIG. 6

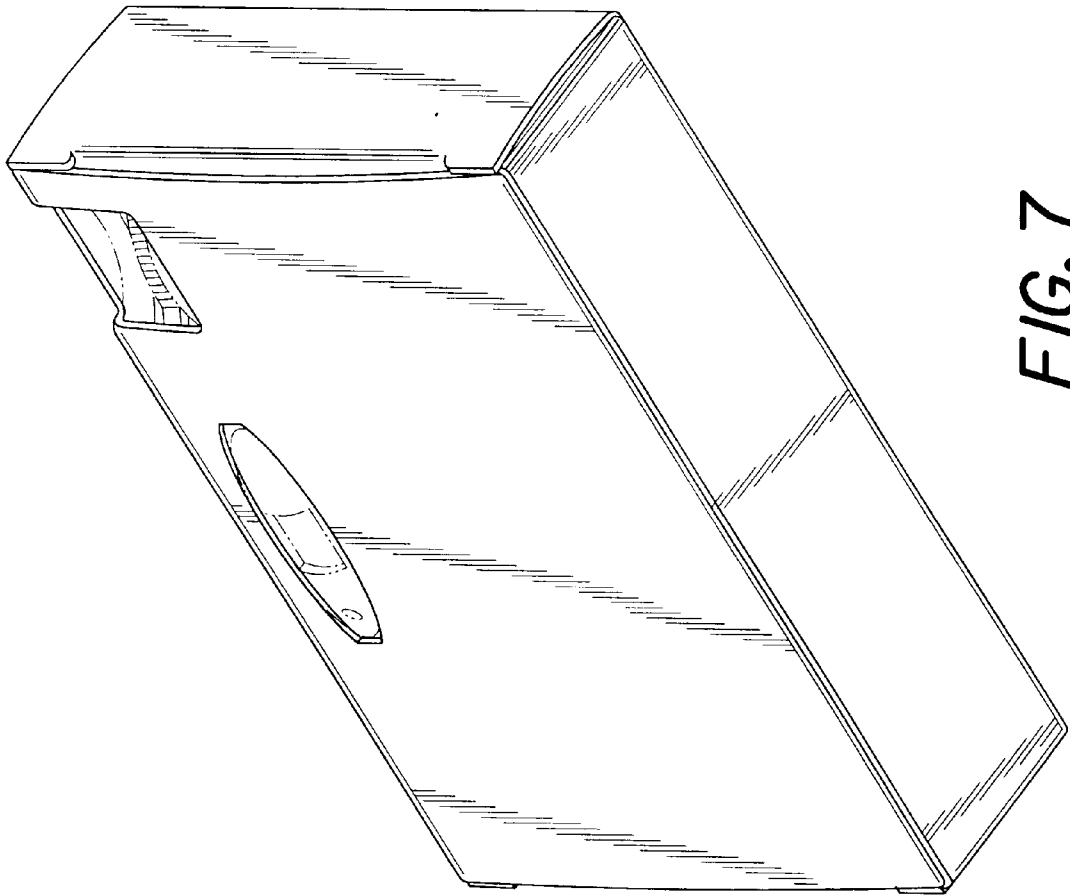


FIG. 7