



US0D1056871S

(12) **United States Design Patent**
Yu

(10) **Patent No.:** **US D1,056,871 S**

(45) **Date of Patent:** **** Jan. 7, 2025**

(54) **SPEAKER**

D800,689 S * 10/2017 Mikalauskas D14/204
D817,925 S * 5/2018 Jang D14/215
D945,979 S * 3/2022 Lu D14/204

(71) Applicant: **Luxsan Technology (Kunshan) Co., Ltd.**, Jiangsu (CN)

* cited by examiner

(72) Inventor: **Chia-Te Yu**, Kunshan (CN)

Primary Examiner — Janice Patyk

(73) Assignee: **LUXSAN TECHNOLOGY (KUNSHAN) CO., LTD.**, Kunshan (CN)

(74) *Attorney, Agent, or Firm* — Birch, Stewart, Kolasch & Birch, LLP

(**) Term: **15 Years**

(57) **CLAIM**

The ornamental design for a speaker, as shown and described.

(21) Appl. No.: **29/858,890**

DESCRIPTION

(22) Filed: **Nov. 4, 2022**

(51) **LOC (15) Cl.** **14-01**

(52) **U.S. Cl.**

USPC **D14/204**

(58) **Field of Classification Search**

USPC D14/170–172, 188, 203.1, 203.3, 203.6,
D14/204, 207, 208, 211, 214, 216, 221,
D14/225, 348, 473; D26/51, 104

CPC . H04R 1/02; H04R 1/023; H04R 5/02; H04R
7/00; H04R 7/02; H04R 9/06; H04R
2400/00

See application file for complete search history.

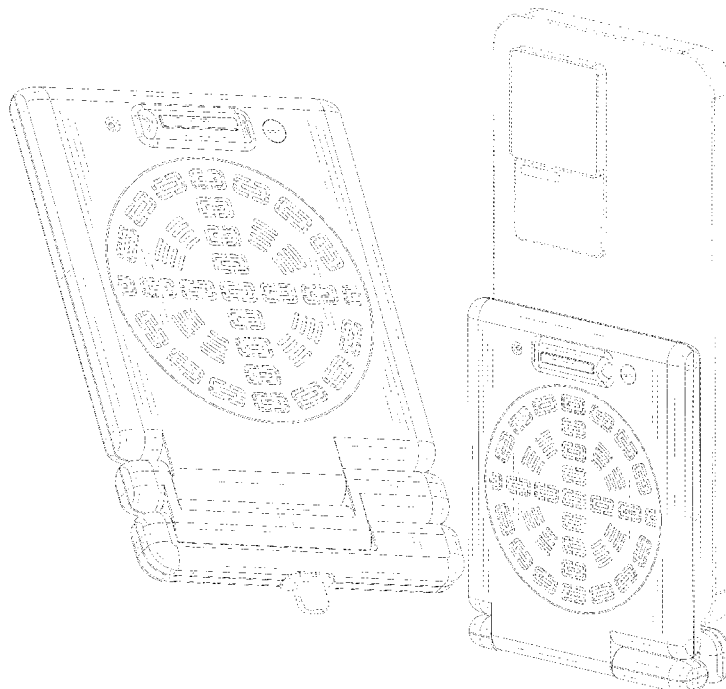
FIG. 1 is a bottom, front, left side perspective view of a speaker, showing my new design;
FIG. 2 is a front elevation view thereof;
FIG. 3 is a rear elevation view thereof;
FIG. 4 is a left side elevation view thereof;
FIG. 5 is a right side elevation view thereof;
FIG. 6 is a top plan view thereof;
FIG. 7 is a bottom plan view thereof;
FIG. 8 is a first perspective view thereof, shown in folded condition, in environmental use;
FIG. 9 is a second perspective view thereof, in environmental use;
FIG. 10 is a third perspective view thereof, shown in folded condition, in environmental use; and,
FIG. 11 is a fourth perspective view thereof, shown in partially folded condition, in environmental use.
The broken lines in the figures illustrate the portions of the speaker and form no part of the claimed design. The broken line showing of the mobile phone in FIGS. 8-11 is for the purpose of illustrating environmental subject matter that forms no part of the claimed design.

(56) **References Cited**

U.S. PATENT DOCUMENTS

D524,292 S * 7/2006 Tyneski D14/216
D584,287 S * 1/2009 Pauschitz D14/214
D728,510 S * 5/2015 Cai D14/204
D757,678 S * 5/2016 Kelly D14/204
D798,838 S * 10/2017 DiTullo D14/204

1 Claim, 9 Drawing Sheets



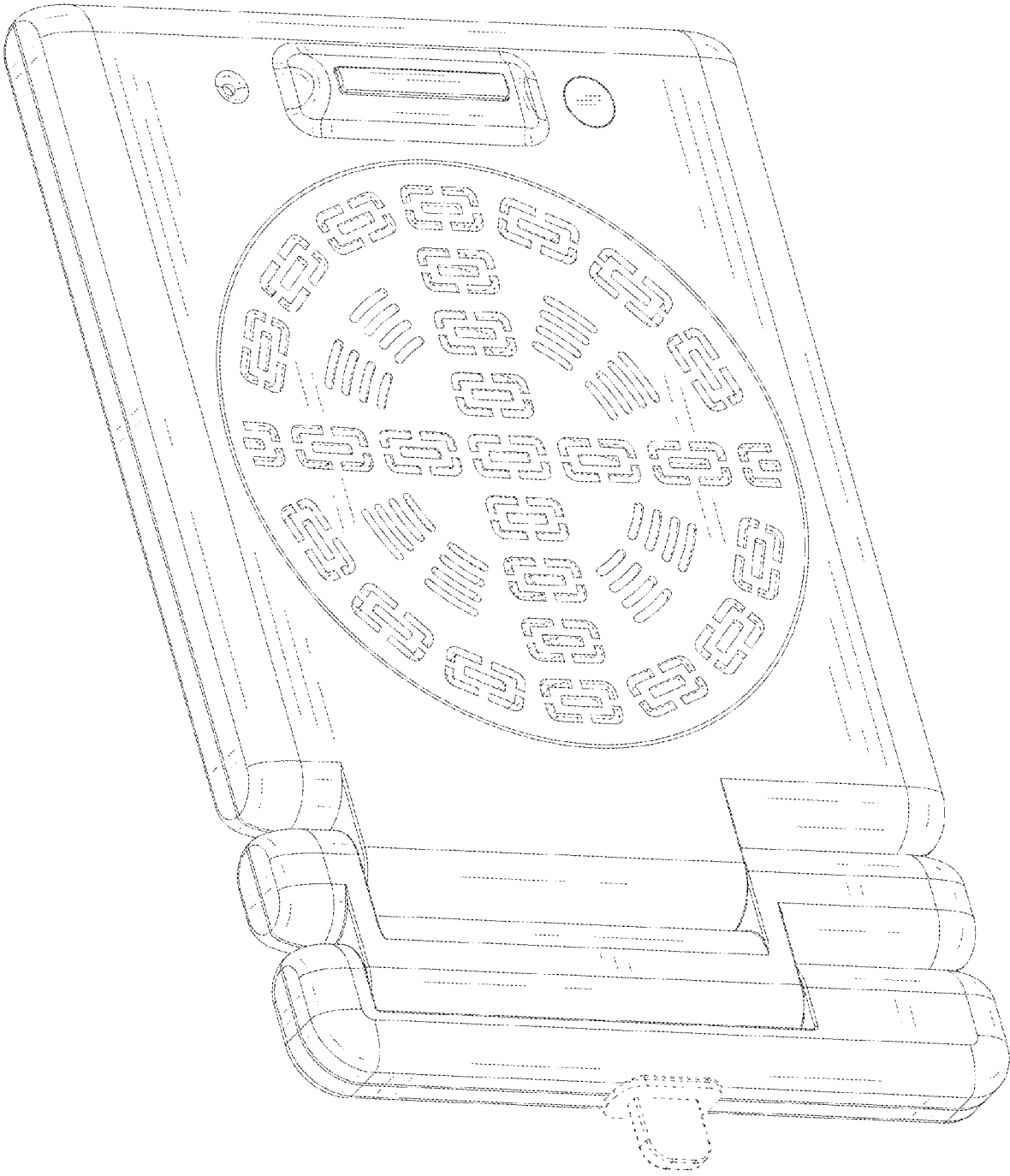


FIG.1

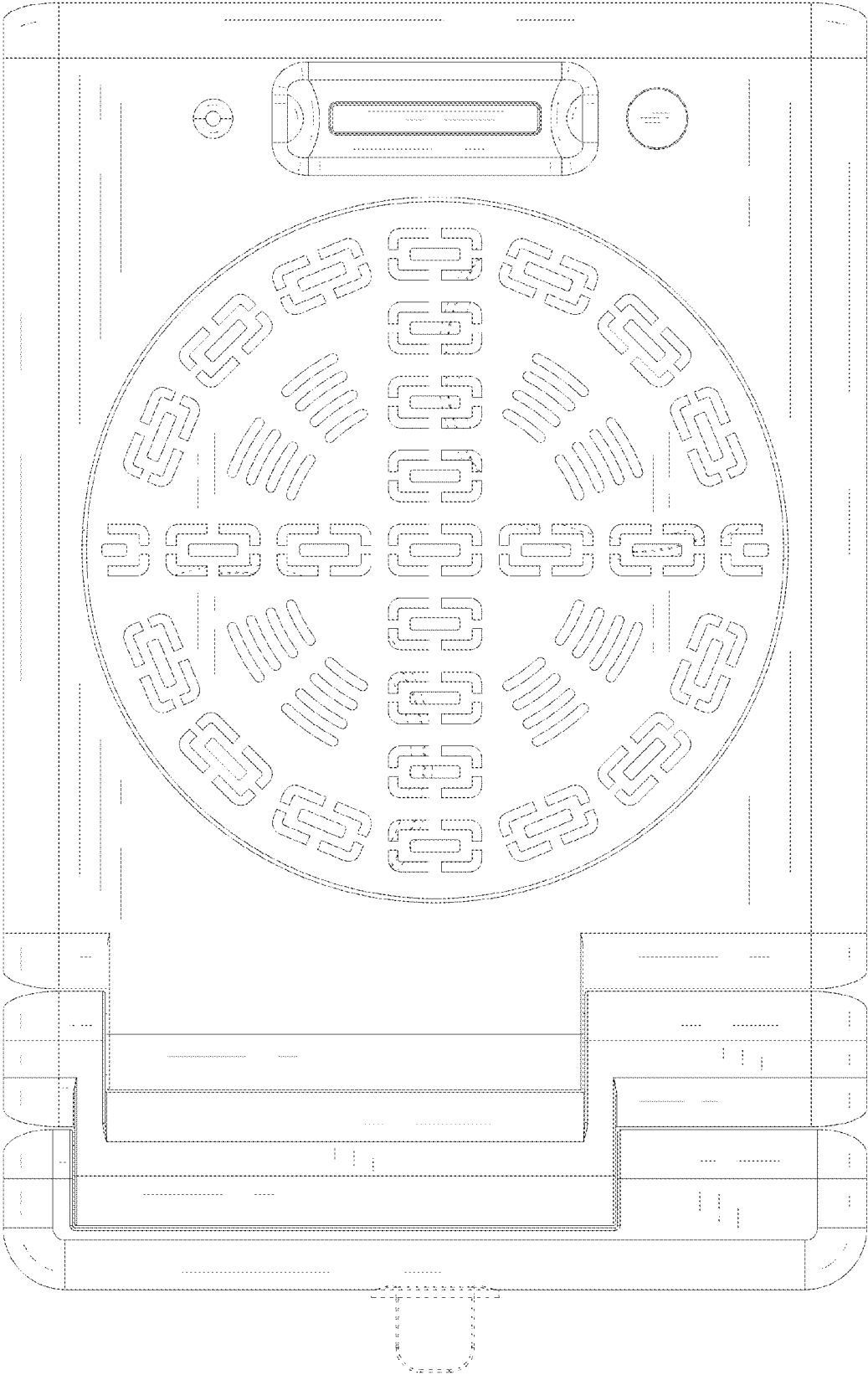


FIG.2

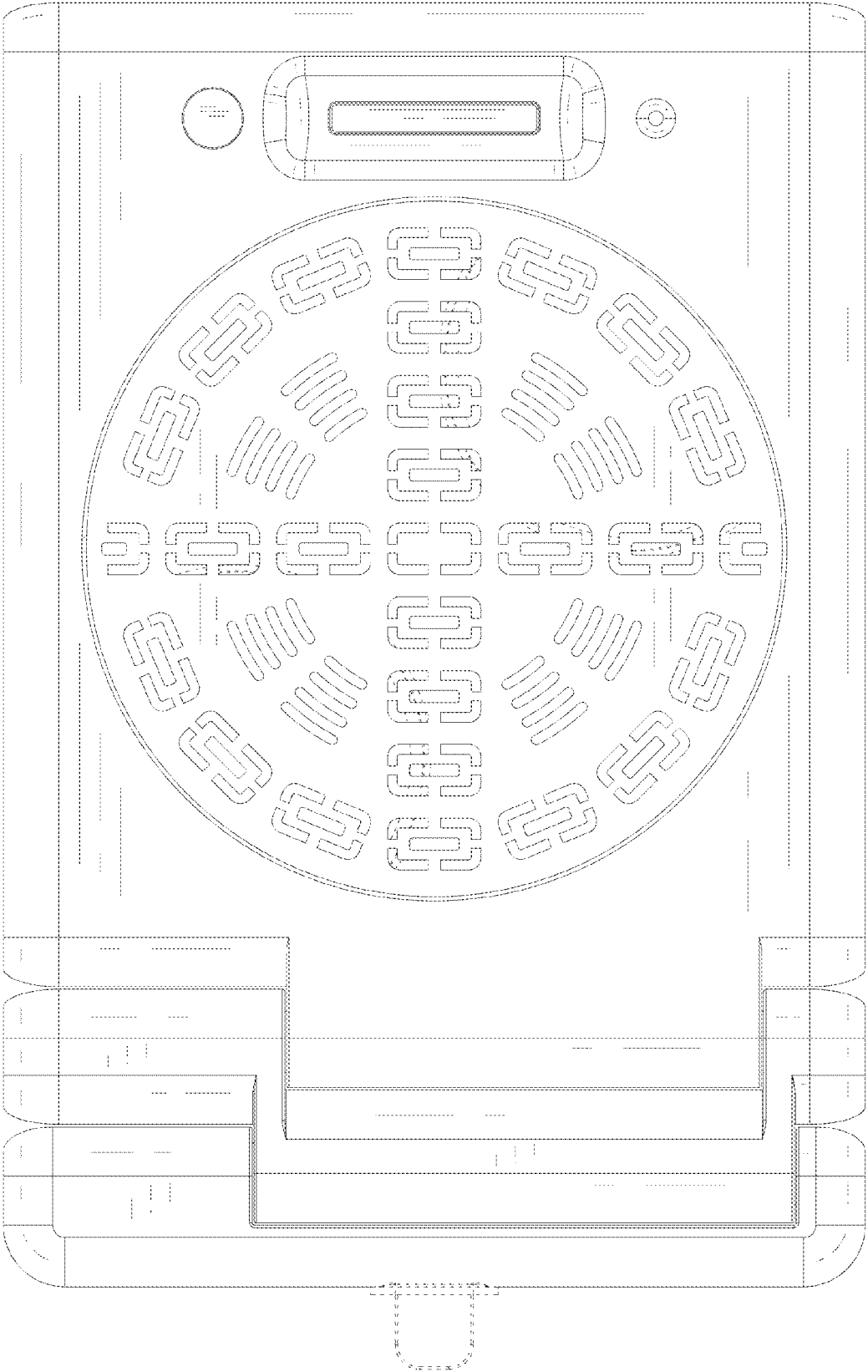


FIG.3

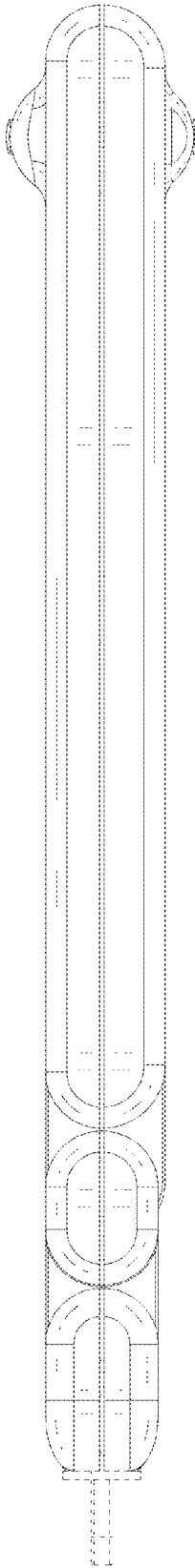


FIG.4

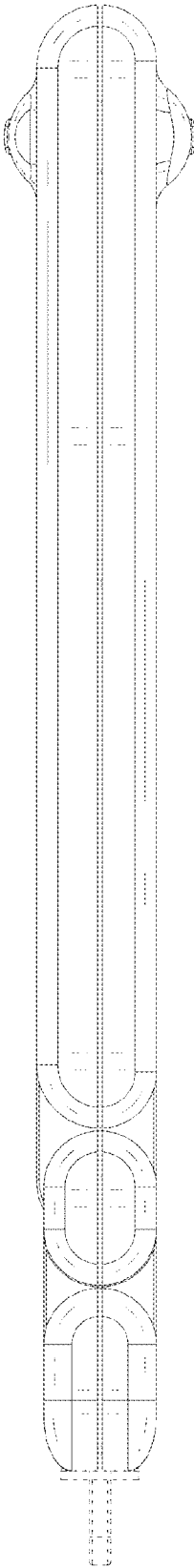


FIG.5

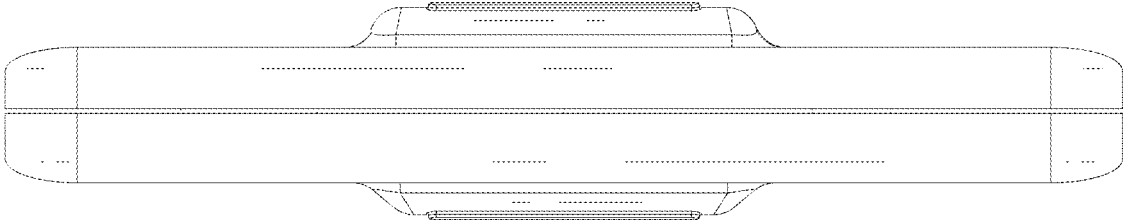


FIG.6

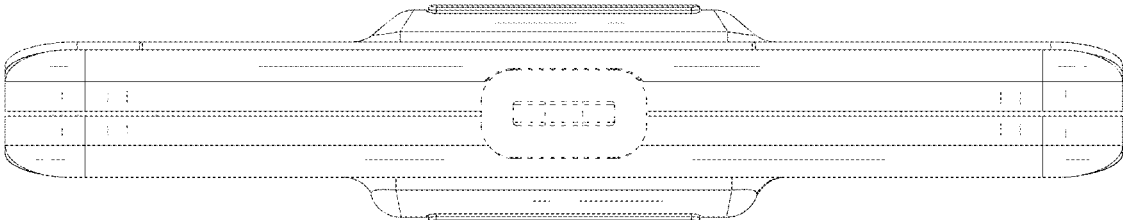


FIG.7

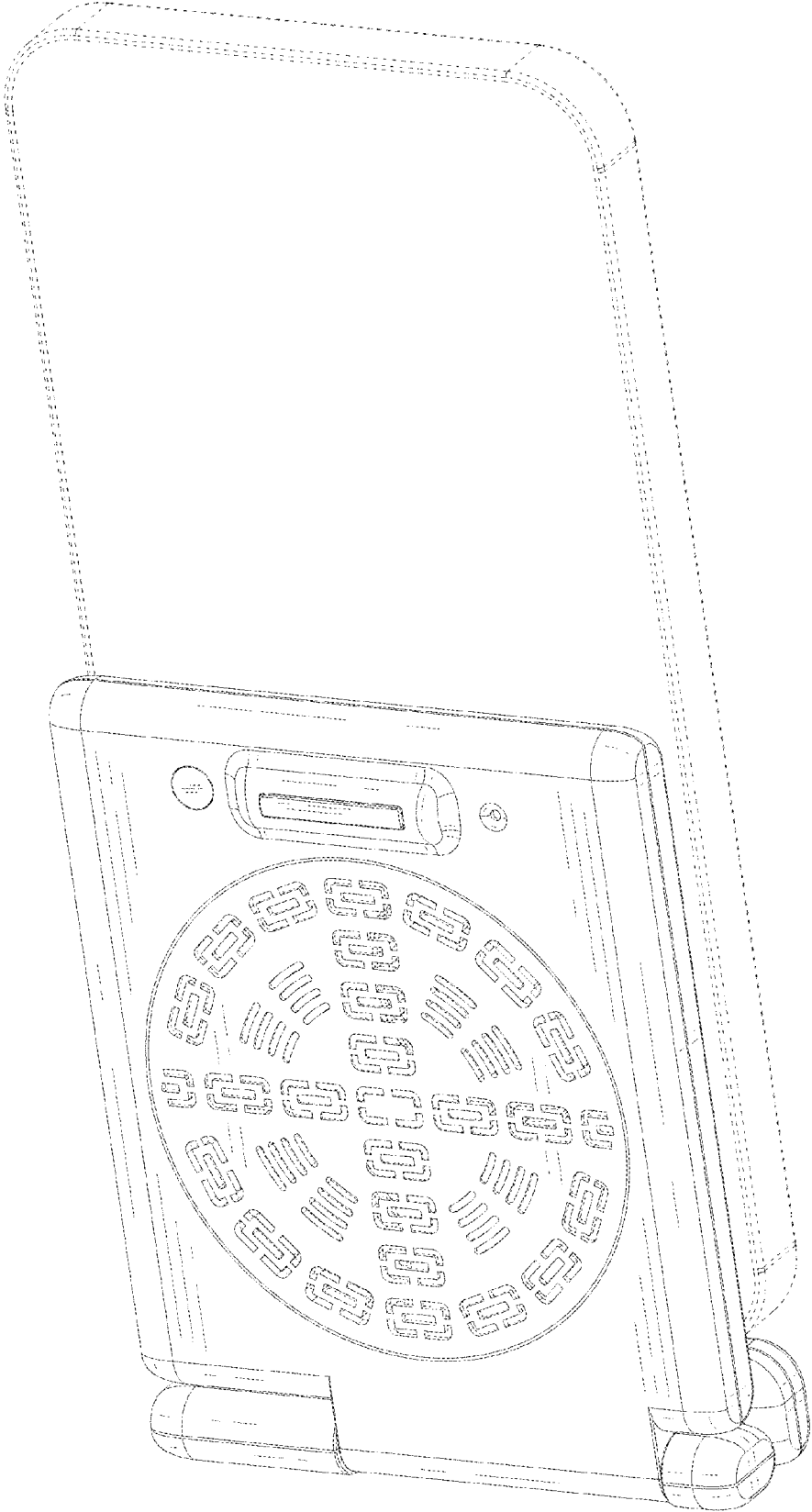


FIG.8

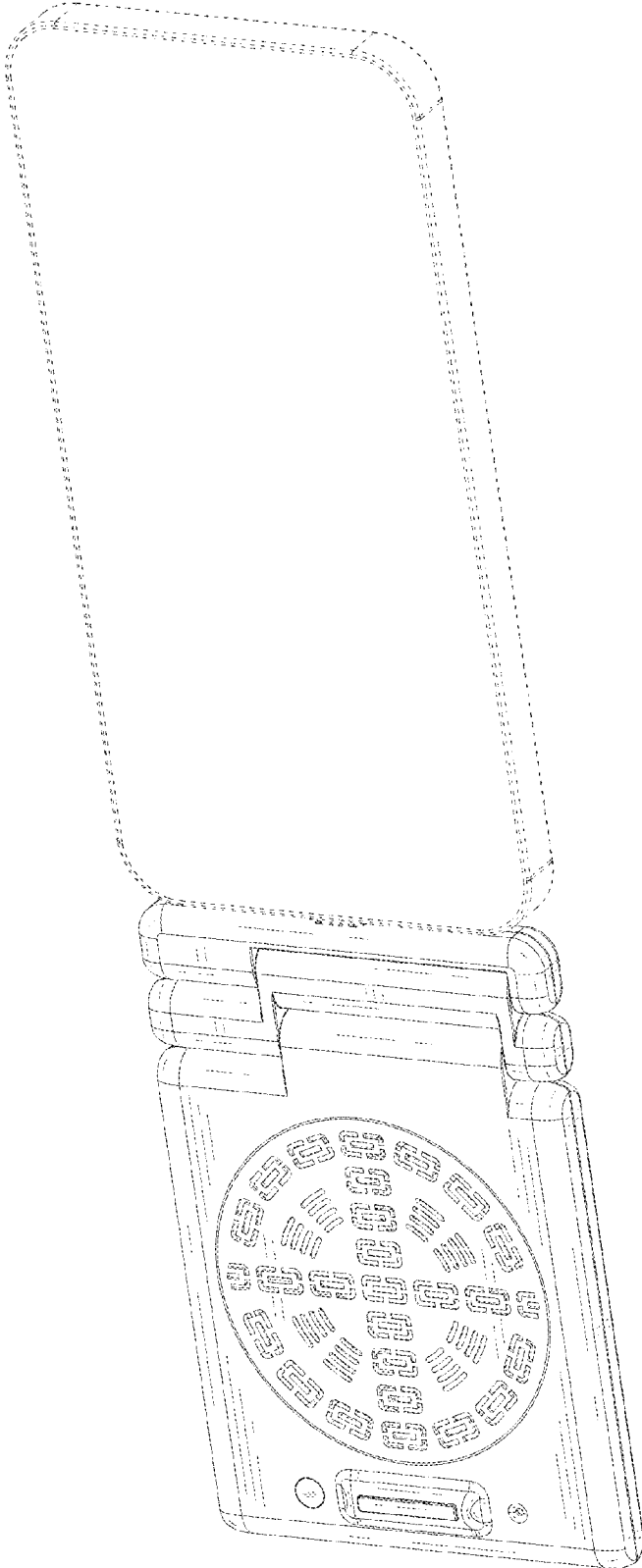


FIG.9

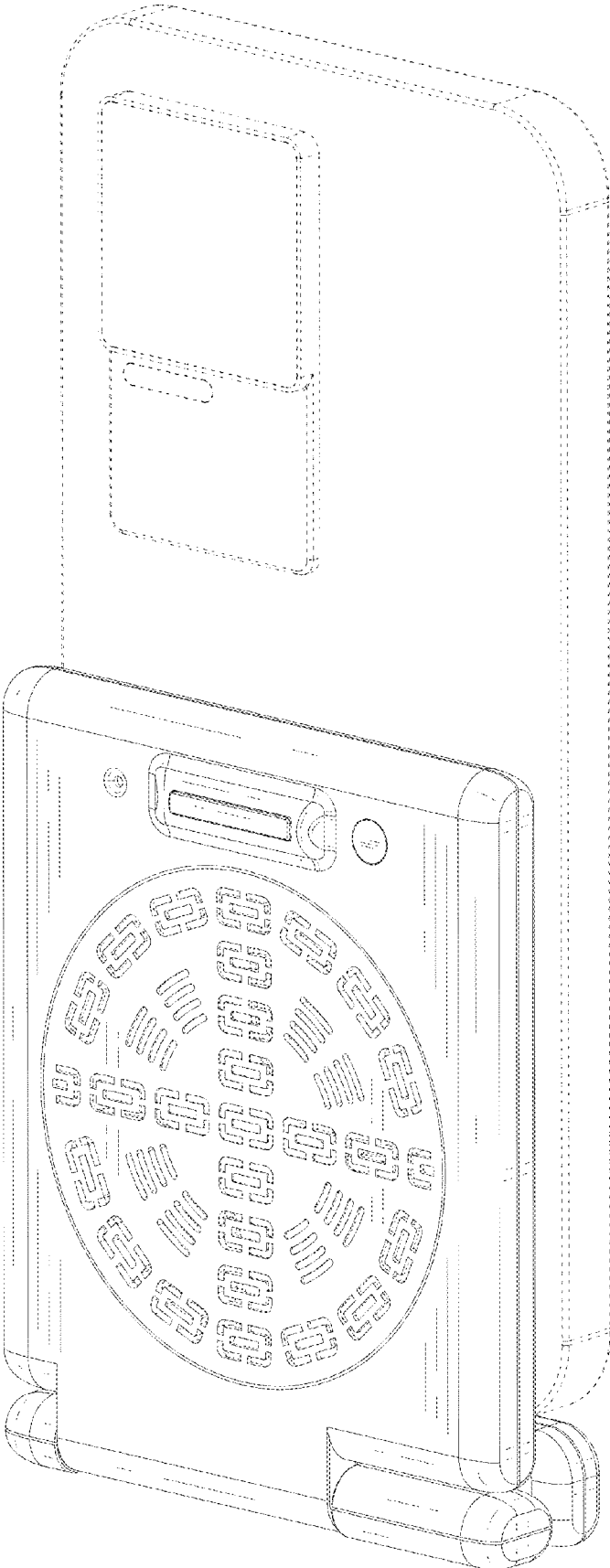


FIG.10

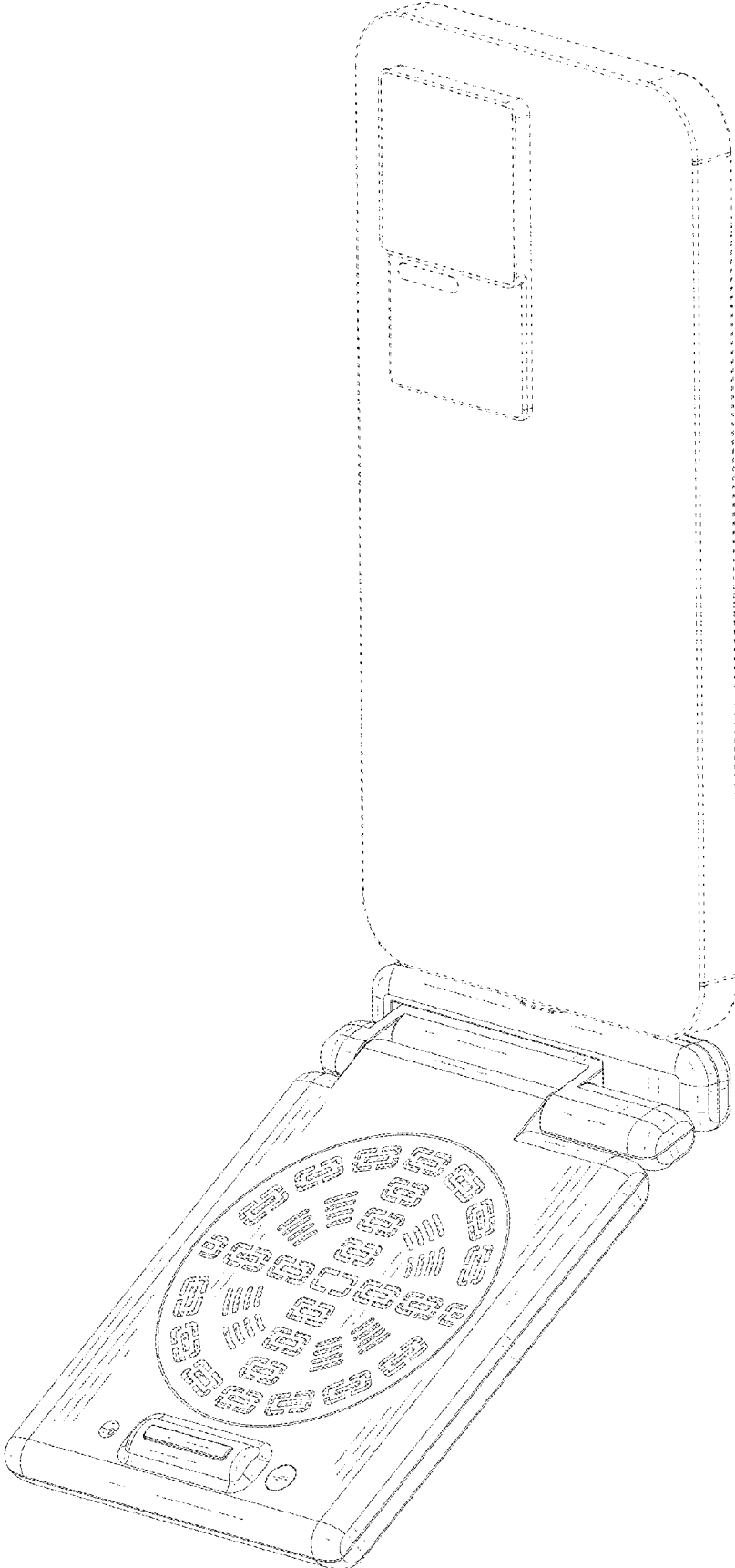


FIG.11