



US00D340169S

United States Patent [19]

[11] Patent Number: Des. 340,169

Scott, Jr. et al.

[45] Date of Patent: ** Oct. 12, 1993

[54] SECTIONAL PLANTER

[75] Inventors: Harry W. Scott, Jr., Dover; Randall W. Britt; Kenneth L. Renfroe, both of Russelville, all of Ark.

[73] Assignee: Thompson Industries, Inc., Russellville, Ark.

[**] Term: 14 Years

[21] Appl. No.: 786,992

[22] Filed: Nov. 4, 1991

[52] U.S. Cl. D8/1; D11/155

[58] Field of Search D8/1, 499; D11/13, 155; D12/154; 47/33; 52/102, 233; 59/78, 80, 84-85, 88, 11

4,664,358	5/1987	Clark	52/233 X
4,747,231	5/1988	LeMay et al. .	
4,761,923	8/1988	Reum et al. .	
4,767,232	8/1988	Francis .	
4,787,475	11/1988	Arteau et al. .	
4,834,585	5/1989	Hasenwinkle et al.	52/233 X
4,869,018	9/1989	Scales et al.	47/33
4,897,955	2/1990	Winsor .	
4,905,409	3/1990	Cole	52/233 X
4,910,910	3/1990	Jones .	
4,967,526	11/1990	Yost .	
4,986,042	1/1991	Richardt	47/33 X
4,997,316	3/1991	Rose .	
5,038,557	8/1991	Otsuki et al.	59/80
5,119,587	6/1992	Waltz	47/33

[56] References Cited

U.S. PATENT DOCUMENTS

D. 217,273	4/1970	Adelman	D25/113
D. 223,585	5/1973	Adelman	D25/113
1,219,786	3/1917	Splatter .	
1,598,250	8/1926	Person	59/80
1,809,508	6/1931	Colby .	
1,830,188	11/1931	Bellavance	59/80
2,687,033	8/1954	Snyder .	
2,951,606	9/1960	Benson .	
3,006,038	10/1961	Sullivan	52/233 X
3,324,619	6/1967	Gearhart .	
3,343,301	9/1967	Adelman	47/33
3,396,488	8/1968	Ries	D8/1 X
3,415,013	12/1968	Galbraith	47/33 X
3,487,579	1/1970	Brettingen .	
3,545,128	12/1970	Fontaine et al. .	
3,742,665	7/1973	Henry et al. .	
3,837,163	9/1974	Fujimon	59/80
4,269,026	5/1981	Bulle et al.	59/85 X
4,312,606	1/1982	Sarikelle .	
4,391,077	7/1983	Gless .	
4,433,944	2/1984	Plica et al. .	
4,522,006	6/1985	Plikuhn	52/233 X

OTHER PUBLICATIONS

Design Wood Brochure, 1991, Cover Page, Interlocking Wood Pieces—Cited by applicant.

Primary Examiner—Wallace R. Burke
Assistant Examiner—H. Baynham
Attorney, Agent, or Firm—Stephen D. Carver; Jerry L. Mahurin

[57] CLAIM

The ornamental design for a sectional planter, as shown and described.

DESCRIPTION

FIG. 1 is a front perspective view of a sectional planter showing our new design;
FIG. 2 is a front isometric view thereof;
FIG. 3 is a top plan view thereof;
FIG. 4 is a right end elevational view thereof;
FIG. 5 is a front elevational view thereof;
FIG. 6 is a rear elevational view thereof;
FIG. 7 is a left end elevational view thereof; and,
FIG. 8 is a rear perspective view thereof.
With the exception of the raised sides the undisclosed bottom plan view is identical to the top plan view.

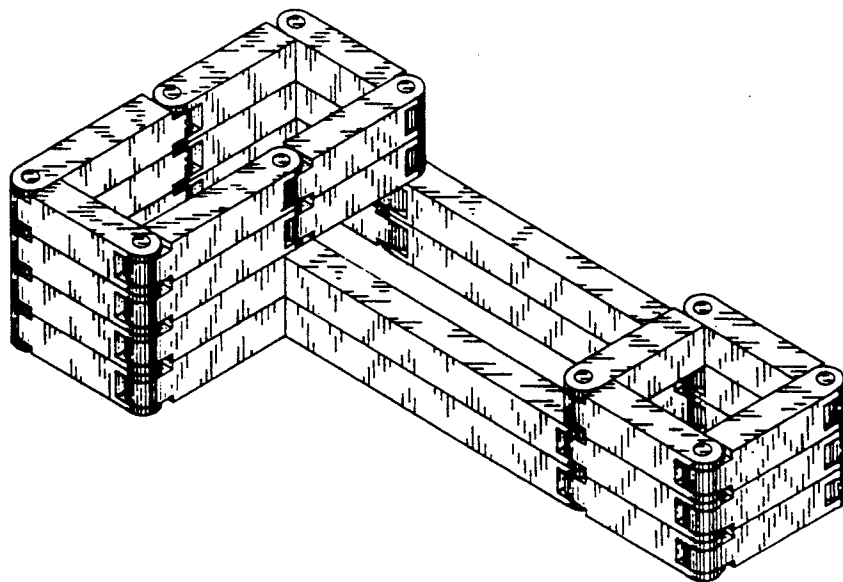


FIG. 1

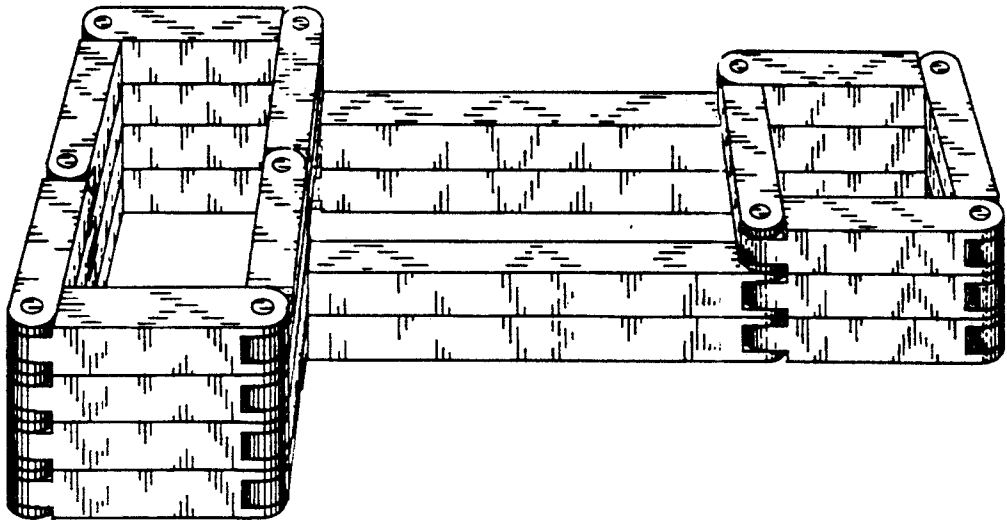


FIG. 2

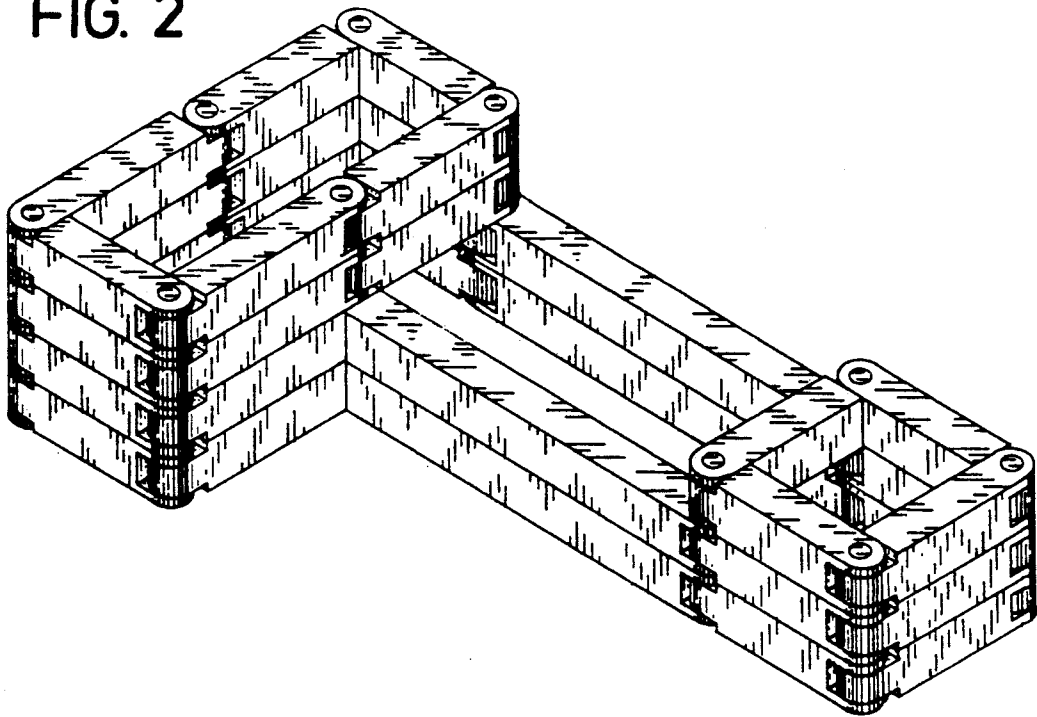


FIG. 3

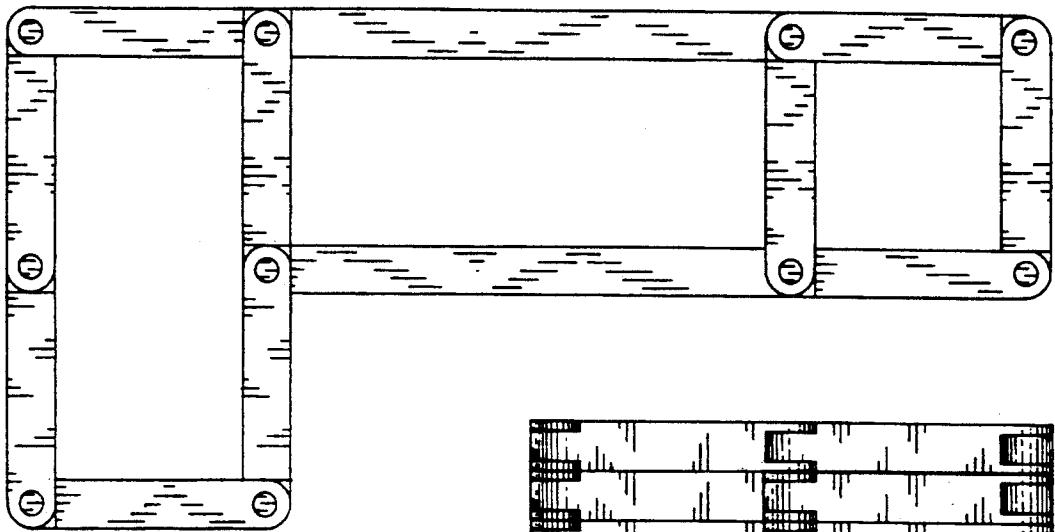


FIG. 5

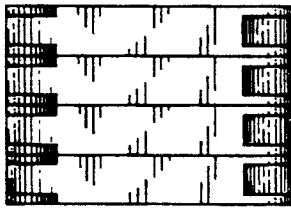


FIG. 4

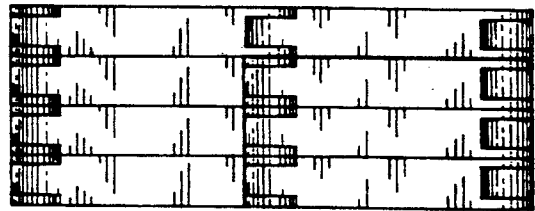


FIG. 6

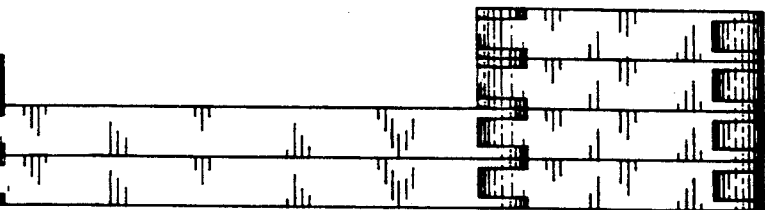
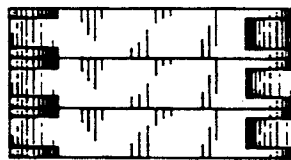


FIG. 7

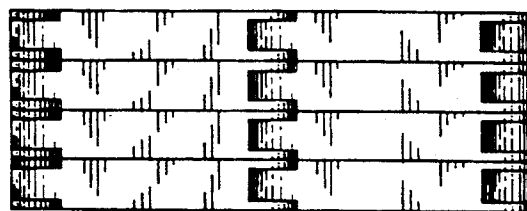


FIG. 8

