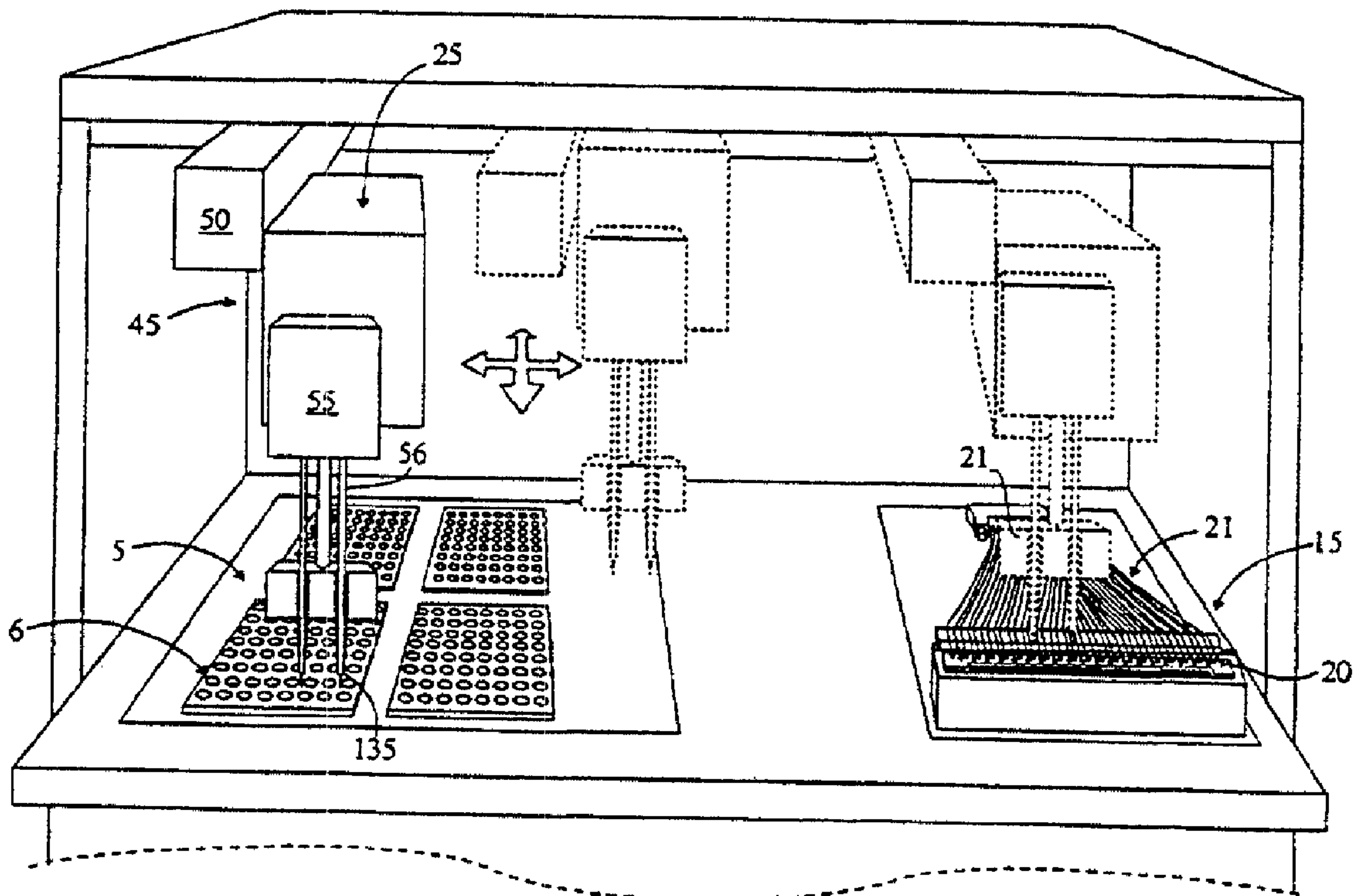




(86) Date de dépôt PCT/PCT Filing Date: 1999/09/08  
 (87) Date publication PCT/PCT Publication Date: 2000/03/23  
 (45) Date de délivrance/Issue Date: 2006/02/21  
 (85) Entrée phase nationale/National Entry: 2001/02/15  
 (86) N° demande PCT/PCT Application No.: US 1999/020555  
 (87) N° publication PCT/PCT Publication No.: 2000/016085  
 (30) Priorité/Priority: 1998/09/14 (09/152,590) US

(51) Cl.Int./Int.Cl. *G01N 27/447* (2006.01)  
 (72) Inventeurs/Inventors:  
 KING, HOWARD GREGG, US;  
 SHIGEURA, JOHN, US;  
 NORDMAN, ERIC S., US;  
 DESMOND, SEAN MATTHEW, US  
 (73) Propriétaire/Owner:  
 APPLERA CORPORATION, US  
 (74) Agent: SIM & MCBURNEY

(54) Titre : SYSTEME DE MANIPULATION D'ECHANTILLONS DESTINE A UN DISPOSITIF D'ELECTROPHORESE  
 CAPILLAIRE A CANAUX MULTIPLES  
 (54) Title: SAMPLE HANDLING SYSTEM FOR A MULTI-CHANNEL CAPILLARY ELECTROPHORESIS DEVICE



(57) Abrégé/Abstract:

A sample handling system in a multi-channel capillary electrophoresis apparatus is disclosed. The sample handling system includes a work surface for supporting a plurality of samples located at a plurality of work surface coordinates and a sample loading assembly comprising a plurality of loading wells. At least one of the loading wells includes a capillary fixedly positioned therein. The system further includes a programmable sample transfer device for automatically transferring a sample from a work surface coordinate to a loading well. The invention further includes methods for using the sample handling system.

**PCT**WORLD INTELLECTUAL PROPERTY ORGANIZATION  
International Bureau

## INTERNATIONAL APPLICATION PUBLISHED UNDER THE PATENT COOPERATION TREATY (PCT)

(51) International Patent Classification <sup>7</sup> :

G01N 27/447

A1

(11) International Publication Number:

WO 00/16085

(43) International Publication Date:

23 March 2000 (23.03.00)

(21) International Application Number: PCT/US99/20555

(22) International Filing Date: 8 September 1999 (08.09.99)

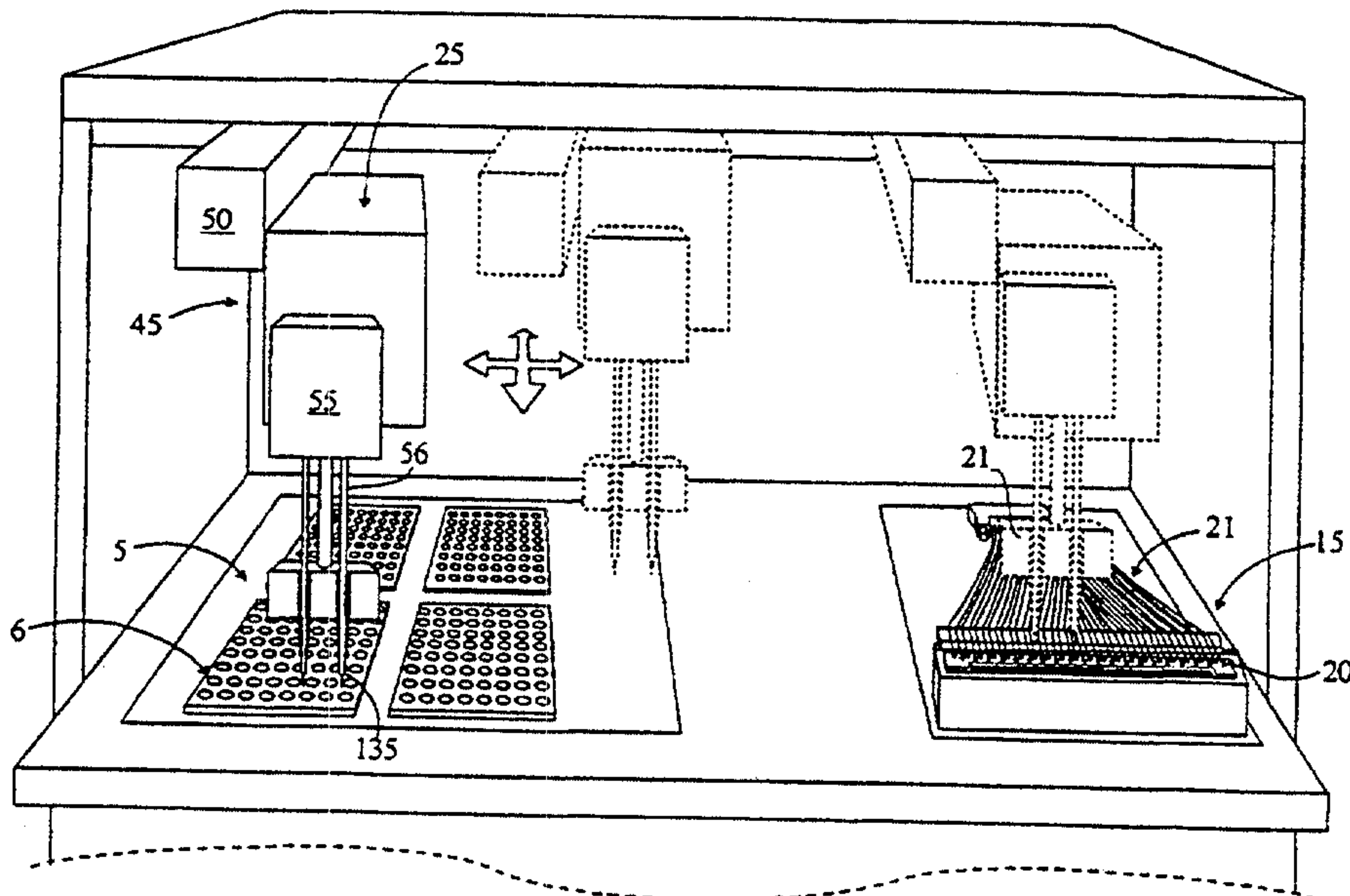
(30) Priority Data:

09/152,590

14 September 1998 (14.09.98) US

(71) Applicant: THE PERKIN-ELMER CORPORATION  
[US/US]; 850 Lincoln Centre Drive, Foster City, CA 94404  
(US).(72) Inventors: KING, Howard, Gregg; 1610 Beverly Place,  
Berkeley, CA 94707 (US). SHIGEURA, John; 5110  
Keystone Drive, Fremont, CA 94536 (US). NORDMAN,  
Eric, S.; 2150 Middlefield Road, Palo Alto, CA 94301 (US).  
DESMOND, Sean, Matthew; 6 Garden Court #4, Belmont,  
CA 94002 (US).(74) Agent: GROSSMAN, Paul, D.; The Perkin-Elmer Corporation,  
850 Lincoln Centre Drive, Foster City, CA 94404 (US).(81) Designated States: AU, CA, JP, European patent (AT, BE,  
CH, CY, DE, DK, ES, FI, FR, GB, GR, IE, IT, LU, MC,  
NL, PT, SE).**Published***With international search report.**Before the expiration of the time limit for amending the  
claims and to be republished in the event of the receipt of  
amendments.*

(54) Title: SAMPLE HANDLING SYSTEM FOR A MULTI-CHANNEL CAPILLARY ELECTROPHORESIS DEVICE



## (57) Abstract

A sample handling system in a multi-channel capillary electrophoresis apparatus is disclosed. The sample handling system includes a work surface for supporting a plurality of samples located at a plurality of work surface coordinates and a sample loading assembly comprising a plurality of loading wells. At least one of the loading wells includes a capillary fixedly positioned therein. The system further includes a programmable sample transfer device for automatically transferring a sample from a work surface coordinate to a loading well. The invention further includes methods for using the sample handling system.

SAMPLE HANDLING SYSTEM FOR A MULTI-CHANNEL CAPILLARY  
ELECTROPHORESIS DEVICE

5

FIELD OF THE INVENTION

This invention relates to apparatus and methods useful for biochemical analysis. More specifically, this invention relates to an automated capillary electrophoresis apparatus useful for the simultaneous analysis of multiple samples, and methods for using  
10 such apparatus.

BACKGROUND

Capillary electrophoresis is a powerful analytical separation technique that brings speed, quantitation, reproducibility and automation to the inherently highly resolving but  
15 typically labor intensive methods of electrophoresis (e.g., *Capillary Electrophoresis Theory and Practice*, Grossman and Colburn, eds., Academic Press (1992)). While early capillary electrophoresis systems utilized only a single capillary tube, multi-channel systems have been developed to provide increased throughput (e.g., Mathies et al., U.S. Patent No. 5,247,240; Dovichi and Zhang, U.S. Patent No. 5,439,578; Kambara, U.S.  
20 patent No. 5,516,406; Takahashi, et al., *Anal. Chem.*, 66: 1021-1026 (1994)). Such multi-channel systems are particularly attractive for use in large scale DNA sequencing projects.

In conventional multi-capillary capillary electrophoresis systems, samples are  
25 introduced in the capillaries by dipping the capillary inlets into samples contained in a plurality of sample reservoirs. However, this method of sample introduction has several disadvantages, particularly for applications requiring a high degree of automation, throughput and reliability. First, these existing systems require a one-to-one correspondence between a given sample well location and a given capillary tube. That is,  
30 samples located in a given sample well will always be analyzed by a given corresponding capillary tube. This is problematic because if a capillary tube becomes non-operational, samples located in wells corresponding to that capillary tube will not be analyzed until

that capillary is replace. Second, in order for the capillary inlets to be dipped into the sample wells, the pitch, of spacing, of the capillary inlets must match the pitch of the sample wells. This constrains the sample well formats that may be used, and requires the capillary spacing to be dictated by the sample well configuration rather than the requirements of the analyzer. Also, because existing sample handling systems rely on the capillary tubes to be dipped into a sample well, these systems require discrete capillaries to be used rather than capillaries formed in a monolithic substrate. Finally, existing sample handling systems require a relative motion between the capillary tubes and the sample well after the sample has been injected into the capillary tubes, i.e. the capillary is removed from the sample wells, or the sample wells are removed from the capillary tubes. This relative motion may disrupt the injected sample as a result of agitation and/or evaporation such that electrophoretic resolution of the sample components is comprised.

Thus, it would be desirable to provide a sample handling system for a multi-channel capillary electrophoresis device that addresses the above disadvantages of traditional devices.

#### SUMMARY

The present invention is directed towards our discovery of an improved sample handling system for a multi-channel capillary electrophoresis device.

In a first aspect, the invention provides an apparatus comprising (1) a work surface for supporting a plurality of samples located at a plurality of work surface coordinates wherein the temperature of the work surface is controlled by a temperature controller; (2) a sample loading assembly comprising a plurality of loading wells, wherein at least one of the loading wells includes a capillary fixedly positioned therein; and (3) a programmable sample transfer device for transferring a sample from a work surface coordinate to a loading well.

Various aspect of the above-described invention achieve one or more of the following important advantages over known sample handling systems for use with a multi-channel capillary electrophoresis device. In particular, the sample handling system

of the invention (1) does not require a one-to-one correspondence between a given sample well location and a given capillary tube; (2) decouples a spatial arrangement of sample wells from a spatial arrangement of capillary inlets; (3) is adaptable for use with capillaries formed in a monolithic substrate; and (4) eliminates the requirement for relative motion between the capillary tubes and a sample well.

According to another aspect of the invention, there is provided a method for handling a sample in a multi-channel capillary electrophoresis apparatus, the apparatus having a temperature controlled work surface, the method comprising non-fixedly corresponding a work surface coordinate with a loading well not located on the work surface; providing the sample located on the work surface at the work surface coordinate; transferring the sample from the work surface coordinate to the corresponding loading well; and injecting the sample from the loading well into a capillary electrophoresis capillary.

In accordance with an aspect of the present invention, there is provided a sample handling system in a multi-channel capillary electrophoresis apparatus comprising:

- a work surface for supporting a plurality of samples located at a plurality of work surface coordinates;
  - a sample loading assembly comprising a plurality of loading wells, wherein the plurality of loading wells are located in a loading bar which serves as an electrode;
  - a capillary;
  - a programmable sample transfer device for transferring a sample from a work surface coordinate to a loading well; and
- wherein at least one of the loading wells is adapted for fluid communication with said capillary.

In accordance with another aspect of the present invention, there is provided a loading bar for use in the sample handling system of any one of the preceding claims, said loading bar comprising:

- a plurality of loading wells for receiving fluids therein; and
- means for receiving electrical voltage so that, in use, said loading bar serves as an electrode.

In accordance with a further aspect of the present invention, there is provided a method for handling a sample in a multi-channel capillary electrophoresis apparatus

comprising:

- providing a sample located on a work surface at a work surface coordinate;
- transferring the sample from the work surface coordinate to a loading well located in a loading bar which serves as an electrode; and
- 5 injecting the sample from the loading well into capillary electrophoresis capillary.

These and other features and advantages of the present invention will become better understood with reference to the following description, drawings, and appended claims.

10

### BRIEF DESCRIPTION OF THE DRAWINGS

FIG. 1 shows a preferred sample handling system according to the present invention.

15

FIG. 2 shows a preferred work surface according to the present invention.

FIG. 3 shows a preferred pipette head according to the present invention.

20

FIG. 4 shows a preferred tip straightner according to the present invention in a fully retracted position.

FIG. 5 shows a preferred tip straightner according to the present invention in a fully extended position.

25

FIG. 6 shows a preferred tip straightner according to the present invention in an intermediate position.

FIG. 7 shows a preferred loading assembly according to the present invention.

30

FIG. 8 shows a preferred loading bar according to the present invention.

FIG. 9 shows an expanded view of the loading bar of FIG. 8.

FIG. 10 shows an expanded cross-sectional view of the loading bar of FIG. 8 including two loading wells and their associated fluid passages and capillary tubes.

5

FIG. 11 shows a top view of a preferred loading block according to the present invention.

FIG. 12 shows a cross-sectional view of a preferred main manifold according to the present invention.

10

FIG. 13 shows a cross-sectional view of the loading block of FIG. 11.

FIG. 14 shows a schematic plumbing diagram of a preferred system used to conduct of fluids through the sample loading assembly.

15

### DETAILED DESCRIPTION OF THE PREFERRED EMBODIMENTS

Reference will now be made in detail to the preferred embodiments of the invention, examples of which are illustrated in the accompanying drawings. While the invention will be described in conjunction with the preferred embodiments, it will be understood that they are not intended to limit the invention to those embodiments. On the contrary, the invention is intended to cover alternatives, modifications, and equivalents, which may be included within the invention as defined by the appended claims.

20

#### I. DEFINITIONS

25

Unless stated otherwise, the following terms and phrases as used herein are intended to have the following meanings:

The term "sample" refers to any material to be transferred between the work surface and the loading wells by the programmable sample transfer device. While samples are typically fluids, they may also be solids and/or suspensions of solids in fluids. Exemplary samples include, but are not limited to, samples to be electrophoretically

30

analyzed, internal standards, wash solutions, buffer solutions, electrophoresis media, and the like.

The term "capillary" or "capillary tube" refers to tubes or channels or other  
5 structure capable of supporting a volume of separation medium suitable for carrying out  
an electrophoretic separation. The geometry of a capillary may vary widely and includes  
tubes with circular, rectangular or square cross-sections, channels, groves, plates, and the  
like, and may be fabricated by a wide range of well known technologies. An important  
feature of a capillary for use with the invention is the surface-to-volume ratio of the  
10 capillary lumen. High values of this ratio permit efficient dissipation of the Joule heat  
produced in the separation medium during electrophoresis. Preferably, ratios in the range  
of about 0.4 to .04  $\mu\text{m}^{-1}$  are employed. These ratio values correspond to the surface-to-  
volume ratios of tubular capillaries with circular cross-sections having inside diameters in  
the range of about 10  $\mu\text{m}$  to about 100  $\mu\text{m}$ .

15

The term "well" as used herein refers to structure for confining a material to a  
defined location, and for separating the material from other materials. Exemplary wells  
include but are not limited to mechanical receptacles, surface tension barriers, slots,  
channels, and the like.

20

## II. SAMPLE HANDLING SYSTEM.

Generally, referring to FIG. 1, the sample handling system of the present invention  
comprises a work surface 5 for supporting a plurality of samples located at a plurality of  
addressable work surface coordinates, e.g., sample wells 6 containing samples to be  
25 electrophoretically analyzed; a sample loading assembly 15 comprising a plurality of  
loading wells 20, each well in fluid communication with a corresponding capillary tube  
21; and a programmable sample transfer device 25 for transferring samples from the work  
surface to the loading wells. The material transfer device may be programmed such that a  
one-to-one correspondence between a work surface location and a loading well is not  
30 required.

A. Work Surface. The work surface 5 of the invention provides a location at which a plurality of samples may be stored prior to their transfer to the sample loading assembly 15. Samples are stored on the work surface at work surface coordinates such that the programmable sample transfer device 25 may automatically locate and access  
5 each sample independently, e.g., samples are located in sample wells 6 located at a plurality of addressable locations. Preferably, in order to prevent evaporation, the sample is dissolved in a solvent having a low volatility, e.g., formamide.

Preferably, the work surface is organized to accommodate multiple containers  
10 arranged in conventional formats. Generally, the containers are located on the work surface such that they may be easily replaced by a user. Exemplary container formats include microtiter plates having 96, 384 or 1536 wells arranged in a rectangular array. The containers may be open or closed. For example, a 96-well plate may be covered with a pierceable cover, e.g., a polymeric film.

15

The work surface may be temperature controlled, i.e., the work surface may be heated or cooled. In one preferred embodiment, the work surface is cooled in order to slow the decomposition of the samples. Alternatively, the work surface, or portions thereof, may be heated to prepare a sample for electrophoretic analysis, e.g., a nucleic  
20 acid sample may be denatured by exposure to elevated temperature prior to electrophoresis. In addition, the humidity of the environment surrounding the work surface may be controlled to reduce sample evaporation.

FIG. 2 shows a preferred work surface 5 according to the present invention. The  
25 work surface includes four tray recesses 30 for accommodating four replaceable sample trays 35, e.g., disposable 96-well microtiter plates. Each tray recess is associated with a tray locking mechanism 36 for rigidly and precisely locating the sample tray in the recess. Preferably, the locking mechanism is a spring and latch mechanism. In addition to the sample trays, the work surface shown in FIG. 2 includes a plurality of standard wells 40  
30 for containing internal and or external standard materials. In the case of automated nucleic acid analysis, the standards may be molecular weight standards or spectral calibration standards.

### B. Sample Transfer Device.

The programmable sample transfer device of the present invention serves to transport samples from a work surface coordinate, e.g., a sample well, to a loading well such that there is no fixed correspondence between a particular work surface coordinate and a particular loading well. Rather, the correspondence between the work surface coordinate and the loading well is controlled by a program controlling the sample transfer device. In an important feature of the invention, the correspondence between a work surface coordinate and a loading well may be changed during the course of a multi-injection analysis. Thus, if a particular loading well, or its associated capillary tube, becomes inoperative, the sample transfer device can bypass that loading well and deposit the sample into an operative loading well. This feature of the present invention is in contrast with existing multi-channel capillary electrophoresis devices which embody a fixed relationship between a particular sample well and capillary tube.

15

As shown in FIG. 1, a preferred programmable sample transfer device according to the present invention comprises (1) a multi-axis robot including a robot arm, and (2) a pipette head including one or more pipettes located on the robot arm.

20

1. Multi-Axis Robot. The multi-axis robot of the preferred embodiment may be any conventional programmable robot capable of defined motion along two or more axes. For example, the robot may be a three-axis robot having three linear axes, e.g., x, y and z axes, or a combination of linear and rotary axes, e.g., r,  $\theta$  and  $\omega$  axes. Preferably, the multi-axis robot is a three-axis robot having three linear axis.

25

Generally, the multi-axis robot of the preferred embodiment includes an arm for supporting elements to be robotically manipulated, and a linear or rotary actuator to provide motive power for propelling the arm along each axis. The actuator generally comprises a motor for providing a motive power, and a transmission for delivering the power with a desired torque and velocity. Exemplary motors include AC or DC electric motors, pneumatic or hydraulic driving mechanisms. Exemplary transmissions include

30

but are not limited to belt drive, rack and pinion, and ball screw transmissions. Preferably, the transmission is a belt drive transmission. In addition, the multi-axis robot generally includes a linear and/or rotary bearing guide to control the direction of motion along each linear and/or rotary axis, respectively. Such bearing guides may include ball  
5 bearings, air bearings or journal bearings.

Preferably, the multi-axis robot further includes a positional feedback mechanism for monitoring the location of the robot arm 50 and the pipettes 56. A positional feedback mechanism of the preferred embodiment generally comprises three elements for  
10 monitoring three levels of positional feedback: (1) a positional encoder, (2) one or more limit switches and (3) a tip-sensor. The positional encoder serves to measure the position of the arm during travel within the robot's motion envelope, i.e., between the limit switches. Preferably, the resolution of the encoder is to within 0.025 mm. An exemplary encoder includes an etched glass scale mechanically coupled to the robot arm and  
15 optically coupled to an optical monitor which monitors a location on the glass scale, e.g., a LED and photodiode optical monitor. The limit switches serve to define the limits of the robot's motion envelope, e.g., using a flag mechanically coupled to the robot arm, and an LED and a beam sensor located at the periphery of the robot's motion envelope.

20 In an important feature of the three-axis robot of the preferred embodiment, a tip sensor serves to provide a precise location of an inlet 135 of pipettes 56. The tip sensor is important because it allows the robot to compensate for non-idealities in the location of the pipette's inlet end with respect to the robot arm, e.g., non-idealities caused by a bent pipette or the mispositioning of any of the elements addressed by the pipette, e.g.,  
25 mispositioning of the loading bar or sample wells. Preferably, the tip sensor should be repeatable to within about  $\pm 0.025$  mm.

A variety of mechanisms may be employed to implement the tip sensor, e.g., electrical mechanisms, e.g., a capacitive sensor or a conductance sensor, or optical  
30 mechanisms, e.g., a video system and image analysis software. Preferably, the tip sensor uses a capacitive sensor wherein a voltage is placed across the pipette tip such that when the pipette approaches or contacts a conductive surface, or "landing pad," the capacitance

of an electrical circuit including the pipette is changed, thereby indicating contact or close proximity of the pipette tip with the landing pad. One or more landing pads are located at strategic locations within the robot's motion envelope to provide benchmarks suitable for locating the pipettes with respect to key components of the system.

5

2. Pipette Head. The pipette head of the sample transfer device serves to collect a sample from the work surface, contain the sample during transfer between the work surface and a loading well, and dispense the sample into a loading well. The pipette head should be capable of collecting micro-liter volumes of sample in a controlled and reproducible manner, e.g.,  $2.5 \mu\text{l} \pm 15\%$  by volume.

A preferred pipette head of the present invention is shown in FIG. 3. As indicated in the figure, the pipette head 55 includes (1) pipettes 56, (2) tip housing 70, and tip (3) straightener 75. The pipette head may be in fluid communication with associated fluidics not shown in the figure, e.g., vacuum pumps, fluid passages and fluid pumps.

Generally, the pipettes of the invention may be any pipette capable of containing a micro-liter volume of a sample, preferably between about 0.1 and 10  $\mu\text{l}$  of a fluid sample. While the pipette may be any shape suitable for a particular application, preferably the pipette has a circular cross-section.

The material used to fabricate the pipette will depend upon the requirements of a particular application. Factors to be considered include wettability, rigidity and conductivity. Where the sample is a liquid, the wettability of the pipette should be such that sample may be introduced into the pipette in a controlled and reproducible manner. When the pipettes are passively loaded with sample using capillary action, generally the pipette should be wettable by the sample material. It is preferable that the pipette be rigid in order to facilitate location of the inlet end of the pipette with respect to the robot arm. Finally, where an electrical measurement is used in the tip sensor, the pipette should be electrically conductive. Preferred pipette materials include but are not limited to stainless steel, platinum and gold coated materials, glass, fused silica, and plastic or plastic coated materials, e.g., stainless steel coated with a parylene.

While FIG. 3 shows a pipette head having two pipettes, any number of pipettes may used. However, the following trade-off must be considered. As more pipettes are used, the speed with which the device can transport multiple samples from the work surface to the loading wells is increased. However, the problem of accurate tip location is aggravated as the number of pipettes is increased. Preferably, the number of pipettes ranges from one to 20 pipettes, and more preferably, between about two and eight pipettes.

10 The tip housing 70 of the preferred pipette head of FIG. 3 serves to provide a mechanical connection between the pipettes and the robot arm, and a fluid connection between the pipettes and any fluidics associated with the pipettes. The tip housing 70 comprises a body 80, a tip insert 85, a ferrule 90, and a fluid channel 95. The tip insert 85 provides a means to align the pipette with respect to the ferrule 90 such that a user may easily replace the pipette. The tip insert is adapted to receive a mounting portion 100 of the pipette 56 such that the pipette is securely held in the insert. Preferably, to further facilitate the replacement of a pipette, the pipette mounting portion 100 has a grippable holding portion 105. The ferrule 90, in combination with the tip housing, serves to provide a fluid-tight seal between the pipette 56 and the fluid channel 95. Fluid channel 20 95 may be in fluid communication with associated fluidics useful for effecting the collection and/or ejection of a sample into and/or out of the pipette. For example, to facilitate sample collection, the fluid channel 95 may be connected to a vacuum source for aspirating a sample into the pipette. Conversely, to facilitate sample ejection of the sample out of the pipette, the fluid channel 95 may be connected to a pressure source. 25 Such fluid connections may be mediated by one or more single- or multi-port valves, pressure sources, and/or vacuum sources.

In an important feature of the pipette head of the preferred embodiment, the pipette head includes a tip straightener mechanism 75. The tip straightener serves to 30 establish, or reestablish, a defined spacing between two or more pipettes of a multi-pipette sample handling system. Thus, if the location of a first pipette is established using a tip sensor, e.g., a capacitive tip sensor, the location of a other pipette may be established

based on the location of the first pipette if a defined spacing between the pipettes can be established.

FIG. 3 shows a preferred tip straightener according to a preferred embodiment as applied to a two-pipette pipette head. The tip straightener 75 comprises (1) a tip guide 110, (2) an arm 115, and (3) a linear actuator (not shown). The tip guide 110 serves to define a separation distance between the two pipettes. The separation distance may be any distance required in a particular application, however, to be compatible with standard titer plate formats, preferably the separation distance is 9 mm or an integral fraction thereof, e.g., 9/2 mm, 9/3 mm, 9/4 mm, etc. The pipettes are seated in V-grooves 120 formed in the tip guide. Alternatively, the pipettes may pass through holes through the tip guide. Optionally, the tip guide 110 includes one or more puncture features 125. These puncture features serve to puncture a sealing material covering sample wells, e.g., a Parafilm™ sheet covering a 96-well micro-titer plate. The linear actuator may be any actuator that effects the reciprocal motion of the tip guide 110. Preferably, the tip straightener mechanism includes a positional feedback system.

FIGS. 4-6 shows the tip straightener in operation. FIG. 5 shows the tip straightner in a fully extended position in which the puncture features are puncturing a cover film 130 covering the sample wells 6. In this extended position, the puncture features extend beyond the tips of the pipettes to puncture the cover film. FIG. 4 shows the tip straightner in a fully retracted position. In this position, the tip straightner is separated from the pipette inlets 135 to a maximum extent so as to allow the pipettes to access deep reservoirs or troughs without interference from the tip straightener. FIG. 6 shows the tip straightner in an intermediate position. In this position, the tip straightner provides a rigid spacing between the inlets of the pipettes while at the same time providing sufficient distance between the pipette inlets and the tip guide 110 to allow the pipette inlets 135 to access shallow containment wells. This is the position of the tip straightner when the pipettes are located in a sample well or a loading well.

30

### C. Sample Loading Assembly.

The sample loading assembly of the present invention provides a means for bringing a sample in contact with an inlet of a capillary tube such that the sample can be electrokinetically or hydrodynamically introduced into the capillary tube. Moreover, the sample loading assembly allows for the handling of small volumes of sample, e.g.,  
5 between 0.1 and 5  $\mu$ l volume, and does not require any relative motion between loading wells and the capillary tubes. In addition, the sample loading assembly may provide an electrode and electrode reservoir capable of performing electrokinetic injection of multiple samples located in multiple loading wells. Optionally, the sample loading assembly further provides a means for washing the exterior surface of a pipette associated  
10 with the sample transfer device 25. The capillary tubes 21 within which electrophoresis is performed are fixedly located in the loading wells during operation of the system.

As shown in FIG. 7, a preferred loading assembly according to the present invention comprises (1) a loading bar 150 including multiple loading wells 20, (2) a  
15 loading block 155 for supporting the loading bar, and (3) one or more block supports 160 for supporting the loading block.

1. Loading Bar. According to the preferred embodiment, the loading bar 150 includes one or more loading wells 20, and may serve as an electrode during  
20 electrophoresis. A detailed view of a preferred loading bar is shown in FIGS. 8-10.

The loading wells 20 located in the loading bar 150 include fluid passages 165 for introducing fluids into the loading wells, e.g., wash solvents for washing the loading wells between samples or electrophoresis buffer, and for removing fluids from the  
25 loading well, e.g., drying the loading wells after washing with wash solvents or removing residual sample after an injection step. An expanded cross-sectional view of two loading wells 20 and their associated fluid ports 165 and capillary tubes 21 is shown in FIG. 10.

The fluid passages 165 preferably have relatively small diameters to reduce  
30 unwanted leakage of material out of the loading well 20, and to cause a high flow resistance through the fluid port. This high flow resistance is important to ensure a uniform pressure drop across each of the fluid passages. This uniform pressure drop is

required to avoid uneven flow of fluids through the ports. That is, when applying a vacuum to a rear surface 170 of the loading bar, if the flow resistance across each of the fluid passages is too small, it is difficult to maintain a constant flow through all of the fluid ports, particularly when some loading wells contain fluid and others do not.

5 Preferably, the fluid passages have an internal diameter from about 0.005 to about .02 inches. An inlet 175 to the fluid passage is preferably located at or near the bottom of the loading well to facilitate complete draining of the loading well. In addition, preferably the fluid passage is substantially horizontal to reduce unwanted draining from the loading well and to reduce jetting of fluid from the loading well when introducing fluid into the

10 loading well. To facilitate fabrication of the fluid passages 165, preferably the path length of the passages is small, e.g., less than about 5 mm. To reduce the path length of the fluid passages, the rear surface of the loading bar preferably includes a concave portion 180 in the vicinity of the fluid ports. The fluid passages can be fabricated using any one of a number of well known process, the preferred process depending upon the

15 size of the passage and the material used to form the loading bar. For a metallic loading bar, e.g., 316 stainless steel, preferred passage-forming techniques include electrical discharge machining (EDM), mechanical micro-drilling and laser drilling.

The number of loading wells 20 will generally correspond to the number of

20 capillaries 21 used in the electrophoresis system. However, in some cases, extra loading wells are required to create a uniform pressure distribution across the fluid passages 165, and to ensure that all fluid is removed from the active wells.

As shown in FIG. 10, a front face 190 of the loading bar 150 is preferably tilted

25 at an angle  $\theta$  with respect to horizontal. This tilt angle allows the capillary tubes 21, which are in a horizontal orientation along most of their length, to enter the loading wells without having to bend around a sharp corner. Thus, the separation will not be compromised by a "race-track" effect in which electrophoresis zones are broadened due to path-length differences between inner and outer edges of a bend. However, if the face

30 of the loading well is tilted at too large an angle, material will not be effectively contained in the loading well. Alternatively, if the face of the loading well is tilted at too small an angle, fluid will tend to pool in the well making it more difficult to dry the wells.

Preferred tilt angles  $\theta$  range between about  $20^\circ$  and  $70^\circ$ , with tilt angles of about  $45^\circ$  being most preferred.

5 The pitch (or inter-well spacing) of the loading wells 20 may be any pitch consistent with a given application. However, generally it is preferred to reduce the pitch to a minimum in order to accommodate a maximum number of wells in a given area. Because there is no need for an operator to address the loading wells, and because there is no relative movement between the loading wells and the capillaries, the pitch can be minimized. As was the case for the spacing of the pipettes 56 of the sample transfer  
10 device, preferably the pitch of the loading wells is an integral fraction of 9 mm. A particularly preferred pitch is 2.25 mm. To further increase the density of loading wells, a multi-tier arrangement may be used. For example, the loading wells 20 in FIG. 10 are arranged in a two-tier arrangement, thus providing an effective pitch of 1.125 mm.

15 The loading bar should be made from a material that allows fabrication of the loading wells 20 and fluid passages 165, is chemically compatible with the samples and other materials to which the loading bar will be exposed, e.g., D.I. water, aqueous polymer solutions, acid, organic solvents, and is optionally electrically conductive. Exemplary materials include but are not limited to stainless steel, platinum, gold,  
20 ceramic, glass, and silicon. A particularly preferred material for fabricating the loading bar is 316 stainless steel. Many times it is desirable to treat the surface of the loading bar in order to optimize its surface properties, e.g., the surface may be passivated to reduce the amount of ionic species present, electropolished to remove surface contaminants, or electroplated, e.g., deposition of gold or platinum onto the surface of the loading bar.

25

In an important feature of the present invention, the loading bar 150 may serve as an electrode. By using the loading bar as an electrode, electrokinetic injection of a sample from a loading well 20 into a capillary tube 21 is facilitated because there is no need to place a separate electrode in the loading well. In addition, a more uniform  
30 electric field is produced in the loading well during electrokinetic injection because the electrode effectively surrounds the sample.

## 2. Loading Block.

The loading block serves several important functions in the sample handling system of the present invention. Specifically, these functions include (1) mechanically supporting the loading bar, (2) conducting fluids into and out of the loading bar, (3) providing an electrical connection between the loading bar and a voltage source or ground, (4) furnishing an electrode reservoir for containing an electrolyte, e.g., an electrophoresis buffer, and (5) providing electrical isolation between the loading assembly and the other elements of the capillary electrophoresis system. Optionally, the loading block provides a reservoir for containing a wash solution for washing the exterior surface of the pipette tips of the sample transfer device.

FIG. 11 shows a top view of a preferred loading block **155** of the present invention. As indicated in the figure, the preferred loading block **155** includes main manifold **200**, tip-wash trough **205**, electrode reservoir **210**, and electrode reservoir overflow gutter **215**. FIG. 13 shows a cross-sectional view of the loading block **155** of FIG. 11 depicting various troughs and fluid passages that will be referred to below, and the positioning of the loading bar **150** with respect to the main manifold **200** of the loading block **155**.

The main manifold **200** provides a means for conducting fluids into and out of each of the loading wells **20** of the loading bar **150**. As shown in the cross-sectional view depicted in FIG. 12, the main manifold comprises a manifold recess **225**, manifold passages **230a**, **230b**, **230c**, **230d**, common passage **235**, and main manifold inlet/outlet port **240**.

As best seen in FIG. 13, the loading bar **150** sits on top of the manifold recess **225** such that a chamber is formed by the manifold recess and the loading bar. Preferably, a gasket **226**, e.g., a hydrophobic gasket, is disposed between the manifold recess and the loading bar to ensure a fluid-tight seal.

The main manifold **200** further includes manifold passages **230a-d** for providing fluid communication between the main passage **235** and the manifold recess **225**. In an important feature of the invention, the diameter of each of the

manifold passages **230** and selected to cause an even flow rate of fluid or vacuum through each of the manifold passages irrespective of its proximity to the main manifold inlet/outlet port **240**. Specifically, manifold passages that are farther away from the manifold inlet/outlet port have a larger diameter than manifold passages that are closer to the manifold inlet/outlet port. Thus, the diameter of manifold passage **230a** is greater than that of manifold passage **230b**, which is greater than that of manifold passage **230c**, which is greater than that of manifold passage **230d**.

The main passage **235** of the main manifold **200** serves to provide a common flow path between the manifold passages **230a-d** and the main manifold inlet/outlet port **240**. The main manifold inlet/outlet port **240** serves to provide fluid communication between the main manifold **200** and sources of fluids and/or vacuum, e.g., a liquid diaphragm pump and a vacuum pump.

The tip-wash trough **205** of the loading block **155** serves to contain a tip-wash liquid, e.g., D.I. water, that may be used to wash the exterior surface of the pipette tips at various stages of a sample transfer operation. Preferably, the tip-wash trough **205** is approximately the same length as the loading bar **150** in order to minimize the travel distance between the loading wells **20** and the tip-wash trough. Referring to FIG. 13, liquid enters the tip-wash trough through tip wash manifold **250**, such manifold comprising tip wash inlet/outlet port **255**, tip wash main passage **260**, and tip wash manifold passages **265a, b** and **c**. Referring to FIG. 11, the tip-wash trough further includes an overflow gutter **270** for maintaining a liquid level in the tip-wash trough at or below a maximum level. Liquid exits the overflow gutter **270** through gutter passage **275** and gutter outlet port **281**. In a preferred embodiment of the tip-wash trough **205**, the trough includes a set of tip wash manifold passages **265b** and **265c** whose spacing is the same as that of the pipettes **56** of the sample transfer device **25**. When the pipettes are inserted into these passages, fluid can be pumped through the passages to effect an agitation thereby enhancing the efficacy of the tip wash.

30

The electrode reservoir **210** serves to contain an electrolyte in electrical communication with an electrode and loading wells **20** for supplying ionic species

required to perform electrophoresis. The electrode reservoir includes main trough 280, and overflow trough 215. The main trough 280 includes outlet passage 285 and outlet port 290. The overflow trough 215 includes outlet passage 295 and outlet port 300. Fluid enters the electrode reservoir through the fluid passages 165 of the loading bar 150. 5 The maximum fluid level in the electrode reservoir is determined by a height of front edge 310 of the overflow trough 215. Fluid is removed from the main trough 280 through drain passage 285 and outlet port 290.

When the loading bar 150 serves as an electrode, the loading bar is connected to a 10 voltage source or ground through electrical connector 305.

The location of the loading block in the capillary electrophoresis system of the invention may be adjusted based on the length of the capillary tubes employed in a given analysis. Thus, when shorter capillaries are used, prior to performing electrophoresis, the 15 loading block may be positioned in a block support location closer to a detector.

### 3. Associated Fluidics.

FIG. 14 shows a schematic plumbing diagram indicating fluidics used to control the flow of fluids to and from the sample loading assembly 15. First solenoid valve 315 is 20 in fluid connection with the tip-wash inlet/outlet port 255 and controls the flow of fluid into and out of the tip-wash trough 205. First solenoid valve 315 is in fluid connection with first multi-port selector valve 320 for selecting between a vacuum and a tip-wash fluid. Second solenoid valve 325 is in fluid connection with the main manifold inlet/outlet port 240 and controls the flow of fluid into and out of the main manifold 200. 25 Second solenoid valve 325 is also in fluid connection with second multi-port selector valve 330 for selecting between a vacuum, a wash fluid and an electrophoresis buffer. Third solenoid valve 335 is in fluid connection with the electrode reservoir outlet port 290 and controls the flow of fluid out of the main trough 280 of the electrode reservoir 210. The output of the third solenoid valve 335 simply drains to waste. The outlet port 30 300 of the electrode reservoir overflow trough 215, and the outlet 281 of the overflow gutter 270 both drain to waste.

### III. ADDITIONAL FEATURES.

The electrophoresis device of the invention also includes other elements required to conduct a capillary electrophoresis process, e.g., electrodes in electrical communication with the capillary outlets, a power supply connected to the electrodes  
 5 for creating an electrical field within the lumen of the capillaries, a detection system for detecting samples subsequent to electrophoresis, a temperature controller for controlling the temperature of the device, and a computer to control the functions of the device and for data collection and analysis. Details of these and other common features of an operable capillary electrophoresis device may be found in any number  
 10 of available publications, e.g., *Capillary Electrophoresis Theory and Practice*, Grossman and Colburn, eds., Academic Press (1992). A particularly preferred sheath-flow detection cell and replaceable capillary array are described in U.S. patent no. 6,162,341 filed on or about September 11, 1998, titled "Multi-Channel Capillary Electrophoresis Device Including Sheath-Flow Cuvette and Replaceable Capillary  
 15 Array" by Nordman et al..

### IV. OPERATION OF INPUT SAMPLE HANDLING SYSTEM

The preferred embodiment of the sample handling system described above operates as follows.

20

First, loading wells **20** are flushed with a wash fluid, e.g., D.I. water. The flush is performed by flowing a wash fluid into main manifold **200** through the main manifold inlet/outlet port **240**, through common passage **235**, through manifold passages **230**, and into manifold recess **225**, and out fluid passages **165**. The wash  
 25 fluid then overflows from the loading wells **20**, drains into the main trough **280** of the electrode reservoir **210**, and through outlet passage **285** and outlet port **290**. Thus, referring to the diagram of FIG. 14, during the flush step solenoid valves **325** and **335** are open, and multi-port selector valve **330** is open to a wash fluid.

30

Next loading wells **20** are dried in preparation for loading of the samples. It is important to dry the loading wells prior to loading the wells with samples to avoid dilution of the samples with wash fluid and/or cross-contamination between different

samples. To effect the drying of the loading wells, a vacuum is applied to main manifold **200**, thereby pulling any liquid located in the loading wells **20** out of the loading wells through fluid passages **165**. Thus, referring to FIG. 14, during the well drying step, solenoid valve **325** is open and multi-port selector valve **330** is open to vacuum.

In an important step of the process of the preferred embodiment, once the loading wells **20** have been dried, the valves and fluid lines leading to or from the electrode reservoir **210** and the main manifold **200** is dried. This is done to ensure that when voltage is applied to an electrode in the electrode reservoir during sample injection, none of the resulting current escapes through the valves or fluid lines associated with the electrode reservoir or main manifold. The valves and fluid lines are dried by opening multi-port selector valves **320** and **330**, and venting the fluid lines between the solenoid valves and the multi-port selector valves to atmosphere (vents not shown).

Next tip wash trough **205** is filled with a tip wash fluid. Fluid enters the tip wash trough **205** through tip wash inlet/outlet port **255** and tip wash manifold passages **265a-c**. The level of fluid in the tip wash trough **205** is governed by the height of a front face **272** of gutter **270**. When the fluid level in the trough reaches the height of the front face of the gutter, liquid drains from the trough into the gutter, and out of the gutter through gutter outlet passage **275** and gutter outlet port **281**. Thus, referring to FIG. 14, during the tip wash trough filling step, solenoid valve **315** is open, and multi-port selector valve **320** is open to tip wash fluid.

Next, samples are transferred from the work surface **5** to the loading wells **20** by the sample transfer device **25**. To effect the sample transfer, pipettes **56** are immersed in samples located in selected sample wells **36**, and samples are aspirated into the pipettes by application of a vacuum to the pipettes through fluid channels **95**. The sample transfer device **25** then moves the pipettes to selected loading wells **20**, and the samples are ejected from the pipettes **56** by pressurizing fluid channels **95**. In a preferred transfer, approximately 2.5  $\mu\text{l}$  of material is deposited in each loading well.

Once the pipettes 56 have ejected the samples into the loading wells 20, the pipettes may be passed through the tip wash trough 205 to remove any sample that may remain on the external surface of the pipettes. Removal of such sample is desirable to reduce the likelihood of cross-contamination between samples. In an important feature of the preferred embodiment, the pipettes are immersed in the tip wash trough 205 while the pipettes are moving from one end of the trough to the other. Immersing the pipettes while they are moving provides at least two advantages over static immersion. First, because the robot arm 50 of the sample transfer device does not have to decelerate during the tip wash step, the step is faster. Second, the relative motion between the pipettes 56 and the tip wash fluid results in a more thorough washing. Also, the inside of the pipettes may be washed by pumping a wash fluid through the pipette through fluid channel 95

The steps of transferring sample from the work surface 5 to the loading wells 20, and washing the pipettes between sample transfers, are repeated until all the samples that are to be analyzed have been transferred.

Once the loading wells 20 have been prepared to receive samples, and the samples have been transferred from the work surface 5 to the loading wells, then the samples are electrokinetically injected into the capillaries 21. Such electrokinetic injection is performed using conventional techniques by imposing an electrical potential difference between the sample located in the loading well and the lumen of the capillary tube. In the preferred embodiment, this is achieved by employing the loading bar 150 as one of two electrodes used to effect the electrical potential difference. While in the preferred embodiment, sample are injected electrokinetically, hydrodynamic injection may also be used, i.e., by applying a pressure difference across the capillary tubes.

After the samples have been injected into the capillaries 21, any sample material remaining in the loading wells is flushed from the loading wells 20 by flowing a wash solution through the loading wells as described above with respect to the first loading well flushing step. However, this flushing step must not be so violent as to disturb the samples that have been injected into the capillary tubes. Thus, a lower velocity flow may be desirable for this loading well flush relative to the first loading well flush.

Next, prior to beginning the electrophoresis, the electrode reservoir **210** is filled with an electrolyte, e.g., an electrophoresis buffer. The electrode reservoir is filled by flowing the buffer into the main manifold **200** and out the fluid passages **165** until the electrode reservoir **210** is filled to the level of the front edge **310** of the overflow trough **215**. Fluid entering the overflow trough **215** then exits the trough through outlet passage **295** and outlet port **300**. Thus, referring to the diagram of FIG. 14, during the electrode reservoir filling step solenoid valve **325** is open, and multi-port selector valve **330** is open to electrophoresis buffer. When the electrode reservoir **210** is filled to the level of the front edge **310** of the overflow trough **215**, the loading bar **150** will be largely submerged in electrolyte.

Before conducting the electrophoretic separation, the fluid lines serving the electrode reservoir **210** and main manifold **200** are again dried as described above to ensure the electrical isolation of the fluid delivery system from the electrophoretic voltage. As before, this is done to ensure that when voltage is applied to the loading bar **150** during electrophoresis, none of the resulting current escapes through the fluid lines associated with the electrode reservoir **210** or main manifold **200**.

Although only a few embodiments have been described in detail above, those having ordinary skill in the electrophoresis and mechanical arts will clearly understand that many variations and modifications are possible in the preferred embodiment without departing from the broader teachings thereof. For example, while the preferred embodiment has been described as having a three axis robot as part of the sample transfer device, it is recognized that the robot may have fewer than three axes. In such a case, the work surface may be mobile with respect to one or two axes. In addition, while the multi-axis robot of the preferred embodiment includes a positional feedback mechanism, the robot may be operated using an open-loop control scheme with no positional feedback, \_\_\_\_\_

e.g., using stepper motors having step-tracking capability. Furthermore, while the loading wells have been described as having fluid passages to move fluid into and out of the wells, such passages are not required. That is, fluids may be moved into and out of the loading wells using the sample transfer device or other robotic means. Additionally,  
5 while the description of the pipette head focused on the use of pipettes to transport fluids, other devices may be also be used, e.g., quills, pins, mechanical grippers and the like. All such variations and modifications are intended to be encompassed within the following claims.

**CLAIM:**

1. A sample handling system in a multi-channel capillary electrophoresis apparatus comprising:
  - 5 a work surface for supporting a plurality of samples located at a plurality of work surface coordinates; wherein the temperature of the work surface is controlled by a temperature controller;
    - a sample loading assembly comprising a plurality of loading wells;
      - 10 wherein at least one of the loading wells includes a capillary fixedly positioned therein; and
        - a programmable sample transfer device for transferring a sample from a work surface coordinate to a loading well.
  - 15 2. The apparatus of claim 1, wherein the work surface comprises one or more tray recesses for accommodating one or more replaceable sample trays.
  3. The apparatus of claim 2, wherein the one or more tray recesses comprise a tray locking mechanism.
  - 20 4. The apparatus of claim 1, wherein the work surface comprises one or more standard wells.
  5. The apparatus of claim 1, wherein the sample transfer device comprises a multi-axis robot having an arm.
  - 25 6. The apparatus of claim 5, wherein the sample transfer device includes a pipette head located on the arm.
  7. The apparatus of claim 6, wherein the pipette head comprises a tip straightner  
30 mechanism.
  8. The apparatus of claim 1, wherein the sample transfer device is programmed such that one-to-one correspondence between work surface coordinates and loading wells is not required.

9. The apparatus of claim 1, wherein the plurality of loading wells are located in a loading bar which serves as an electrode.
- 5 10. The apparatus of claim 1, wherein the loading wells comprise fluid passages for conducting fluids into and out of the loading wells.
11. The apparatus of claim 10, wherein the fluid passages are in fluid communication with a main manifold for supplying at least one of fluids and vacuum  
10 to the loading wells through the fluid passages.
12. The apparatus of claim 11, wherein the fluid passages have an internal diameter from about 0.005 inches to 0.05 inches.
- 15 13. A method for handling a sample in a multi-channel capillary electrophoresis apparatus, said apparatus having a temperature controlled work surface, said method comprising:
- non-fixedly corresponding a work surface coordinate with a loading well not located on the work surface;
- 20 providing the sample located on the work surface at the work surface coordinate;
- transferring the sample from the work surface coordinate to the corresponding loading well; and
- injecting the sample from the loading well into a capillary electrophoresis  
25 capillary.
14. The method of claim 13, wherein the work surface coordinate is defined by a sample well.  
30
15. The method of claim 13 or 14, wherein the loading well is located in a sample loading assembly.
16. The method of one of claims 13-15, wherein the injecting is performed by  
35 electrokinetic injection.

17. The method of claim 13, further comprising:

in the event that said loading well is inoperative, prior to said transferring changing said correspondence by corresponding said work surface coordinate with an operative loading well not located on the work surface.

5

18. A sample handling system in a multi-channel capillary electrophoresis apparatus comprising:

a work surface for supporting a plurality of samples located at a plurality of work surface coordinates;

10 a sample loading assembly comprising a plurality of loading wells, wherein the plurality of loading wells are located in a loading bar which serves as an electrode;

a capillary;

a programmable sample transfer device for transferring a sample from a work surface coordinate to a loading well; and

15 wherein at least one of the loading wells is adapted for fluid communication with said capillary.

19. An apparatus according to claim 18, wherein the work surface comprises one or more tray recesses for accommodating one or more replaceable sample trays.

20

20. An apparatus according to claim 19, wherein one or more tray recesses comprise a tray locking mechanism.

21. An apparatus according to one of claims 18-20, wherein the work surface  
25 comprises one or more standard wells.

22. An apparatus according to one or claims 18-21, wherein the sample transfer device comprises a multi-axis robot having an arm.

30 23. An apparatus according to claim 22, wherein the sample transfer device includes a pipette head located on the arm.

24. An apparatus according to one of claims 18-23, wherein the sample transfer device is programmed such that a one-to-one correspondence between a work surface coordinate and a loading well is not required.
- 5 25. An apparatus according to one of claims 18-24, wherein the loading wells comprise fluid passages for conducting fluids into an out of the loading wells.
26. An apparatus according to claim 25, wherein the fluid passages are in fluid communication with a main manifold for supplying at least one of fluids and vacuum  
10 to the loading wells through the fluid passages.
27. An apparatus according to one of claims 25-26, wherein the fluid passages having an internal diameter from about 0.13 mm (0.005 inches) to about 1.3 mm (0.05 inches).  
15
28. An apparatus according to one of claims 18-27, wherein said capillary is fixedly positioned in said at least one loading well.
29. A loading bar for use in the sample handling system of any one of claims 1 to  
20 28, said loading bar comprising:  
said plurality of loading wells for receiving fluids therein; and  
means for receiving electrical voltage so that, in use, said loading bar serves as said electrode.
- 25 30. A loading bar according to claim 29, said loading bar being formed of stainless steel.
31. A loading bar according to one of claims 29-30, said loading bar being constructed such that, upon application of voltage said loading bar, there will be a  
30 more uniform electric field produced in at least one of said loading wells during electrokinetic injection than would be produced by a separate electrode in said at least one loading well.

32. A sample loading assembly comprising:  
The loading bar according to one of claims 29-31; and a loading block for supporting the loading bar.
- 5 33. A sample loading assembly according to claim 32, further comprising one or more block supports for supporting the loading block.
34. A method for handling a sample in a multi-channel capillary electrophoresis apparatus comprising:  
10 providing a sample located on a work surface at a work surface coordinate;  
transferring the sample from the work surface coordinate to a loading well located in a loading bar which serves as an electrode; and  
injecting the sample from the loading well into capillary electrophoresis capillary.
- 15 35. A method according to claim 34, wherein the work surface coordinate is defined by a sample well.
36. A method according to one of claims 34-35, wherein the loading well is  
20 located in a sample loading assembly.
37. A method according to any one of claims 34-36, wherein the injecting is performed by electrokinetic injection.
- 25 38. A method according to any one of claims 34-37, further including applying a voltage to said loading bar so as to cause said loading bar to serve as said electrode.

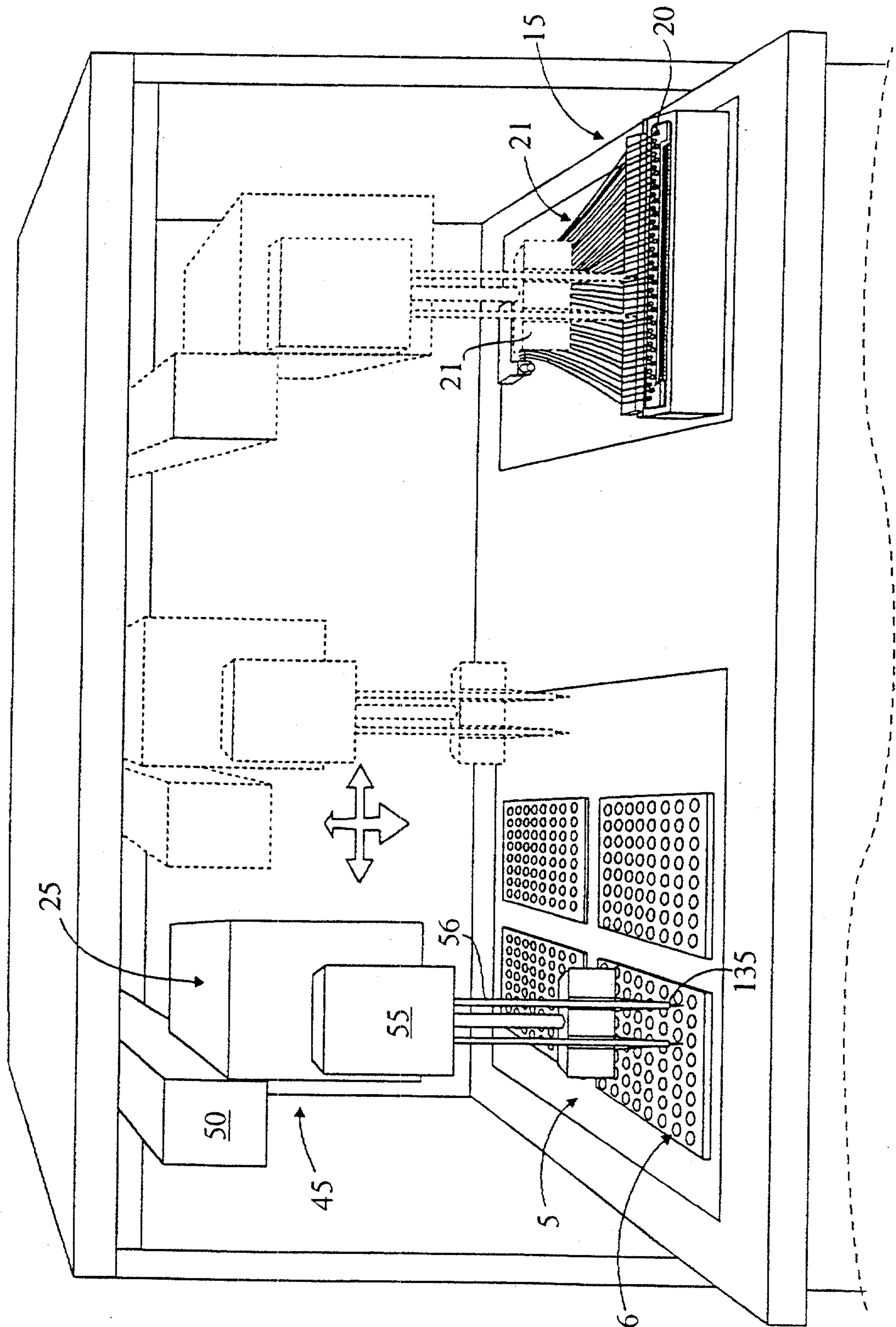


Fig. 1

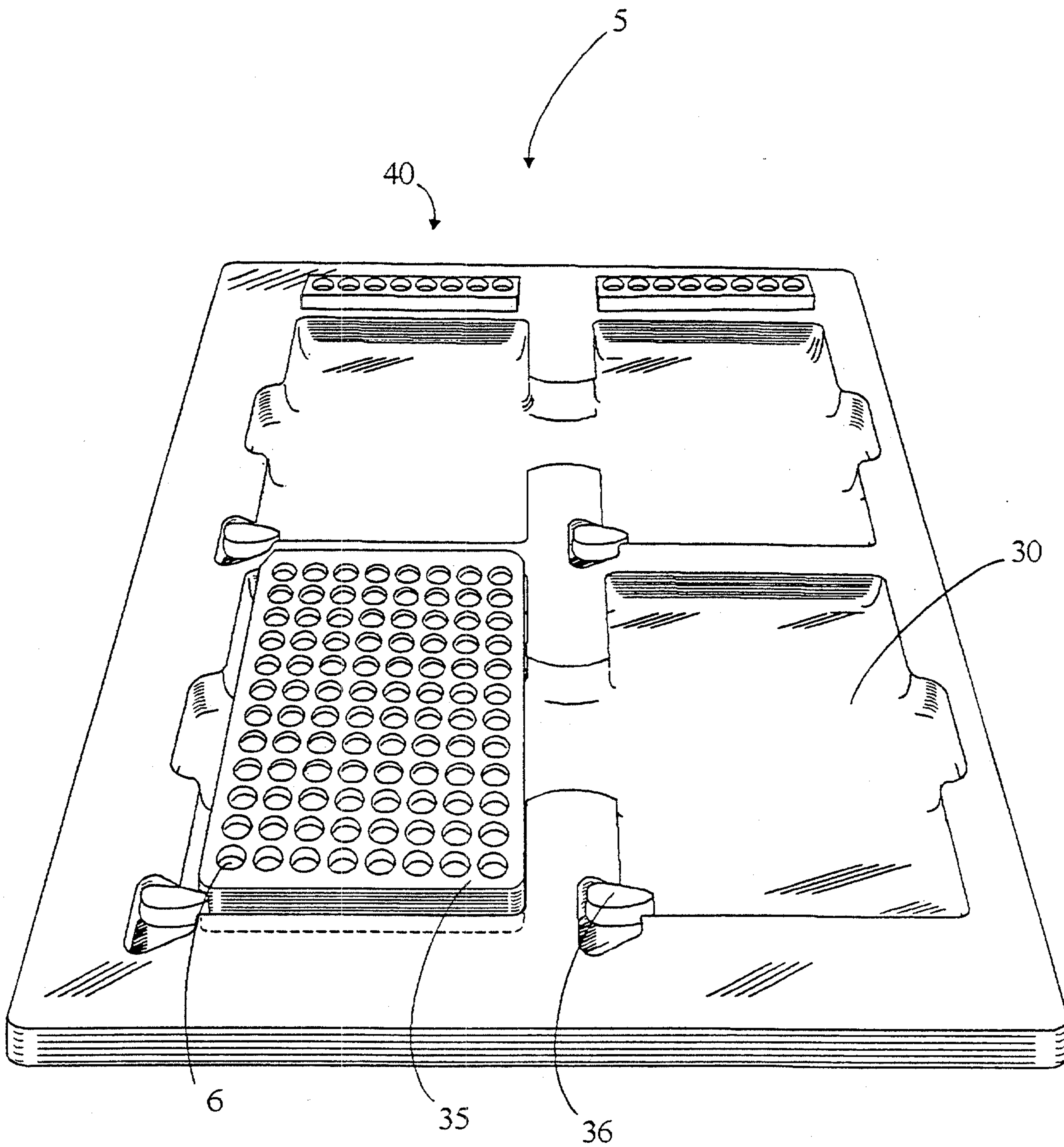


Fig. 2

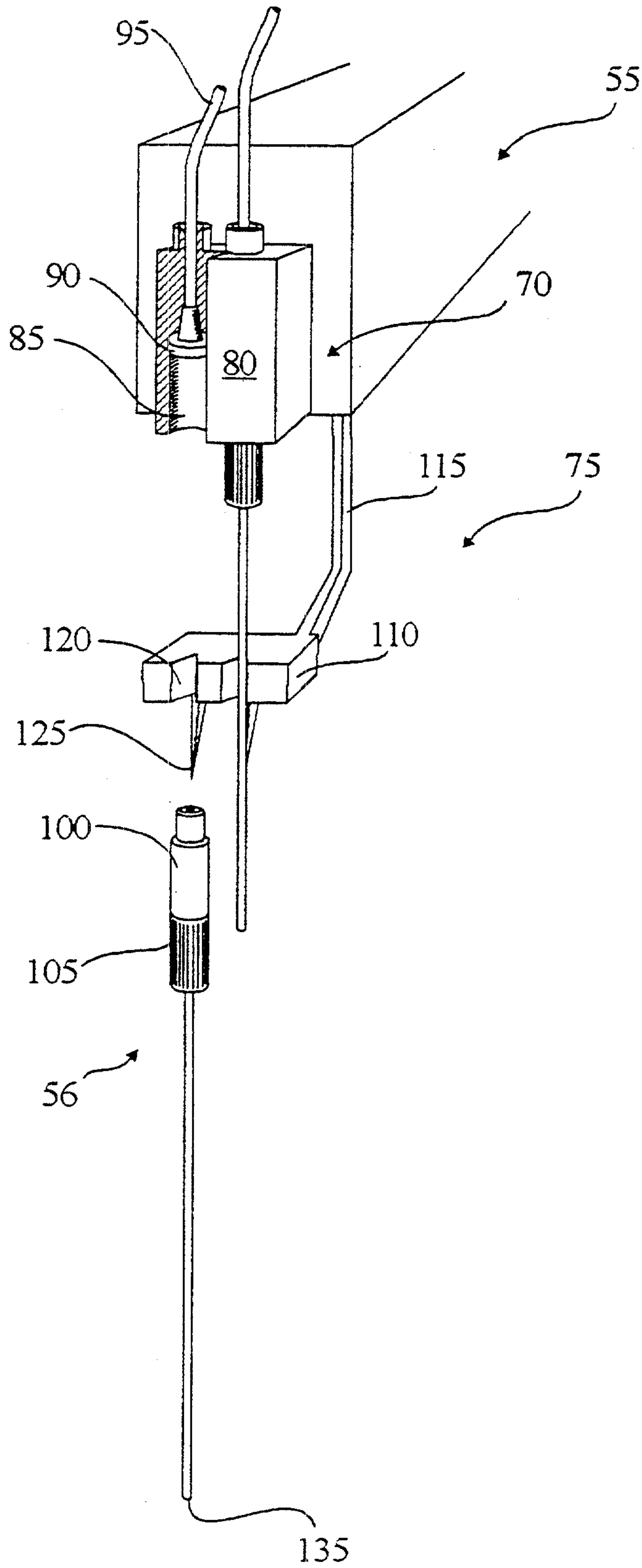


Fig. 3

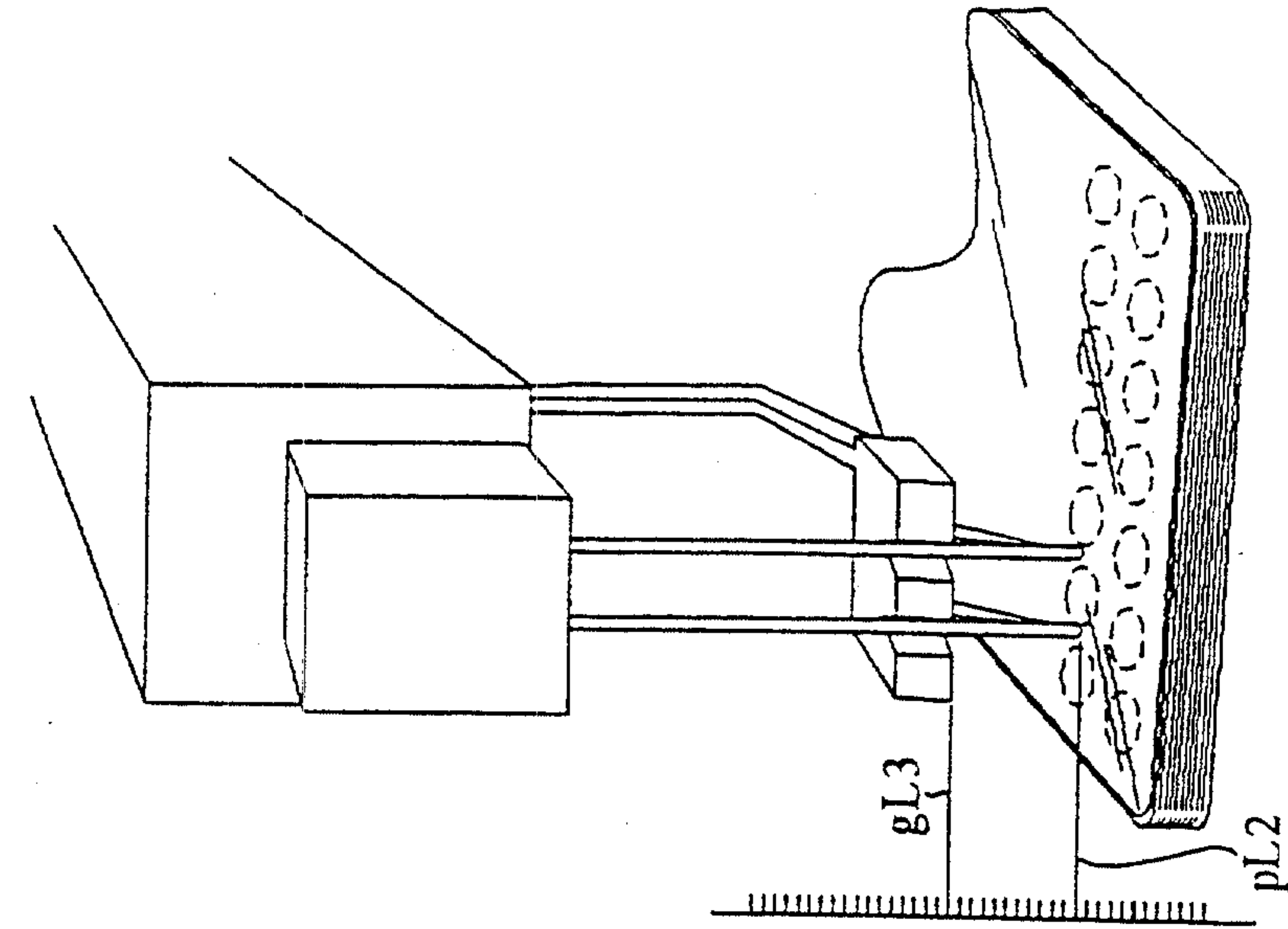


Fig. 4

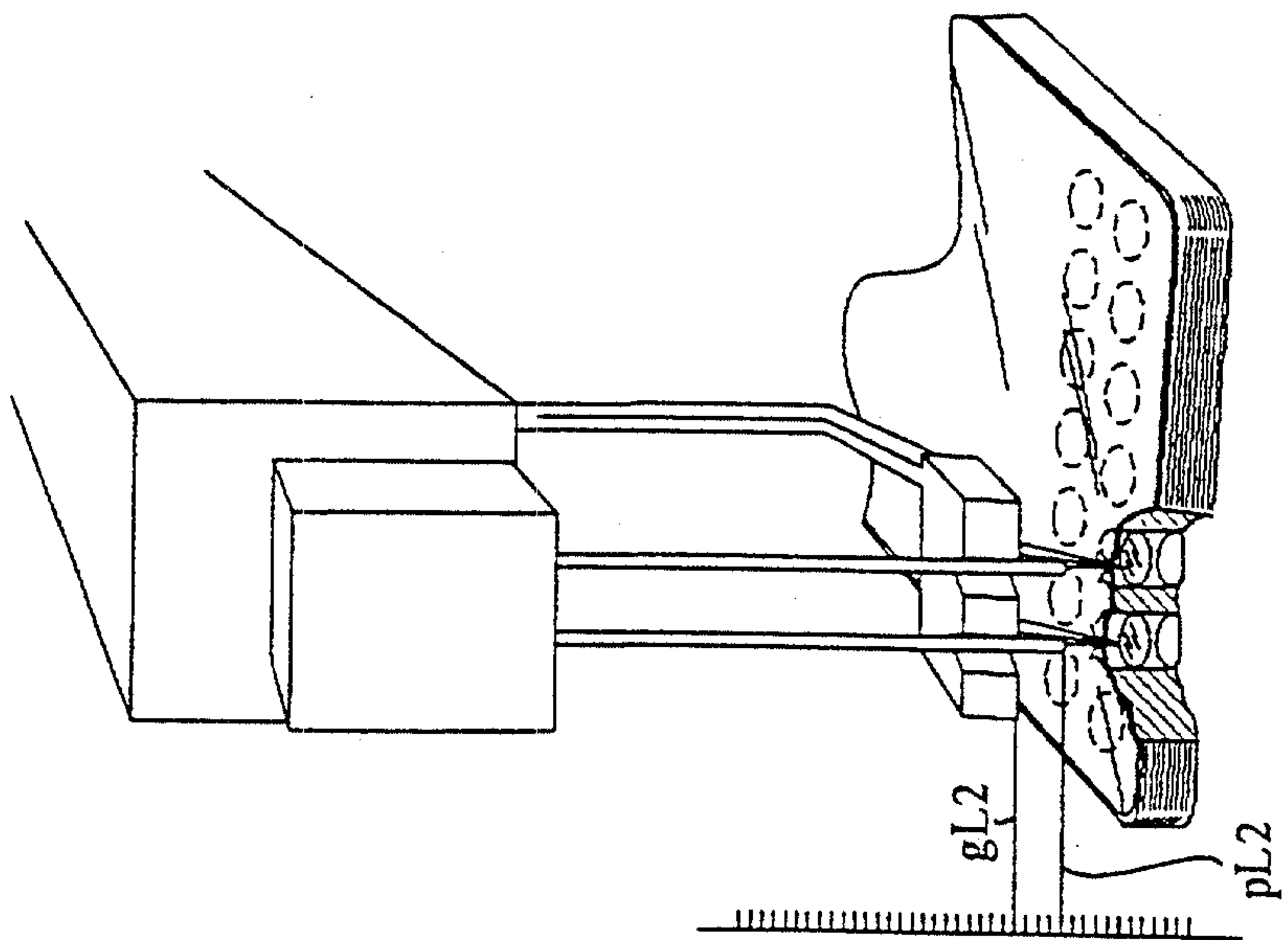


Fig. 5

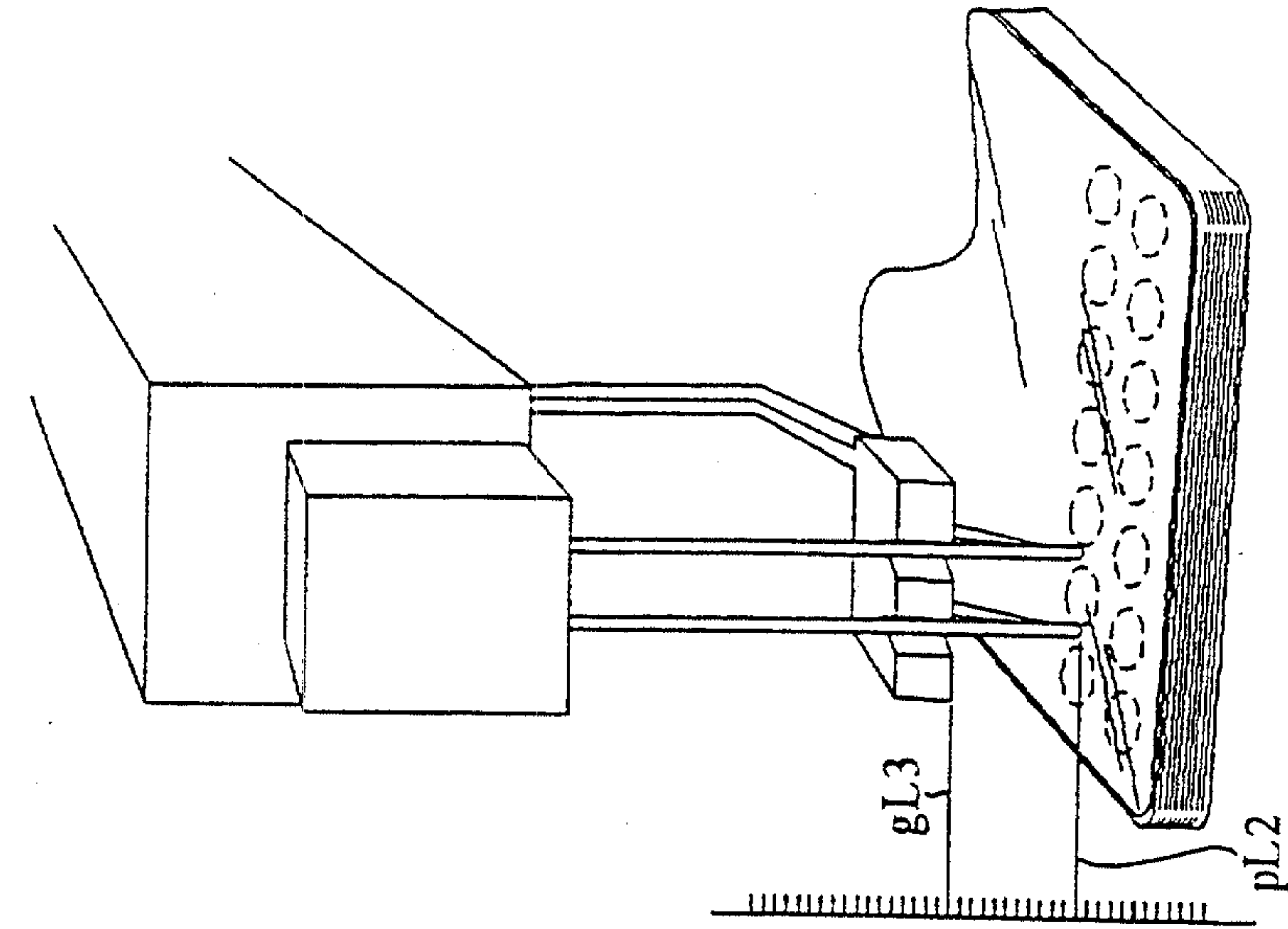


Fig. 6

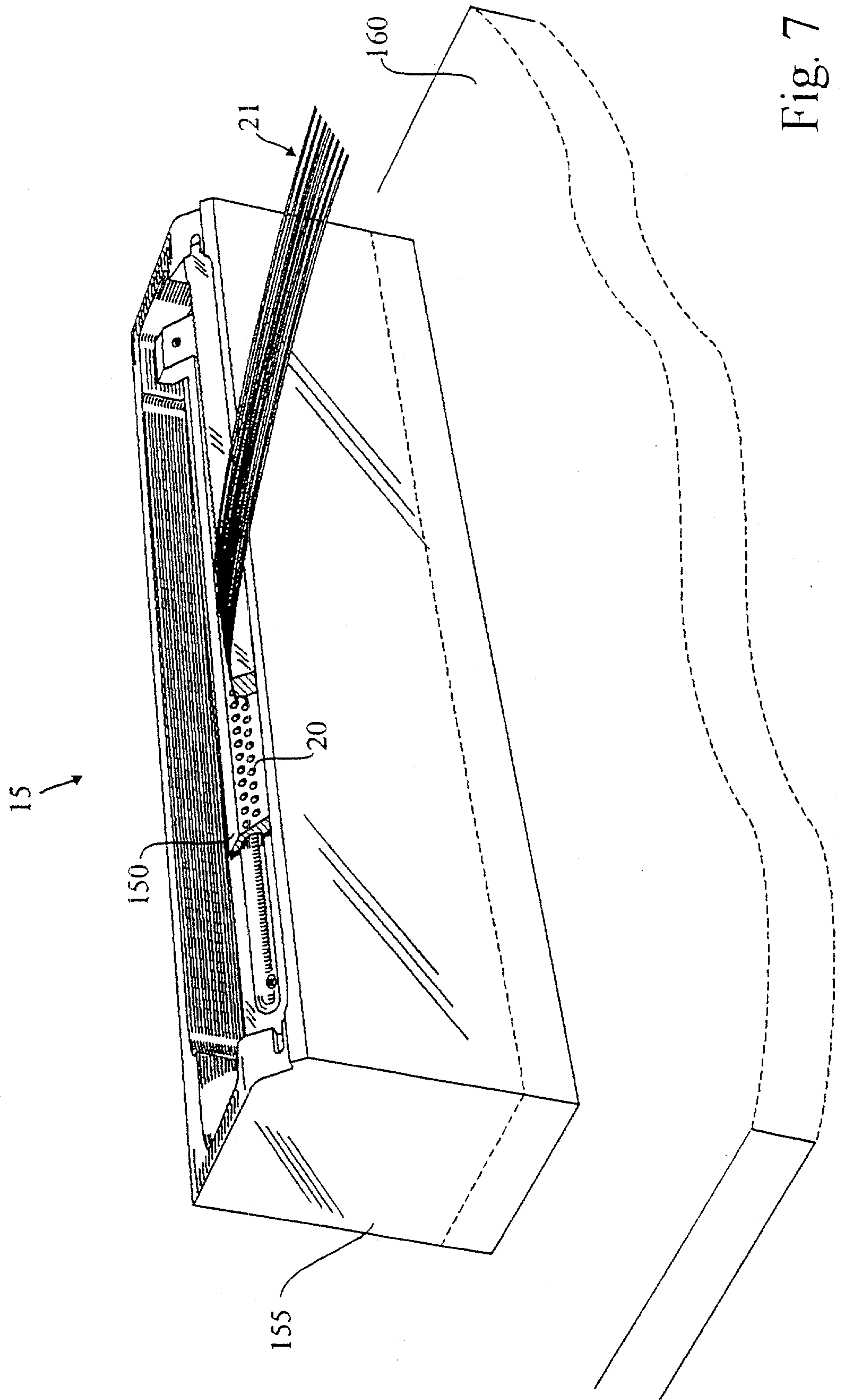


Fig. 7

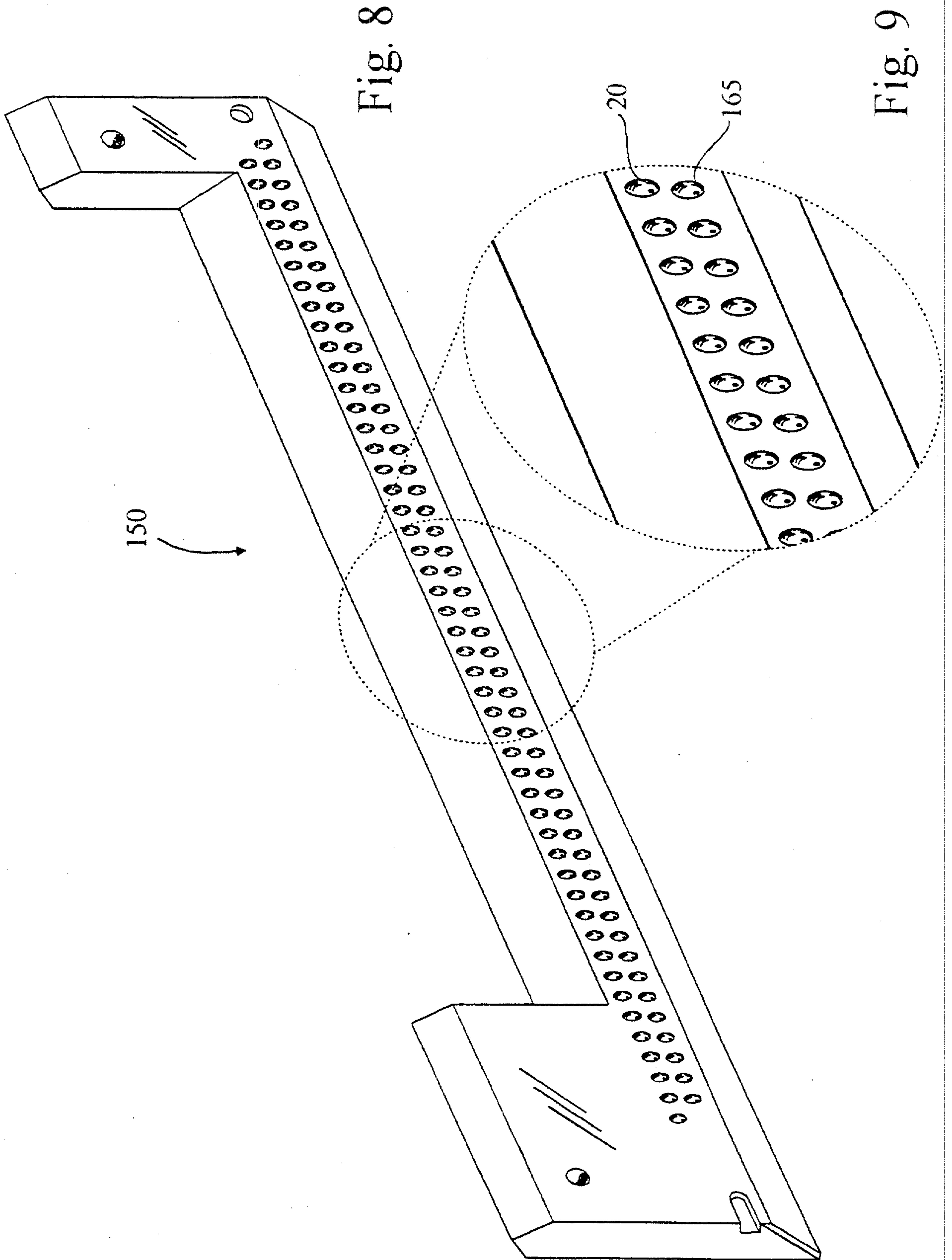
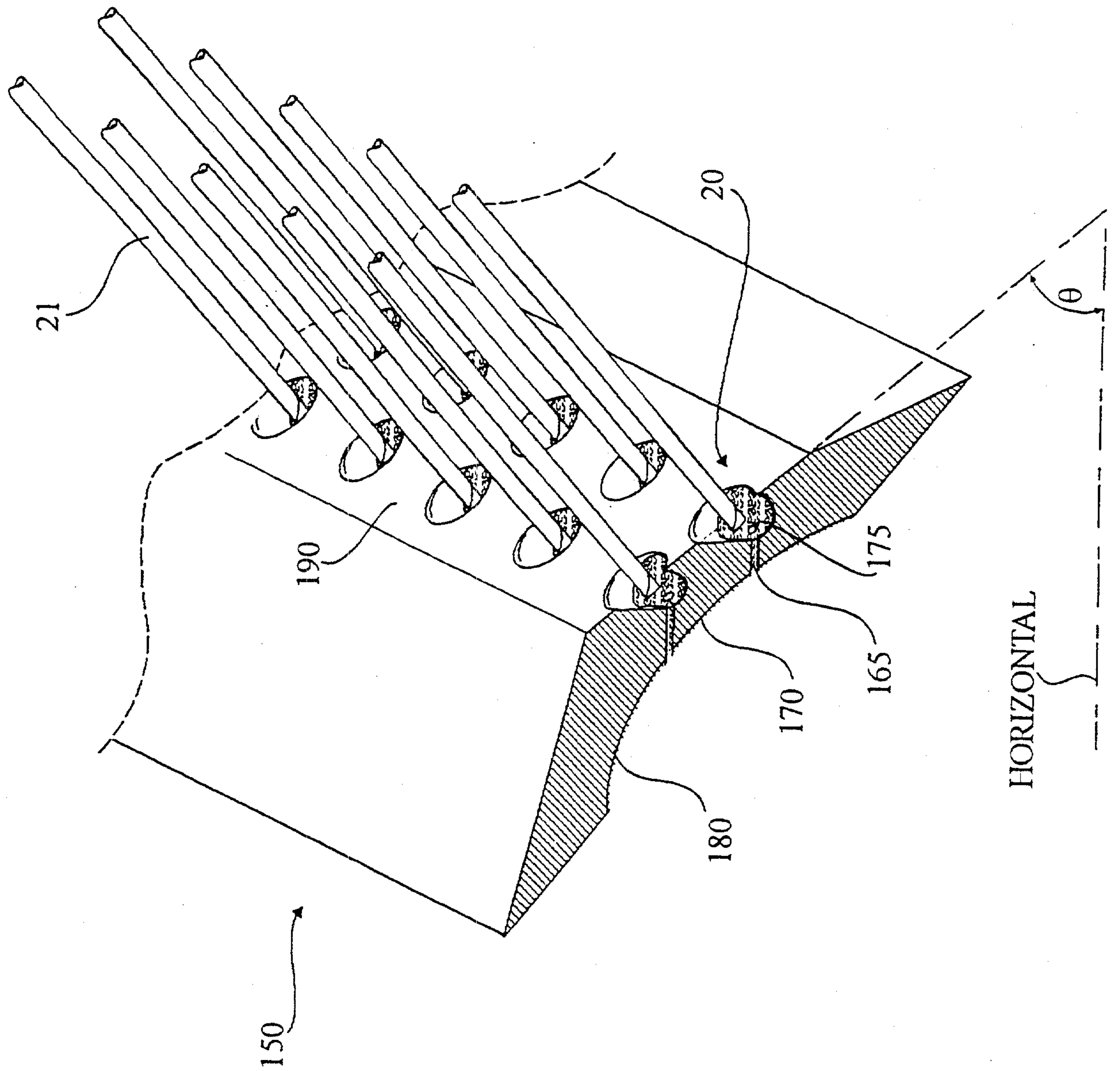


Fig. 8

Fig. 9



HORIZONTAL

Fig. 10

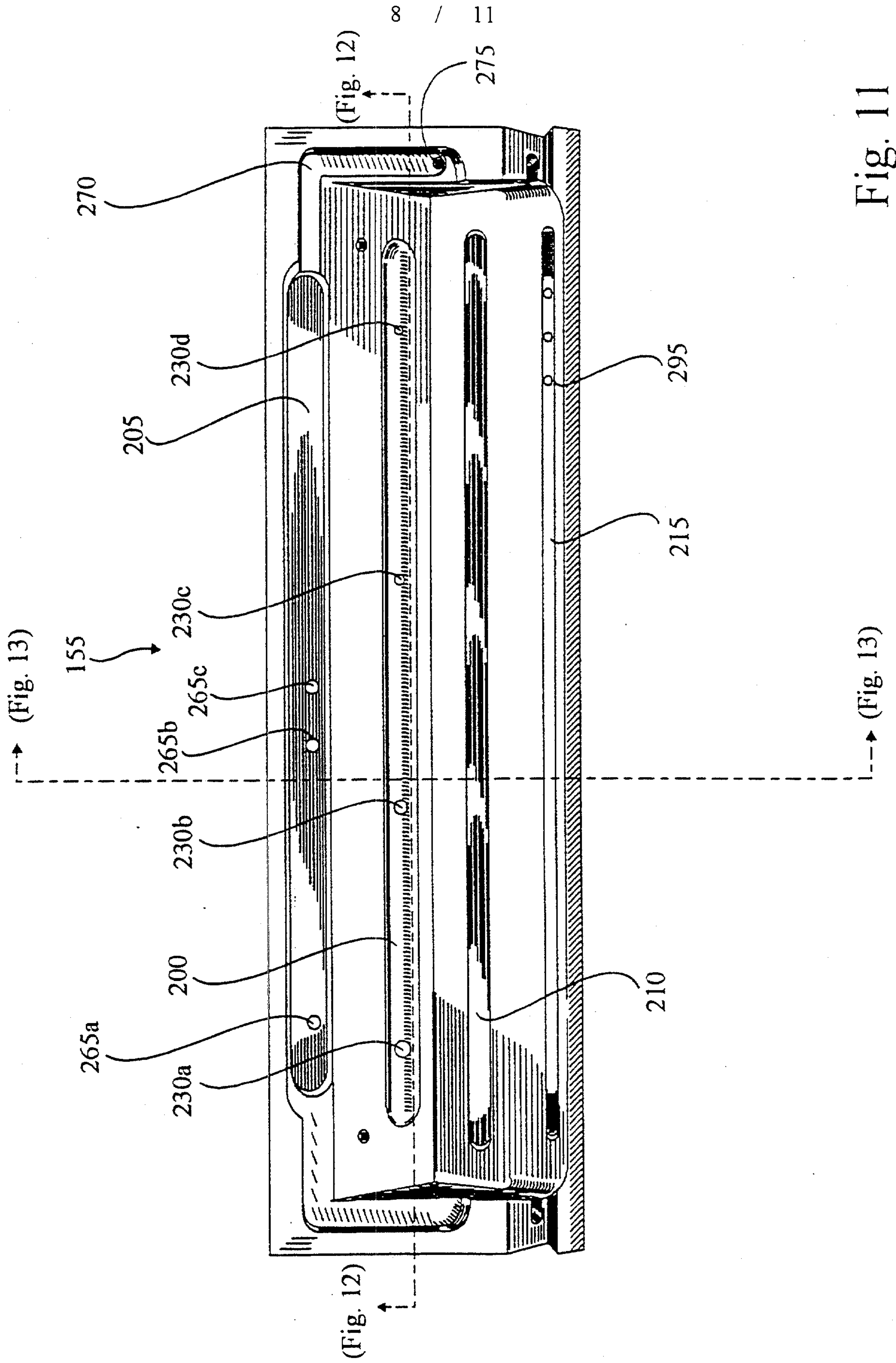


Fig. 11

(Fig. 13)

(Fig. 12)

(Fig. 12)

8 / 11

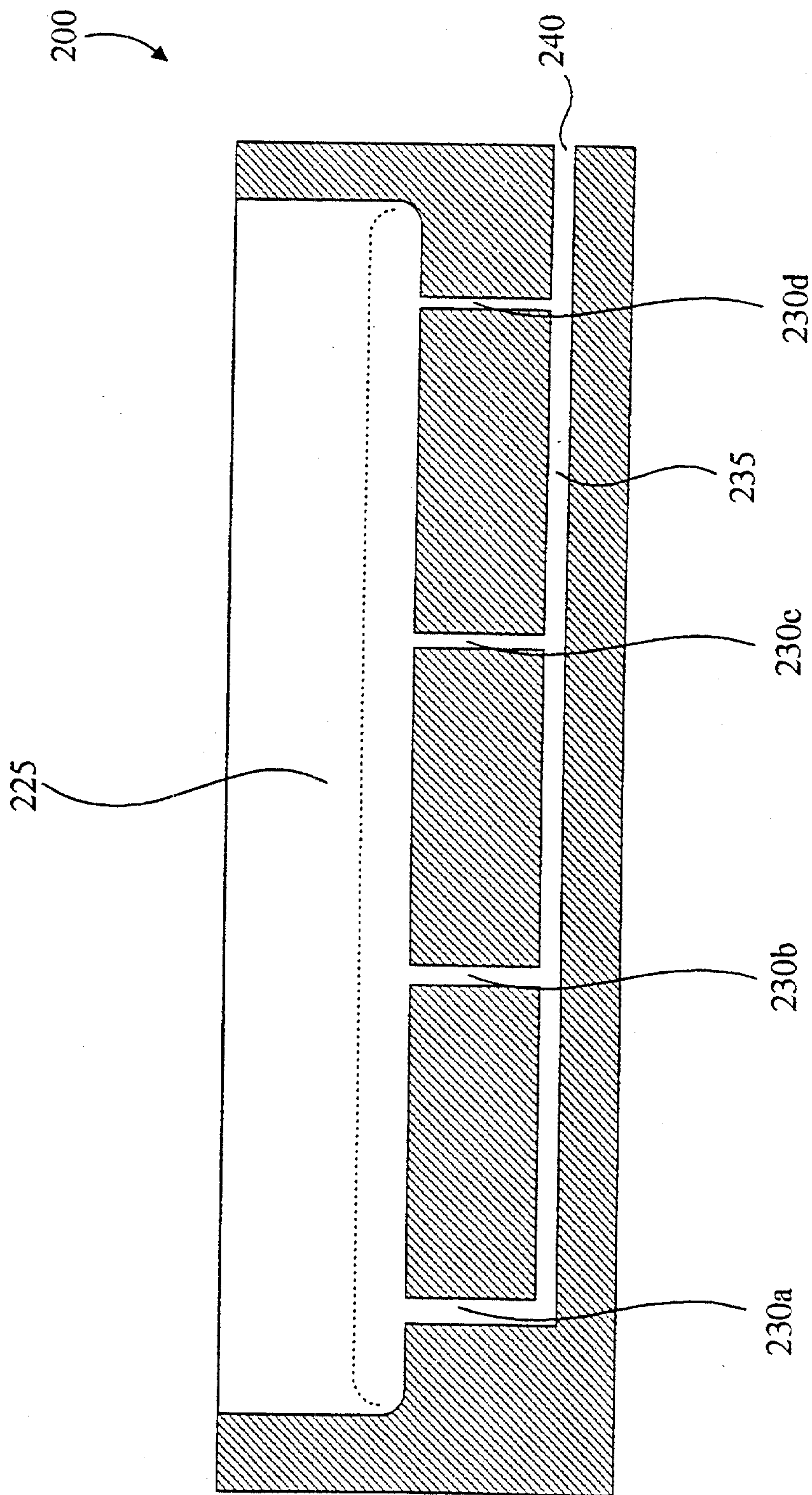


Fig. 12

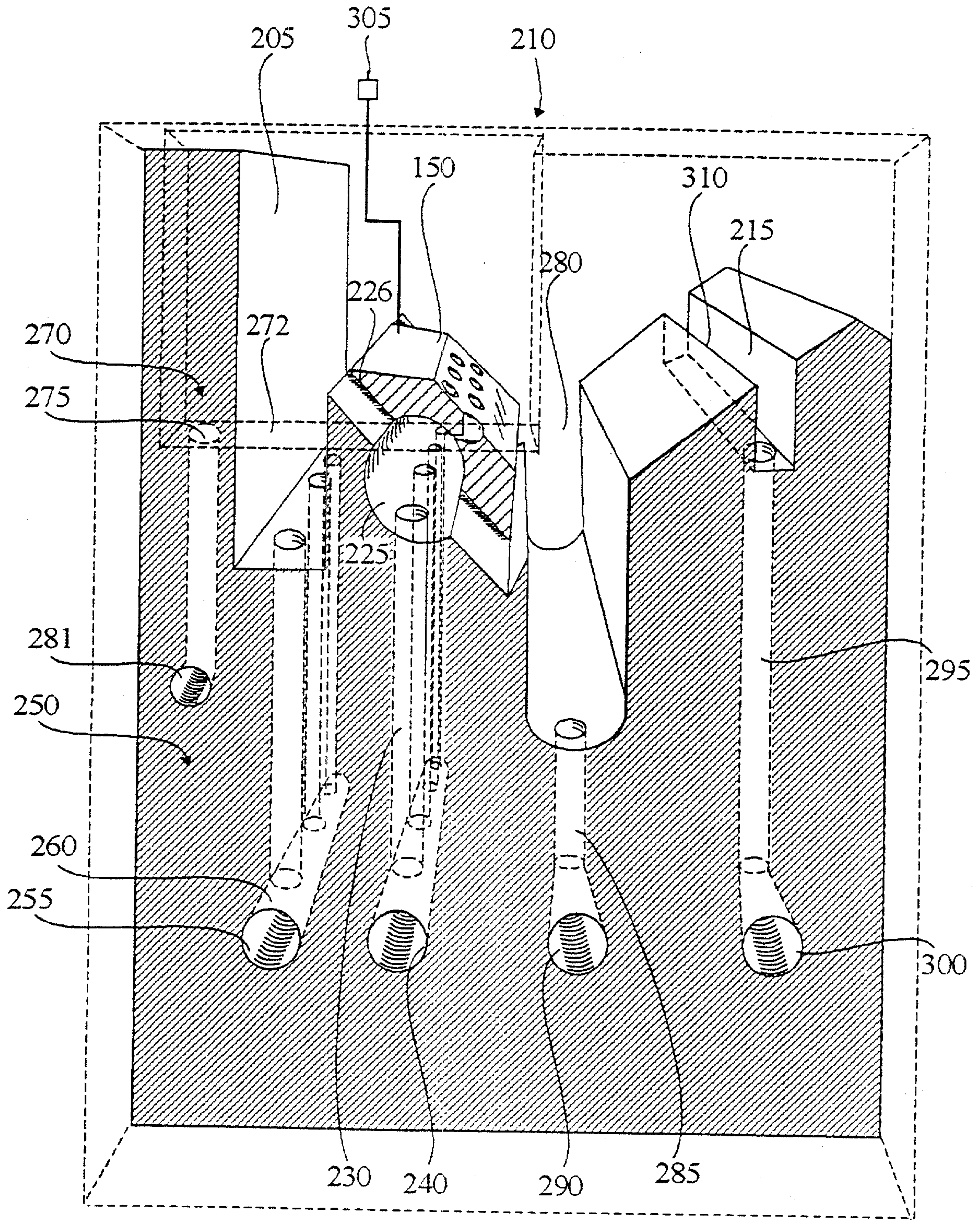


Fig. 13

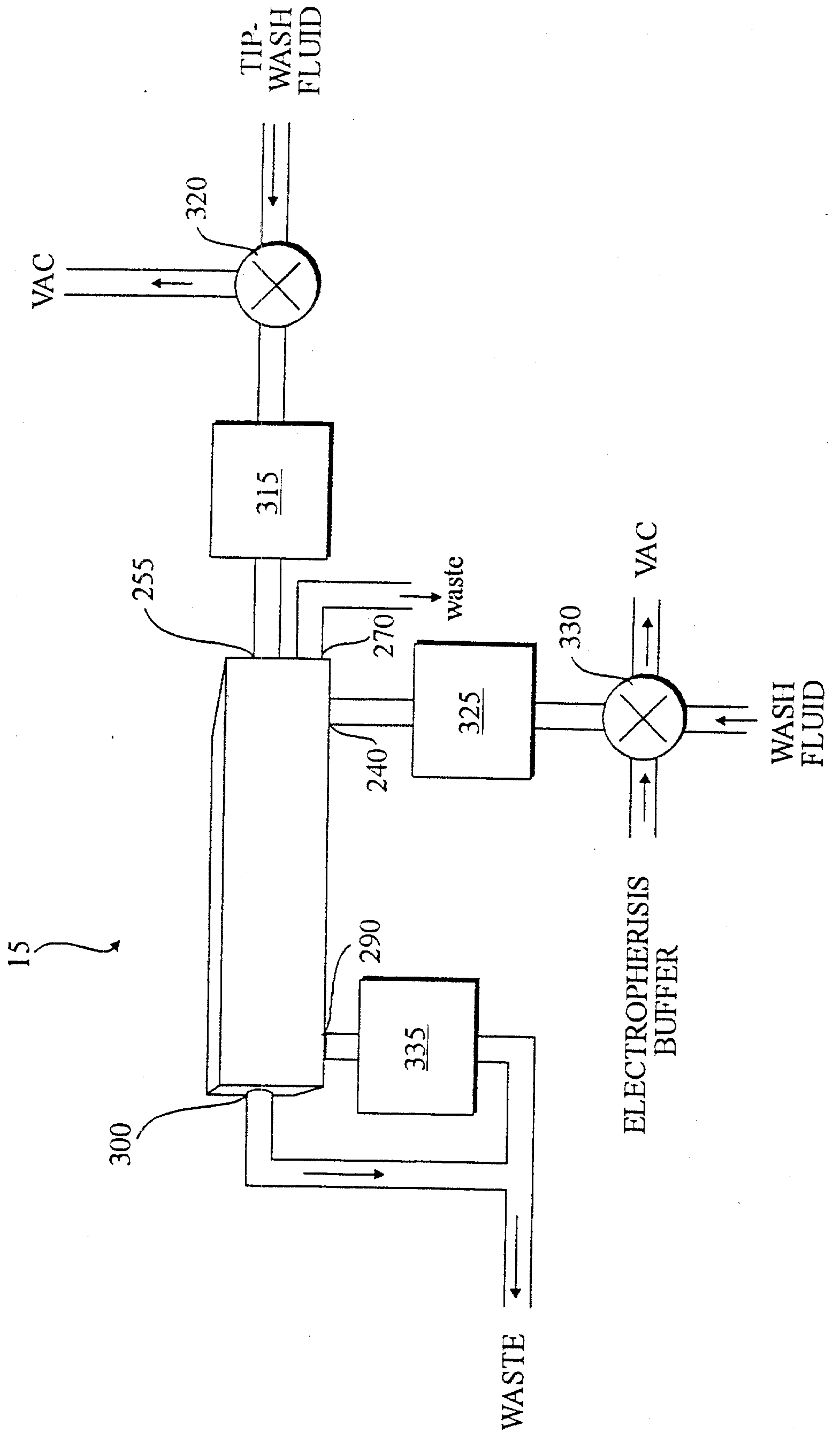


Fig. 14

