



US00D412489S

United States Patent [19]

[11] Patent Number: **Des. 412,489**

Middlehurst et al.

[45] Date of Patent: **** Aug. 3, 1999**

[54] **ELECTRICAL CONNECTOR HOUSING**

[75] Inventors: **Richard J. Middlehurst**, Fremont;
Jason S. Sloey, Milpitas, both of Calif.

[73] Assignee: **Elcon Products International**,
Fremont, Calif.

[**] Term: **14 Years**

[21] Appl. No.: **29/086,730**

[22] Filed: **Apr. 16, 1998**

[51] **LOC (6) Cl.** **13-03**

[52] **U.S. Cl.** **D13/147**

[58] **Field of Search** D13/146, 147;
439/78, 79, 540.1, 541.5, 569, 573, 564,
607, 650, 677, 680, 206, 638

4,749,357	6/1988	Foley .	
4,824,380	4/1989	Matthews .	
4,854,899	8/1989	Matthews .	
4,946,392	8/1990	Kobler et al. .	
4,983,127	1/1991	Kawai et al. .	
5,055,055	10/1991	Bakker .	
5,088,942	2/1992	Welsh et al. .	
5,211,589	5/1993	McCardell .	
5,306,182	4/1994	Fukushima et al. .	
5,376,012	12/1994	Clark .	
5,397,248	3/1995	Whitemen, Jr. et al.	439/540.1 X
5,431,576	7/1995	Matthews .	
5,547,400	8/1996	Wright .	
5,575,690	11/1996	Eaton .	
5,674,094	10/1997	Hutchinson et al.	439/680
5,725,394	3/1998	Banakis et al. .	
5,782,646	7/1998	Broadfield et al.	439/607 X

Primary Examiner—Joel Sincavage
Attorney, Agent, or Firm—Flehr Hohbach Test Albritton & Herbert LLP

[56] **References Cited**

U.S. PATENT DOCUMENTS

D. 271,685	12/1983	Casciotti et al.	D13/147
D. 366,239	1/1996	Eaton .	
D. 366,241	1/1996	Eaton .	
D. 366,454	1/1996	Eaton .	
D. 368,071	3/1996	Eaton .	
D. 372,220	7/1996	Matthews .	
3,120,989	2/1964	Solorow et al. .	
3,383,643	5/1968	Nava et al. .	
3,471,822	10/1969	Van Baelen .	
3,560,911	2/1971	Zimmerman, Jr. et al. .	
3,587,029	6/1971	Knowles .	
3,617,992	11/1971	Ruehleman et al. .	
3,697,933	10/1972	Black et al. .	
3,808,578	4/1974	Hansen .	
4,191,440	3/1980	Schramm .	
4,379,611	4/1983	Foege et al. .	
4,451,107	5/1984	Dola et al. .	
4,458,970	7/1984	Fourreau et al. .	
4,514,784	4/1985	Williams et al. .	
4,616,893	10/1986	Feldman .	

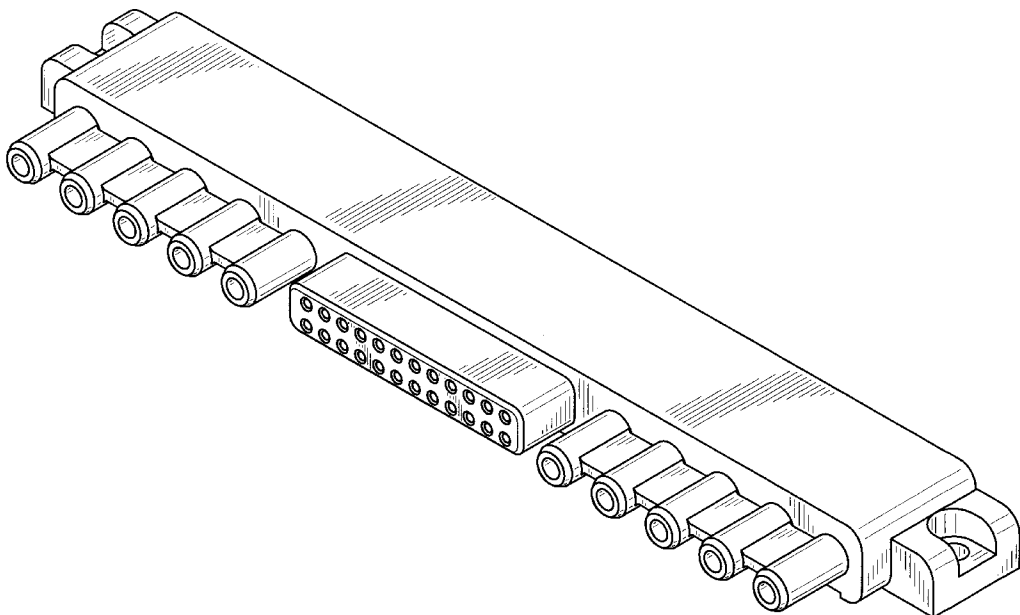
[57] **CLAIM**

The ornamental design for an electrical connector housing, as shown and described.

DESCRIPTION

FIG. 1 is a perspective view as seen from the front and upper right of an electrical connector housing showing our new design;
FIG. 2 is a front elevational view thereof;
FIG. 3 is a top plan view thereof;
FIG. 4 is a right side elevational view thereof, the left side is a mirror image;
FIG. 5 is a rear elevational view thereof;
FIG. 6 is a bottom plan view thereof; and,
FIG. 7 is a perspective view as seen from the rear and lower right with the electrical connector housing in an inverted position.

1 Claim, 4 Drawing Sheets



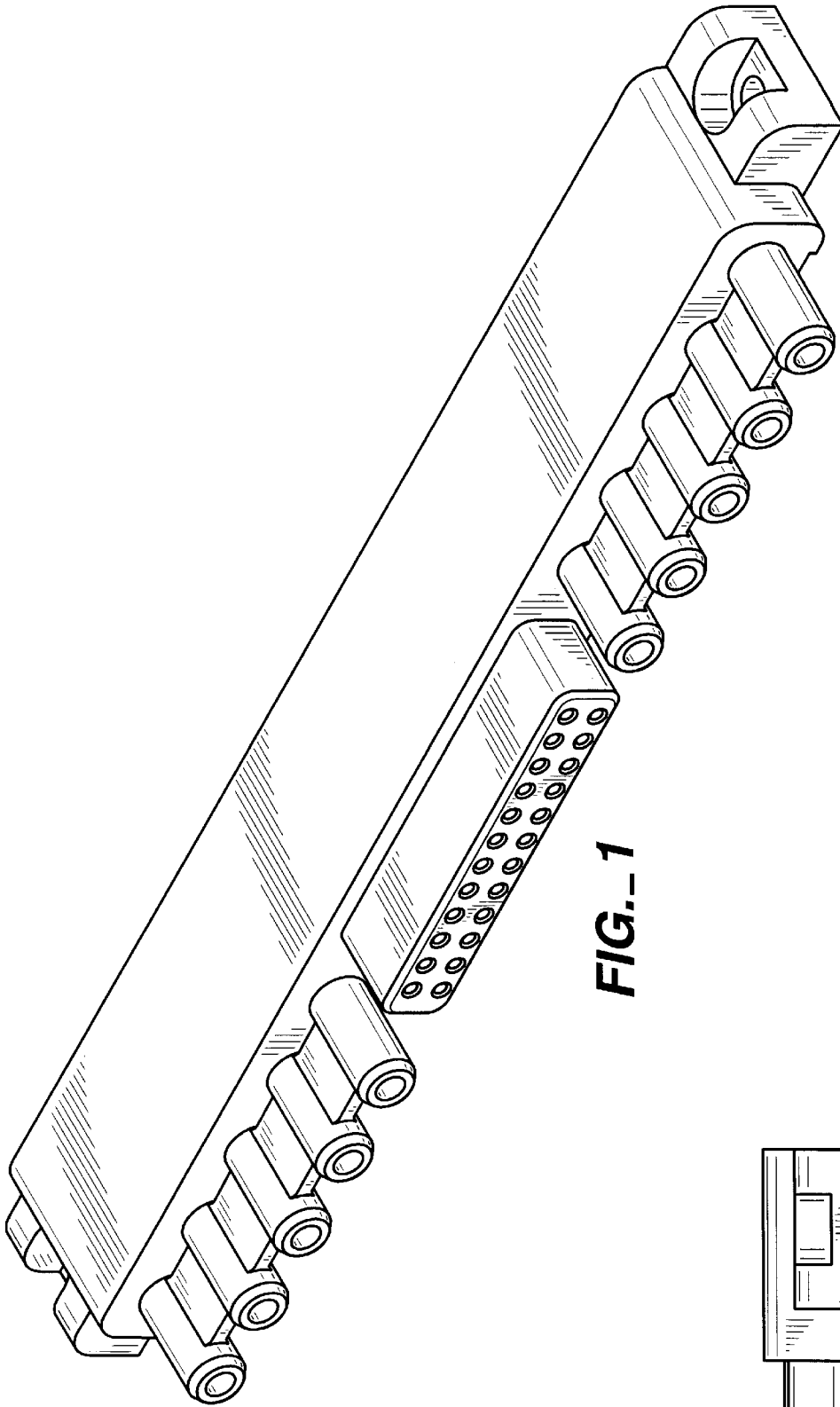


FIG. 1

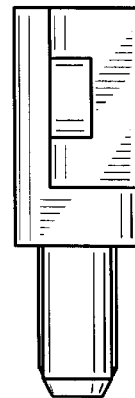


FIG. 4

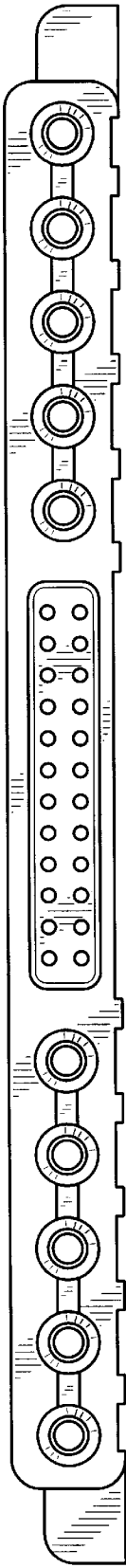


FIG. 2

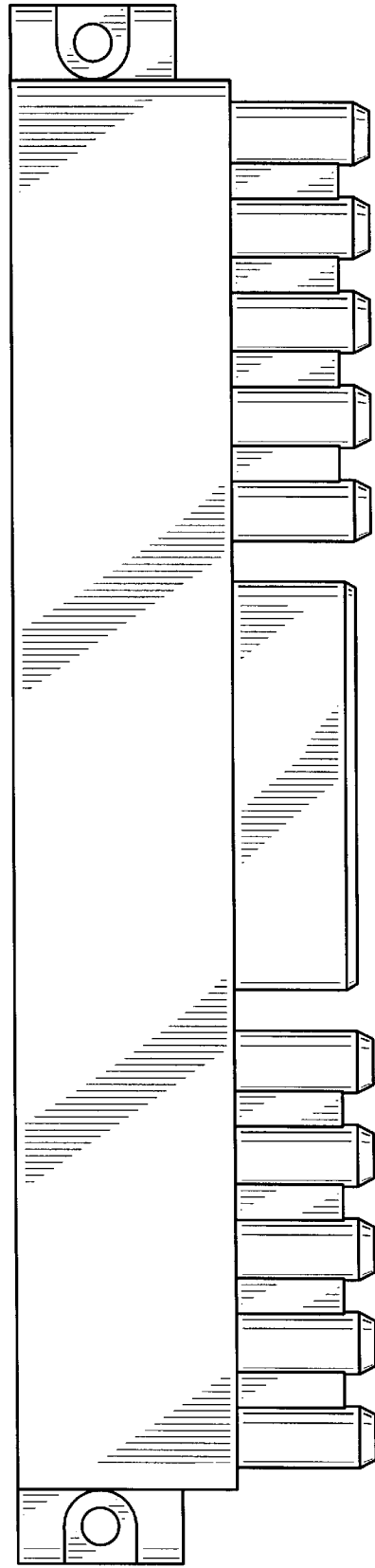


FIG. 3

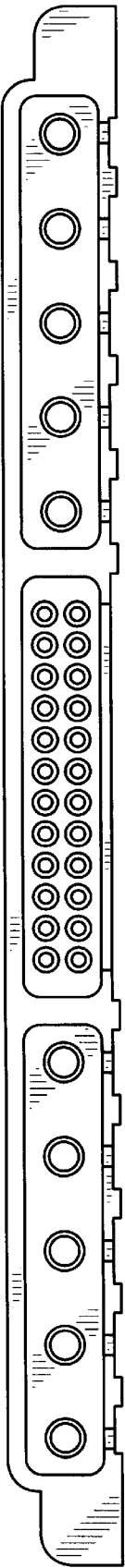


FIG. 5

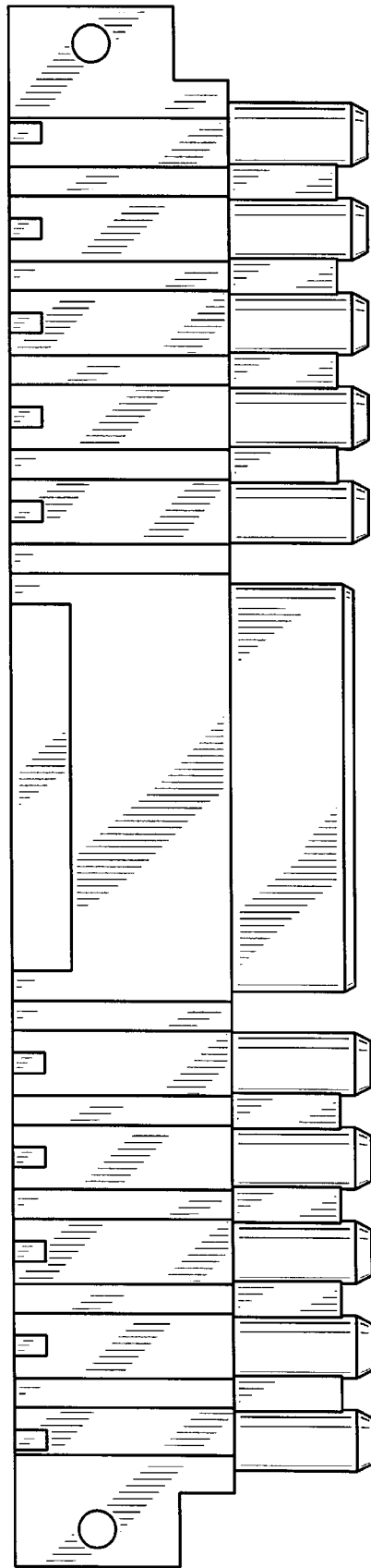


FIG. 6

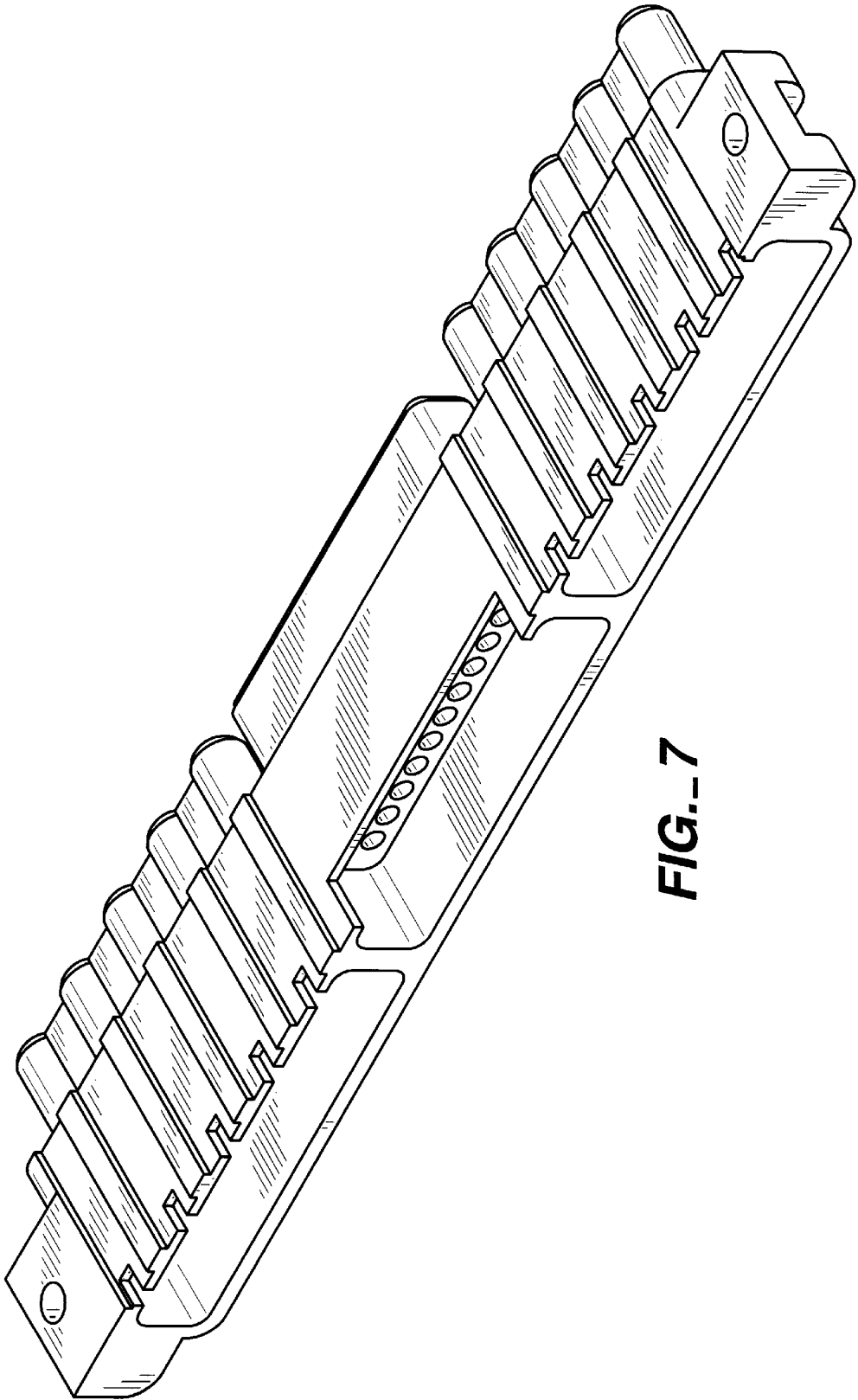


FIG.-7