



US00D756026S

(12) **United States Design Patent**  
**Reynolds**

(10) **Patent No.:** **US D756,026 S**

(45) **Date of Patent:** **\*\* May 10, 2016**

(54) **LIGHT FIXTURE**

(71) Applicant: **IP Holdings, LLC**, Vancouver, WA (US)

(72) Inventor: **Christopher Reynolds**, Vancouver, WA (US)

(73) Assignee: **IP Holdings, LLC**, Vancouver, WA (US)

(\*\*) Term: **14 Years**

(21) Appl. No.: **29/523,671**

(22) Filed: **Apr. 13, 2015**

**Related U.S. Application Data**

(63) Continuation of application No. 29/516,347, filed on Jan. 30, 2015, and a continuation of application No. 29/502,094, filed on Sep. 11, 2014, now Pat. No. Des. 732,236.

(51) **LOC (10) Cl.** ..... **26-99**

(52) **U.S. Cl.**  
USPC ..... **D26/118**

(58) **Field of Classification Search**

USPC ..... D26/2, 28, 72, 89, 113, 118, 119, 120, D26/122, 124, 128, 138, 142, 143, 145, 60, D26/104; D13/180, 179  
CPC ..... F41C 27/00; F41C 33/0254; G02B 5/045; G02B 5/189; F21S 8/00; F21S 8/03; F21S 8/026; F21S 8/02; F21S 8/003; F21S 8/043; F21S 8/06; F21S 8/04; F21V 7/005; F21V 15/01; F21V 15/04; F21V 25/00; F21V 3/02; F21V 1/00; G02F 2001/133607; F21Y 2103/00

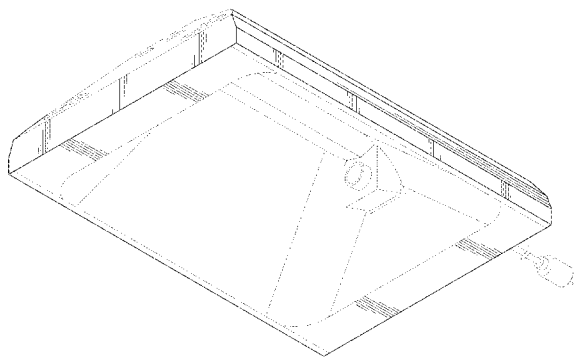
See application file for complete search history.

(56) **References Cited**

**U.S. PATENT DOCUMENTS**

D106,614 S 10/1937 Waterbury  
D123,768 S 12/1940 Scribner

(Continued)



**FOREIGN PATENT DOCUMENTS**

CA 2034710 A1 8/1991  
CA 1314529 C 3/1993

(Continued)

**OTHER PUBLICATIONS**

LED Grow Light—TinEye, image post date Jan. 12, 2015, site visited Nov. 27, 2015, (online), <<https://www.tineye.com/search/b2f4adee683ddc5b32ded9a570874d0866b2001d/>>.\*

(Continued)

*Primary Examiner* — Kevin Rudzinski

*Assistant Examiner* — Sean D Lough

(74) *Attorney, Agent, or Firm* — J. Douglas Wells

(57) **CLAIM**

The ornamental design for a light fixture, as shown and described.

**DESCRIPTION**

FIG. 1 is a perspective view of a light fixture, as viewed from below, showing my new design;

FIG. 2 is a perspective view of the light fixture shown in FIG. 1, as viewed from above;

FIG. 3 is a left side view of the light fixture shown in FIG. 1;

FIG. 4 is a right side view of the light fixture shown in FIG. 1;

FIG. 5 is a front elevation view of the light fixture shown in FIG. 1;

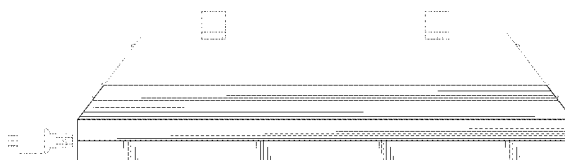
FIG. 6 is a rear elevation view of the light fixture shown in FIG. 1;

FIG. 7 is a top plan view of the light fixture shown in FIG. 1; and,

FIG. 8 is a bottom plan view of the light fixture shown in FIG. 1.

The broken-line disclosure shown in the views is understood to represent portions of the article in which the claimed design is embodied, but which form no part of the claimed design.

**1 Claim, 6 Drawing Sheets**



(56)

## References Cited

## U.S. PATENT DOCUMENTS

- |                |         |                   |            |                   |         |                   |             |
|----------------|---------|-------------------|------------|-------------------|---------|-------------------|-------------|
| D125,559 S *   | 3/1941  | Billar            | D26/76     | D543,652 S        | 5/2007  | Hargreaves        |             |
| D156,014 S *   | 11/1949 | Lazerson          | D26/78     | D543,654 S        | 5/2007  | Hargreaves        |             |
| D174,221 S     | 3/1955  | Hatch et al.      |            | D544,136 S *      | 6/2007  | Hargreaves        | D26/118     |
| 2,740,883 A *  | 4/1956  | Kruger            | F21S 4/003 | D544,138 S *      | 6/2007  | Hargreaves        | D26/118     |
|                |         |                   | 362/219    | D544,139 S        | 6/2007  | Hargreaves        |             |
| 3,025,391 A *  | 3/1962  | Golko             | F21S 8/06  | D544,626 S        | 6/2007  | Hargreaves        |             |
|                |         |                   | 362/221    | D544,980 S *      | 6/2007  | Hargreaves        | D26/75      |
| 3,125,301 A *  | 3/1964  | Stotter           | F21V 7/005 | D544,981 S *      | 6/2007  | Hargreaves        | D26/76      |
|                |         |                   | 362/217.06 | D544,983 S        | 6/2007  | Hargreaves        |             |
| 3,272,978 A    | 9/1966  | Jackson           |            | D544,984 S        | 6/2007  | Hargreaves        |             |
| 3,420,995 A *  | 1/1969  | Dunckel           | F21V 21/04 | D544,985 S        | 6/2007  | Hargreaves        |             |
|                |         |                   | 292/64     | D544,987 S        | 6/2007  | Hargreaves        |             |
| 3,433,941 A *  | 3/1969  | Hall              | F21V 7/09  | D544,994 S        | 6/2007  | Hargreaves        |             |
|                |         |                   | 362/294    | D544,995 S        | 6/2007  | Hargreaves        |             |
| 3,755,667 A *  | 8/1973  | Price             | F21S 8/02  | D545,484 S        | 6/2007  | Hargreaves        |             |
|                |         |                   | 362/147    | D545,485 S *      | 6/2007  | Hargreaves        | D26/118     |
| 4,078,169 A *  | 3/1978  | Armstrong         | A01G 7/045 | D545,994 S        | 7/2007  | Hargreaves        |             |
|                |         |                   | 362/122    | 7,296,914 B1 *    | 11/2007 | Russello          | F21S 8/033  |
| D259,738 S *   | 6/1981  | Boschetti         | D24/210    |                   |         |                   | 362/285     |
| D262,659 S *   | 1/1982  | Latta             | D10/114.1  | 7,524,090 B2      | 4/2009  | Hargreaves        |             |
| 4,531,180 A    | 7/1985  | Hernandez         |            | D595,894 S *      | 7/2009  | Verfuert          | D26/122     |
| 4,669,033 A *  | 5/1987  | Lee               | F21S 8/00  | D603,087 S        | 10/2009 | Mo et al.         |             |
|                |         |                   | 362/217.07 | 7,617,057 B2      | 11/2009 | May et al.        |             |
| 4,933,821 A    | 6/1990  | Anderson          |            | 7,641,367 B2      | 1/2010  | Hargreaves et al. |             |
| 4,939,629 A    | 7/1990  | Glanton et al.    |            | D614,801 S        | 4/2010  | Collins et al.    |             |
| D311,597 S     | 10/1990 | Poot              |            | 7,722,228 B2      | 5/2010  | Broer             |             |
| 4,970,428 A    | 11/1990 | Hayakawa et al.   |            | D617,028 S        | 6/2010  | Verfuert et al.   |             |
| 4,980,809 A    | 12/1990 | Baldwin et al.    |            | D634,060 S        | 3/2011  | Wardenburg        |             |
| 5,065,294 A    | 11/1991 | Poot, Jr.         |            | D634,468 S        | 3/2011  | Hargreaves        |             |
| D352,126 S     | 11/1994 | Ruud et al.       |            | D634,469 S        | 3/2011  | Hargreaves        |             |
| 5,461,554 A    | 10/1995 | Leonetti et al.   |            | D637,341 S        | 5/2011  | Wardenburg        |             |
| 5,486,737 A    | 1/1996  | Hrubowchak et al. |            | D637,752 S        | 5/2011  | Mekhtarian        |             |
| 5,510,676 A    | 4/1996  | Cottaar et al.    |            | 7,959,331 B2 *    | 6/2011  | Ho                | F21V 15/01  |
| 5,555,162 A *  | 9/1996  | Shemitz           | F21S 2/00  |                   |         |                   | 362/249.02  |
|                |         |                   | 362/225    | 7,972,044 B2      | 7/2011  | Burkhauser        |             |
| 5,570,947 A *  | 11/1996 | Felland           | F21S 8/02  | 7,987,632 B2      | 8/2011  | May et al.        |             |
|                |         |                   | 362/148    | 8,018,630 B2      | 9/2011  | Herloski          |             |
| D377,993 S *   | 2/1997  | Herst             | D26/107    | D650,515 S        | 12/2011 | Bradley et al.    |             |
| 5,698,947 A    | 12/1997 | Choi              |            | D661,833 S *      | 6/2012  | Imajo             | D26/118     |
| D391,632 S *   | 3/1998  | Thomas            | D23/373    | D667,584 S *      | 9/2012  | Beghelli          | D26/75      |
| D396,319 S     | 7/1998  | Sutton            |            | 8,334,640 B2      | 12/2012 | Reed et al.       |             |
| D397,481 S *   | 8/1998  | Schafer           | D26/76     | D675,369 S        | 1/2013  | Michaud           |             |
| D399,329 S *   | 10/1998 | Compton           | D26/76     | 8,371,726 B2      | 2/2013  | Collins et al.    |             |
| D399,587 S *   | 10/1998 | Compton           | D26/76     | D678,599 S        | 3/2013  | Boyer et al.      |             |
| 5,896,004 A    | 4/1999  | Feldman et al.    |            | D679,848 S *      | 4/2013  | Pickard           | D26/74      |
| 5,932,955 A    | 8/1999  | Berger et al.     |            | D683,064 S        | 5/2013  | Tuck              |             |
| 5,983,564 A    | 11/1999 | Stragnola         |            | D698,074 S *      | 1/2014  | Hargreaves        | D26/138     |
| 5,987,697 A    | 11/1999 | Song et al.       |            | D698,986 S *      | 2/2014  | Reynolds          | D26/118     |
| D418,626 S *   | 1/2000  | Herst             | D26/118    | D698,987 S *      | 2/2014  | Stanley           | D26/118     |
| D419,248 S     | 1/2000  | Lyons             |            | D699,386 S *      | 2/2014  | Park              | D26/118     |
| 6,042,250 A    | 3/2000  | Stragnola         |            | D717,636 S *      | 11/2014 | Stanley           | D8/363      |
| 6,051,927 A    | 4/2000  | Graser et al.     |            | D720,505 S *      | 12/2014 | Kersten           | D30/121     |
| D425,237 S *   | 5/2000  | Scott             | D26/118    | D725,820 S *      | 3/2015  | Hargreaves        | D26/138     |
| 6,076,944 A    | 6/2000  | Maranon           |            | 9,016,907 B2 *    | 4/2015  | Stanley           | A01G 7/045  |
| 6,094,919 A    | 8/2000  | Bhatia            |            |                   |         |                   | 362/373     |
| 6,111,739 A    | 8/2000  | Wu et al.         |            | D728,848 S *      | 5/2015  | Reyes             | D26/118     |
| 6,152,579 A    | 11/2000 | Reed et al.       |            | D731,701 S *      | 6/2015  | Hargreaves        | D26/118     |
| 6,230,497 B1   | 5/2001  | Morris et al.     |            | D732,236 S *      | 6/2015  | Reynolds          | D26/118     |
| D447,272 S     | 8/2001  | Smith             |            | D735,391 S *      | 7/2015  | Blessitt          | D26/74      |
| 6,343,984 B1   | 2/2002  | Langdon et al.    |            | D735,401 S *      | 7/2015  | Clements          | D26/120     |
| D456,938 S     | 5/2002  | Wardenburg        |            | D736,450 S *      | 8/2015  | Reynolds          | D26/118     |
| D459,825 S     | 7/2002  | Field             |            | D737,498 S *      | 8/2015  | Stanley           | D26/118     |
| D469,564 S     | 1/2003  | Brok              |            | 9,110,209 B2 *    | 8/2015  | Blessitt          | G02B 6/0055 |
| 6,527,422 B1   | 3/2003  | Hutchison         |            | D738,031 S *      | 9/2015  | Martins           | D26/118     |
| 6,595,662 B2   | 7/2003  | Wardenburg        |            | D739,595 S *      | 9/2015  | Reynolds          | D26/118     |
| 6,601,972 B2   | 8/2003  | Sei et al.        |            | 9,127,826 B2 *    | 9/2015  | Boyer             | F21V 7/0008 |
| 6,709,131 B1 * | 3/2004  | Herst             | F21V 3/02  | D740,486 S *      | 10/2015 | Stanley           | D26/118     |
|                |         |                   | 362/223    | 2005/0233691 A1 * | 10/2005 | Horton            | F24F 7/02   |
| 6,729,383 B1   | 5/2004  | Cannell et al.    |            |                   |         |                   | 454/366     |
| 6,783,263 B1   | 8/2004  | Cronk             |            | 2006/0231081 A1   | 10/2006 | Kirakosyan        |             |
| D496,121 S *   | 9/2004  | Santoro           | D26/74     | 2007/0228993 A1   | 10/2007 | Stuer et al.      |             |
| 6,885,134 B2   | 4/2005  | Kurashima et al.  |            | 2007/0246631 A1 * | 10/2007 | Brown             | F21V 21/104 |
| 7,156,539 B2   | 1/2007  | Cronk             |            |                   |         |                   | 248/343     |
| 7,175,309 B2   | 2/2007  | Craw et al.       |            | 2008/0117617 A1   | 5/2008  | Hargreaves et al. |             |
| D542,460 S     | 5/2007  | Hargreaves        |            | 2008/0205030 A1   | 8/2008  | Hargreaves        |             |
|                |         |                   |            | 2008/0205071 A1   | 8/2008  | Townesley         |             |
|                |         |                   |            | 2008/0278950 A1   | 11/2008 | Pickard et al.    |             |
|                |         |                   |            | 2009/0231840 A1   | 9/2009  | Boehme et al.     |             |
|                |         |                   |            | 2009/0262540 A1   | 10/2009 | Hargreaves et al. |             |

(56)

**References Cited**

U.S. PATENT DOCUMENTS

2009/0323335 A1\* 12/2009 Yang ..... F21K 9/00  
362/247  
2010/0302768 A1 12/2010 Collins et al.  
2012/0092859 A1\* 4/2012 Gregoris ..... F21V 7/0033  
362/217.06  
2012/0230035 A1 9/2012 Bradley, Jr. et al.  
2013/0083539 A1 4/2013 Dimitriadis  
2013/0155685 A1 6/2013 Stanley

FOREIGN PATENT DOCUMENTS

EP 0325003 A1 7/1989  
EP 0440274 A1 8/1991

WO 02063210 A2 8/2002  
WO 2008018000 A1 2/2008  
WO 2009096775 A2 8/2009  
WO 2011119451 A1 9/2011

OTHER PUBLICATIONS

Light Emitting Ceramic Fixture, image post date Jan. 30, 2015, site visited Nov. 29, 2015, (online), <<http://waytogrow.net/lec-315-light-emitting-ceramic-fixture/>>.\*

\* cited by examiner

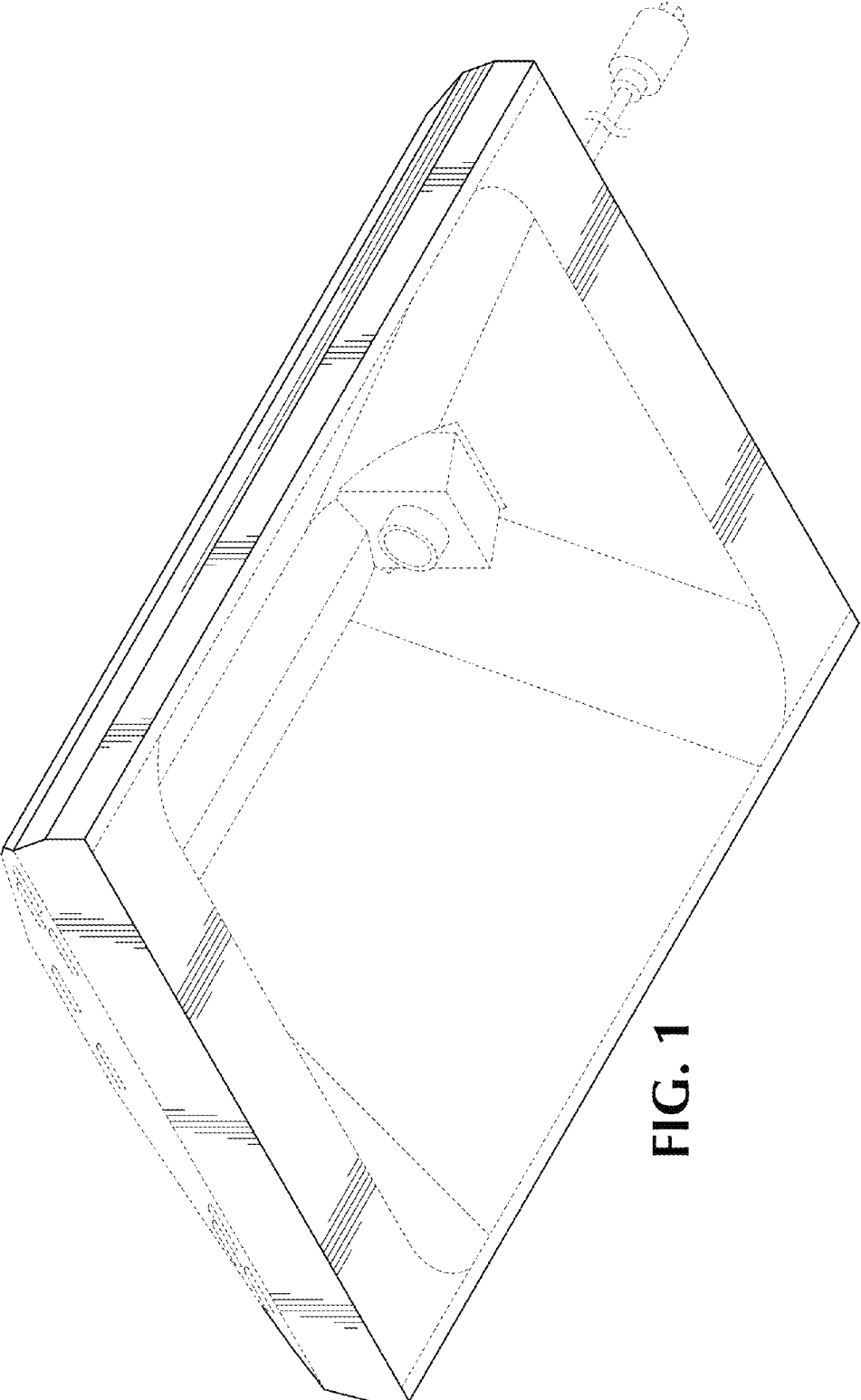


FIG. 1

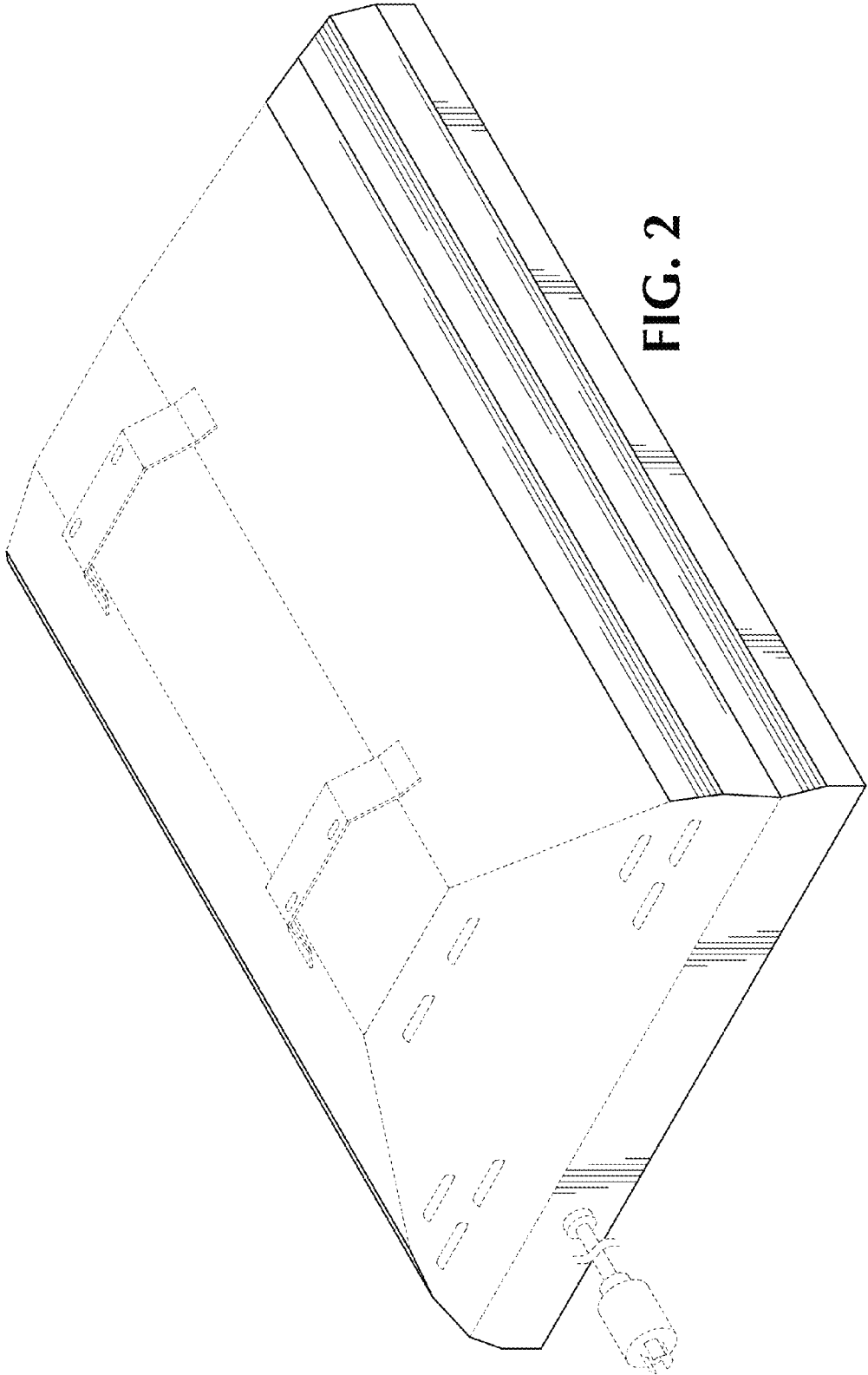


FIG. 2

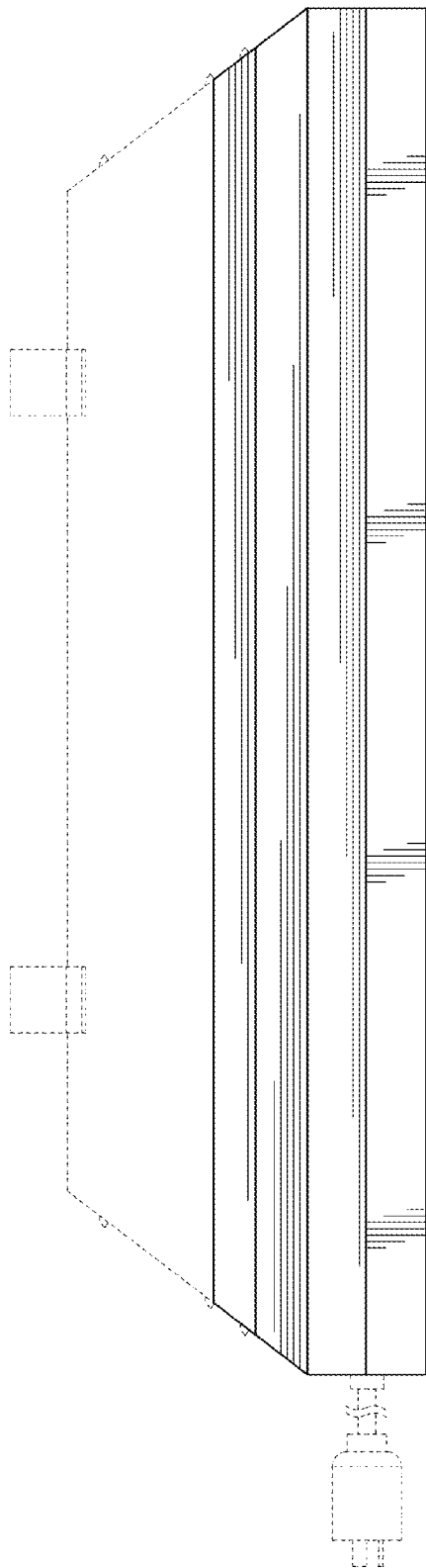


FIG. 3

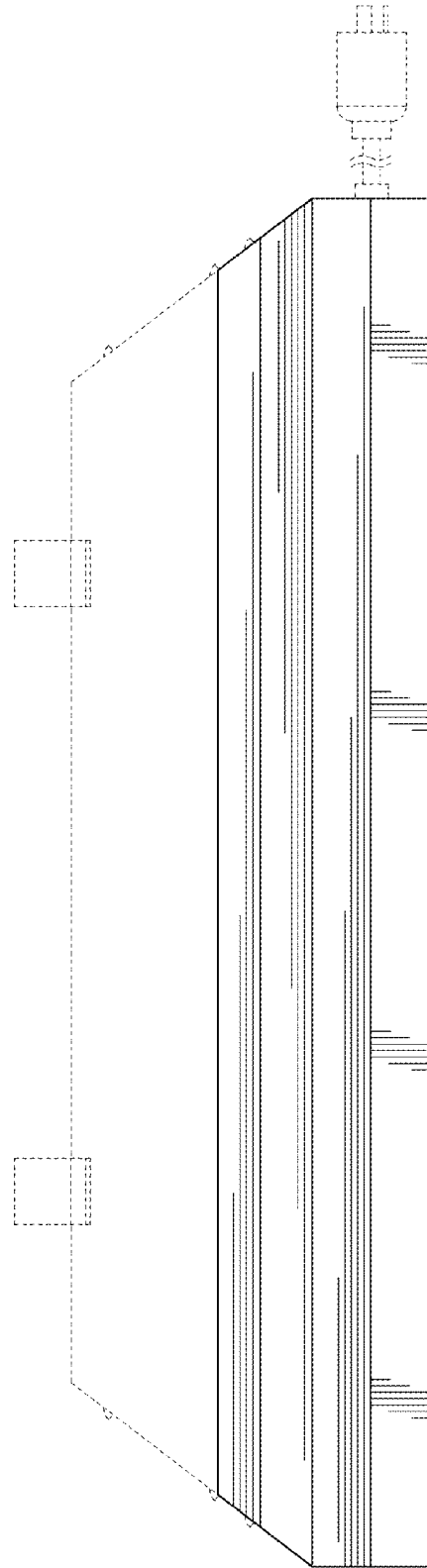


FIG. 4

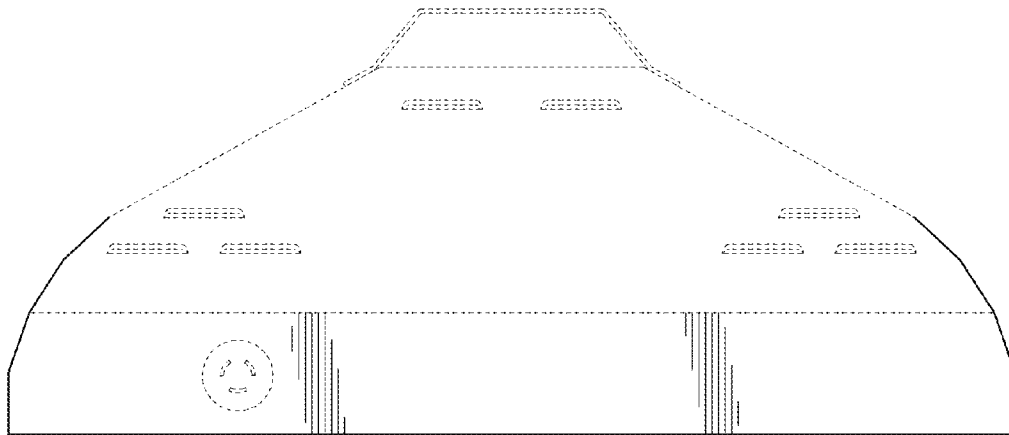


FIG. 5

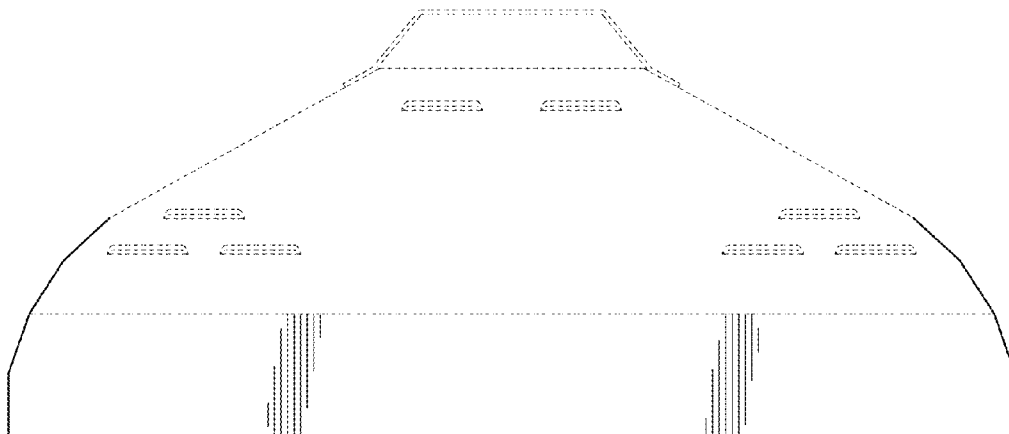


FIG. 6

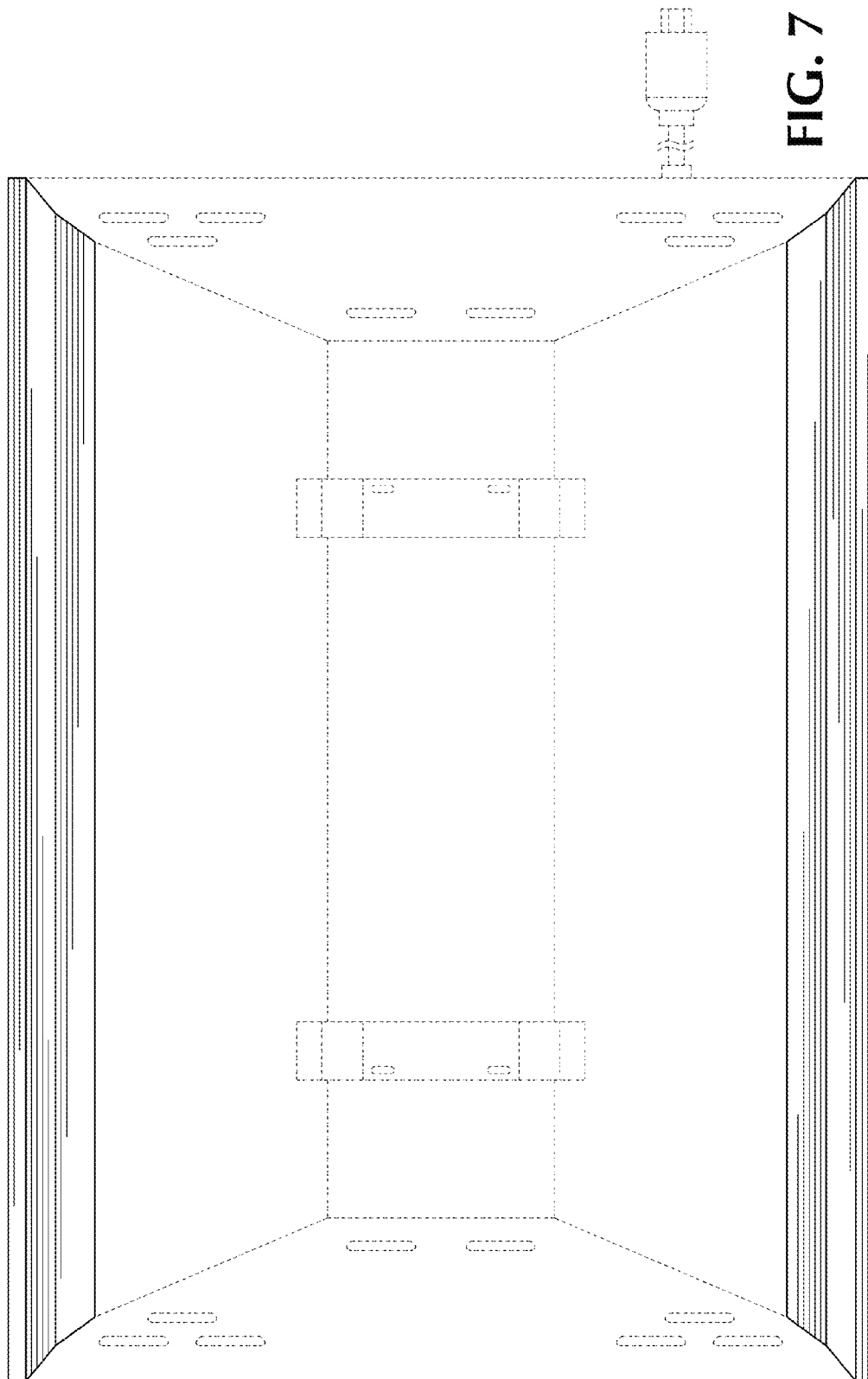


FIG. 7



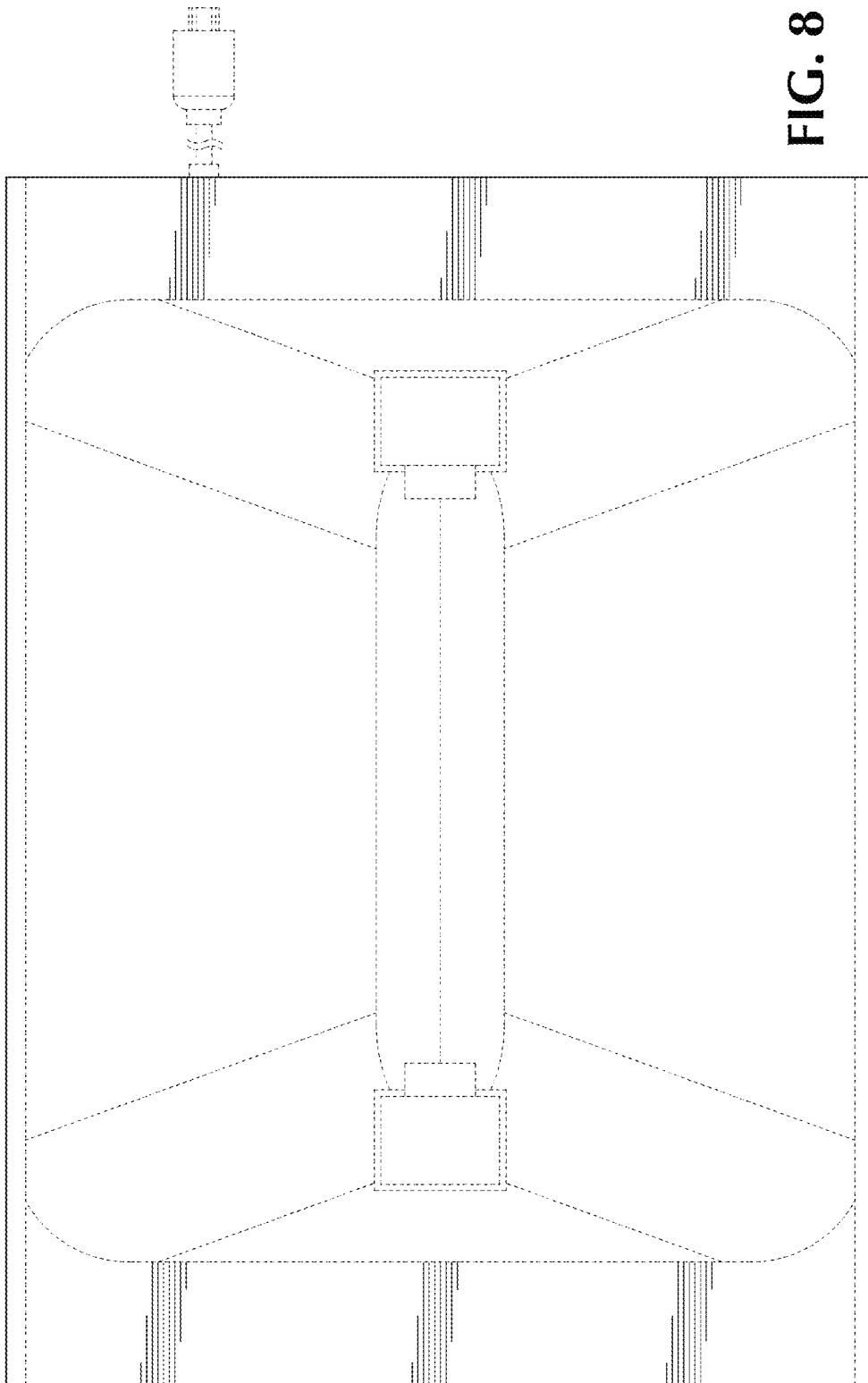


FIG. 8