



US00D764615S

(12) **United States Design Patent**
Treadway et al.

(10) **Patent No.:** **US D764,615 S**

(45) **Date of Patent:** **** Aug. 23, 2016**

- (54) **SKATE**
- (71) Applicant: **Acton Inc.**, Altadena, CA (US)
- (72) Inventors: **Peter Treadway**, Arcadia, CA (US);
Janelle Wang Treadway, Arcadia, CA (US);
Jennifer Choy, Pasadena, CA (US);
Hang Zheng, Pasadena, CA (US)

(73) Assignee: **Acton, Inc.**, Mountain View, CA (US)

(**) Term: **14 Years**

(21) Appl. No.: **29/495,094**

(22) Filed: **Jun. 26, 2014**

(51) **LOC (10) Cl.** **21-02**

(52) **U.S. Cl.**
USPC **D21/763**

(58) **Field of Classification Search**
USPC D21/760, 763-765, 771; D2/902, 904;
280/7.14, 11.115, 11.19, 11.2, 11.22,
280/11.23, 11.26, 11.27, 11.28, 14.21,
280/87.01, 87.021, 87.03, 87.041, 87.042,
280/809

CPC A63C 17/00; A63C 17/006; A63C 17/04;
A63C 17/08; A63C 17/0046; A63C 17/0086;
A63C 17/12; A63C 17/14; A63C 17/16

See application file for complete search history.

(56) **References Cited**

U.S. PATENT DOCUMENTS

- D233,537 S * 11/1974 Horner 280/11.19
- 4,541,643 A * 9/1985 Pavincic A63C 17/004
280/11.201
- 4,709,937 A * 12/1987 Lin A63C 17/0086
280/11.209
- D341,861 S * 11/1993 Chen D21/763

- 6,874,795 B2 * 4/2005 Sung A63C 17/04
280/11.223
- 6,959,933 B1 * 11/2005 Roth A63C 17/08
280/11.19
- D535,714 S * 1/2007 Cheng D21/763
- D681,759 S * 5/2013 Treadway D21/763
- 8,684,121 B2 * 4/2014 Treadway A63C 17/12
180/180
- 2003/0020244 A1 * 1/2003 Sung A63C 17/04
280/11.19
- 2004/0041359 A1 * 3/2004 Im A63C 17/08
280/11.25
- 2012/0285756 A1 * 11/2012 Treadway A63C 17/12
180/65.51

OTHER PUBLICATIONS

Japanese Office Action dated Jul. 30, 2015, issued in related Japanese Patent Application No. 2014-028651, (4 pages).

* cited by examiner

Primary Examiner — Cynthia M Chin

(57) **CLAIM**

The ornamental design for a skate, as shown and described.

DESCRIPTION

FIG. 1 is a rear left perspective view of a skate showing our new design;

FIG. 2 is a rear right perspective view thereof;

FIG. 3 is a rear elevation view thereof;

FIG. 4 is a front elevation view thereof;

FIG. 5 is a left side view thereof;

FIG. 6 is a right side view thereof; and

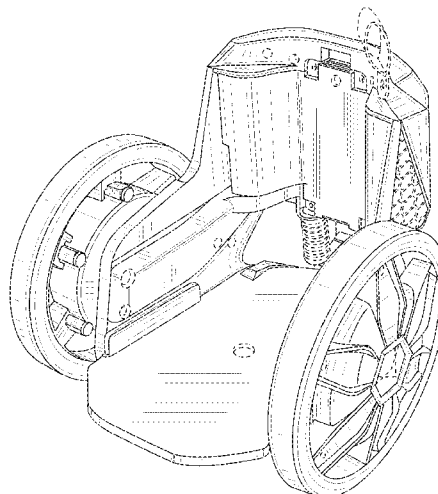
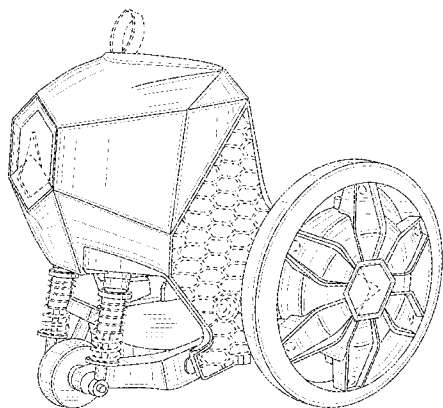
FIG. 7 is a top plan view thereof;

FIG. 8 is a bottom plan view thereof; and,

FIG. 9 is a right front perspective view thereof.

The broken lines show environmental structure and form no part of the claimed design.

1 Claim, 9 Drawing Sheets



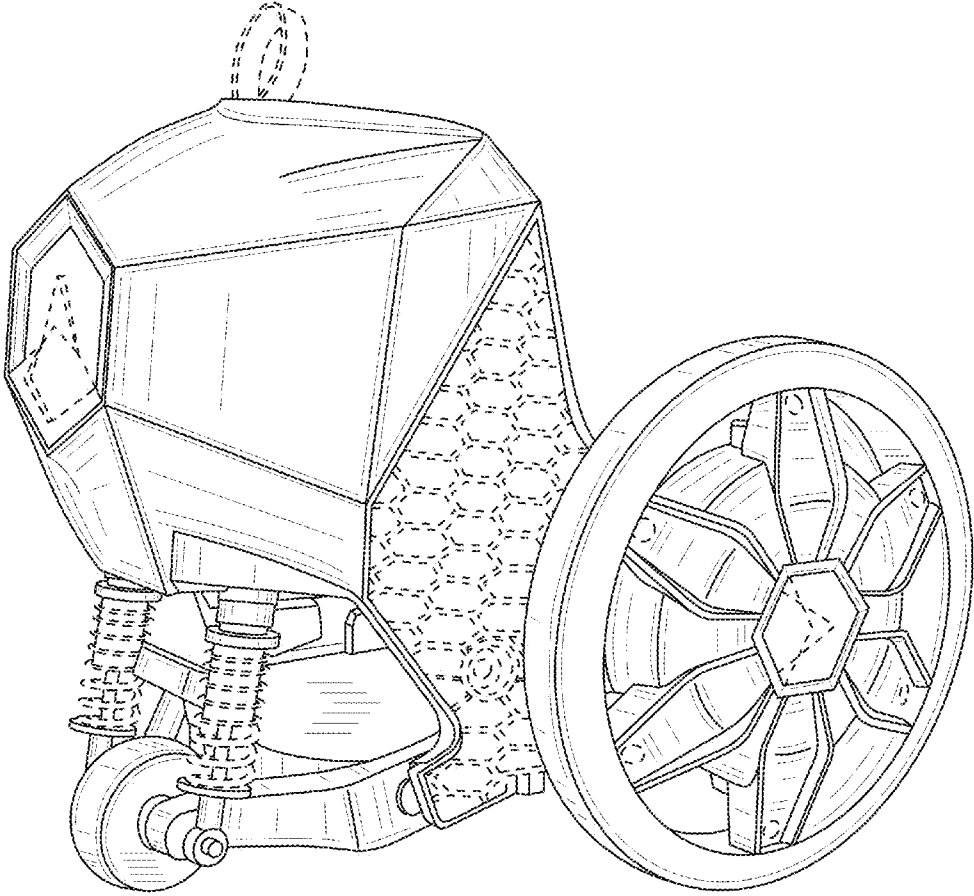


FIG. 1

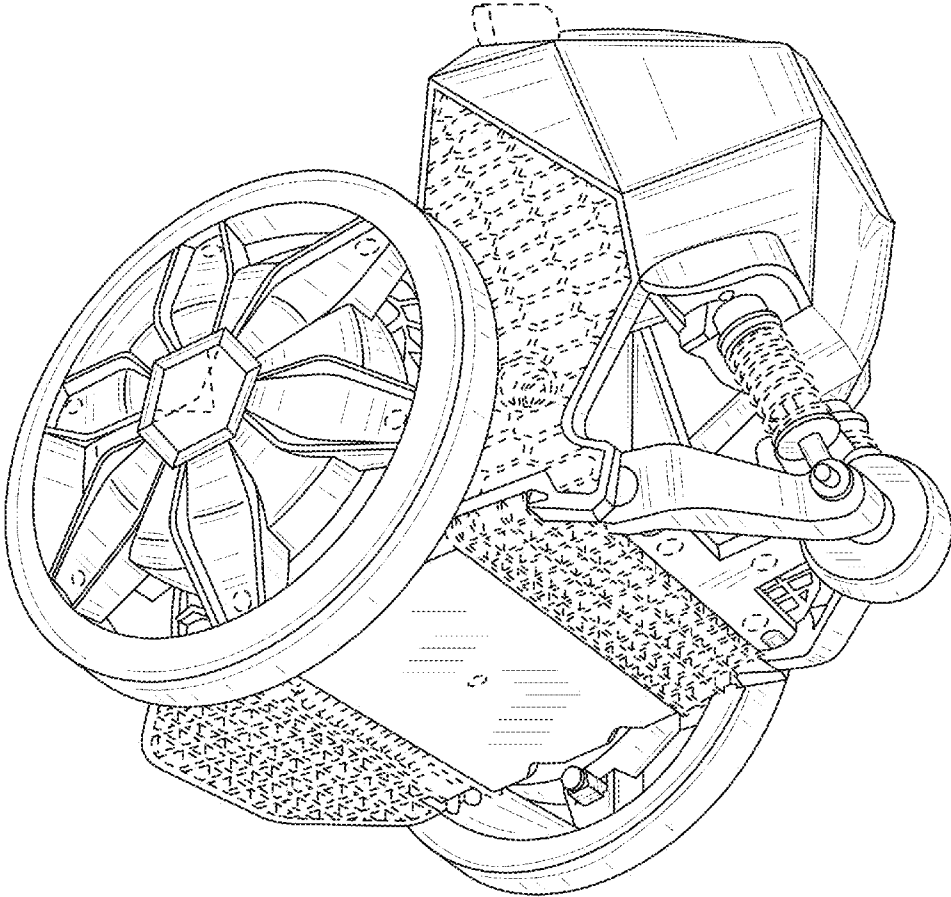


FIG. 2

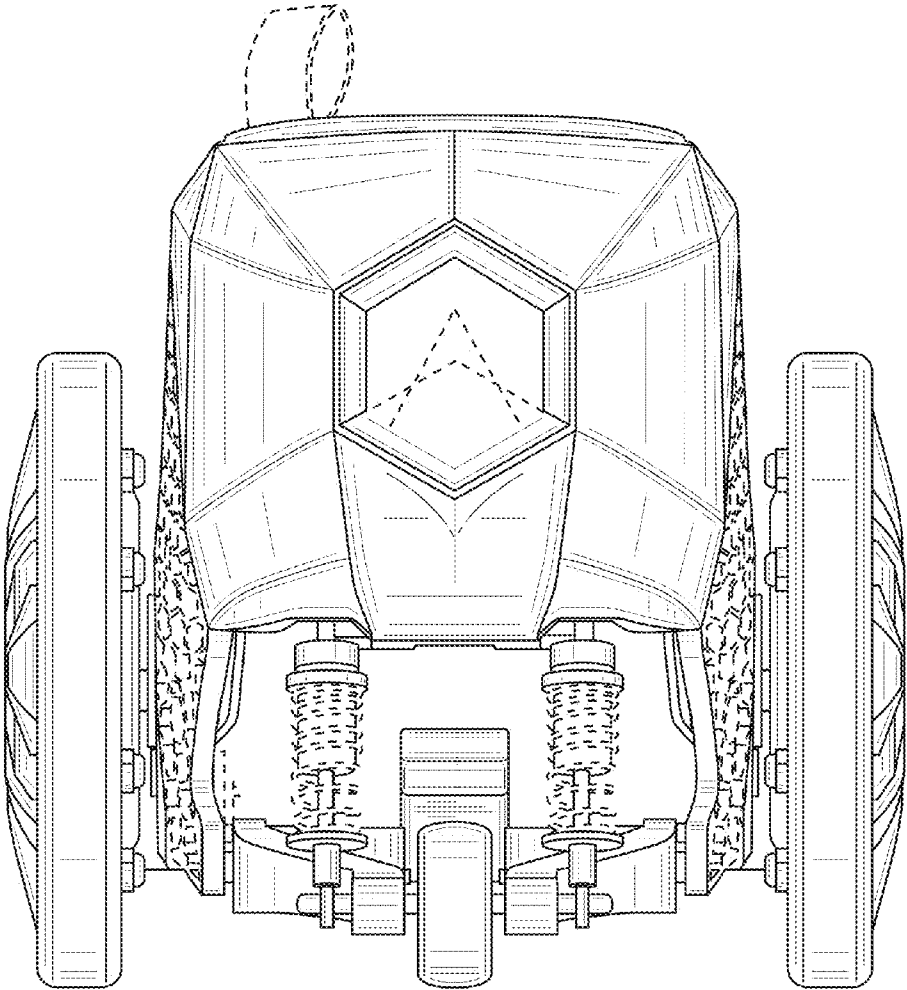


FIG. 3

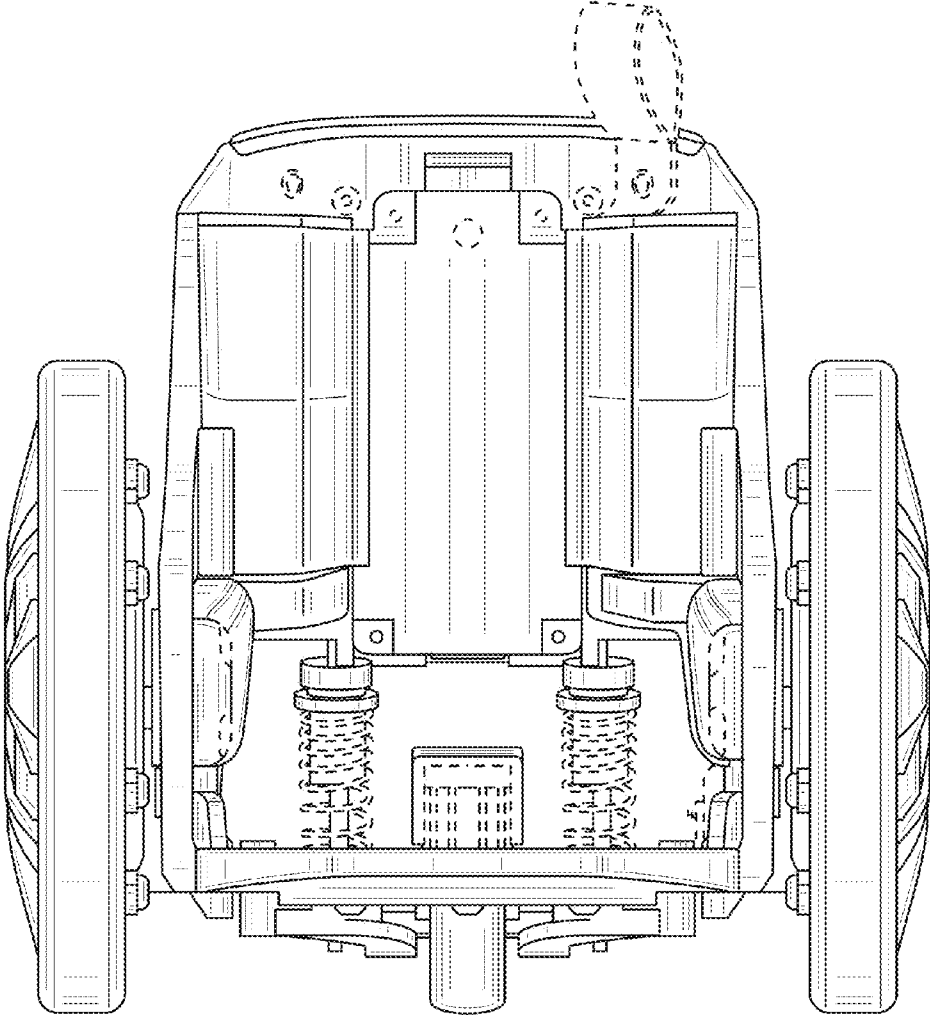


FIG. 4

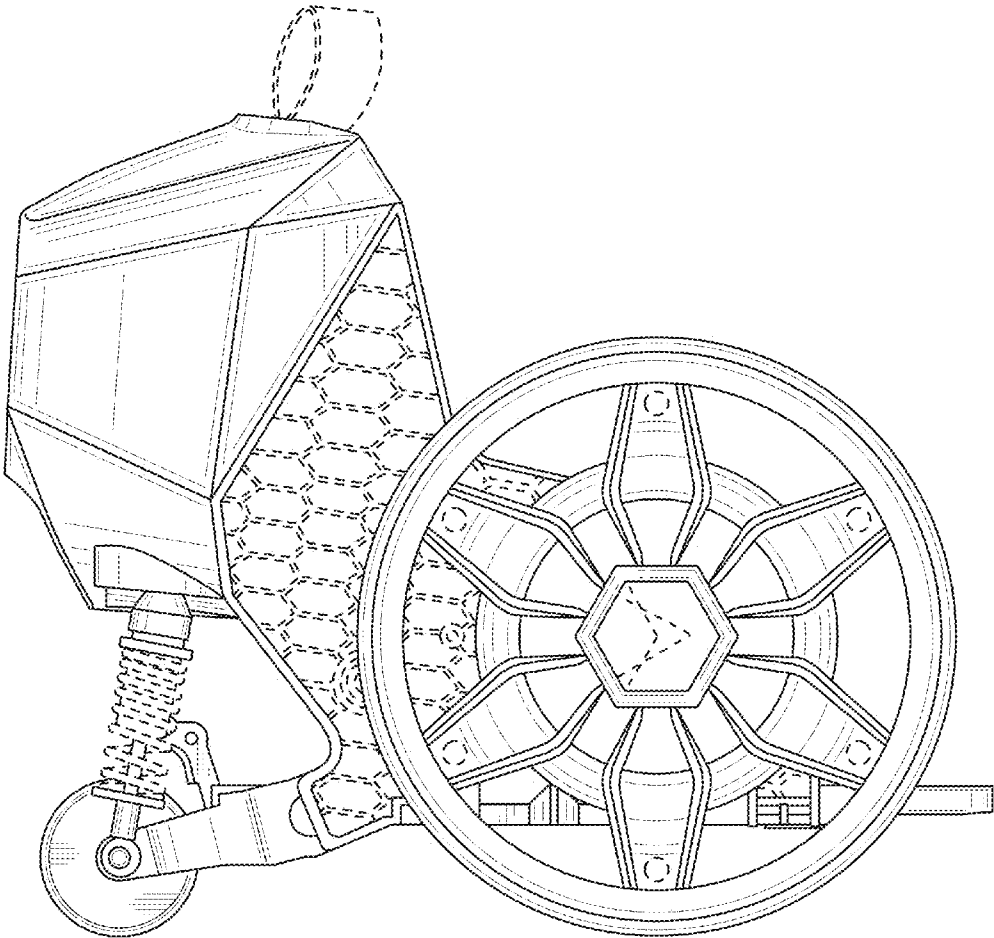


FIG. 5

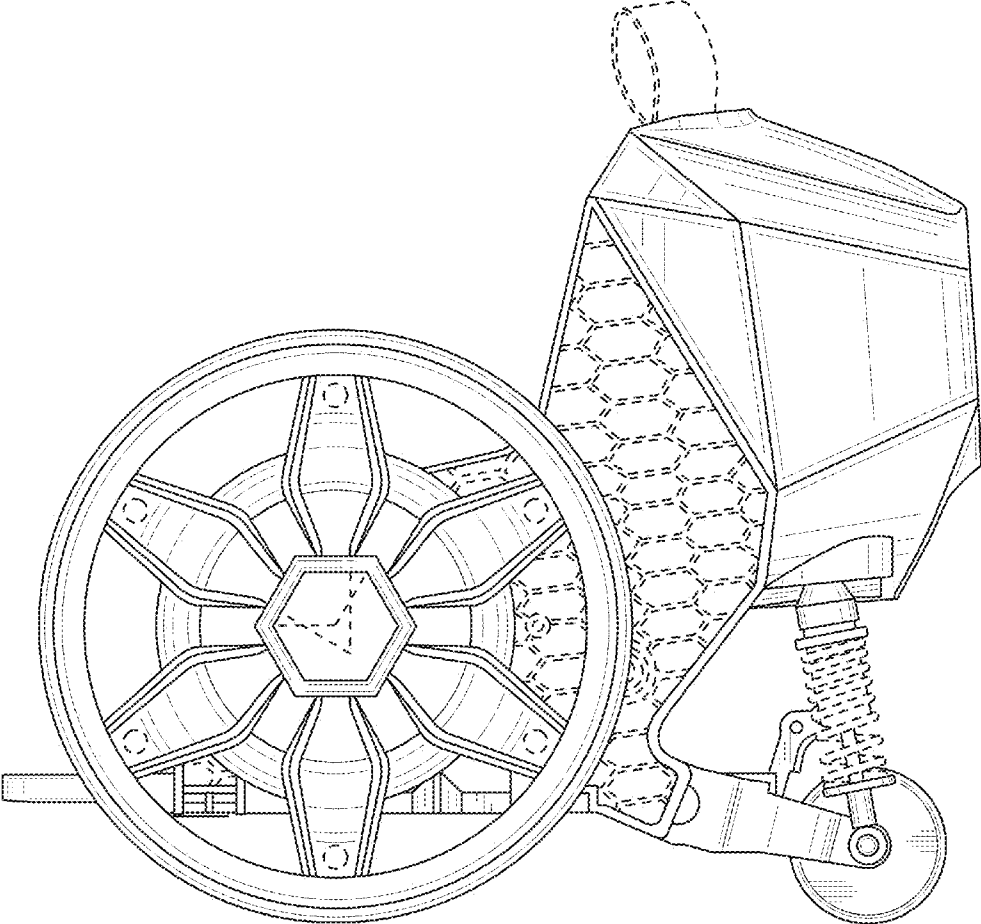


FIG. 6

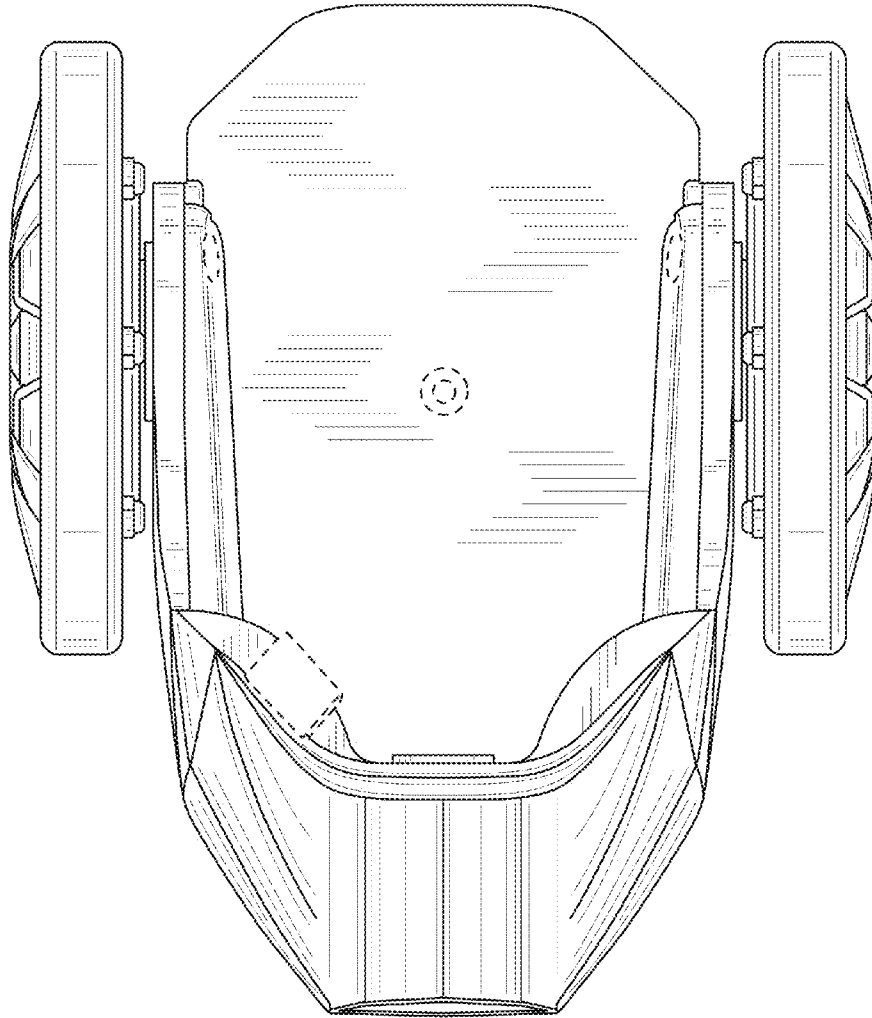


FIG. 7

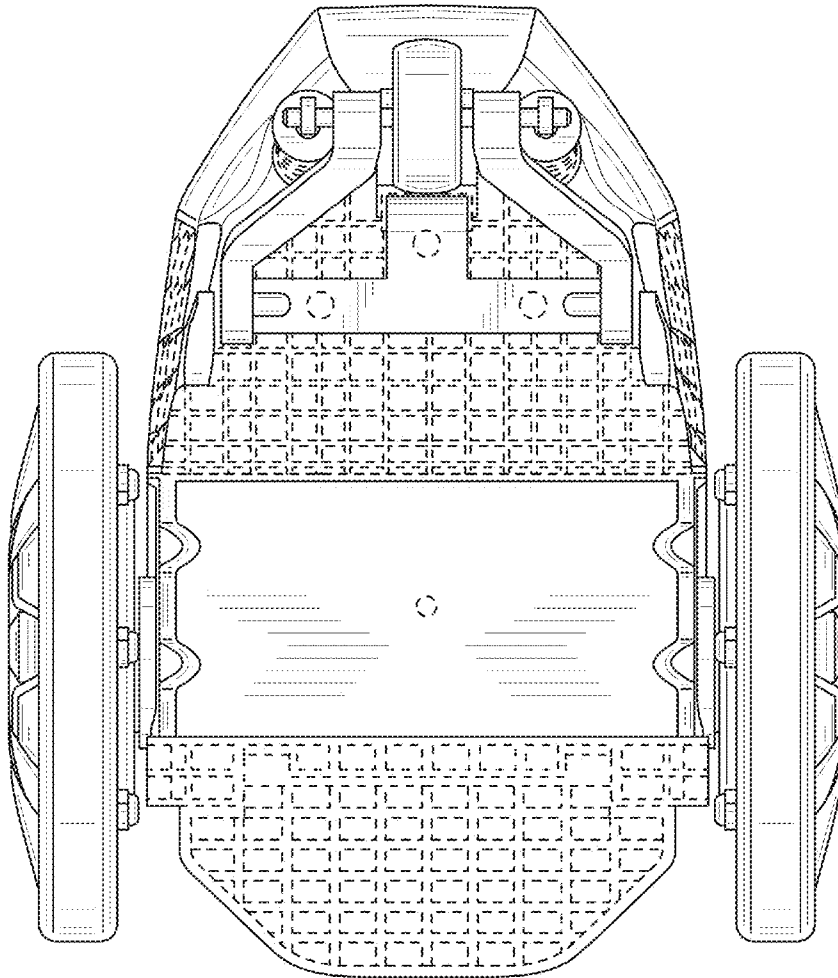


FIG. 8

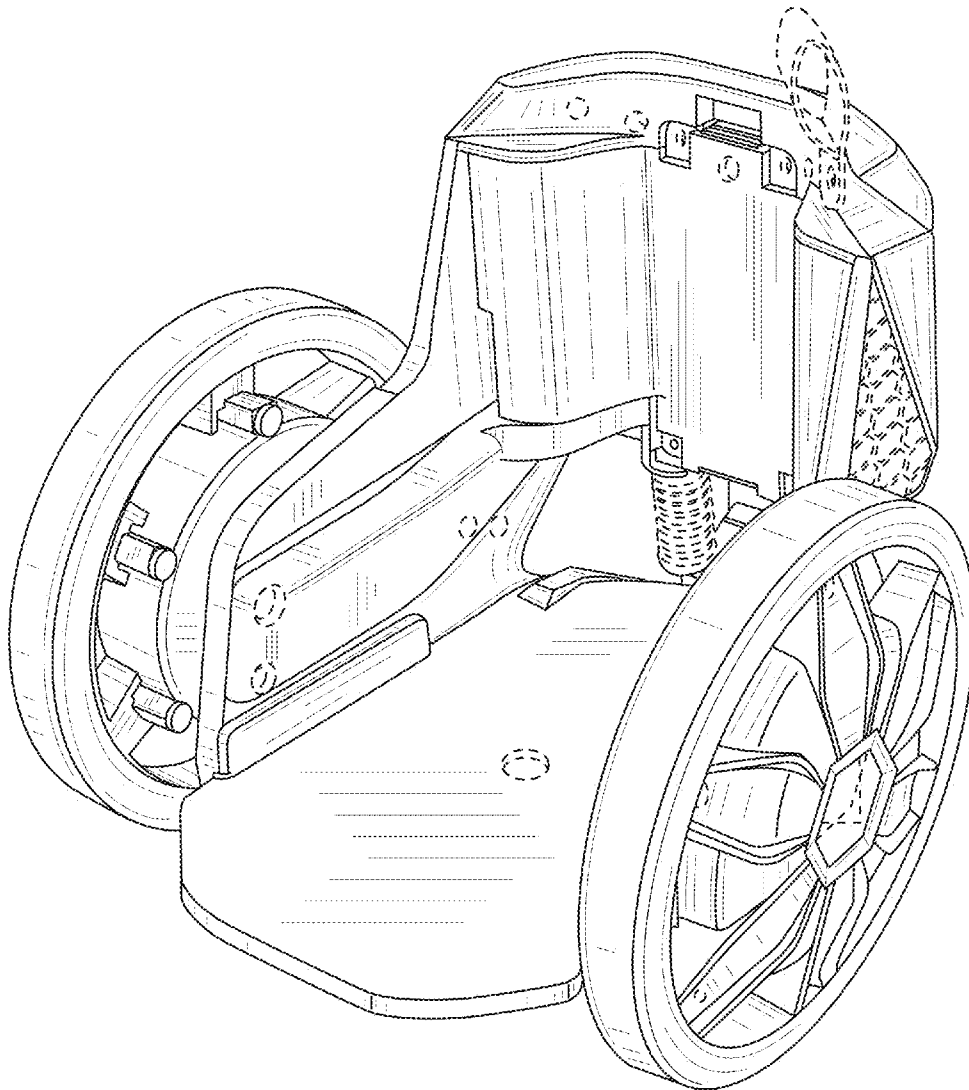


FIG. 9