



US00D380359S

United States Patent [19]

[11] Patent Number: Des. 380,359

Meisner et al.

[45] Date of Patent: \*\*Jul. 1, 1997

[54] HANDLE FOR VEGETATION CUTTER

[75] Inventors: Edward Meisner, Short Hills; Thomas Van Dyk, Prospect Park; Michael Ballone, New Providence, all of N.J.

[73] Assignee: Black & Decker Inc., Newark, Del.

[\*\*] Term: 14 Years

[21] Appl. No.: 53,523

[22] Filed: Apr. 23, 1996

Related U.S. Application Data

[63] Continuation of Ser. No. 40,286, Jun. 14, 1995, abandoned.

[51] LOC (6) Cl. .... 08-01

[52] U.S. Cl. .... D8/8

[58] Field of Search ..... D8/8; 56/12.7; 30/276, 347

[56] References Cited

U.S. PATENT DOCUMENTS

- D. 238,998 3/1976 Raffler et al. .... D8/8
D. 249,630 9/1978 Ballas ..... D8/8
D. 251,699 5/1979 Averitt ..... D8/8
D. 251,961 5/1979 Averitt ..... D8/8
D. 255,764 7/1980 Lombard ..... D8/8
D. 292,980 12/1987 Tomita et al. .... D8/8
D. 301,009 5/1989 Pilatowicz et al. .
D. 303,483 9/1989 Takahashi et al. .... D8/8
D. 307,860 5/1990 Ellis ..... D8/8
D. 317,852 7/1991 Fujiwara et al. .... D8/8
D. 320,398 10/1991 Clivio ..... D8/8
D. 335,674 5/1993 Hoshino ..... D8/8
D. 336,223 6/1993 Miyamoto et al. .... D8/8
D. 349,220 8/1994 Griffin ..... D8/8
D. 349,221 8/1994 Griffin ..... D8/8
D. 351,768 10/1994 Griffin ..... D8/8
D. 354,892 1/1995 Griffin ..... D8/8
D. 356,014 3/1995 Griffin ..... D8/8
4,200,978 5/1980 Irelan et al. .
4,285,128 8/1981 Schnell et al. .
4,338,719 7/1982 Burkholder .
4,501,332 2/1985 Straayer .
4,578,863 4/1986 Laverick .

- 4,679,385 7/1987 Carmine .
4,733,471 3/1988 Rahe .
4,823,464 4/1989 Gorski .
4,825,548 5/1989 Driggers .
4,987,732 1/1991 Terai et al. .
5,027,591 7/1991 Nakamura et al. .
5,181,369 1/1993 Everts .
5,265,341 11/1993 Kikuchi .

FOREIGN PATENT DOCUMENTS

0515909 5/1992 European Pat. Off. .

OTHER PUBLICATIONS

Weed Eater catalog, Mar. 1986, p. 2, electric trimmer handle circled at top right of page.

German publication M 92 05 166.9 Mar. 10, 1993, garden trimmer.

German publication M 94 07 032.6 Jan. 25, 1992, garden trimmer.

German publication M 91 03 881 Jan. 25, 1992.

International Designs Bulletin—Dec. 1992 DM/024 776.

Primary Examiner—Holly Baynham

Attorney, Agent, or Firm—Charles E. Yocum; Dennis A. Dearing; John D. Del Ponti

[57] CLAIM

The ornamental design for a handle for vegetation cutter, as shown in the drawings.

DESCRIPTION

FIG. 1 is a right side perspective view of a preferred embodiment of a handle for a vegetation cutter in accordance with the present invention; FIG. 2 is a bottom view of the handle of FIG. 1; FIG. 3 is a top view of the handle of FIG. 1; FIG. 4 is a rear view of the handle of FIG. 1; FIG. 5 is a front view of the handle shown in FIG. 1; FIG. 6 is a right side view of the handle shown in FIG. 1; FIG. 7 is a left side view of the handle of FIG. 1; FIG. 8 is a perspective view of the right side of a handle for a vegetation cutter in accordance with an alternative preferred embodiment of the present invention; FIG. 9 is a bottom view of the handle of FIG. 8; FIG. 10 is a top view of the handle of FIG. 8; FIG. 11 is a rear view of the handle of FIG. 8;

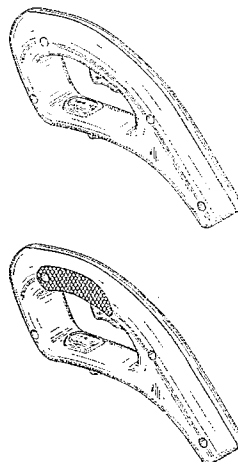


FIG. 12 is a front view of the handle of FIG. 8;  
FIG. 13 is a right view of the handle of FIG. 8; and,  
FIG. 14 is a left view of the handle of FIG. 8.

**1 Claim, 8 Drawing Sheets**

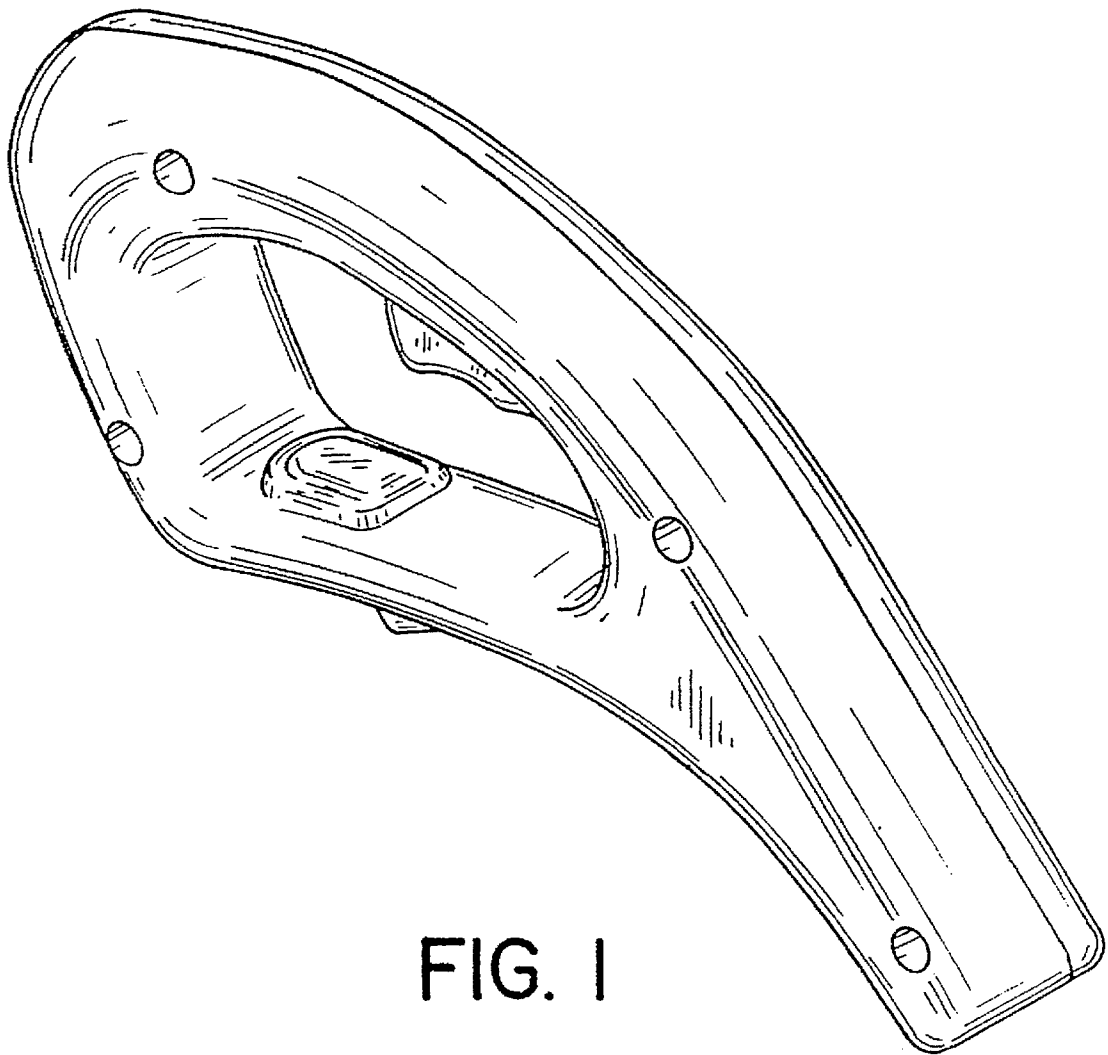


FIG. 1

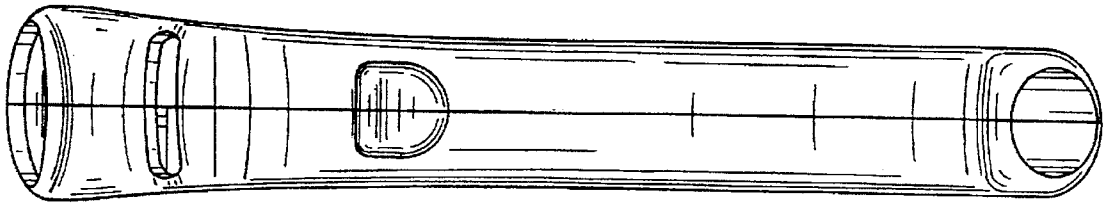


FIG. 2

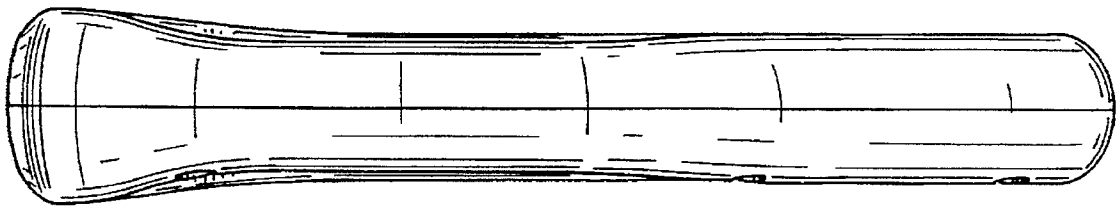


FIG. 3

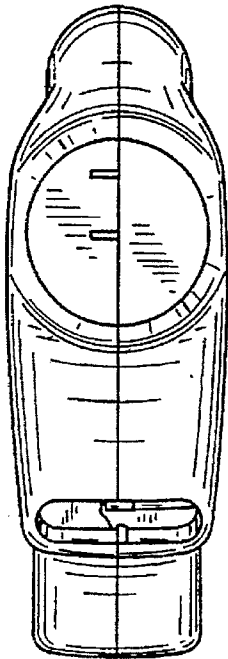


FIG. 4

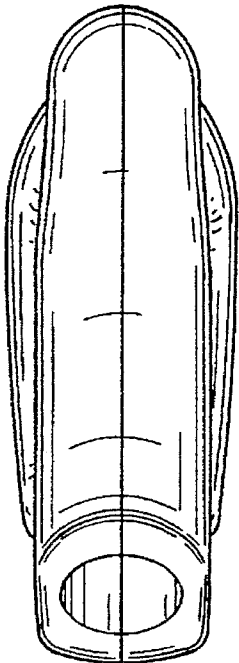


FIG. 5

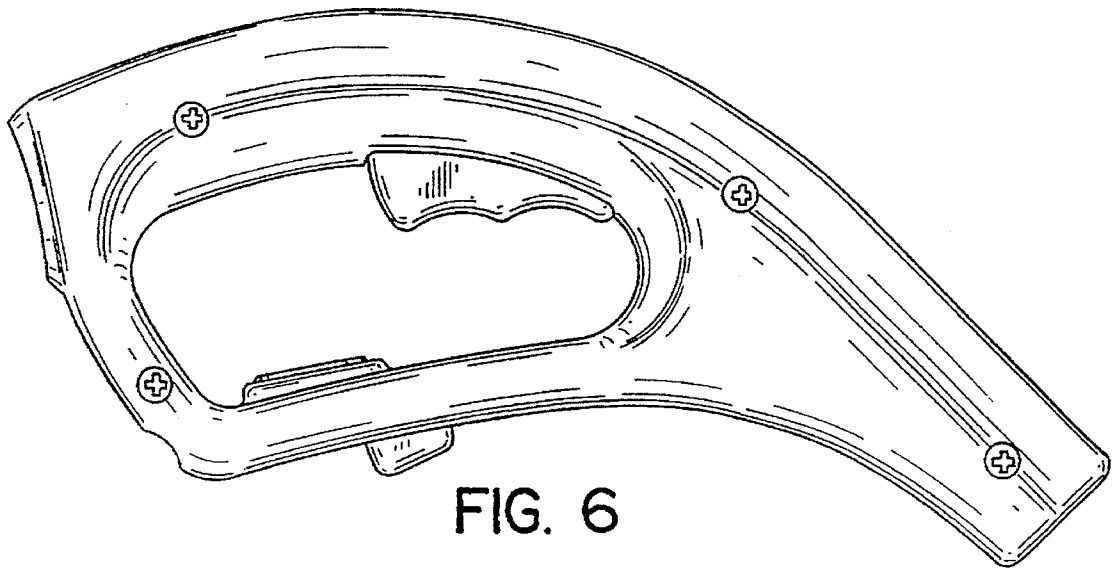


FIG. 6

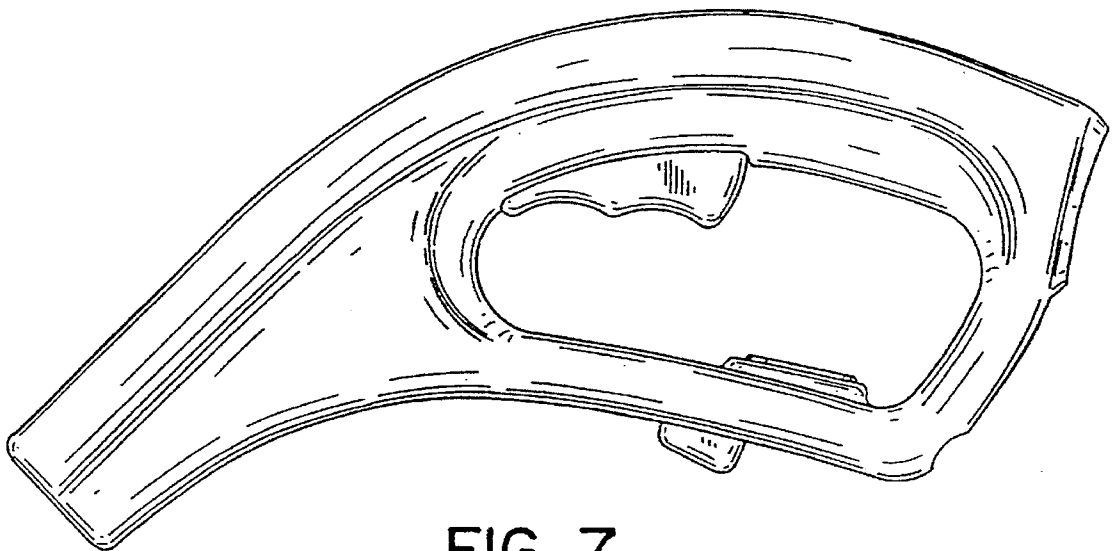


FIG. 7

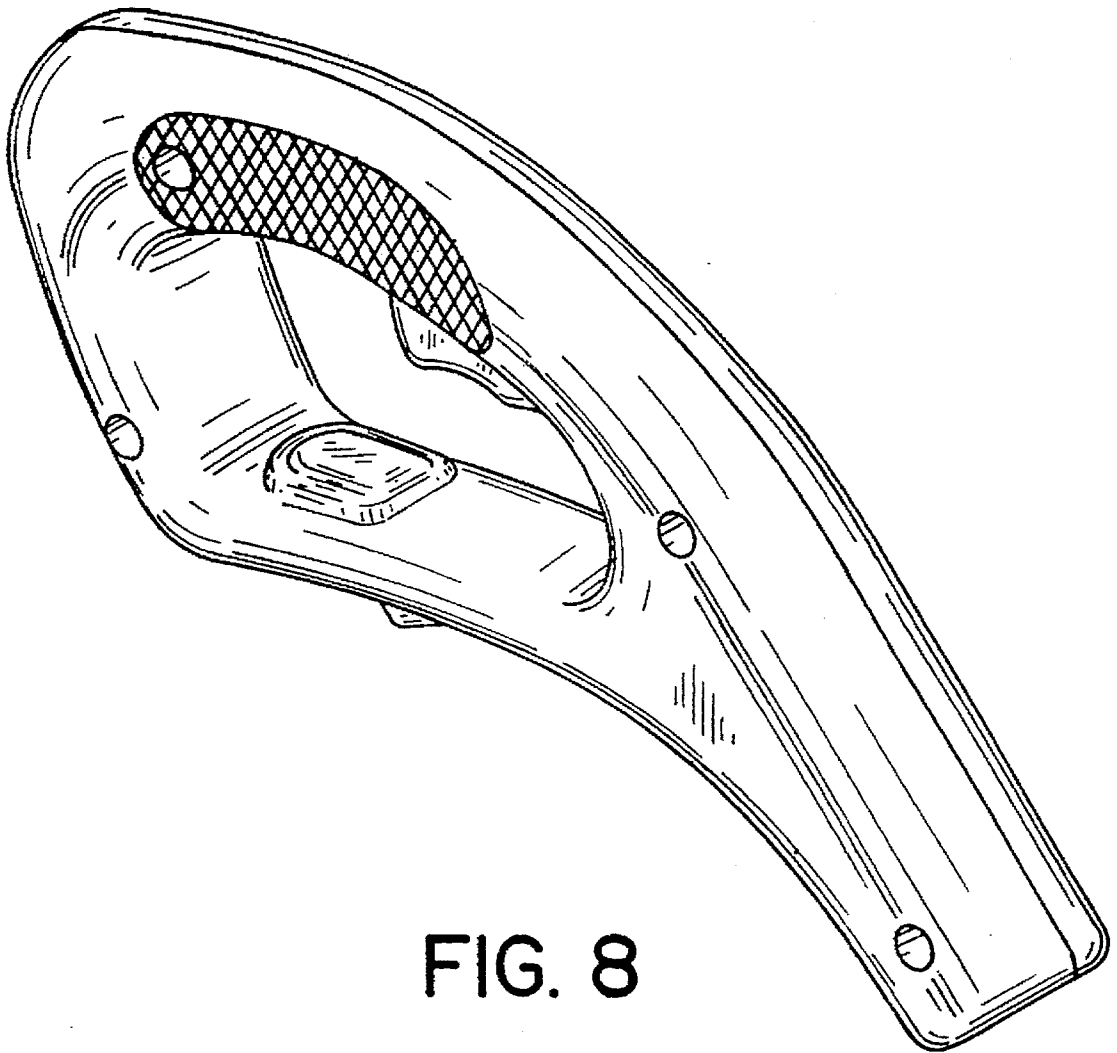


FIG. 8

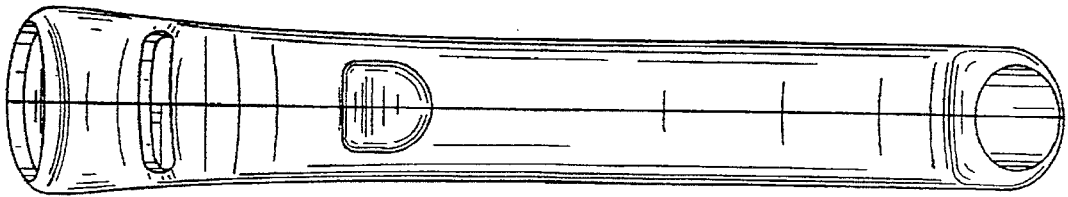


FIG. 9

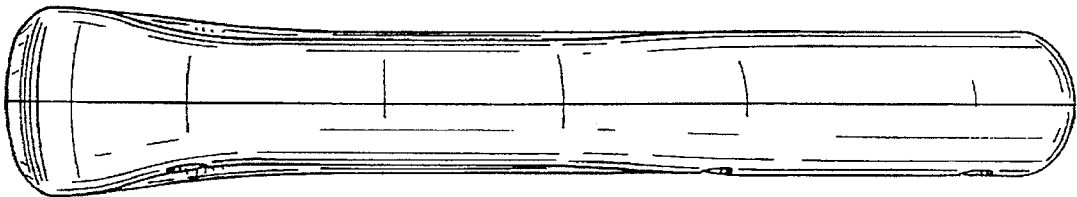


FIG. 10



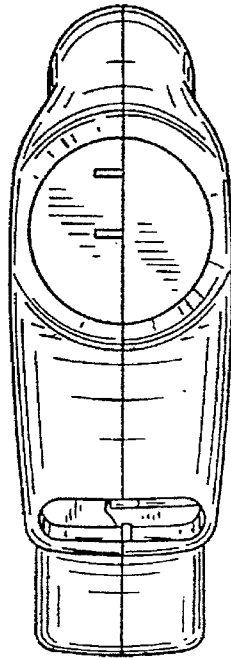


FIG. 11

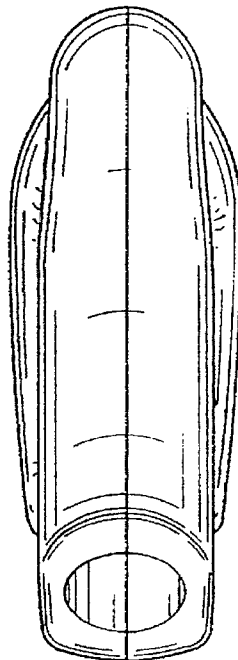


FIG. 12

