



US00D672136S

(12) **United States Design Patent**
Martin

(10) **Patent No.:** **US D672,136 S**

(45) **Date of Patent:** **** Dec. 11, 2012**

(54) **KEY HOLDER**

(76) Inventor: **Gary W. Martin**, Santa Maria, CA (US)

(**) Term: **14 Years**

(21) Appl. No.: **29/383,335**

(22) Filed: **Jan. 14, 2011**

(51) **LOC (9) Cl.** **03-01**

(52) **U.S. Cl.** **D3/212**

(58) **Field of Classification Search** D11/48,
D11/49, 53, 54, 55, 99, 100-102; 63/26-28,
63/32; D3/207-212; D8/16, 38, 347, 348,
D8/354, 395; 70/456 R, 457, 458; 206/37.1;
D21/576, 593, 594, 606, 609, 610, 611, 659,
D21/660; 74/526; D24/112, 130; 150/40

See application file for complete search history.

(56) **References Cited**

U.S. PATENT DOCUMENTS

1,494,242	A *	5/1924	Hill	70/456 R
2,086,378	A *	7/1937	Butler	206/37.8
2,699,667	A *	1/1955	Mark et al.	70/414
D241,582	S *	9/1976	Stark	D3/212
4,048,824	A *	9/1977	Blackmon	70/456 R
4,934,521	A *	6/1990	Gebert	206/37.1

D326,957	S *	6/1992	Gebert	D3/212
D390,000	S *	2/1998	Savas	D3/208
D395,949	S *	7/1998	Dye	D3/211

* cited by examiner

Primary Examiner — Ralf Seifert
(74) *Attorney, Agent, or Firm* — QuickPatents, Inc.; Kevin Prince

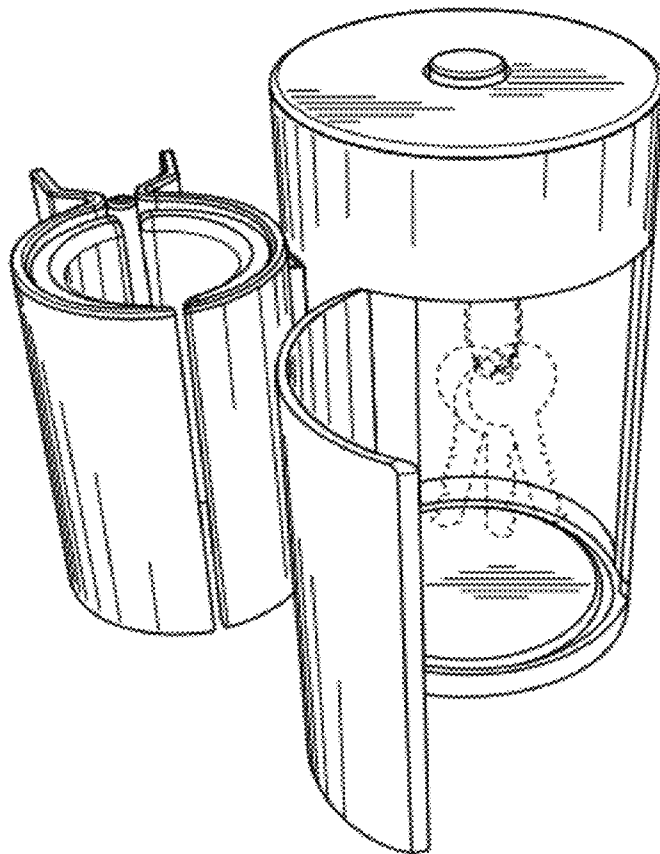
(57) **CLAIM**

The ornamental design for a key holder, as shown and described.

DESCRIPTION

FIG. 1 is a top perspective view of a key holder, showing the new design with a door in an open position;
FIG. 2 is a bottom perspective view thereof, illustrated with the door in a closed position;
FIG. 3 is a front elevational view of FIG. 2;
FIG. 4 is a right-side elevational view of FIG. 2;
FIG. 5 is a left-side elevational view of FIG. 2;
FIG. 6 is a top plan view of FIG. 2;
FIG. 7 is a bottom plan view of FIG. 2; and,
FIG. 8 is a rear elevational view of FIG. 2.
The broken lines showing a set of keys in FIG. 1 are included for the purpose of illustrating the invention in use, and form no part of the claimed design.

1 Claim, 3 Drawing Sheets



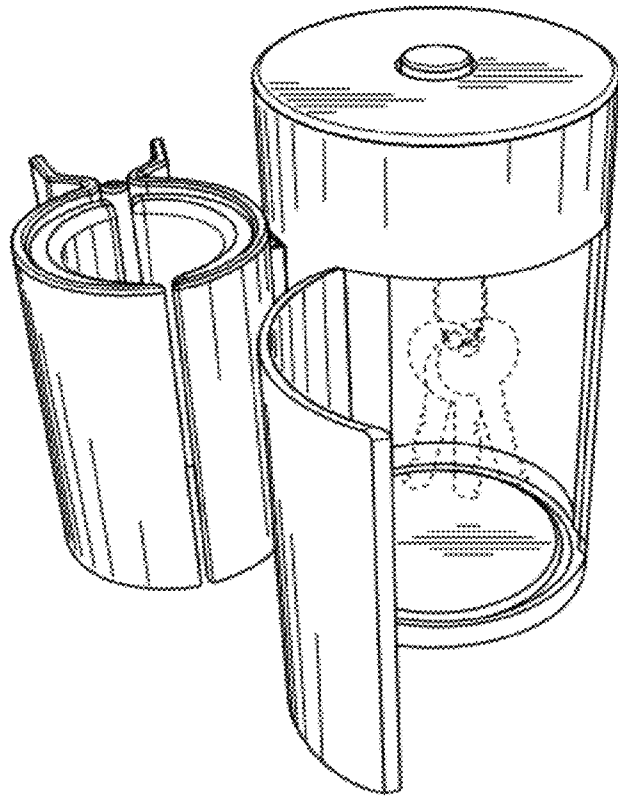


FIG. 1

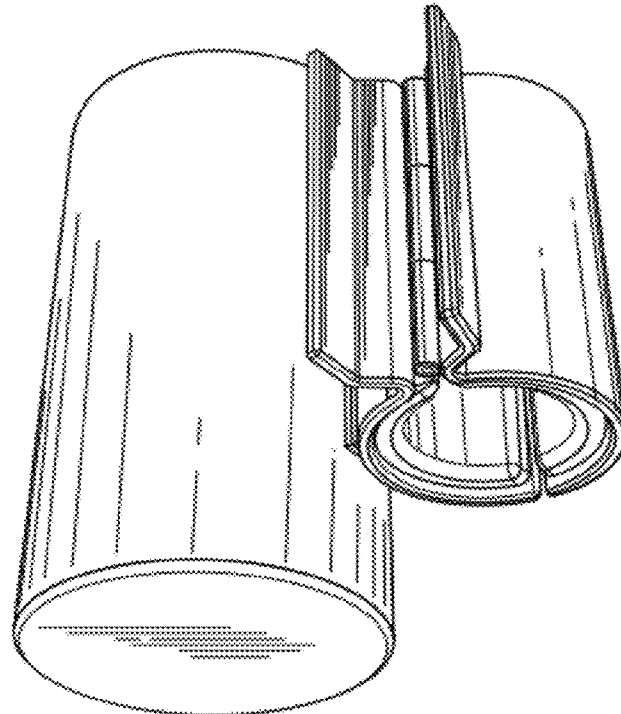


FIG. 2

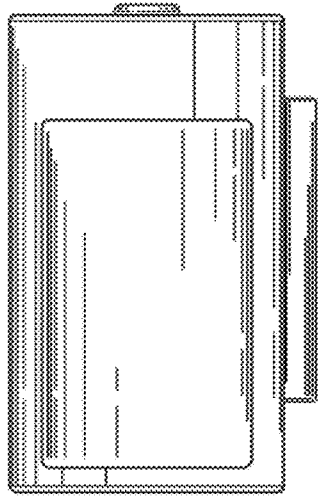


FIG. 3

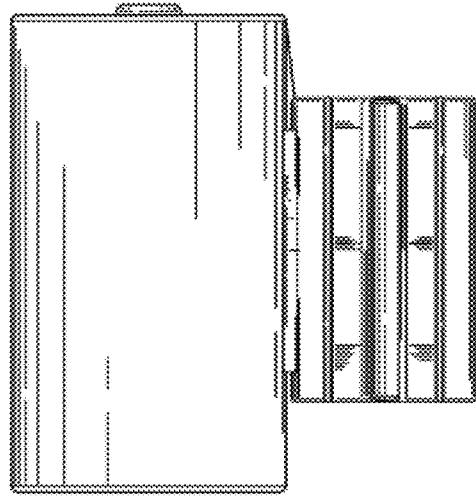


FIG. 4

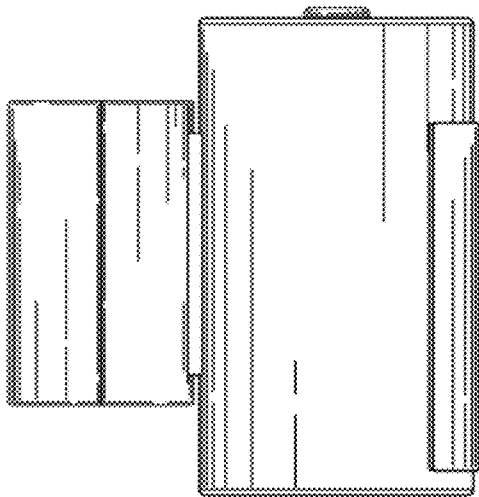


FIG. 5

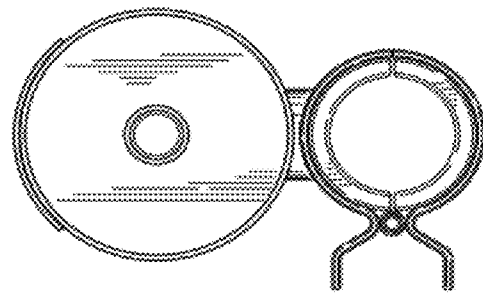


FIG. 6

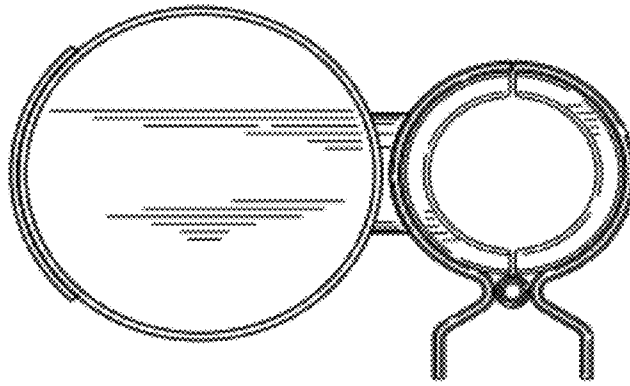


FIG. 7

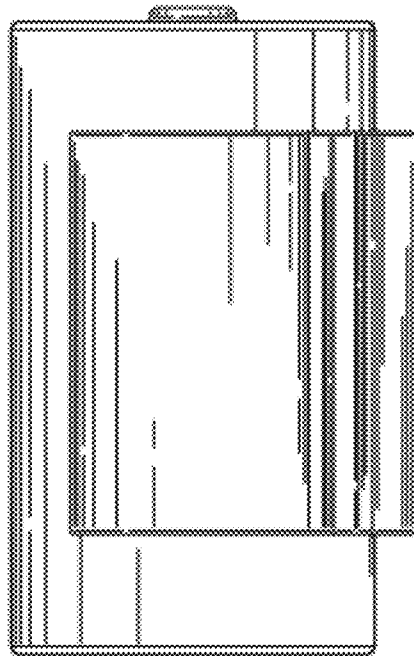


FIG. 8