



- (51) **International Patent Classification:**
A61B 6/00 (2006.01) A61B 6/04 (2006.01)
- (21) **International Application Number:**
PCT/US2012/048882
- (22) **International Filing Date:**
30 July 2012 (30.07.2012)
- (25) **Filing Language:** English
- (26) **Publication Language:** English
- (30) **Priority Data:**
61/513,074 29 July 2011 (29.07.2011) US
- (71) **Applicant (for all designated States except US):** CONTOUR FABRICATORS, INC. [US/US]; 14241 Fenton Road, Fenton, MI 48430 (US).
- (72) **Inventors; and**
- (75) **Inventors/Applicants (for US only):** BALL, Bruce, W. [US/US]; 1340 Flushing Road, Flushing, MI 48433 (US). PARSONS, Clifford, S. [US/US]; 7250 Sheridan, Flushing, MI 48433 (US).
- (74) **Agents:** WRIGHT, John, D. et al.; Dickinson Wright PLLC, 2600 West Big Beaver Road, Ste. 300, Troy, MI 48084 (US).
- (81) **Designated States (unless otherwise indicated, for every kind of national protection available):** AE, AG, AL, AM,

AO, AT, AU, AZ, BA, BB, BG, BH, BN, BR, BW, BY, BZ, CA, CH, CL, CN, CO, CR, CU, CZ, DE, DK, DM, DO, DZ, EC, EE, EG, ES, FI, GB, GD, GE, GH, GM, GT, HN, HR, HU, ID, IL, IN, IS, JP, KE, KG, KM, KN, KP, KR, KZ, LA, LC, LK, LR, LS, LT, LU, LY, MA, MD, ME, MG, MK, MN, MW, MX, MY, MZ, NA, NG, NI, NO, NZ, OM, PE, PG, PH, PL, PT, QA, RO, RS, RU, RW, SC, SD, SE, SG, SK, SL, SM, ST, SV, SY, TH, TJ, TM, TN, TR, TT, TZ, UA, UG, US, UZ, VC, VN, ZA, ZM, ZW.

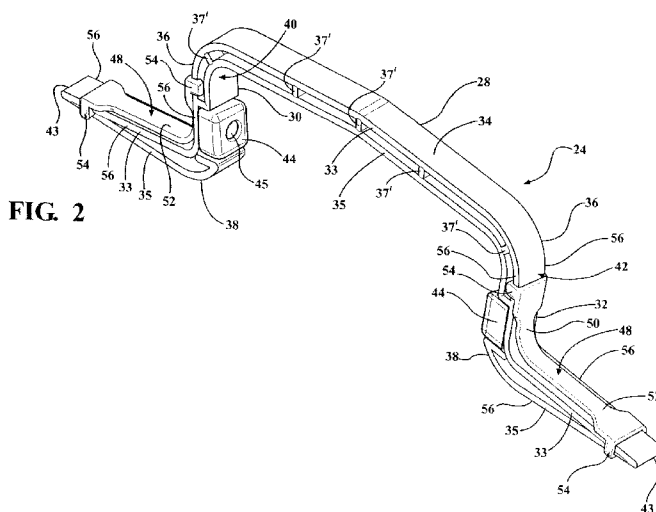
- (84) **Designated States (unless otherwise indicated, for every kind of regional protection available):** ARIPO (BW, GH, GM, KE, LR, LS, MW, MZ, NA, RW, SD, SL, SZ, TZ, UG, ZM, ZW), Eurasian (AM, AZ, BY, KG, KZ, RU, TJ, TM), European (AL, AT, BE, BG, CH, CY, CZ, DE, DK, EE, ES, FI, FR, GB, GR, HR, HU, IE, IS, IT, LT, LU, LV, MC, MK, MT, NL, NO, PL, PT, RO, RS, SE, SI, SK, SM, TR), OAPI (BF, BJ, CF, CG, CI, CM, GA, GN, GQ, GW, ML, MR, NE, SN, TD, TG).

Published:

— with international search report (Art. 21(3))

- (88) **Date of publication of the international search report:**
18 April 2013

(54) **Title:** FLUOROSCOPY C-ARM DRAPE CLIP, DRAPE CLIP ASSEMBLY AND METHOD OF CLIPPING A STERILE DRAPE TO A FLUOROSCOPY C-ARM





(57) **Abstract:** A fluoroscopy C-arm drape clip for attaching a sterile drape to a C-arm of a fluoroscopy C-arm imaging unit and method of providing a sterile outer surface on a C- arm of a fluoroscopy C-arm imaging unit is provided. The drape clip includes a generally U-shaped band having a pair of legs and an arm. Each of the legs has a first end attached to the arm and a second end spaced from the arm. The legs extend away from the arm in non-parallel, laterally spaced relation with one another and have inner surfaces facing one another and an outer surfaces facing away from one another. Further, an elastic pad is attached to the inner surface of each of the legs adjacent the second ends.



INTERNATIONAL SEARCH REPORT

International application No.
PCT/US2012/048882

A. CLASSIFICATION OF SUBJECT MATTER		
<i>A61B 6/00(2006.01)i, A61B 6/04(2006.01)i</i>		
According to International Patent Classification (IPC) or to both national classification and IPC		
B. FIELDS SEARCHED		
Minimum documentation searched (classification system followed by classification symbols) A61B 6/00; H05G 1/02; A01G 9/24; A61B 19/10; A01G 9/14; F16B 5/12		
Documentation searched other than minimum documentation to the extent that such documents are included in the fields searched Korean utility models and applications for utility models Japanese utility models and applications for utility models		
Electronic data base consulted during the international search (name of data base and, where practicable, search terms used) eKOMPASS(KIPO internal) & Keywords: c-arm, drape, clip		
C. DOCUMENTS CONSIDERED TO BE RELEVANT		
Category*	Citation of document, with indication, where appropriate, of the relevant passages	Relevant to claim No.
X	US 05426683 A (O'FARRELL, JR.; FRANK B. et al.) 20 June 1995 See abstract, column 4, lines 25-64, claim 1 and figures 2-3.	1-29
A	US 2010-0275929 A1 (KASKA SERGE) 04 November 2010 See abstract, paragraph [0034] and figures 2,8-9.	1-29
A	KR 20-1997-0004674 Y1 (KIM JONG GUK) 19 May 1997 See abstract, pages 1-2, claim 1 and figures 1-4.	1-29
A	JP 2002-101769 A (YOSHITAKE KAZUO) 09 April 2002 See abstract, paragraphs [0024]-[0026], claim 1 and figures 1-4.	1-29
<input type="checkbox"/> Further documents are listed in the continuation of Box C. <input checked="" type="checkbox"/> See patent family annex.		
* Special categories of cited documents: "A" document defining the general state of the art which is not considered to be of particular relevance "E" earlier application or patent but published on or after the international filing date "L" document which may throw doubts on priority claim(s) or which is cited to establish the publication date of citation or other special reason (as specified) "O" document referring to an oral disclosure, use, exhibition or other means "P" document published prior to the international filing date but later than the priority date claimed "T" later document published after the international filing date or priority date and not in conflict with the application but cited to understand the principle or theory underlying the invention "X" document of particular relevance; the claimed invention cannot be considered novel or cannot be considered to involve an inventive step when the document is taken alone "Y" document of particular relevance; the claimed invention cannot be considered to involve an inventive step when the document is combined with one or more other such documents, such combination being obvious to a person skilled in the art "&" document member of the same patent family		
Date of the actual completion of the international search 21 JANUARY 2013 (21.01.2013)		Date of mailing of the international search report 01 FEBRUARY 2013 (01.02.2013)
Name and mailing address of the ISA/KR  Korean Intellectual Property Office 189 Cheongsu-ro, Seo-gu, Daejeon Metropolitan City, 302-701, Republic of Korea Facsimile No. 82-42-472-7140		Authorized officer KIM Tae Hoon Telephone No. 82-42-481-8407 

INTERNATIONAL SEARCH REPORT

Information on patent family members

International application No.

PCT/US2012/048882

Patent document cited in search report	Publication date	Patent family member(s)	Publication date
US 05426683 A	20.06.1995	US 05506882 A US 05802719 A	09.04.1996 08.09.1998
US 2010-0275929 A1	04.11.2010	CN 102112068 A EP 2265209 A2 US 2009-0255541 A1 US 8042549 B2 US 8286637 B2 WO 2009-126681 A2 WO 2009-126681 A3	29.06.2011 29.12.2010 15.10.2009 25.10.2011 16.10.2012 15.10.2009 15.10.2009
KR 20-1997-0004674 Y1	19.05.1997	None	
JP 2002-101769 A	09.04.2002	None	