

(19) World Intellectual Property Organization  
International Bureau



(43) International Publication Date  
12 September 2002 (12.09.2002)

PCT

(10) International Publication Number  
**WO 02/069823 A3**

(51) International Patent Classification<sup>7</sup>: **A61B 18/18**

(74) Agents: **BATT, Richard, R.** et al.; Morrison & Foerster LLP, 755 Page Mill Road, Palo Alto, CA 94304-1018 (US).

(21) International Application Number: PCT/US02/04612

(22) International Filing Date: 14 February 2002 (14.02.2002)

(81) Designated States (*national*): AE, AG, AL, AM, AT, AU, AZ, BA, BB, BG, BR, BY, BZ, CA, CH, CN, CO, CR, CU, CZ, DE, DK, DM, DZ, EC, EE, ES, FI, GB, GD, GE, GH, GM, HR, HU, ID, IL, IN, IS, JP, KE, KG, KP, KR, KZ, LC, LK, LR, LS, LT, LU, LV, MA, MD, MG, MK, MN, MW, MX, MZ, NO, NZ, OM, PH, PL, PT, RO, RU, SD, SE, SG, SI, SK, SL, TJ, TM, TN, TR, TT, TZ, UA, UG, US, UZ, VN, YU, ZA, ZM, ZW.

(25) Filing Language: English

(26) Publication Language: English

(30) Priority Data:  
60/269,130 14 February 2001 (14.02.2001) US  
09/946,706 4 September 2001 (04.09.2001) US

(84) Designated States (*regional*): ARIPO patent (GH, GM, KE, LS, MW, MZ, SD, SL, SZ, TZ, UG, ZM, ZW), Eurasian patent (AM, AZ, BY, KG, KZ, MD, RU, TJ, TM), European patent (AT, BE, CH, CY, DE, DK, ES, FI, FR, GB, GR, IE, IT, LU, MC, NL, PT, SE, TR), OAPI patent (BF, BJ, CF, CG, CI, CM, GA, GN, GQ, GW, ML, MR, NE, SN, TD, TG).

(71) Applicant (*for all designated States except US*): **BRONCUS TECHNOLOGIES, INC.** [US/US]; 1400 N. Shoreline Blvd, Building A, Suite 8, Mountain View, CA 94043 (US).

(72) Inventors; and

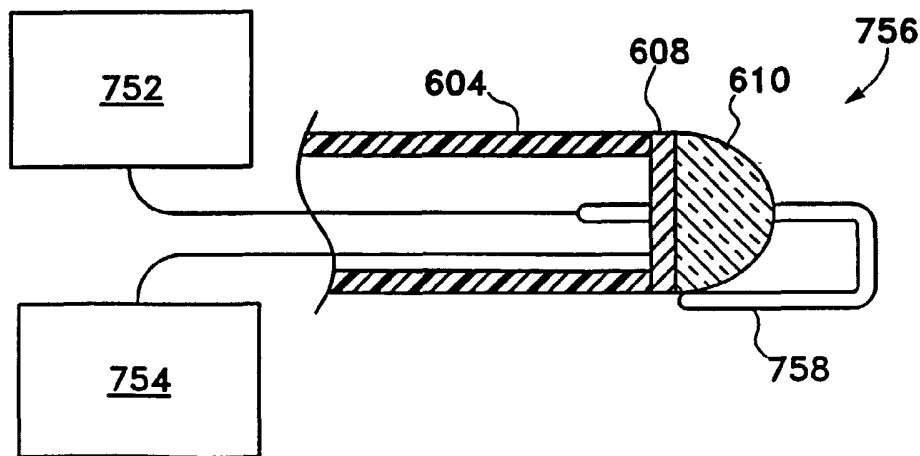
(75) Inventors/Applicants (*for US only*): **KEAST, Thomas** [US/US]; 860 Park Drive #3, Mountain View, CA 94040 (US). **THOMPSON, David** [US/US]; 793 Almondwood Way, San Jose, CA 95120 (US). **TANAKA, Don** [US/US]; 18774 Devon Avenue, Saratoga, CA 95070 (US).

Published:  
— with international search report

(88) Date of publication of the international search report:  
21 November 2002

[Continued on next page]

(54) Title: DEVICES FOR CREATING COLLATERAL CHANNELS



(57) Abstract: The devices disclosed herein are directed to altering gaseous flow within a lung to improve the expiration cycle of, for instance, an individual having chronic obstructive pulmonary disease. More particularly, these devices produce collateral openings or channels (112) through the airway wall (100) so that oxygen depleted/carbon dioxide rich air is able to pass directly out of the lung tissue to facilitate both the exchange of oxygen ultimately into the blood and/or to decompress hyper-inflated lungs.



WO 02/069823 A3



---

*For two-letter codes and other abbreviations, refer to the "Guidance Notes on Codes and Abbreviations" appearing at the beginning of each regular issue of the PCT Gazette.*

# INTERNATIONAL SEARCH REPORT

International application No.  
PCT/US02/04612

**A. CLASSIFICATION OF SUBJECT MATTER**  
 IPC(7) : A61B 18/18  
 US CL : 606/41  
 According to International Patent Classification (IPC) or to both national classification and IPC

**B. FIELDS SEARCHED**  
 Minimum documentation searched (classification system followed by classification symbols)  
 U.S. : 606/41-50; 607/101,122

Documentation searched other than minimum documentation to the extent that such documents are included in the fields searched

Electronic data base consulted during the international search (name of data base and, where practicable, search terms used)

**C. DOCUMENTS CONSIDERED TO BE RELEVANT**

Category *	Citation of document, with indication, where appropriate, of the relevant passages	Relevant to claim No.
X	US 6,135,997 A (LAUFER et al) 24 October 2000, see entire document especially column 13.	1-6
X	US 6,129,726 A (EDWARDS et al) 10 October 2000, see entire document.	1,2, and 4-8

Further documents are listed in the continuation of Box C.       See patent family annex.

<p>* Special categories of cited documents:</p> <p>"A" document defining the general state of the art which is not considered to be of particular relevance</p> <p>"E" earlier application or patent published on or after the international filing date</p> <p>"L" document which may throw doubts on priority claim(s) or which is cited to establish the publication date of another citation or other special reason (as specified)</p> <p>"O" document referring to an oral disclosure, use, exhibition or other means</p> <p>"P" document published prior to the international filing date but later than the priority date claimed</p>	<p>"T" later document published after the international filing date or priority date and not in conflict with the application but cited to understand the principle or theory underlying the invention</p> <p>"X" document of particular relevance; the claimed invention cannot be considered novel or cannot be considered to involve an inventive step when the document is taken alone</p> <p>"Y" document of particular relevance; the claimed invention cannot be considered to involve an inventive step when the document is combined with one or more other such documents, such combination being obvious to a person skilled in the art</p> <p>"&amp;" document member of the same patent family</p>
---	---

Date of the actual completion of the international search 10 April 2002 (10.04.2002)	Date of mailing of the international search report <b>07 AUG 2002</b>
---	--

Name and mailing address of the ISA/US Commissioner of Patents and Trademarks Box PCT Washington, D.C. 20231 Facsimile No. (703)305-3230	Authorized officer Linda Dvorak Telephone No. (703) 308-1148
--	--