

(19) World Intellectual Property
Organization
International Bureau



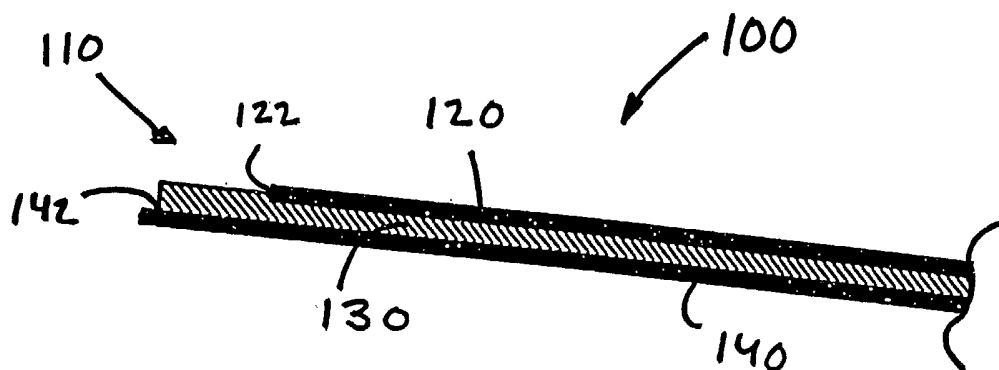
(43) International Publication Date
4 March 2004 (04.03.2004)

PCT

(10) International Publication Number
WO 2004/019663 A3

- (51) International Patent Classification⁷: **B32B 23/02**
- (21) International Application Number:
PCT/US2003/026874
- (22) International Filing Date: 26 August 2003 (26.08.2003)
- (25) Filing Language: English
- (26) Publication Language: English
- (30) Priority Data:
60/406,293 26 August 2002 (26.08.2002) US
- (71) Applicant (for all designated States except US): **PARK ELECTROCHEMICAL CORP.** [US/US]; 5 Dakota Drive, Lake Success, NY 11042 (US).
- (72) Inventors; and
- (75) Inventors/Applicants (for US only): **DHAENENS, Mark** [US/US]; 5890 W. Venus Way, Chandler, AZ 85226 (US). **MCKEE, Scott** [US/US]; 1818 s. Hardy, Tempe, AZ 85281 (US). **ZIDAR, William** [US/US]; 4045 S. Taylor Drive, Tempe, AZ 85282 (US). **BINGHAM, Todd** [US/US]; 3830 Lakewood Parkway E. #2020, Phoenix, AZ 85048 (US).
- (74) Agents: **LUDWIG, S., Peter** et al.; Darby & Darby, P.C., P.O. Box 5257, NeW York, NY 10150-5257 (US).
- (81) Designated States (national): AE, AG, AL, AM, AT, AU, AZ, BA, BB, BG, BR, BY, BZ, CA, CH, CN, CO, CR, CU, CZ, DE, DK, DM, DZ, EC, EE, ES, FI, GB, GD, GE, GH, GM, HR, HU, ID, IL, IN, IS, JP, KE, KG, KP, KR, KZ, LC, LK, LR, LS, LT, LU, LV, MA, MD, MG, MK, MN, MW, MX, MZ, NI, NO, NZ, OM, PG, PH, PL, PT, RO, RU, SC, SD, SE, SG, SK, SL, SY, TJ, TM, TN, TR, TT, TZ, UA, UG, US, UZ, VC, VN, YU, ZA, ZM, ZW.
- (84) Designated States (regional): ARIPO patent (GH, GM, KE, LS, MW, MZ, SD, SL, SZ, TZ, UG, ZM, ZW), Eurasian patent (AM, AZ, BY, KG, KZ, MD, RU, TJ, TM), European patent (AT, BE, BG, CH, CY, CZ, DE, DK, EE, ES, FI, FR, GB, GR, HU, IE, IT, LU, MC, NL, PT, RO, SE, SI, SK, TR), OAPI patent (BF, BJ, CF, CG, CI, CM, GA, GN, GQ, GW, ML, MR, NE, SN, TD, TG).
- Published:**
— with international search report
— before the expiration of the time limit for amending the claims and to be republished in the event of receipt of amendments
- (88) Date of publication of the international search report:
1 April 2004
- For two-letter codes and other abbreviations, refer to the "Guidance Notes on Codes and Abbreviations" appearing at the beginning of each regular issue of the PCT Gazette.*

(54) Title: THE LAMINATE STRUCTURES AND METHOD FOR THE ELECTRICAL TESTING THEREOF



(57) Abstract: A method for testing for defects in a thin-laminate structure suitable for use in a number of different applications, including the manufacture of capacitive PCBs, is provided in which the testing is conducted on the thin-laminate sheet immediately after lamination but prior to formation of multiple panels from the sheet. The invention includes a thin-laminate sheet that is constructed so that the two conductive layers are electrically isolated from one another along the peripheral edges of the sheet.

WO 2004/019663 A3

INTERNATIONAL SEARCH REPORT

International application No.

PCT/US03/26874

A. CLASSIFICATION OF SUBJECT MATTER

IPC(7) : B32B 23/02

US CL : 428/192

According to International Patent Classification (IPC) or to both national classification and IPC

B. FIELDS SEARCHED

Minimum documentation searched (classification system followed by classification symbols)

U.S. : 428/192

Documentation searched other than minimum documentation to the extent that such documents are included in the fields searched

Electronic data base consulted during the international search (name of data base and, where practicable, search terms used)

EAST 1.4.02

C. DOCUMENTS CONSIDERED TO BE RELEVANT

Category *	Citation of document, with indication, where appropriate, of the relevant passages	Relevant to claim No.
X	US 6,114,015 A (FILLION et al) 5 September 2000 (05.09.2000), columns 1-9	1
---	---	---
Y	6,404,615 B1 (Wijeyesekera et a) 11 June 2002 (11.06.2002), columns 1-22	2-19

Further documents are listed in the continuation of Box C.

See patent family annex.

* Special categories of cited documents:	
"A" document defining the general state of the art which is not considered to be of particular relevance	"T" later document published after the international filing date or priority date and not in conflict with the application but cited to understand the principle or theory underlying the invention
"E" earlier application or patent published on or after the international filing date	"X" document of particular relevance; the claimed invention cannot be considered novel or cannot be considered to involve an inventive step when the document is taken alone
"L" document which may throw doubts on priority claim(s) or which is cited to establish the publication date of another citation or other special reason (as specified)	"Y" document of particular relevance; the claimed invention cannot be considered to involve an inventive step when the document is combined with one or more other such documents, such combination being obvious to a person skilled in the art
"O" document referring to an oral disclosure, use, exhibition or other means	"&" document member of the same patent family
"P" document published prior to the international filing date but later than the priority date claimed	

Date of the actual completion of the international search

08 December 2003 (08.12.2003)

Date of mailing of the international search report

23 FEB 2004

Name and mailing address of the ISA/US

Mail Stop PCT, Attn: ISA/US
Commissioner for Patents
P.O. Box 1450
Alexandria, Virginia 22313-1450

Facsimile No. (703)305-3230

Authorized officer

W. David Coleman

Telephone No. 703-308-0956