



(12) **United States Design Patent**  
**Downs**

(10) **Patent No.:** **US D723,558 S**  
(45) **Date of Patent:** **\*\* Mar. 3, 2015**

(54) **JOYSTICK MODULE**

(71) Applicant: **Penny & Giles Controls Limited,**  
Dorset (GB)

(72) Inventor: **Charles Downs,** Wimborne (GB)

(73) Assignee: **Penny & Giles Controls Limited,**  
Christchurch, Dorset (GB)

(\*\*) Term: **14 Years**

(21) Appl. No.: **29/450,743**

(22) Filed: **Mar. 21, 2013**

(30) **Foreign Application Priority Data**

Sep. 25, 2012 (GB) ..... 4026475

(51) **LOC (10) Cl.** ..... **14-03**

(52) **U.S. Cl.**  
USPC ..... **D14/413; D12/133**

(58) **Field of Classification Search**

USPC ..... D14/217, 218, 356, 388, 389, 400, 401,  
D14/412-416, 432-434, 454, 496;  
D21/324, 332, 333; D34/27, 35; 463/1,  
463/30, 36-38, 46, 47; 345/156-161, 905;  
D12/174, 178-180, 131, 133; D8/300,  
D8/303; D15/138, 142; 74/489, 502.2,  
74/523, 551.8, 551.9; D13/168

See application file for complete search history.

(56) **References Cited**

U.S. PATENT DOCUMENTS

D409,169	S *	5/1999	Gustafsson	.....	D14/454
D503,928	S *	4/2005	Obata	.....	D13/164
6,938,923	B2 *	9/2005	Mulhern et al.	.....	280/755
D552,609	S *	10/2007	Kornblum et al.	.....	D14/412
D599,829	S *	9/2009	Jorgensen et al.	.....	D15/28
D607,457	S *	1/2010	Hui et al.	.....	D14/434
D672,397	S *	12/2012	Wai	.....	D21/333
D678,848	S *	3/2013	Dale et al.	.....	D13/168
D689,529	S *	9/2013	Hagura et al.	.....	D15/28
8,753,208	B2 *	6/2014	Jaouen et al.	.....	463/38
2014/0083225	A1 *	3/2014	Downs et al.	.....	74/471 XY

\* cited by examiner

*Primary Examiner* — Keli L Hill

(74) *Attorney, Agent, or Firm* — James F. Hann; Haynes Beffel & Wolfeld LLP

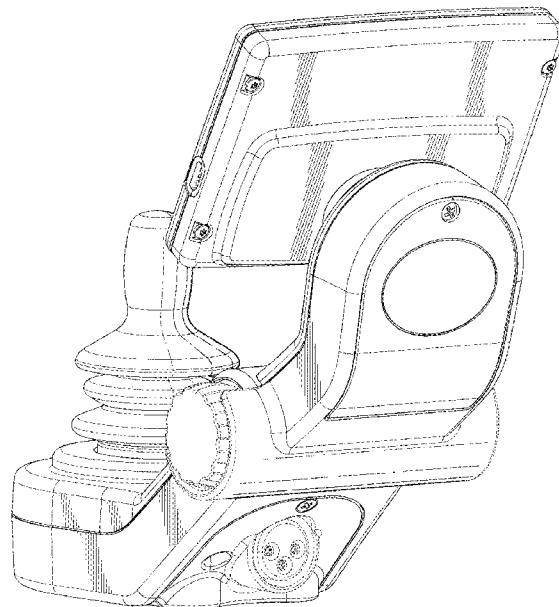
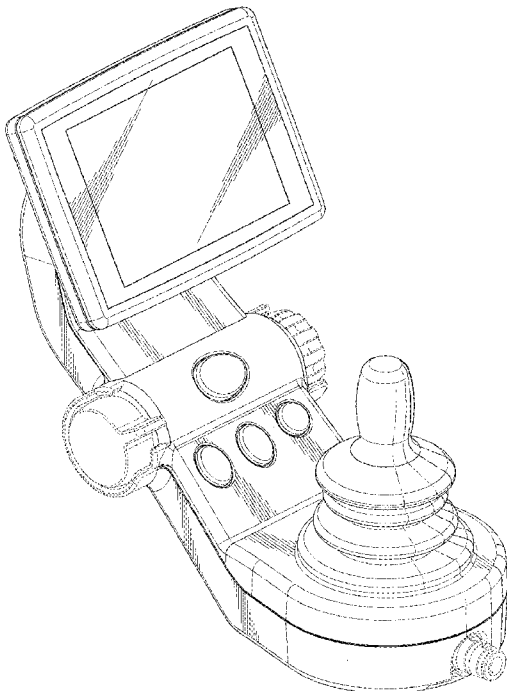
(57) **CLAIM**

The ornamental design for a joystick module, as shown and described.

**DESCRIPTION**

FIG. 1 is a front, left side and top perspective view of a joystick module, embodying our new design; FIG. 2 is a rear, right side and top perspective view thereof; and, FIG. 3 is a right side elevation view thereof. The broken lines are for the purpose of illustrating portions of the joystick module and form no part of the claimed design. The joystick module is used to control an electric wheelchair.

**1 Claim, 3 Drawing Sheets**



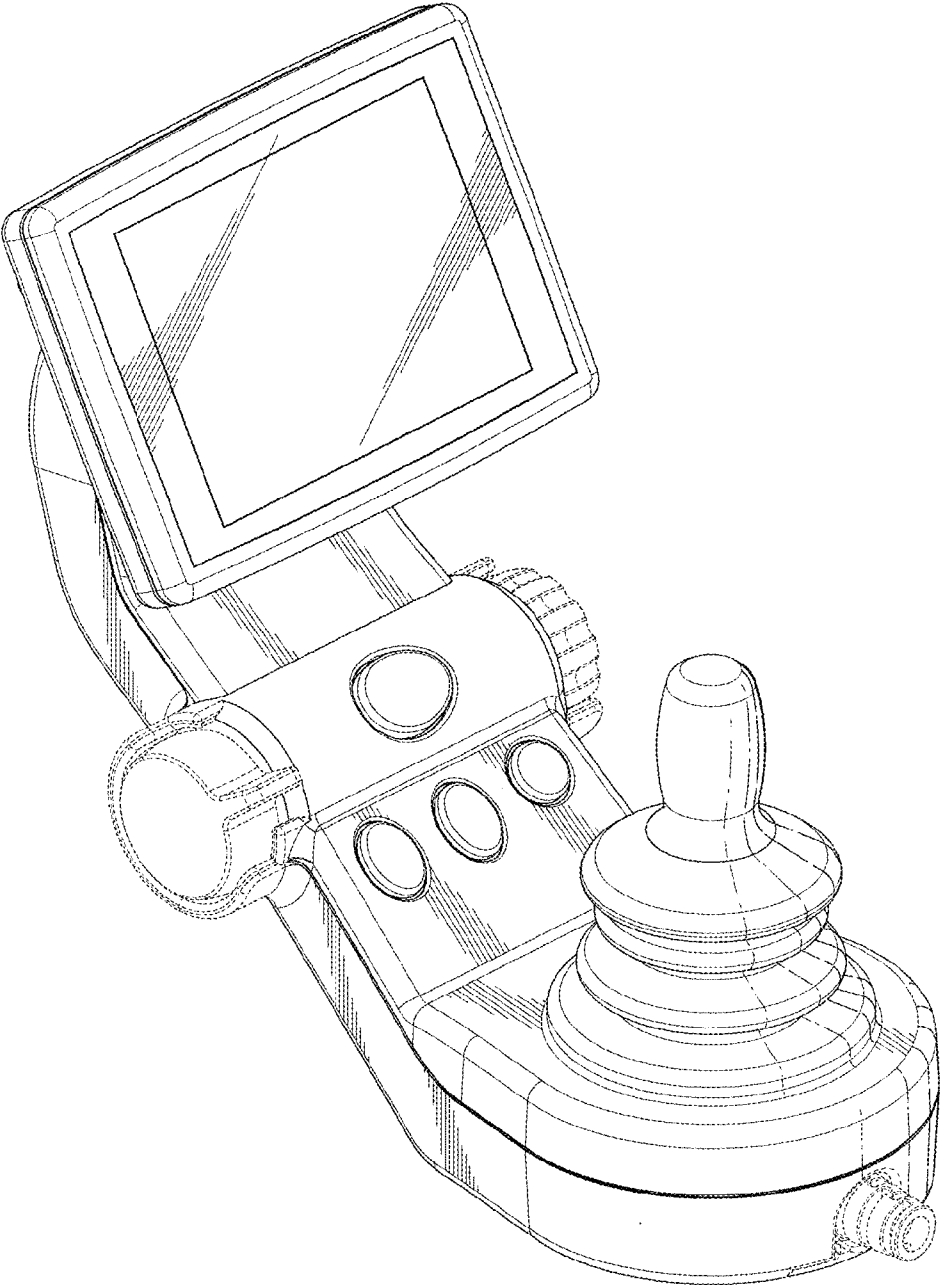


FIG. 1

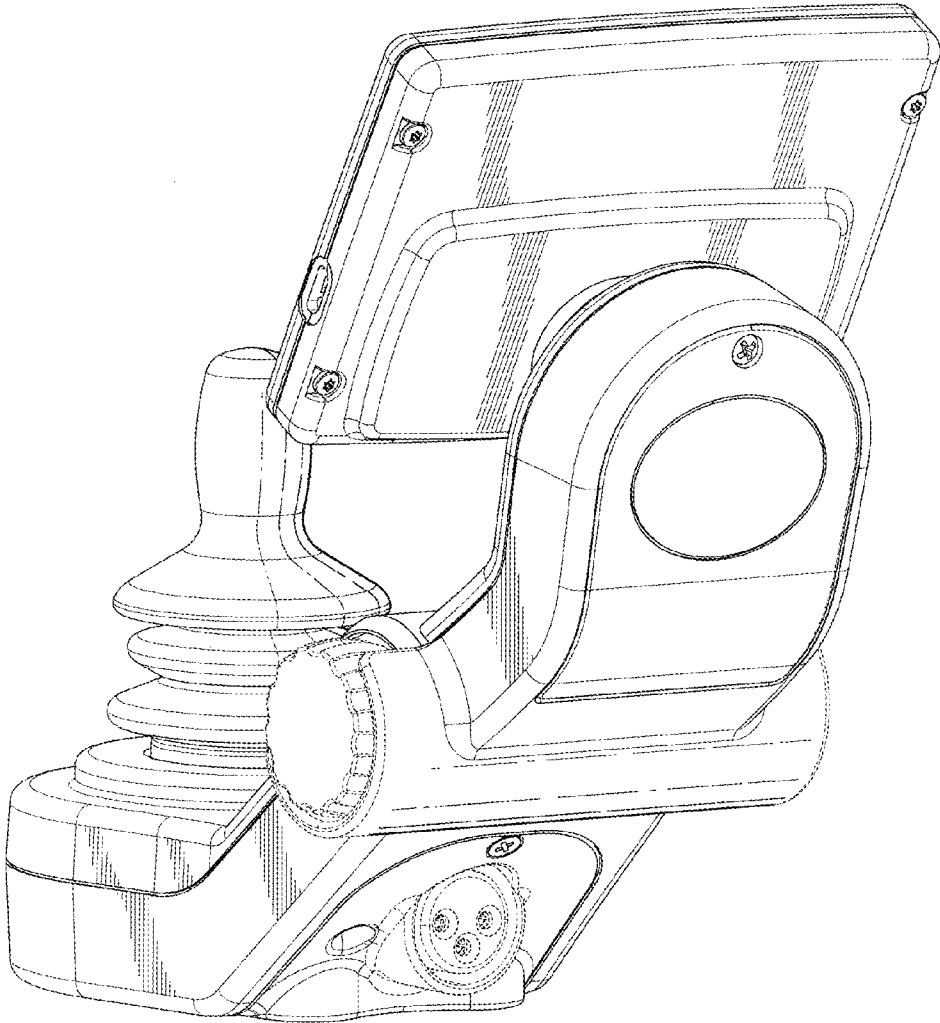


FIG. 2

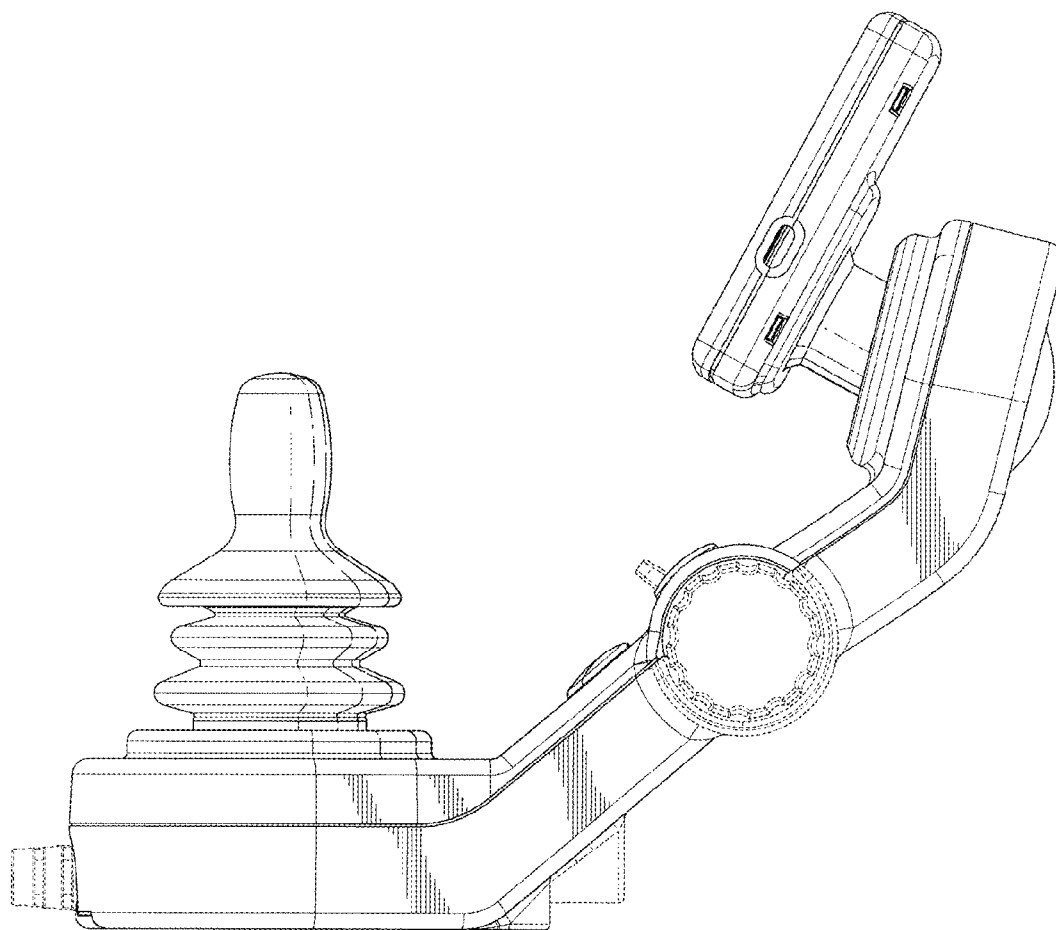


FIG. 3