

[54] ANTENNA

[75] Inventors: Masaaki Iino, Yokohama; Shinji Saito, Tokyo, both of Japan

[73] Assignee: Tokyo Shibaura Denki Kabushiki Kaisha, Japan

[**] Term: 14 Years

[21] Appl. No.: 353,518

[22] Filed: Mar. 1, 1982

[30] Foreign Application Priority Data

Sep. 8, 1981 [JP] Japan 56-39389

[52] U.S. Cl. D14/86

[58] Field of Search D14/86, 88-91; 343/773, 899, 912

[56] References Cited

U.S. PATENT DOCUMENTS

- 2,543,130 2/1951 Robertson 343/912
- 2,549,143 4/1951 Tinus 343/912 X
- 3,987,456 10/1976 Gelin 343/773 X

FOREIGN PATENT DOCUMENTS

- 1502100 2/1978 United Kingdom 343/773

OTHER PUBLICATIONS

DX Catalog for Ultra-Compact Outdoor Active Antenna, DX Antenna Co., Ltd.

TDK Audio Accessories Catalog, TDK Electronics Co., Ltd.

Technics Component System Catalog (CAT-HG-5), 1981, Matsushita Electrical Industrial Co., Ltd.

Sony "Sound Sensor" Catalog, 1981, Sony Corporation.

Sony "Liberty Catalog, 1981, Sony Corporation.

Primary Examiner—Jane E. Corrigan

Attorney, Agent, or Firm—Finnegan, Henderson, Farabow, Garrett & Dunner

[57] CLAIM

The ornamental design for an antenna, substantially as shown and described.

DESCRIPTION

FIG. 1 is a front and top perspective view of an antenna showing our new design;

FIG. 2 is a front elevational view thereof;

FIG. 3 is a right side elevational view, the left being a mirror image thereof;

FIG. 4 is a top plan view thereof;

FIG. 5 is a rear elevational view thereof;

FIG. 6 is a front and top perspective view of a modified form of an antenna showing our new design;

FIG. 7 is a front elevational view thereof;

FIG. 8 is a right side elevational view, the left being a mirror image thereof;

FIG. 9 is a top plan view thereof; and

FIG. 10 is a bottom plan view thereof.

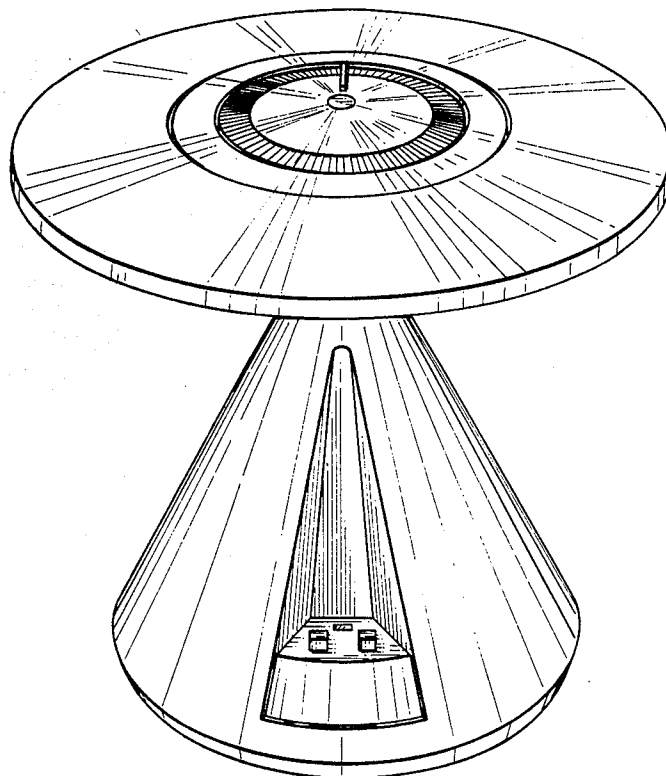


FIG. 1

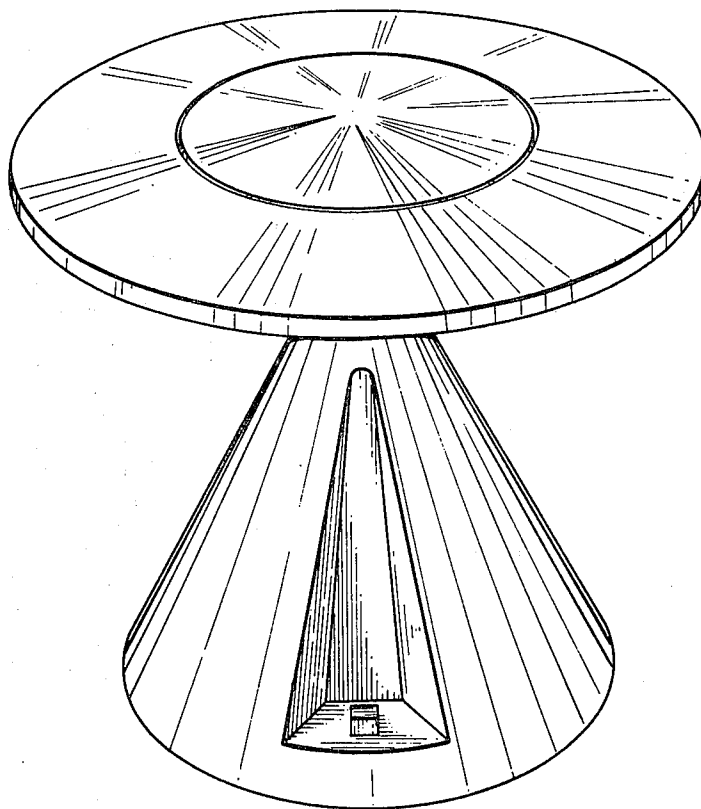


FIG. 2

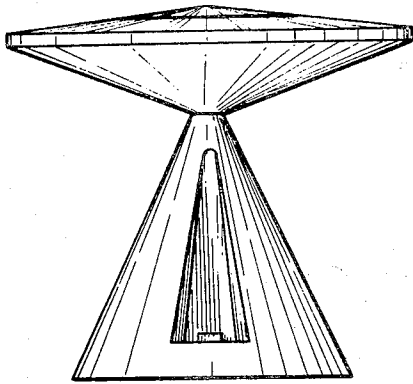


FIG. 3

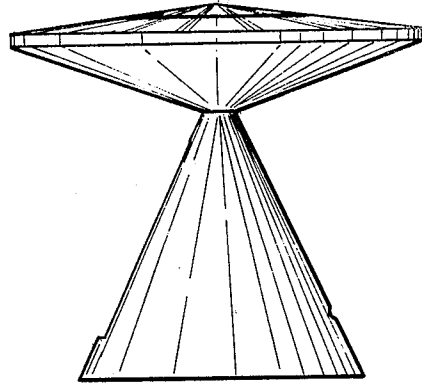


FIG. 4

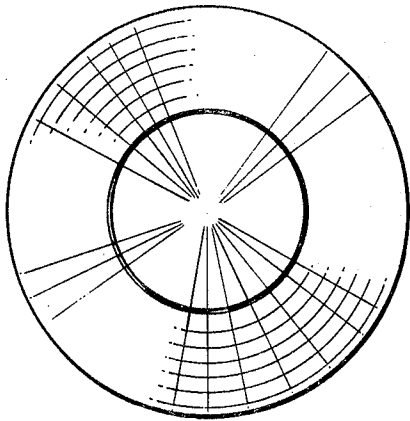


FIG. 5

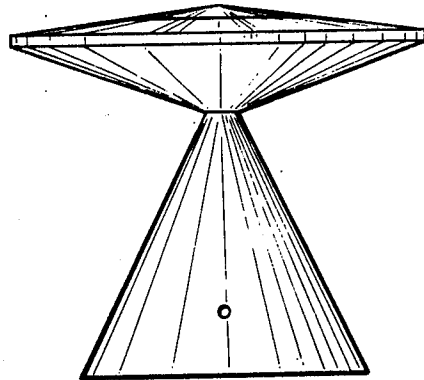


FIG. 6

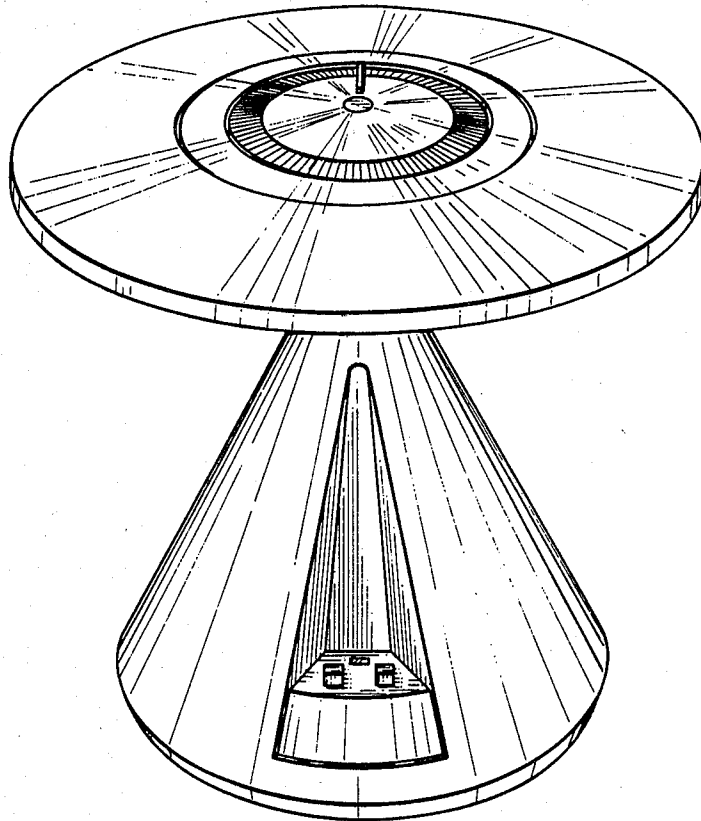


FIG. 7

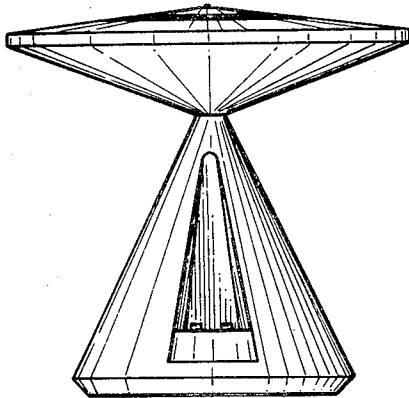


FIG. 8

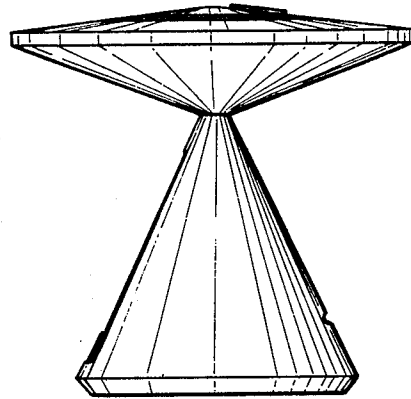


FIG. 9

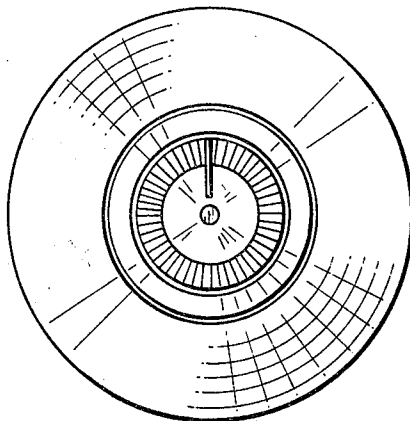


FIG. 10

