



US00D553135S

(12) **United States Design Patent**  
**Muday et al.**

(10) **Patent No.:** **US D553,135 S**  
(45) **Date of Patent:** **\*\* Oct. 16, 2007**

(54) **CANTILEVERED WORKSPACE MOUNT FOR FLAT PANEL DISPLAYS**

(75) Inventors: **Tom Muday**, Scottsdale, AZ (US);  
**Brett Stenhouse**, Phoenix, AZ (US);  
**Zachary Eyman**, Phoenix, AZ (US);  
**Keith Charvonia**, Cave Creek, AZ (US)

(73) Assignee: **Omnimount Systems, Inc.**, Phoenix, AZ (US)

(\*\*) Term: **14 Years**

(21) Appl. No.: **29/265,563**

(22) Filed: **Aug. 31, 2006**

(51) **LOC (8) Cl.** ..... **14-02**

(52) **U.S. Cl.** ..... **D14/452**

(58) **Field of Classification Search** ..... D14/224,  
D14/239, 251, 253, 316, 375, 376, 432, 439,  
D14/447, 448, 451, 452, 457; D6/444, 513;  
D8/349, 355, 363, 373, 380; 248/121, 124.1,  
248/127, 176.1, 177.1, 201, 205.1, 274.1,  
248/276.1, 291.1, 309.1, 313, 346.01, 346.03,  
248/371, 415, 917-24; 312/223.3; 348/825,  
348/836; 379/446, 454

See application file for complete search history.

(56) **References Cited**

**U.S. PATENT DOCUMENTS**

D281,317 S \* 11/1985 Whitaker ..... D14/224  
D503,719 S \* 4/2005 Lin ..... D14/452  
6,915,996 B2 \* 7/2005 Lin ..... 248/288.51

D508,917 S \* 8/2005 Wills et al. .... D14/452  
D522,009 S \* 5/2006 Chen ..... D14/452  
D529,033 S \* 9/2006 Hung ..... D14/452  
D537,706 S \* 3/2007 Ly Hau et al. .... D8/363  
D538,633 S \* 3/2007 Ly Hau et al. .... D8/363  
D539,123 S \* 3/2007 Ly Hau et al. .... D8/363  
D539,127 S \* 3/2007 Ly Hau et al. .... D8/373  
D543,210 S \* 5/2007 Stenhouse et al. .... D14/452  
D543,547 S \* 5/2007 Muday et al. .... D14/452  
2002/0011544 A1 \* 1/2002 Bosson ..... 248/121  
2004/0262474 A1 \* 12/2004 Boks et al. .... 248/276.1

\* cited by examiner

*Primary Examiner*—Cathron C. Brooks

*Assistant Examiner*—Angela Lee

(74) *Attorney, Agent, or Firm*—Hogan & Hartson LLP

(57) **CLAIM**

The ornamental design for a cantilevered workspace mount for flat panel displays, as shown.

**DESCRIPTION**

FIG. 1 is a top, left isometric view of an embodiment of a cantilevered workspace mount for flat panel displays showing our design in a vertical configuration.

FIG. 2 is a front elevational view thereof.

FIG. 3 is a rear elevational view thereof.

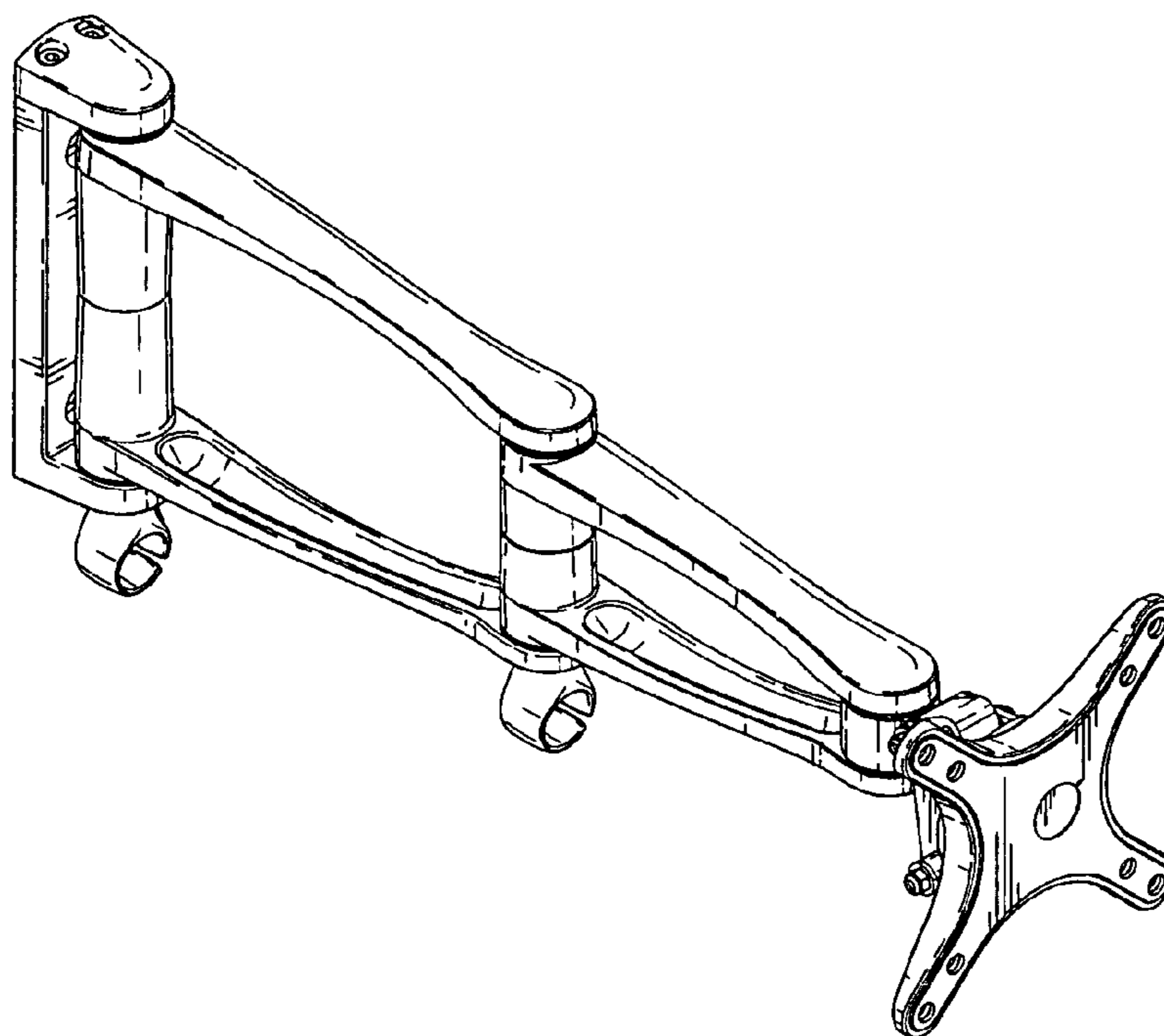
FIG. 4 is a left-side elevational view thereof.

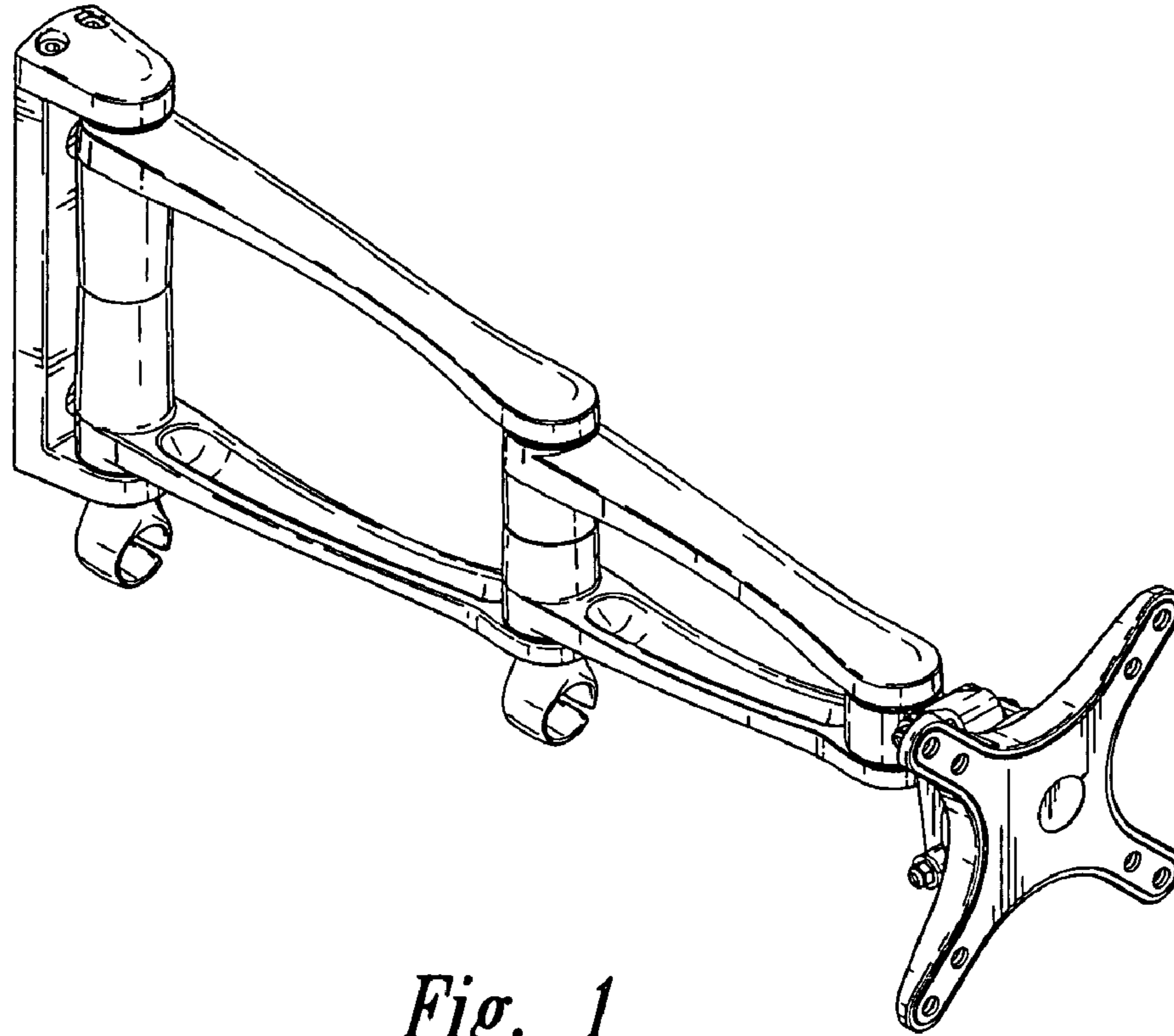
FIG. 5 is a right-side elevational view thereof.

FIG. 6 is a top plan view thereof; and,

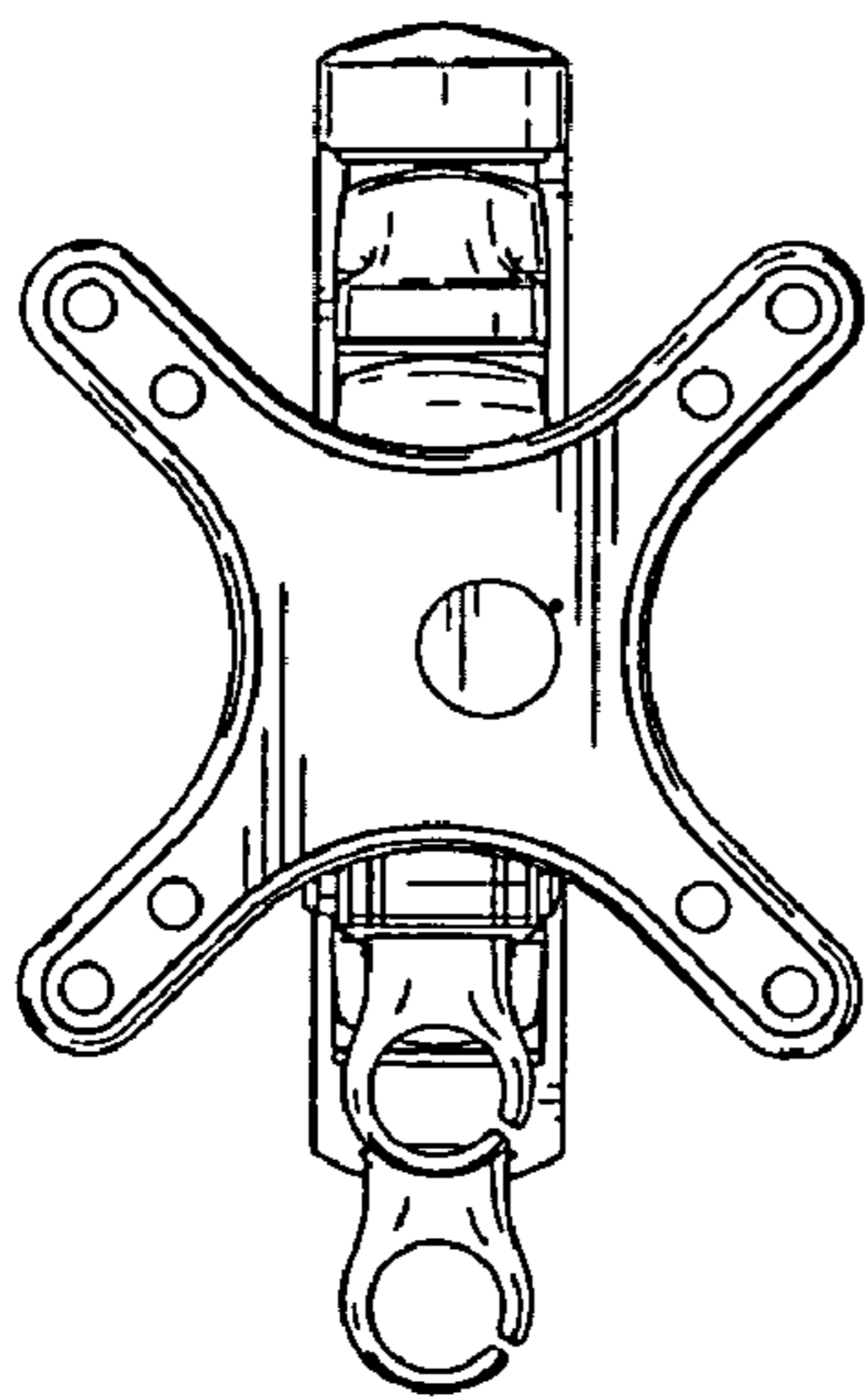
FIG. 7 is bottom plan view thereof.

**1 Claim, 2 Drawing Sheets**

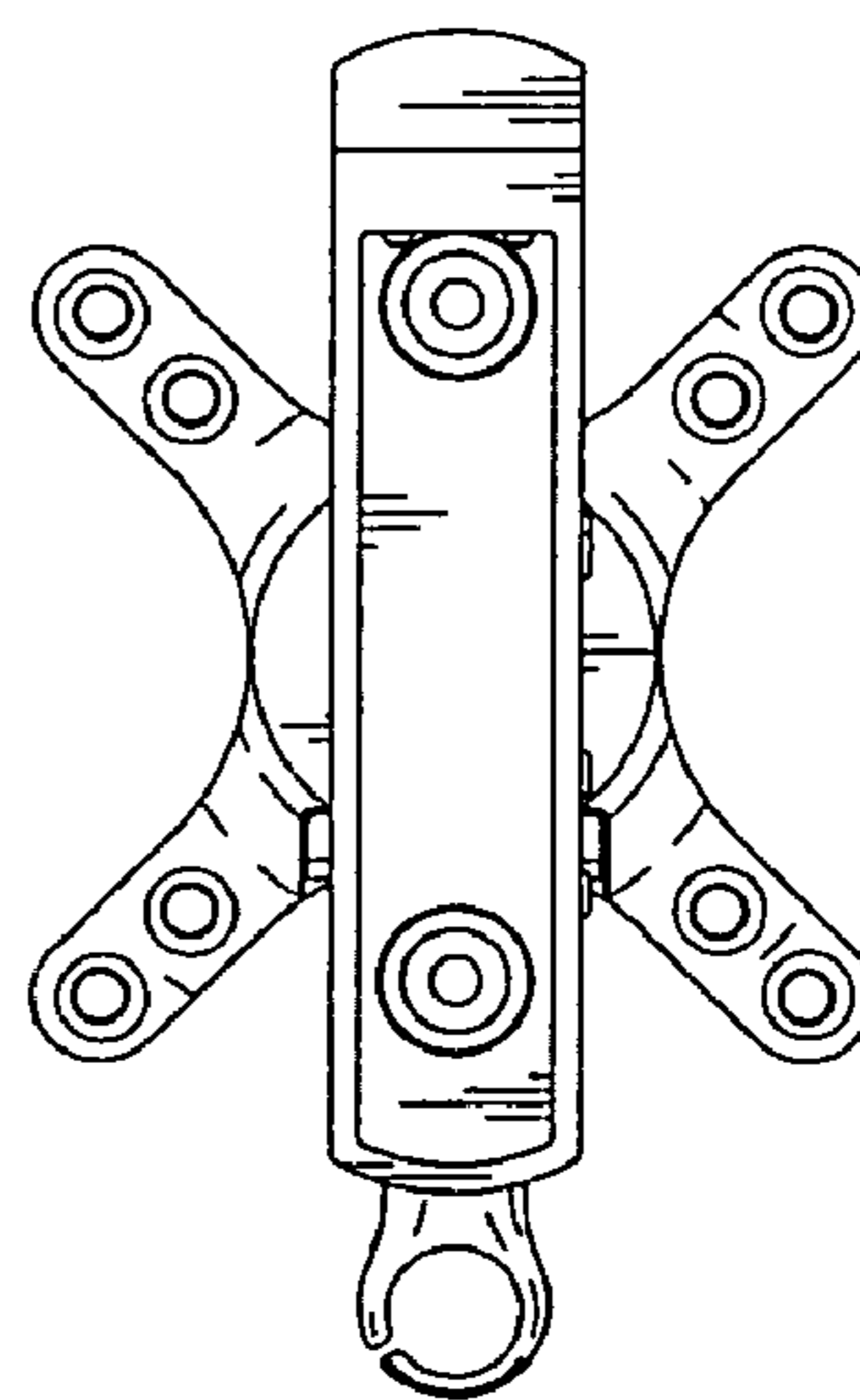




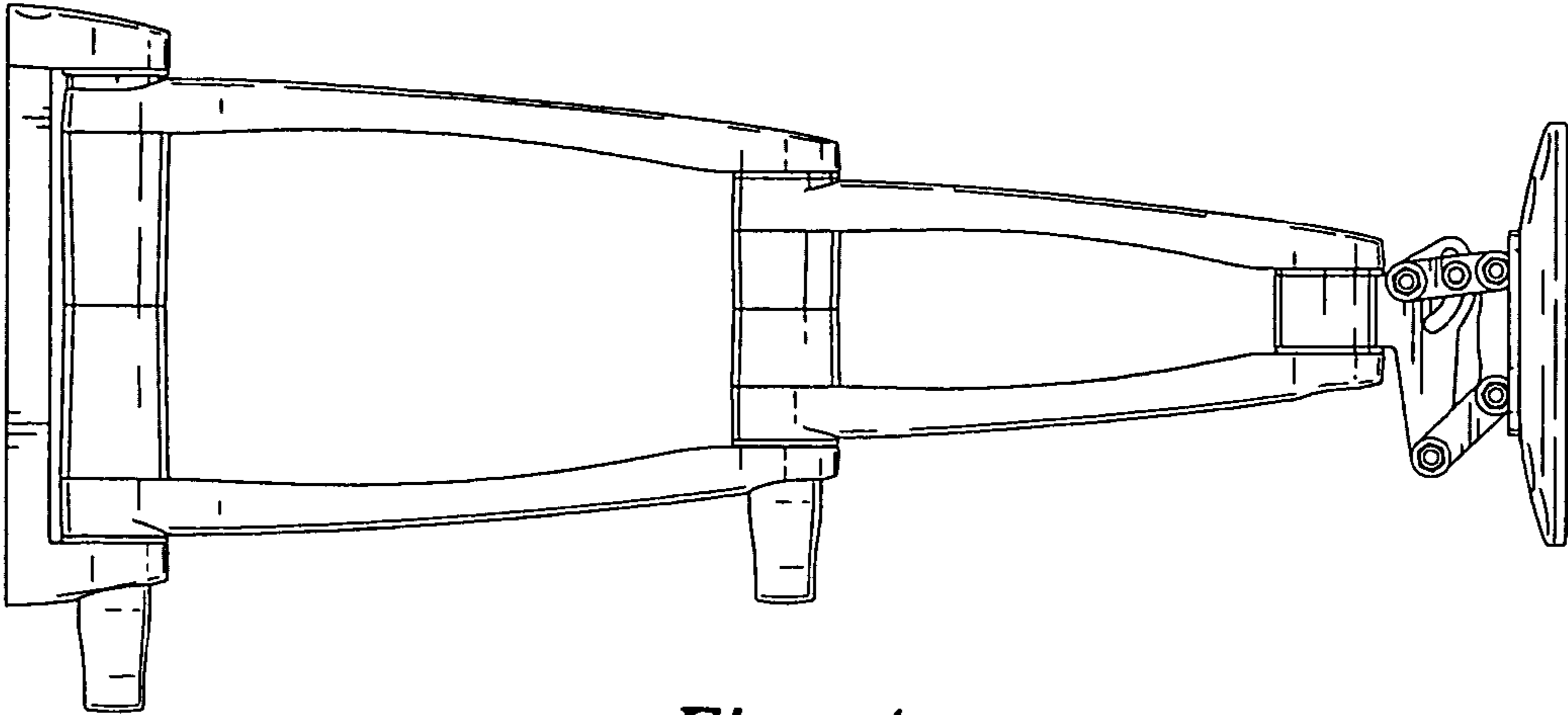
*Fig. 1*



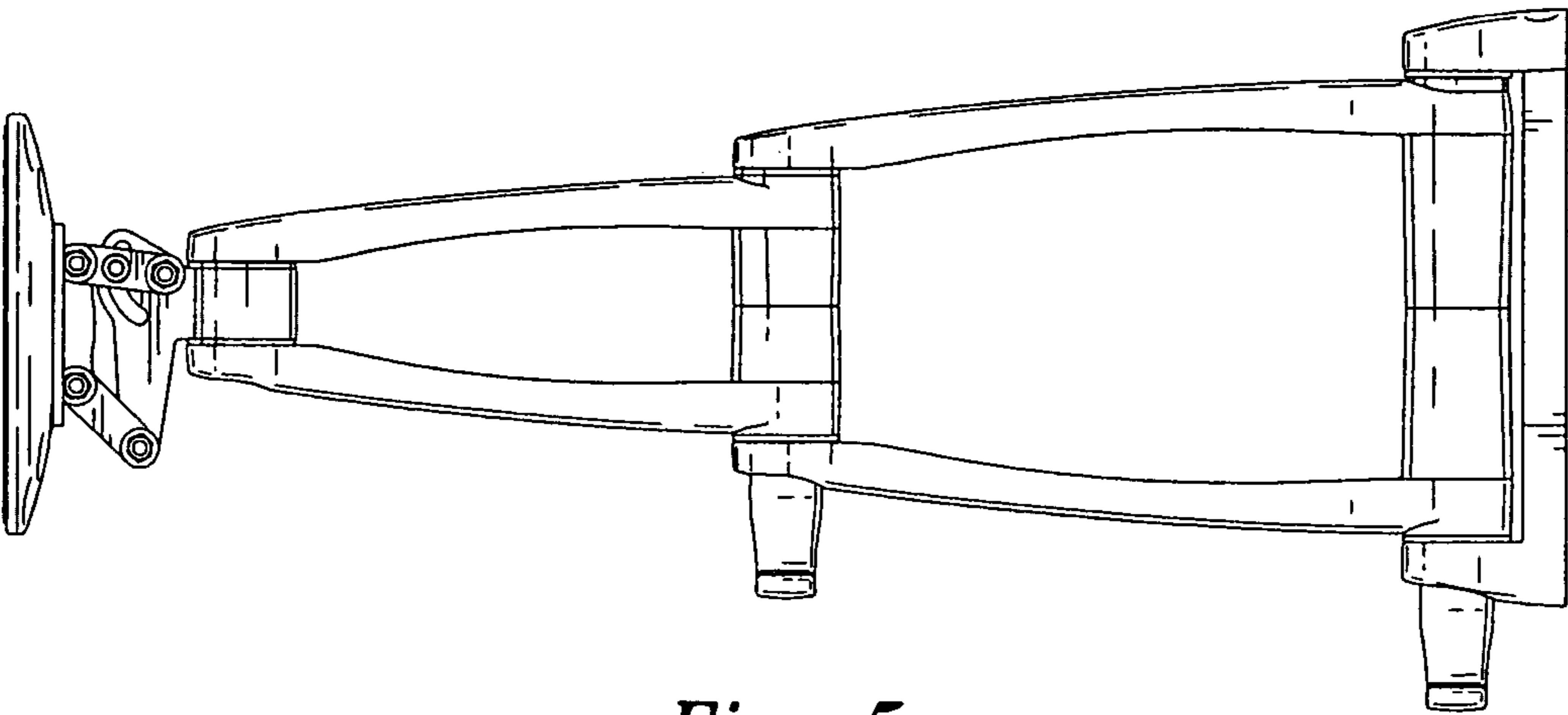
*Fig. 2*



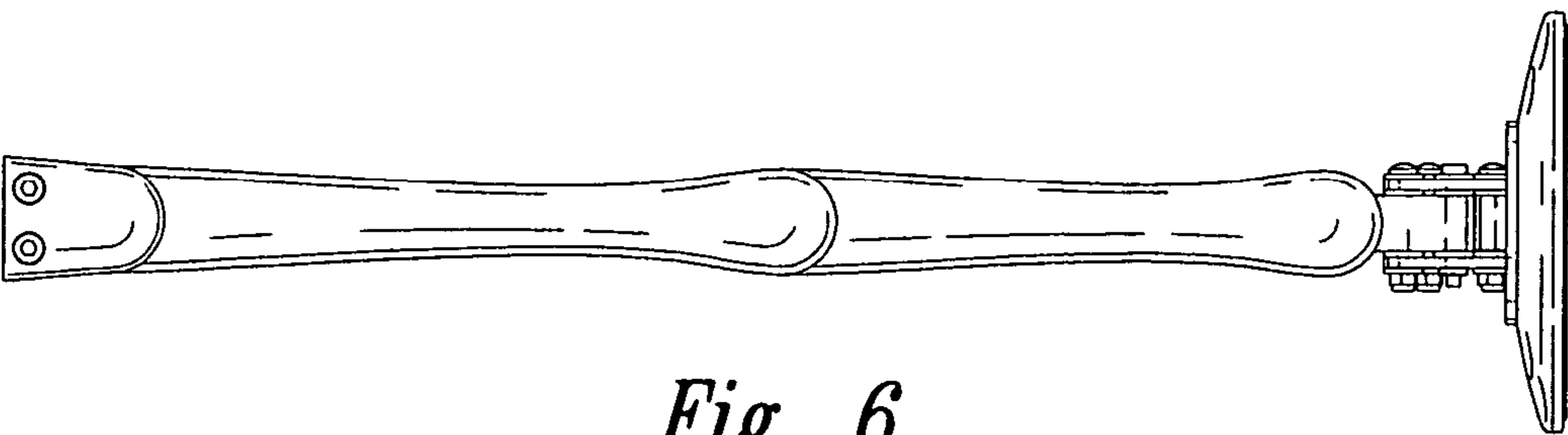
*Fig. 3*



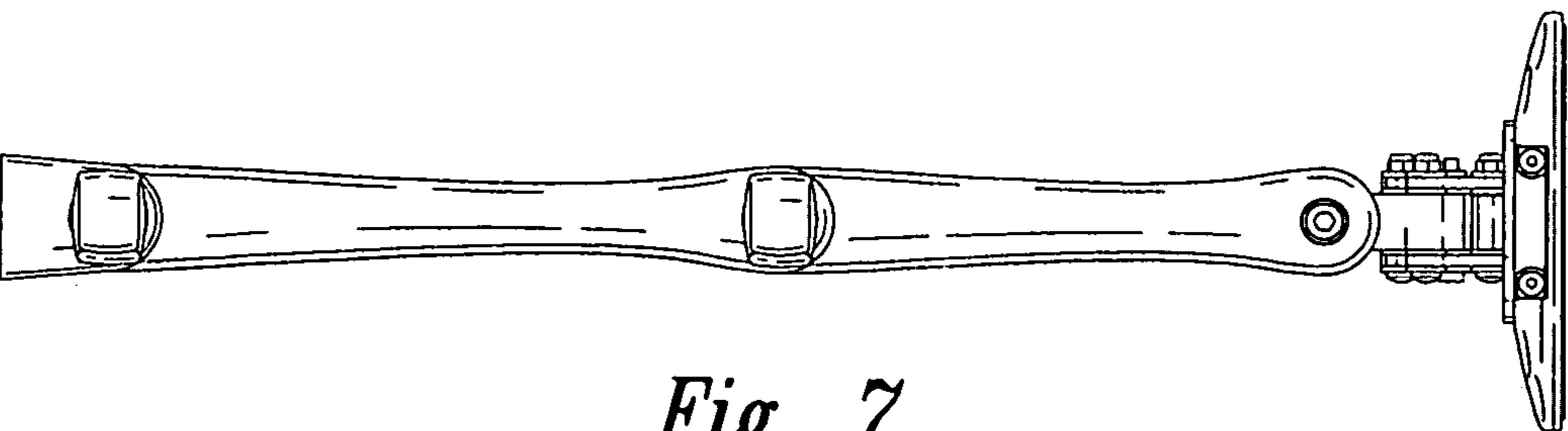
*Fig. 4*



*Fig. 5*



*Fig. 6*



*Fig. 7*