

- [54] **RECEPTACLE FOR STACKING SHEET MATERIAL**
3,171,347 3/1965 Elrod 100/1
- [76] Inventor: **Maurice Goutchat**, 7 Grande Rue,
Thiverval 77850, France
- [**] Term: **14 Years**
- [21] Appl. No.: **4,513**
- [22] Filed: **Jan. 18, 1979**
- [30] **Foreign Application Priority Data**
Oct. 23, 1978 [FR] France 78-276
- [51] Int. Cl. **D19-02**
- [52] U.S. Cl. **D19/92; D6/184;**
D7/72
- [58] **Field of Search** **D19/90, 92; D6/184;**
D7/37, 72; D9/242; 211/50; 100/1, 34
- [56] **References Cited**
U.S. PATENT DOCUMENTS
D. 236,538 8/1975 Adams D9/242

OTHER PUBLICATIONS
Wallace Brown Cat., Fall 1974, rear cover, Item No. 9882.
Primary Examiner—George P. Word
Attorney, Agent, or Firm—William A. Drucker

[57] **CLAIM**
The ornamental design for a receptacle for stacking sheet material, as shown and described.

DESCRIPTION
FIG. 1 is a perspective view of a receptacle for stacking sheet material showing my new design;
FIG. 2 is a rear elevational view;
FIG. 3 is a right side elevational view;
FIG. 4 is a left side elevational view;
FIG. 5 is a bottom plan view; and
FIG. 6 is a top plan view.
The characteristic feature of the design resides in an open top cube having a pair of opposed full depth corner slots rounded at the top and square at the bottom.

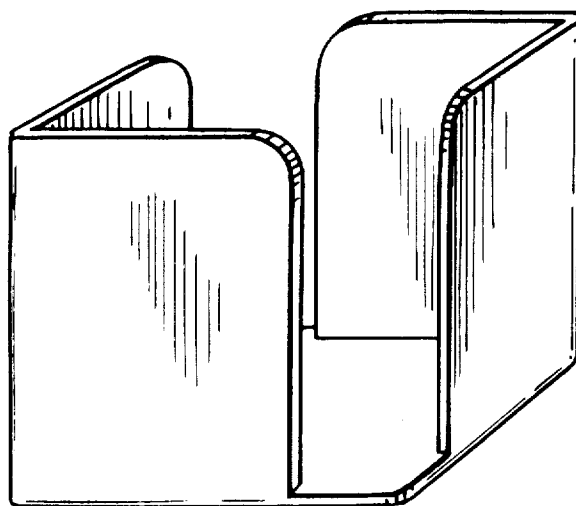


FIG. 1

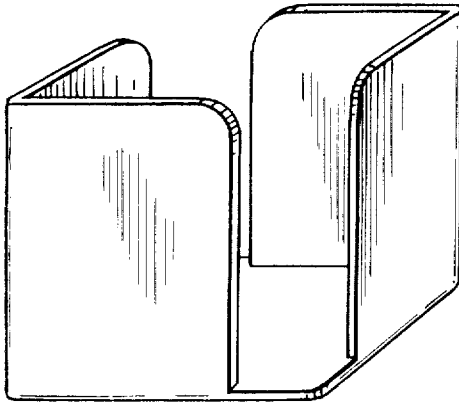


FIG. 2

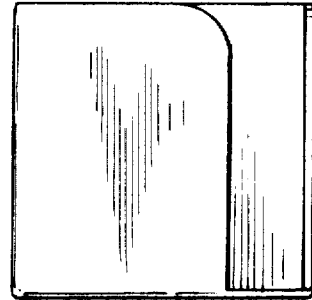


FIG. 3

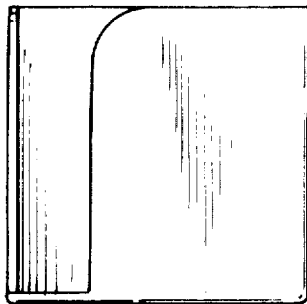


FIG. 4

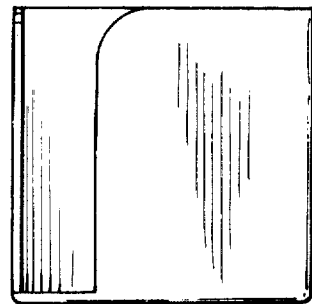


FIG. 5

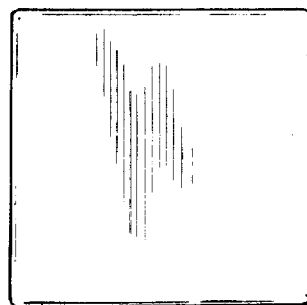


FIG. 6

