



US00D998271S

(12) **United States Design Patent**
Xu et al.

(10) **Patent No.:** **US D998,271 S**
(45) **Date of Patent:** **** Sep. 5, 2023**

(54) **DUST COLLECTING BOX FOR A ROBOTIC VACUUM CLEANER**

(71) Applicant: **Beijing Roborock Technology Co., Ltd., Beijing (CN)**

(72) Inventors: **Hongliang Xu, Beijing (CN); Dahong Gong, Beijing (CN)**

(73) Assignee: **Beijing Roborock Technology Co., Ltd., Beijing (CN)**

(**) Term: **15 Years**

(21) Appl. No.: **35/514,387**

(22) Filed: **Feb. 9, 2022**

(80) **Hague Agreement Data**

Int. Filing Date: **Feb. 9, 2022**
Int. Reg. No.: **DM/220871**
Int. Reg. Date: **Feb. 9, 2022**
Int. Reg. Pub. Date: **May 27, 2022**

(51) **LOC (14) Cl.** **15-05**

(52) **U.S. Cl.** **D32/31**
USPC

(58) **Field of Classification Search**
USPC D32/25, 30, 31
CPC A47L 9/12; A47L 9/122; A47L 9/1683
See application file for complete search history.

(56) **References Cited**

U.S. PATENT DOCUMENTS

D627,967 S * 11/2010 Kuhls D3/273
D672,928 S * 12/2012 Swett D32/30
8,677,661 B2 * 3/2014 Michels B25H 3/02
40/313
10,231,591 B2 * 3/2019 Wennerström A47L 11/4011

10,405,626 B2 * 9/2019 Gonitiner E05B 1/0084
10,561,289 B2 * 2/2020 Hu A47L 9/10
10,820,762 B2 * 11/2020 Paulla A47L 7/0023
D919,913 S * 5/2021 Grebing D32/31
11,134,815 B2 * 10/2021 Liu A47L 5/36
11,206,962 B1 * 12/2021 Tam A47L 9/04
11,375,864 B2 * 7/2022 Bian A47L 9/102
11,529,637 B2 * 12/2022 Grebing B04C 5/185
11,612,295 B2 * 3/2023 Li A47L 11/4097
15/49.1

FOREIGN PATENT DOCUMENTS

CN 306832418 S 9/2021

* cited by examiner

Primary Examiner — Kimberly Barnes

(74) *Attorney, Agent, or Firm* — Morgan, Lewis & Bockius LLP

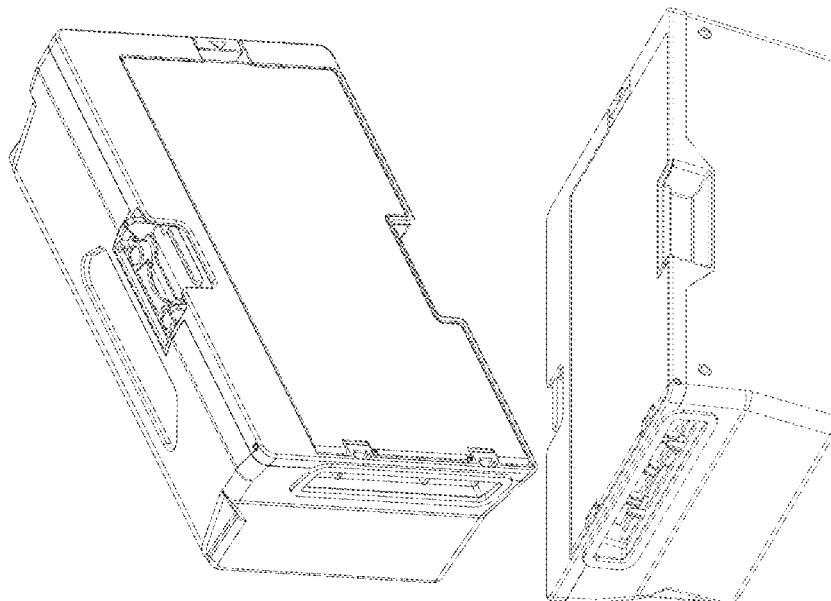
(57) **CLAIM**

The ornamental design for a dust collecting box for a robotic vacuum cleaner, as shown and described.

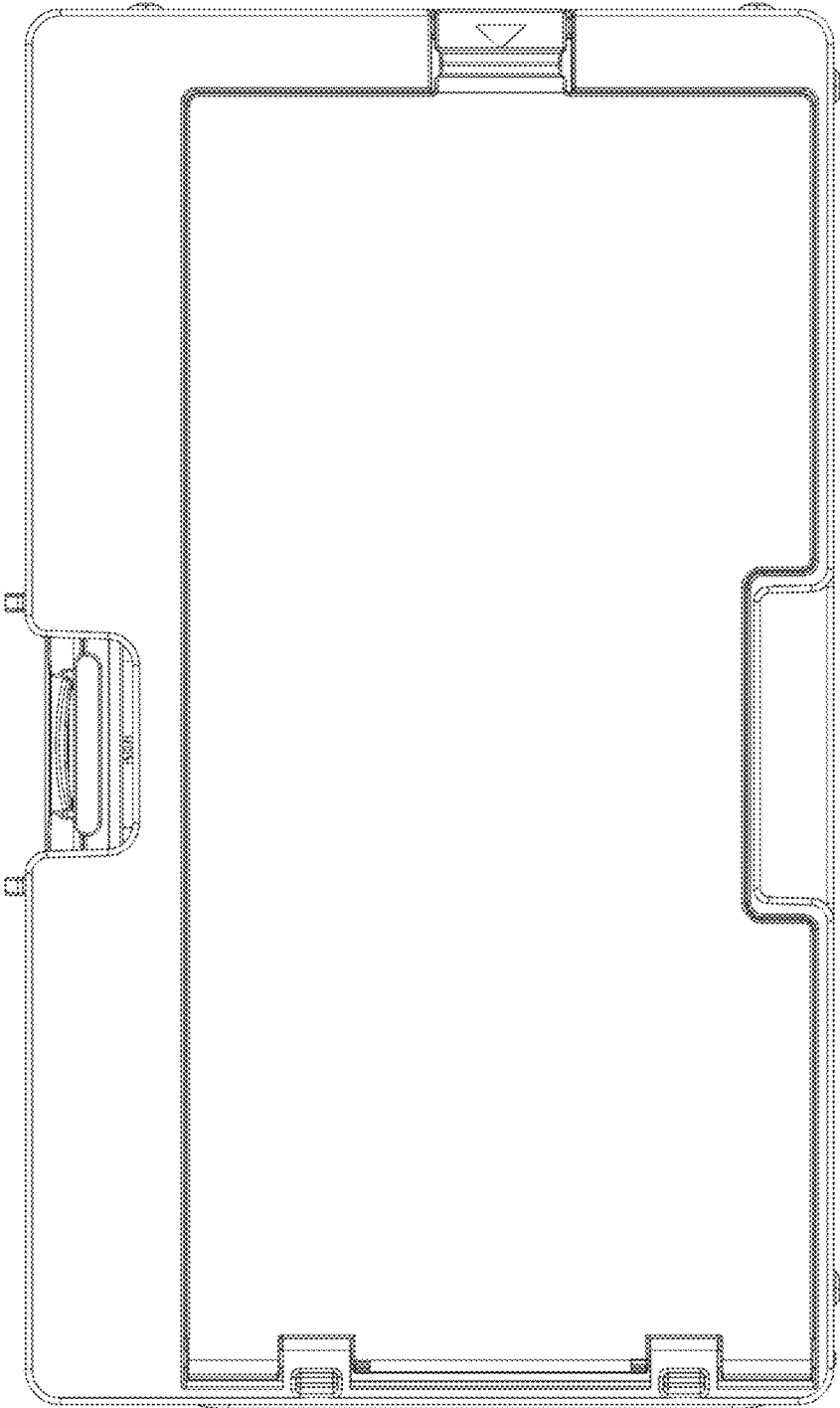
DESCRIPTION

1.1 is a front view showing a dust collecting box for a robotic vacuum cleaner;
1.2 is a back view thereof;
1.3 is a left view thereof;
1.4 is a right view thereof;
1.5 is a top view thereof;
1.6 is a bottom view thereof;
1.7 is a front, left, bottom perspective view thereof;
1.8 is a back, left, bottom perspective view thereof;
1.9 is a back, left, top perspective view thereof; and
1.10 is a front, right, bottom perspective view thereof.

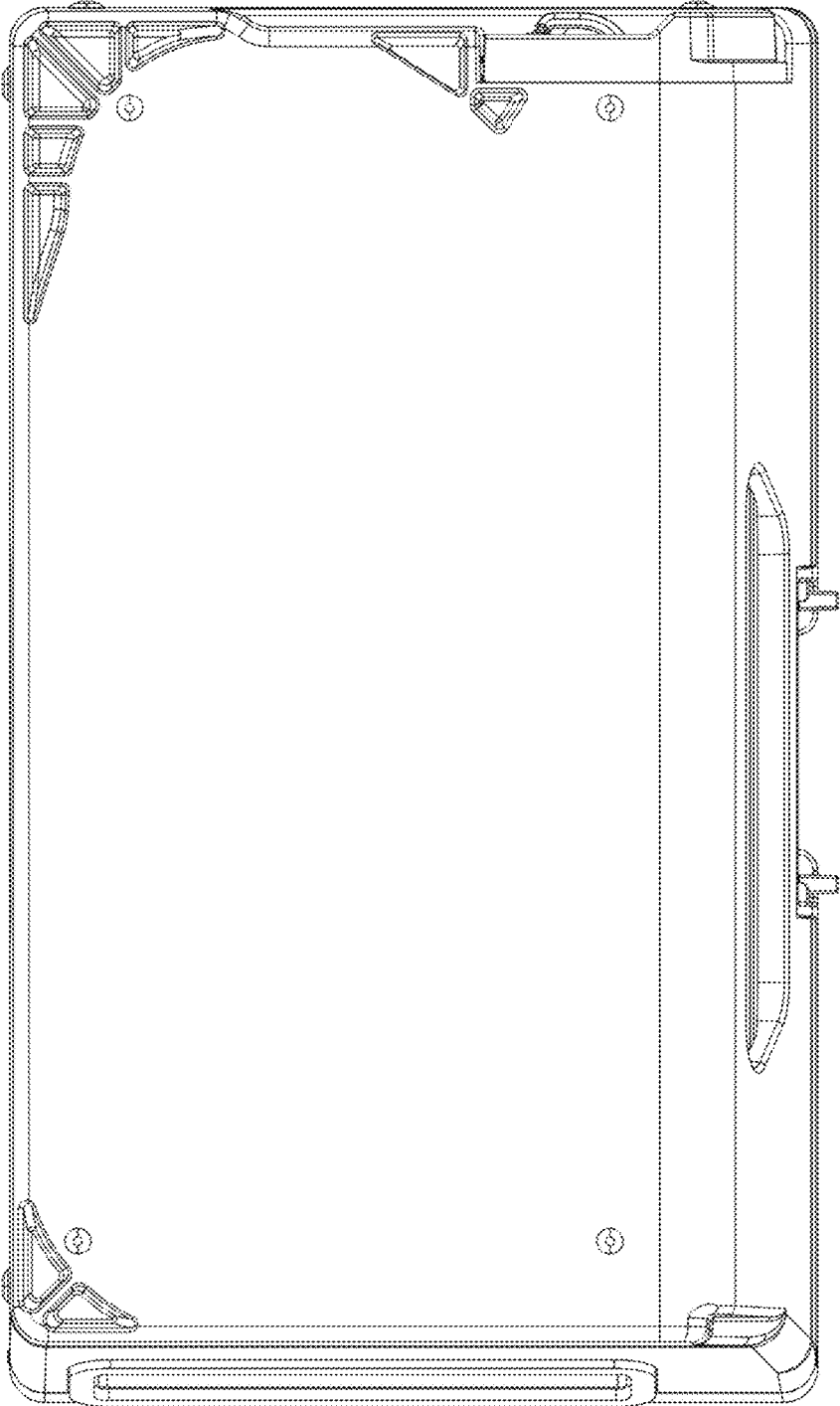
1 Claim, 10 Drawing Sheets



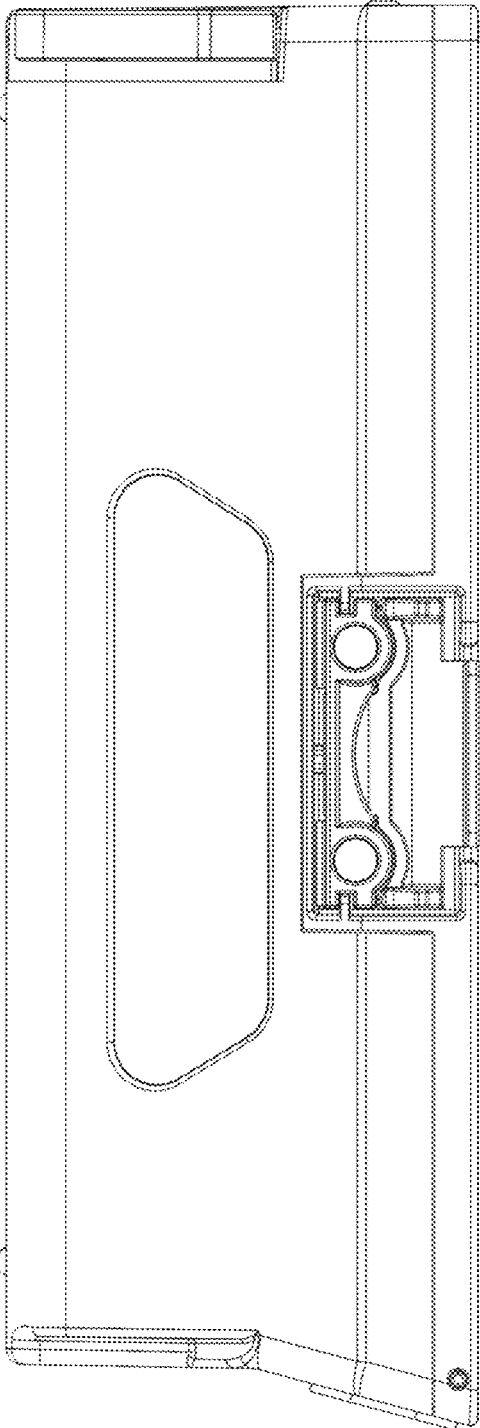
1.1



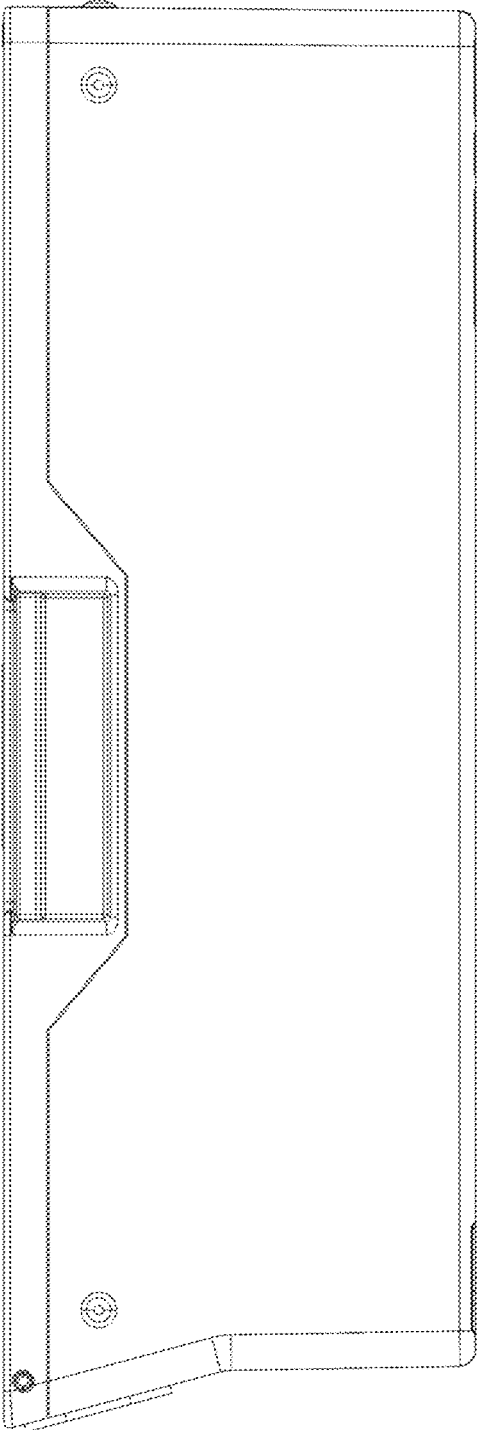
1.2



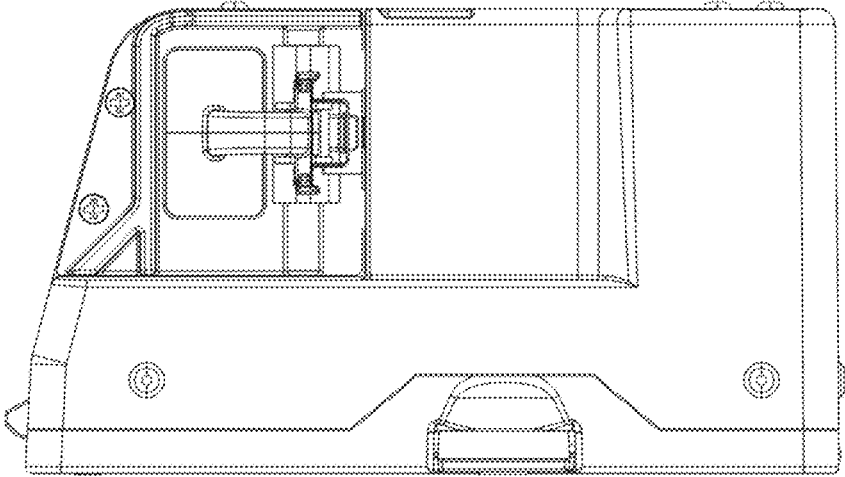
1.3



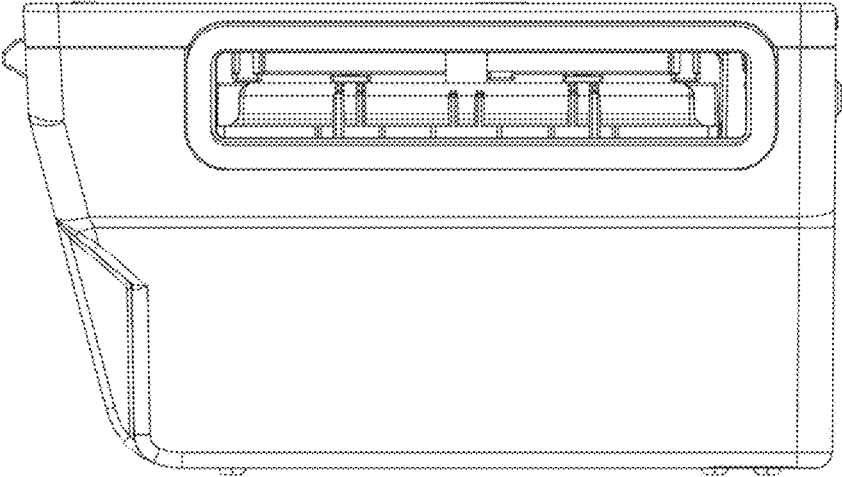
1.4



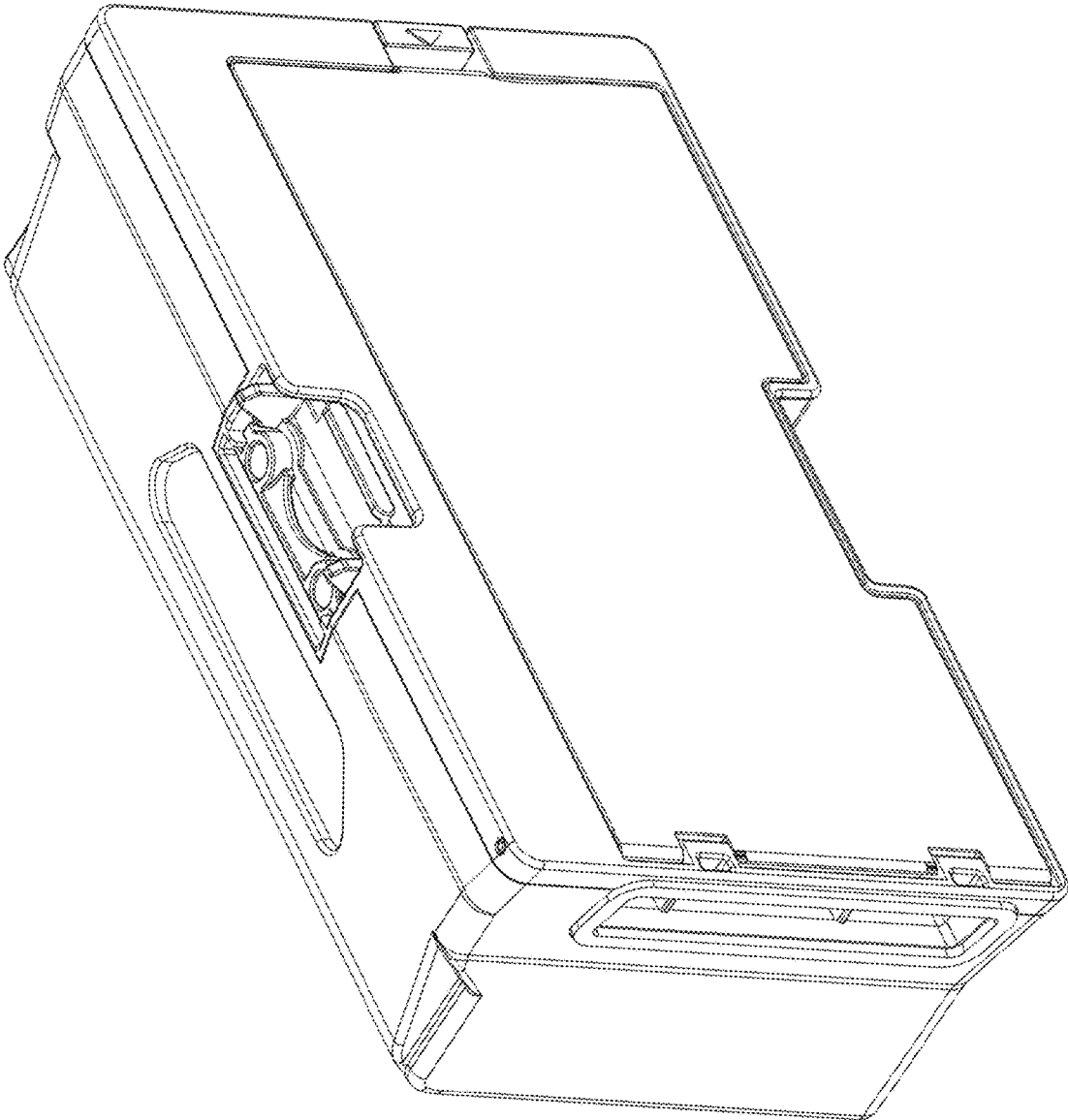
1.5



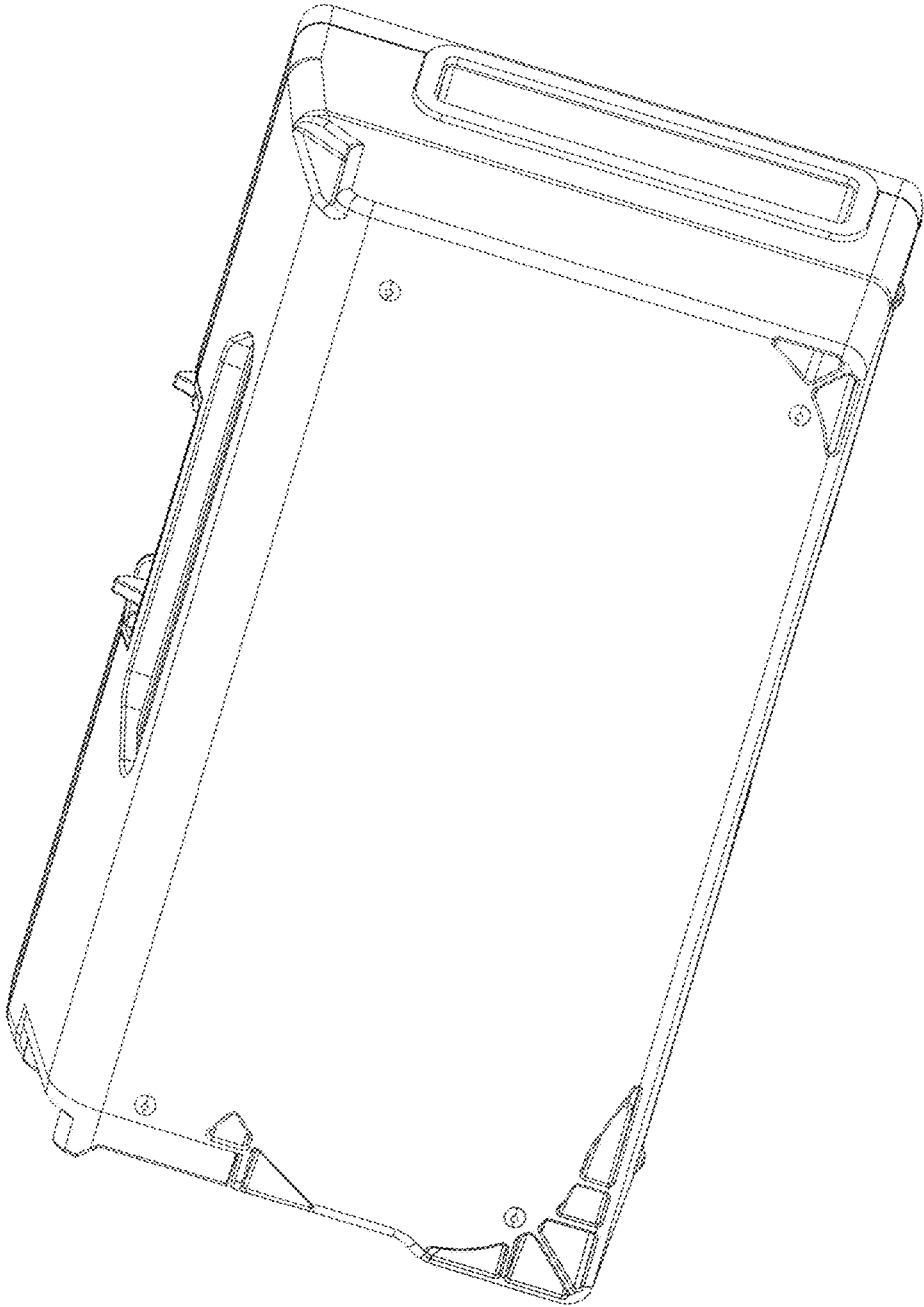
1.6



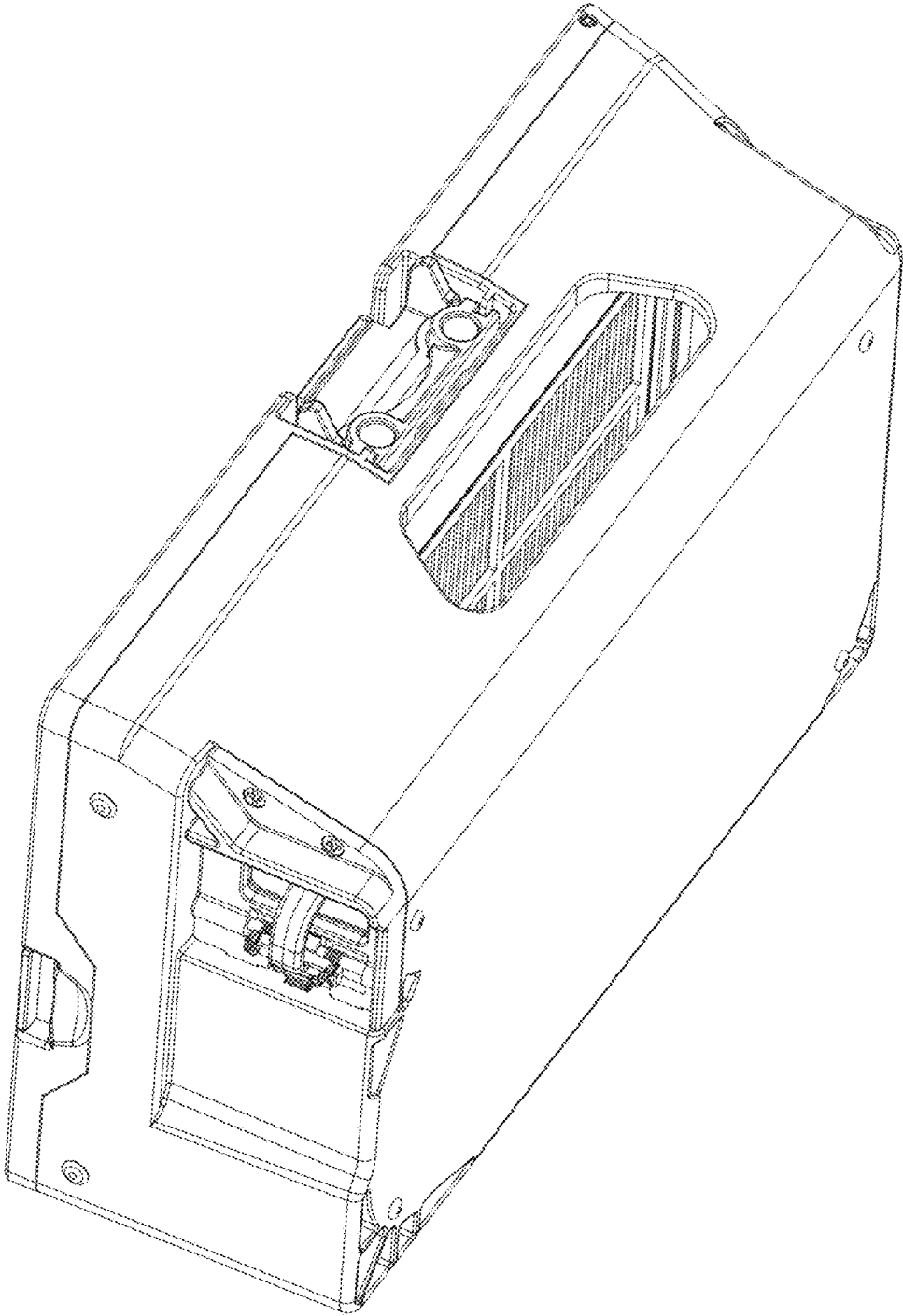
1.7



1.8



1.9



1.10

