

(19) World Intellectual Property Organization
International Bureau



(43) International Publication Date
2 November 2006 (02.11.2006)

PCT

(10) International Publication Number
WO 2006/116718 A3

- (51) International Patent Classification:
A61B 5/07 (2006.01) A61K 9/48 (2006.01)
- (21) International Application Number:
PCT/US2006/016370
- (22) International Filing Date: 28 April 2006 (28.04.2006)
- (25) Filing Language: English
- (26) Publication Language: English
- (30) Priority Data:

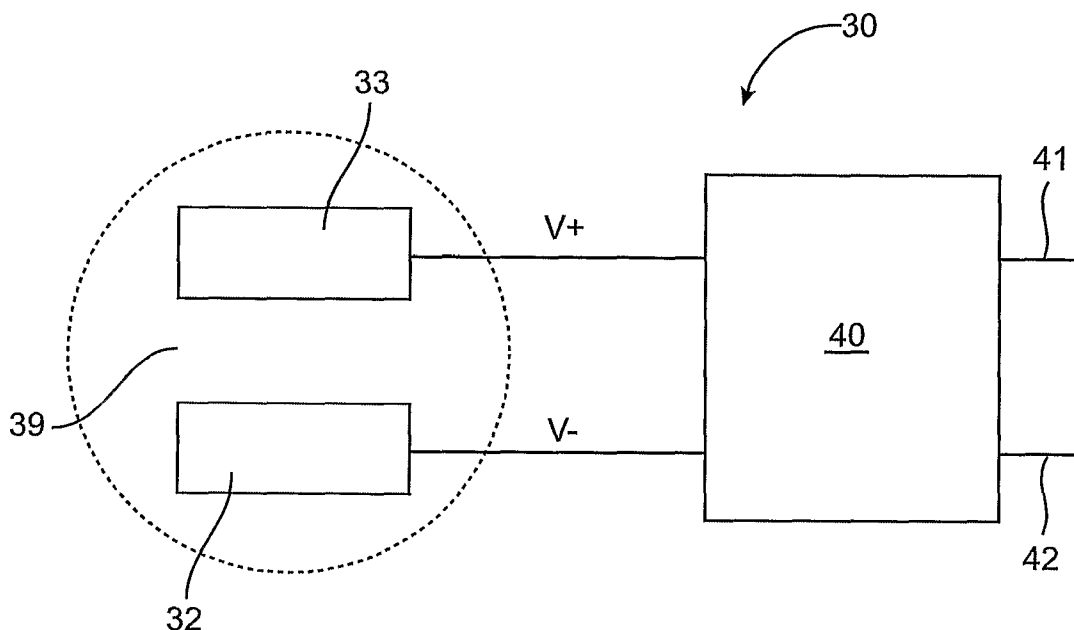
60/676,145	28 April 2005 (28.04.2005)	US
60/694,078	24 June 2005 (24.06.2005)	US
60/713,680	1 September 2005 (01.09.2005)	US
60/790,335	7 April 2006 (07.04.2006)	US
- (71) Applicant (for all designated States except US): **PROTEUS BIOMEDICAL, INC.** [US/US]; 750 Chesapeake Drive, Redwood City, California 94063 (US).
- (72) Inventors; and
- (75) Inventors/Applicants (for US only): **ZDEBLICK, Mark** [US/US]; 300 La Mesa Drive, Portola Valley, California 94028 (US). **THOMPSON, Andrew** [GB/US]; 840 Westridge Drive, Portola Valley, California 94028 (US). **PIKELNY, Aleksandr** [US/US]; 1308 North Poinsettia Pr. #7, Los Angeles, California 90046 (US). **ROBERTSON, Timothy** [US/US]; 2719 Sequoia Way, Belmont, California 94002 (US).

- (74) Agent: **FIELD, Bret, E.**; Bozicevic, Field & Francis LLP, 1900 University Avenue, Suite 200, East Palo Alto, California 94303 (US).
- (81) Designated States (unless otherwise indicated, for every kind of national protection available): AE, AG, AL, AM, AT, AU, AZ, BA, BB, BG, BR, BW, BY, BZ, CA, CH, CN, CO, CR, CU, CZ, DE, DK, DM, DZ, EC, EE, EG, ES, FI, GB, GD, GE, GH, GM, HR, HU, ID, IL, IN, IS, JP, KE, KG, KM, KN, KP, KR, KZ, LC, LK, LR, LS, LT, LU, LV, LY, MA, MD, MG, MK, MN, MW, MX, MZ, NA, NG, NI, NO, NZ, OM, PG, PH, PL, PT, RO, RU, SC, SD, SE, SG, SK, SL, SM, SY, TJ, TM, TN, TR, TT, TZ, UA, UG, US, UZ, VC, VN, YU, ZA, ZM, ZW.
- (84) Designated States (unless otherwise indicated, for every kind of regional protection available): ARIPO (BW, GH, GM, KE, LS, MW, MZ, NA, SD, SL, SZ, TZ, UG, ZM, ZW), Eurasian (AM, AZ, BY, KG, KZ, MD, RU, TJ, TM), European (AT, BE, BG, CH, CY, CZ, DE, DK, EE, ES, FI, FR, GB, GR, HU, IE, IS, IT, LT, LU, LV, MC, NL, PL, PT, RO, SE, SI, SK, TR), OAPI (BF, BJ, CF, CG, CI, CM, GA, GN, GQ, GW, ML, MR, NE, SN, TD, TG).

Published:
— with international search report

[Continued on next page]

(54) Title: PHARMA-INFORMATICS SYSTEM



(57) Abstract: Compositions, systems and methods that allow for the detection of the actual physical delivery of a pharmaceutical agent to a body are provided. Embodiments of the compositions include an identifier and an active agent. The invention finds use in a variety of different applications, including but not limited to, monitoring of therapeutic regimen compliance, tracking the history of pharmaceutical agents, etc.

WO 2006/116718 A3



— *before the expiration of the time limit for amending the claims and to be republished in the event of receipt of amendments*

For two-letter codes and other abbreviations, refer to the "Guidance Notes on Codes and Abbreviations" appearing at the beginning of each regular issue of the PCT Gazette.

(88) Date of publication of the international search report:

17 January 2008

INTERNATIONAL SEARCH REPORT

International application No.
PCT/US06/16370

<p>A. CLASSIFICATION OF SUBJECT MATTER IPC(8) - A61B 5/07; A61K 9/48 (2007.01) USPC - 604/890.1; 600/302 According to International Patent Classification (IPC) or to both national classification and IPC</p>																																			
<p>B. FIELDS SEARCHED Minimum documentation searched (classification system followed by classification symbols) IPC(8) - A61B 5/07; A61K 9/48 (2007.01) USPC - 604/890.1; 600/302</p> <p>Documentation searched other than minimum documentation to the extent that such documents are included in the fields searched</p> <p>Electronic data base consulted during the international search (name of data base and, where practicable, search terms used) USPTO EAST System (US, USPG-PUB, EPO, DERWENT), MicroPatent.</p>																																			
<p>C. DOCUMENTS CONSIDERED TO BE RELEVANT</p> <table border="1"> <thead> <tr> <th>Category*</th> <th>Citation of document, with indication, where appropriate, of the relevant passages</th> <th>Relevant to claim No.</th> </tr> </thead> <tbody> <tr> <td>X -- Y</td> <td>US 5,318,557 A (GROSS) 07 June 1994 (07.06.1994) entire document</td> <td>1, 7, 10-12, 19-22, 27-31 37, 40-41, 75-76, 78-82, 95-98 ----- 8-9, 13-18, 23-26, 32-36, 38-39, 60-66, 69-74, 77</td> </tr> <tr> <td>Y</td> <td>US 2003/0213495 A1 (FUJITA et al) 20 November 2003 (20.11.2003) entire document</td> <td>8-9, 66, 70</td> </tr> <tr> <td>Y</td> <td>US 2003/0214579 A1 (IDDAN) 20 November 2003 (20.11.2003) entire document</td> <td>23, 33-36, 39</td> </tr> <tr> <td>Y</td> <td>US 2005/0043634 A1 (YOKOI et al) 24 February 2005 (24.02.2005) entire document</td> <td>13, 24, 32</td> </tr> <tr> <td>Y</td> <td>US 2003/0023150 A1 (YOKOI et al) 30 January 2003 (30.01.2003) entire document</td> <td>14-18, 25-26</td> </tr> <tr> <td>Y</td> <td>US 2004/0008123 A1 (CARRENDER et al) 15 January 2004 (15.01.2004) entire document</td> <td>18</td> </tr> <tr> <td>Y</td> <td>US 5,925,030 A (GROSS et al) 20 July 1999 (20.07.1999) entire document</td> <td>60-66, 73</td> </tr> <tr> <td>Y</td> <td>US 5,792,048 A (SCHAEFER) 11 August 1998 (11.08.1998) entire document</td> <td>38, 77</td> </tr> <tr> <td>Y</td> <td>US 2003/0181788 A1 (YOKOI et al) 25 September 2003 (25.09.2003) entire document</td> <td>69-74</td> </tr> <tr> <td>A</td> <td>US 4,793,825 A (BENJAMIN et al) 27 December 1988 (27.12.1988) entire document</td> <td>1, 7-41, 60-66, 69-82, 95-98</td> </tr> </tbody> </table>			Category*	Citation of document, with indication, where appropriate, of the relevant passages	Relevant to claim No.	X -- Y	US 5,318,557 A (GROSS) 07 June 1994 (07.06.1994) entire document	1, 7, 10-12, 19-22, 27-31 37, 40-41, 75-76, 78-82, 95-98 ----- 8-9, 13-18, 23-26, 32-36, 38-39, 60-66, 69-74, 77	Y	US 2003/0213495 A1 (FUJITA et al) 20 November 2003 (20.11.2003) entire document	8-9, 66, 70	Y	US 2003/0214579 A1 (IDDAN) 20 November 2003 (20.11.2003) entire document	23, 33-36, 39	Y	US 2005/0043634 A1 (YOKOI et al) 24 February 2005 (24.02.2005) entire document	13, 24, 32	Y	US 2003/0023150 A1 (YOKOI et al) 30 January 2003 (30.01.2003) entire document	14-18, 25-26	Y	US 2004/0008123 A1 (CARRENDER et al) 15 January 2004 (15.01.2004) entire document	18	Y	US 5,925,030 A (GROSS et al) 20 July 1999 (20.07.1999) entire document	60-66, 73	Y	US 5,792,048 A (SCHAEFER) 11 August 1998 (11.08.1998) entire document	38, 77	Y	US 2003/0181788 A1 (YOKOI et al) 25 September 2003 (25.09.2003) entire document	69-74	A	US 4,793,825 A (BENJAMIN et al) 27 December 1988 (27.12.1988) entire document	1, 7-41, 60-66, 69-82, 95-98
Category*	Citation of document, with indication, where appropriate, of the relevant passages	Relevant to claim No.																																	
X -- Y	US 5,318,557 A (GROSS) 07 June 1994 (07.06.1994) entire document	1, 7, 10-12, 19-22, 27-31 37, 40-41, 75-76, 78-82, 95-98 ----- 8-9, 13-18, 23-26, 32-36, 38-39, 60-66, 69-74, 77																																	
Y	US 2003/0213495 A1 (FUJITA et al) 20 November 2003 (20.11.2003) entire document	8-9, 66, 70																																	
Y	US 2003/0214579 A1 (IDDAN) 20 November 2003 (20.11.2003) entire document	23, 33-36, 39																																	
Y	US 2005/0043634 A1 (YOKOI et al) 24 February 2005 (24.02.2005) entire document	13, 24, 32																																	
Y	US 2003/0023150 A1 (YOKOI et al) 30 January 2003 (30.01.2003) entire document	14-18, 25-26																																	
Y	US 2004/0008123 A1 (CARRENDER et al) 15 January 2004 (15.01.2004) entire document	18																																	
Y	US 5,925,030 A (GROSS et al) 20 July 1999 (20.07.1999) entire document	60-66, 73																																	
Y	US 5,792,048 A (SCHAEFER) 11 August 1998 (11.08.1998) entire document	38, 77																																	
Y	US 2003/0181788 A1 (YOKOI et al) 25 September 2003 (25.09.2003) entire document	69-74																																	
A	US 4,793,825 A (BENJAMIN et al) 27 December 1988 (27.12.1988) entire document	1, 7-41, 60-66, 69-82, 95-98																																	
<p><input type="checkbox"/> Further documents are listed in the continuation of Box C. <input type="checkbox"/></p>																																			
<p>* Special categories of cited documents:</p> <table border="0"> <tr> <td>"A" document defining the general state of the art which is not considered to be of particular relevance</td> <td>"T" later document published after the international filing date or priority date and not in conflict with the application but cited to understand the principle or theory underlying the invention</td> </tr> <tr> <td>"E" earlier application or patent but published on or after the international filing date</td> <td>"X" document of particular relevance; the claimed invention cannot be considered novel or cannot be considered to involve an inventive step when the document is taken alone</td> </tr> <tr> <td>"L" document which may throw doubts on priority claim(s) or which is cited to establish the publication date of another citation or other special reason (as specified)</td> <td>"Y" document of particular relevance; the claimed invention cannot be considered to involve an inventive step when the document is combined with one or more other such documents, such combination being obvious to a person skilled in the art</td> </tr> <tr> <td>"O" document referring to an oral disclosure, use, exhibition or other means</td> <td>"&" document member of the same patent family</td> </tr> <tr> <td>"P" document published prior to the international filing date but later than the priority date claimed</td> <td></td> </tr> </table>			"A" document defining the general state of the art which is not considered to be of particular relevance	"T" later document published after the international filing date or priority date and not in conflict with the application but cited to understand the principle or theory underlying the invention	"E" earlier application or patent but published on or after the international filing date	"X" document of particular relevance; the claimed invention cannot be considered novel or cannot be considered to involve an inventive step when the document is taken alone	"L" document which may throw doubts on priority claim(s) or which is cited to establish the publication date of another citation or other special reason (as specified)	"Y" document of particular relevance; the claimed invention cannot be considered to involve an inventive step when the document is combined with one or more other such documents, such combination being obvious to a person skilled in the art	"O" document referring to an oral disclosure, use, exhibition or other means	"&" document member of the same patent family	"P" document published prior to the international filing date but later than the priority date claimed																								
"A" document defining the general state of the art which is not considered to be of particular relevance	"T" later document published after the international filing date or priority date and not in conflict with the application but cited to understand the principle or theory underlying the invention																																		
"E" earlier application or patent but published on or after the international filing date	"X" document of particular relevance; the claimed invention cannot be considered novel or cannot be considered to involve an inventive step when the document is taken alone																																		
"L" document which may throw doubts on priority claim(s) or which is cited to establish the publication date of another citation or other special reason (as specified)	"Y" document of particular relevance; the claimed invention cannot be considered to involve an inventive step when the document is combined with one or more other such documents, such combination being obvious to a person skilled in the art																																		
"O" document referring to an oral disclosure, use, exhibition or other means	"&" document member of the same patent family																																		
"P" document published prior to the international filing date but later than the priority date claimed																																			
<p>Date of the actual completion of the international search 16 October 2007</p>		<p>Date of mailing of the international search report 14 NOV 2007</p>																																	
<p>Name and mailing address of the ISA/US Mail Stop PCT, Attn: ISA/US, Commissioner for Patents P.O. Box 1450, Alexandria, Virginia 22313-1450 Facsimile No. 571-273-3201</p>		<p>Authorized officer: Blaine R. Copenheaver</p> <p>PCT Helpdesk: 571-272-4300 PCT OSP: 571-272-7774</p>																																	

INTERNATIONAL SEARCH REPORT
Information on patent family members

International application No.

PCT/US06/16370

Continued from Box III

Group VII, claims 42, drawn to a system comprising a composition comprising a pharmaceutically acceptable carrier; an identifier that emits a signal that is confined to the body; a receiver in contact with the body for detecting a signal produced by said identifier.
Group VIII, claims 83-94, drawn to a battery smaller than 10 mm³ comprising two materials with dissimilar electrochemical activities that is activated upon contact with a physiological fluid.