



US00D737876S

(12) **United States Design Patent**  
**von Wly et al.**

(10) **Patent No.:** **US D737,876 S**

(45) **Date of Patent:** **\*\* \*Sep. 1, 2015**

(54) **WELDING MACHINE FOR PLASTIC SHEETS**

(71) Applicant: **Leister Technologies AG**, Kagiswill (CH)

(72) Inventors: **Bruno von Wly**, Kagiswill (CH); **Lukas Gisler**, Alpnach Dorf (CH)

(73) Assignee: **Leister Technologies AG**, Kagiswil (CH)

(\* ) Notice: This patent is subject to a terminal disclaimer.

(\*\*) Term: **14 Years**

(21) Appl. No.: **29/490,528**

(22) Filed: **May 10, 2014**

(51) **LOC (10) Cl.** ..... **15-09**

(52) **U.S. Cl.**  
USPC ..... **D15/144**

(58) **Field of Classification Search**

USPC ..... D8/29.1, 30; D15/144, 144.1, 144.2; 219/125.1, 130, 130.5, 132, 133, 241, 219/424, 606; 222/146.5, 152, 156, 189.06, 222/397; 228/8, 20, 51, 111.5  
See application file for complete search history.

(56) **References Cited**

**U.S. PATENT DOCUMENTS**

D243,459 S *	2/1977	Bliss	.....	D15/144
D275,293 S *	8/1984	Bouman	.....	D15/144
D357,263 S *	4/1995	Soderholm	.....	D15/144.2
D357,927 S *	5/1995	Soderholm	.....	D15/144.1
D416,030 S *	11/1999	Weller et al.	.....	D15/144.1
D434,428 S *	11/2000	KriECK	.....	D15/144.2
D445,812 S *	7/2001	Shimizu et al.	.....	D15/144

6,870,131 B2 *	3/2005	Achtner et al.	.....	219/130.1
7,241,973 B1 *	7/2007	Di Novo et al.	.....	219/137.9
D556,798 S *	12/2007	Franco	.....	D15/144
D558,803 S *	1/2008	Gisler et al.	.....	D15/144
D569,883 S *	5/2008	Wang	.....	D15/144
D569,884 S *	5/2008	Shu	.....	D15/144
D606,102 S *	12/2009	Bender et al.	.....	D15/144
D621,430 S *	8/2010	Christen et al.	.....	D15/144
D652,436 S *	1/2012	Ostlund et al.	.....	D15/144
D665,833 S *	8/2012	Raymond et al.	.....	D15/144
D679,738 S *	4/2013	Segala	.....	D15/144
8,431,863 B2 *	4/2013	Kindig	.....	219/130.1
D709,934 S *	7/2014	Ross et al.	.....	D15/144.2
8,794,290 B2 *	8/2014	Hamlin, III	.....	156/499

\* cited by examiner

*Primary Examiner* — Patricia Palasik

(74) *Attorney, Agent, or Firm* — Cascio & Zervas

(57) **CLAIM**

The ornamental design for a welding machine for plastic sheets, as shown and described.

**DESCRIPTION**

The file of this patent application contains at least one drawings/photograph executed in color. Copies of this patent with color drawing(s)/photograph(s) will be provided by the Patent and Trademark Office upon request and payment of the necessary fee.

FIG. 1 is a front perspective view of a welding machine for plastic sheets showing our design;

FIG. 2 is a left side elevational view thereof;

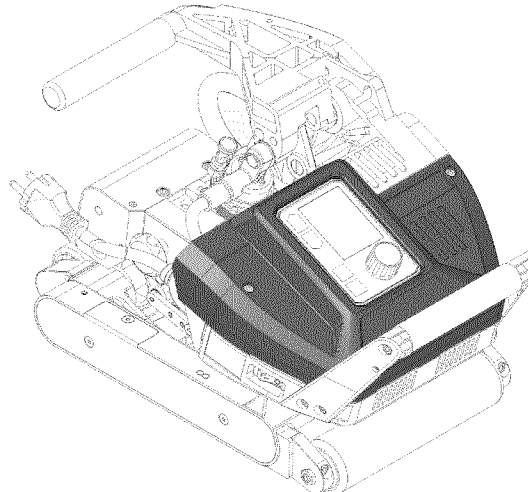
FIG. 3 is a right side elevational view thereof;

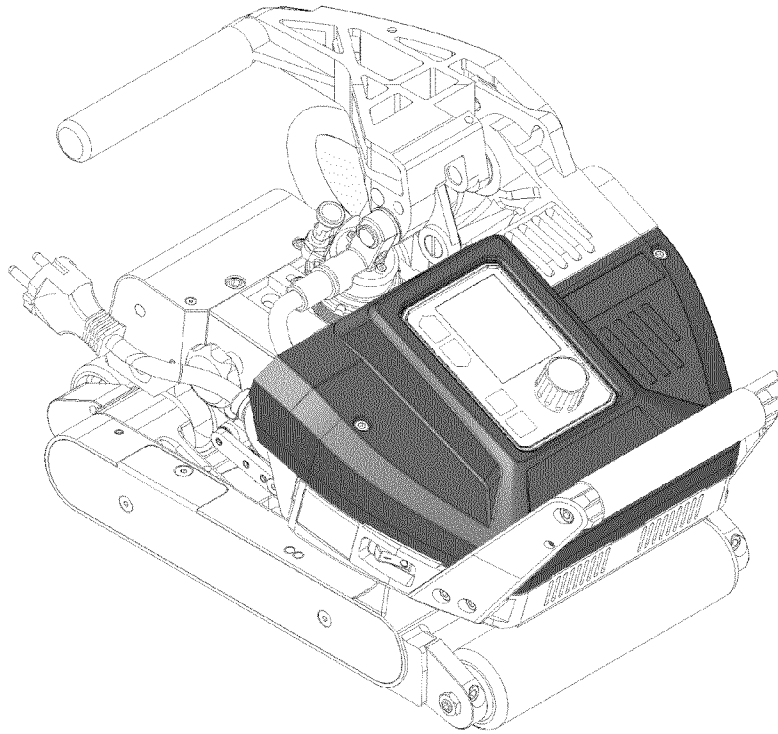
FIG. 4 is a front elevational view thereof;

FIG. 5 is a rear elevational view thereof; and,

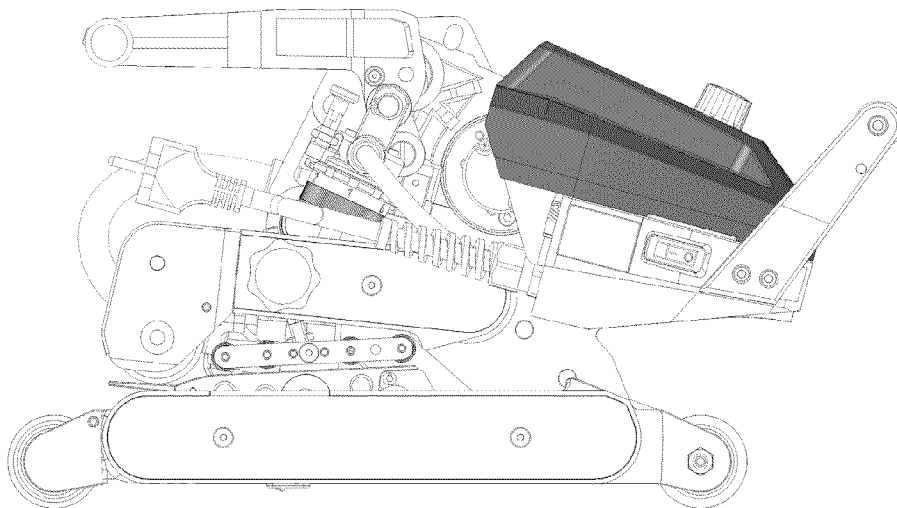
FIG. 6 is a top plan view thereof.

**1 Claim, 3 Drawing Sheets**  
**(3 of 3 Drawing Sheet(s) Filed in Color)**

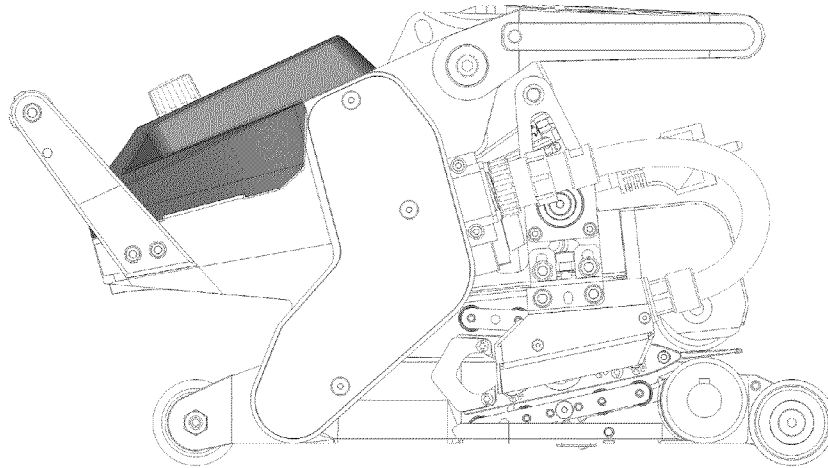




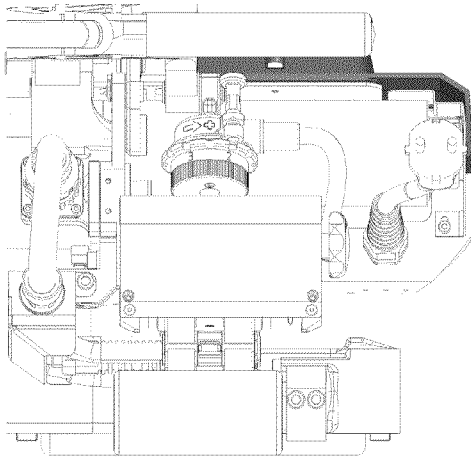
**FIG. 1**



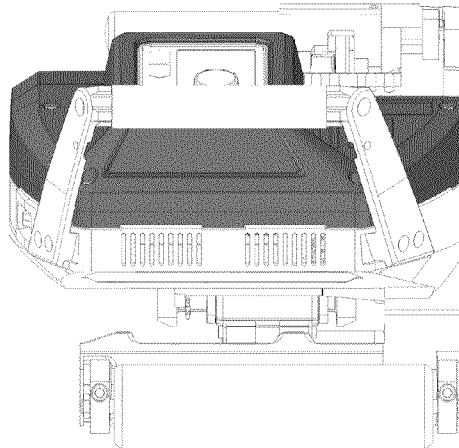
**FIG. 2**



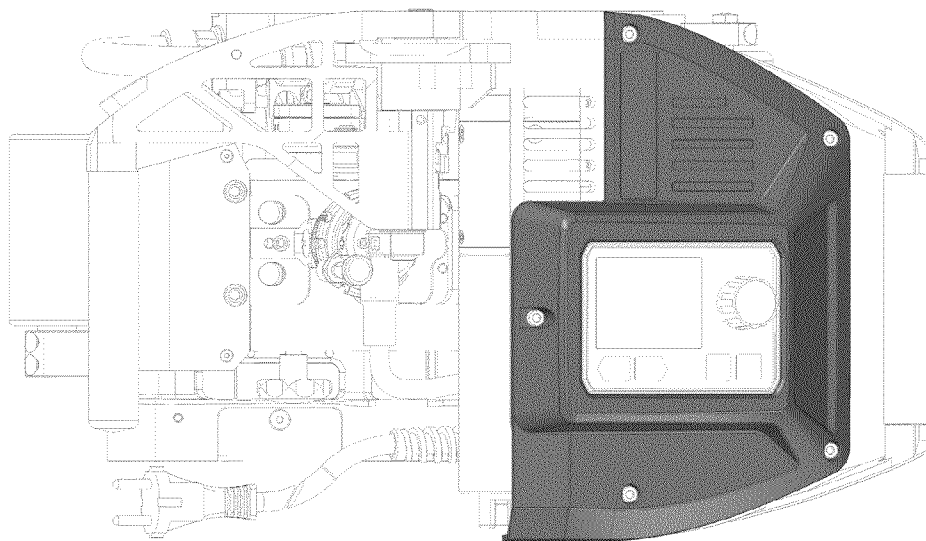
**FIG. 3**



**FIG. 4**



**FIG. 5**



**FIG. 6**