



US00D704487S

(12) **United States Design Patent**
Smith et al.

(10) **Patent No.:** **US D704,487 S**

(45) **Date of Patent:** **** May 13, 2014**

(54) **CHAIR**

(71) Applicant: **Steelcase Inc.**, Grand Rapids, MI (US)

(72) Inventors: **Bruce M. Smith**, East Grand Rapids, MI (US); **Glen Oliver Löw**, Hamburg (DE); **James N. Ludwig**, East Grand Rapids, MI (US); **Christopher Norman**, Byron Center, MI (US); **Nickolaus William Charles Deevers**, Holland, MI (US)

(73) Assignee: **Steelcase Inc.**, Grand Rapids, MI (US)

(**) Term: **14 Years**

(21) Appl. No.: **29/457,261**

(22) Filed: **Jun. 7, 2013**

(51) **LOC (10) Cl.** **06-01**

(52) **U.S. Cl.**

USPC **D6/716**; D6/366

(58) **Field of Classification Search**

USPC D6/334–336, 364, 365, 366, 367, 374, D6/376, 379, 380, 716, 716.1, 716.2, D6/716.3, 716.4; 297/284.4, 300.1, 300.2, 297/411.27, 452.21, 452.29, 452.3, 452.32, 297/452.34, 452.48, 452.63

See application file for complete search history.

(56) **References Cited**

U.S. PATENT DOCUMENTS

398,179 A	2/1889	Parry et al.
2,156,664 A	5/1939	Little, Jr.
2,731,076 A	1/1956	Rowland
2,803,293 A	8/1957	Rowland
D180,975 S	9/1957	Umanoff
D199,671 S	12/1964	Mulhauser, Jr.
3,744,846 A	7/1973	Platt et al.
D228,483 S	10/1973	Sebel et al.
D233,715 S	11/1974	Fantoni

D240,375 S	7/1976	Buhk
D258,480 S	3/1981	Rowland
D258,924 S	4/1981	Deschamps et al.
D259,688 S	6/1981	Ambasz
D260,056 S	8/1981	Sapper
D262,168 S	12/1981	Lustig
4,309,058 A	1/1982	Barley
4,318,556 A	3/1982	Rowland

(Continued)

FOREIGN PATENT DOCUMENTS

DE	4126520	2/1993
DE	29811414	12/1998

(Continued)

OTHER PUBLICATIONS

Damen Office Furniture, Bosen Scope Series, "Flexor Chair Brochure," <http://www.officefurniture.co.nz/afawcs0154356/CATID=90/ID=113/SID=192488821/Flexor-Chair.html>.

(Continued)

Primary Examiner — Mimosa De

(74) *Attorney, Agent, or Firm* — Price Heneveld LLP

(57) **CLAIM**

We claim the ornamental design for a chair, as shown and described.

DESCRIPTION

FIG. 1 is a perspective view of a chair embodying the present invention;

FIG. 2 is a front view of the chair;

FIG. 3 is a first side view of the chair;

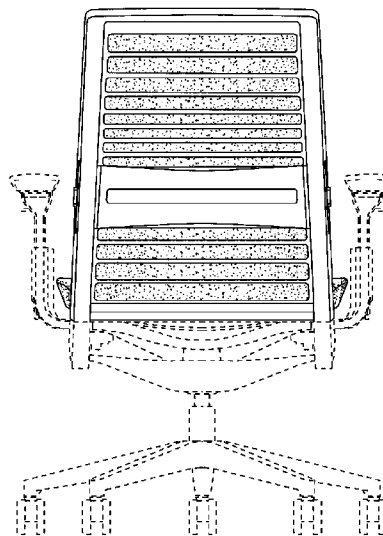
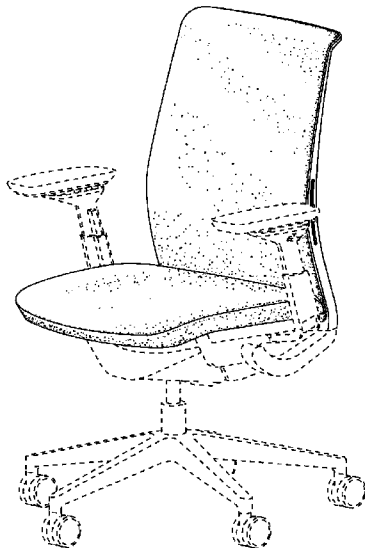
FIG. 4 is a second side view of the chair;

FIG. 5 is a rear view of the chair;

FIG. 6 is a top view of the chair; and,

FIG. 7 is a bottom view of the chair.

1 Claim, 6 Drawing Sheets



(56)

References Cited

U.S. PATENT DOCUMENTS

D266,804 S	11/1982	Zapf	D535,112 S *	1/2007	Bernett et al.	D6/366
4,545,614 A	10/1985	Abu-Isa et al.	D535,126 S *	1/2007	Loew et al.	D6/716
4,567,615 A	2/1986	Fanti	D540,080 S	4/2007	Su	
D289,120 S	4/1987	Chadwick et al.	D542,580 S *	5/2007	Loew et al.	D6/716.4
D327,781 S	7/1992	Citterio	D543,385 S	5/2007	Loew et al.	
D327,782 S	7/1992	Citterio	D543,396 S	5/2007	Loew et al.	
D339,244 S	9/1993	Fahnstrom et al.	D543,397 S	5/2007	Loew et al.	
D339,940 S	10/1993	Balderi et al.	7,226,130 B2	6/2007	Tubergen et al.	
5,318,347 A	6/1994	Tseng	D558,996 S *	1/2008	Igarashi	D6/366
D349,826 S	8/1994	Homann	D559,571 S *	1/2008	Meda	D6/366
5,462,335 A	10/1995	Seyler	D559,573 S *	1/2008	Igarashi	D6/366
5,549,358 A	8/1996	Müller	7,328,950 B2	2/2008	McMillen et al.	
5,651,583 A	7/1997	Klingler et al.	7,344,194 B2	3/2008	Maier et al.	
D382,149 S	8/1997	Pimental et al.	7,347,495 B2	3/2008	Beyer et al.	
D390,026 S	2/1998	Biecher	7,360,835 B2	4/2008	Tubergen et al.	
5,806,927 A	9/1998	Schneider	D579,223 S	10/2008	Greutmann	
5,871,258 A	2/1999	Batthey et al.	7,441,839 B2	10/2008	Pennington et al.	
D410,799 S	6/1999	Meda	7,484,802 B2	2/2009	Beyer et al.	
5,951,110 A	9/1999	Conner et al.	7,604,298 B2	10/2009	Peterson et al.	
5,954,399 A	9/1999	Hong	D604,527 S	11/2009	Oooki et al.	
5,975,634 A	11/1999	Knoblock et al.	D609,021 S	2/2010	Oooki et al.	
5,997,093 A	12/1999	Gollin et al.	7,748,783 B2	7/2010	Kinoshita et al.	
5,997,094 A	12/1999	Cvek	7,798,573 B2	9/2010	Pennington et al.	
6,056,360 A	5/2000	Schneider	7,841,666 B2	11/2010	Schmitz et al.	
6,056,367 A	5/2000	Hsiao	7,857,388 B2	12/2010	Bedford et al.	
6,074,013 A	6/2000	Hsiao	8,162,399 B2	4/2012	Demontis et al.	
6,076,892 A	6/2000	van Hekken et al.	D665,592 S *	8/2012	Citterio	D6/366
6,086,153 A	7/2000	Heidmann et al.	D666,841 S *	9/2012	Czumaj-Bront et al.	D6/366
6,106,070 A	8/2000	Ritt et al.	D667,231 S *	9/2012	Citterio	D6/366
6,116,695 A	9/2000	Heidmann et al.	2003/0137172 A1	7/2003	Chu	
6,148,979 A	11/2000	Roach et al.	2004/0051358 A1 *	3/2004	Bodnar et al.	297/300.1
6,149,236 A	11/2000	Brauning	2004/0245827 A1 *	12/2004	Bedford et al.	297/300.1
D436,259 S	1/2001	Nagamitsu	2004/0245839 A1 *	12/2004	Bodnar et al.	297/452.63
D436,260 S	1/2001	Nagamitsu	2005/0029848 A1 *	2/2005	Heidmann et al.	297/300.1
D436,456 S	1/2001	Neil	2006/0261653 A1	11/2006	McMillen et al.	
6,179,384 B1	1/2001	DeKraker et al.	2010/0001572 A1	1/2010	Masunaga et al.	
D437,132 S	2/2001	Nagamitsu	2010/0148546 A1	6/2010	Demontis et al.	
D437,497 S	2/2001	Brauning	2011/0062758 A1	3/2011	Wiese	
D437,701 S	2/2001	Bellini et al.				
6,189,972 B1	2/2001	Chu et al.				
6,260,921 B1	7/2001	Chu et al.				
D449,174 S	10/2001	Neil				
6,302,486 B1	10/2001	Lamart et al.				
D451,293 S	12/2001	Su				
D456,625 S	5/2002	Frenkler et al.				
D457,739 S	5/2002	Pearce et al.				
6,386,634 B1	5/2002	Stumpf et al.				
6,394,548 B1	5/2002	Batthey et al.				
6,394,553 B1	5/2002	McAllister et al.				
6,402,246 B1	6/2002	Mundell				
6,439,661 B1	8/2002	Brauning				
6,471,294 B1	10/2002	Dammermann et al.				
D468,564 S	1/2003	Piretti et al.				
6,508,509 B2	1/2003	Peterson				
D469,618 S	2/2003	Nagamitsu				
6,523,898 B1	2/2003	Ball et al.				
D474,346 S	5/2003	Saylor et al.				
D476,820 S	7/2003	Nagamitsu				
6,588,842 B2	7/2003	Stumpf et al.				
6,688,690 B2	2/2004	Watson et al.				
6,695,403 B1	2/2004	Su				
D489,542 S	5/2004	Giugiaro				
6,729,691 B2	5/2004	Koepke et al.				
6,874,852 B2	4/2005	Footitt				
6,890,030 B2	5/2005	Wilkerson et al.				
6,908,159 B2	6/2005	Prince et al.				
D509,969 S	9/2005	Loew et al.				
6,957,860 B1	10/2005	Leist et al.				
6,957,861 B1	10/2005	Chou et al.				
6,991,291 B2	1/2006	Knoblock et al.				
7,014,269 B2	3/2006	Coffield et al.				
7,097,247 B2	8/2006	Batthey et al.				
D534,018 S	12/2006	Loew et al.				
D534,364 S	1/2007	Loew et al.				

FOREIGN PATENT DOCUMENTS

DE	20112351	1/2002
EP	0284272	9/1988
EP	0836819	4/1998
EP	0839478	5/1998
EP	0949875	10/1999
EP	1044634	10/2000
EP	1059051	12/2000
EP	1192880	4/2002
EP	1287765	3/2003
FR	1253004	2/1961
JP	200379471	3/2003
JP	2003079472	3/2003
JP	2003079474	3/2003
JP	2003079476	3/2003
JP	2003079478	3/2003
JP	2003079479	3/2003
JP	2003079481	3/2003
JP	2003079487	3/2003
JP	2003081322	3/2003
WO	9103968	4/1991
WO	9816140	4/1998
WO	9921456	5/1999
WO	9941103	8/1999
WO	0022960	4/2000
WO	0074531	12/2000
WO	0178558	10/2001

OTHER PUBLICATIONS

Vitra AG, Meda II chair, "Meda Collection, Office Chair," <http://www.vitra.com/en-us/product/meda-chair--meda-conference?subfam.id=37683>, Sotto Today, Apr. 2002.
 Steelcase, Inc., "Think Chair Brochure," Printed 2010.
 ebay, Item #92748107, "Armchair," Printed Dec. 9, 2002.

* cited by examiner

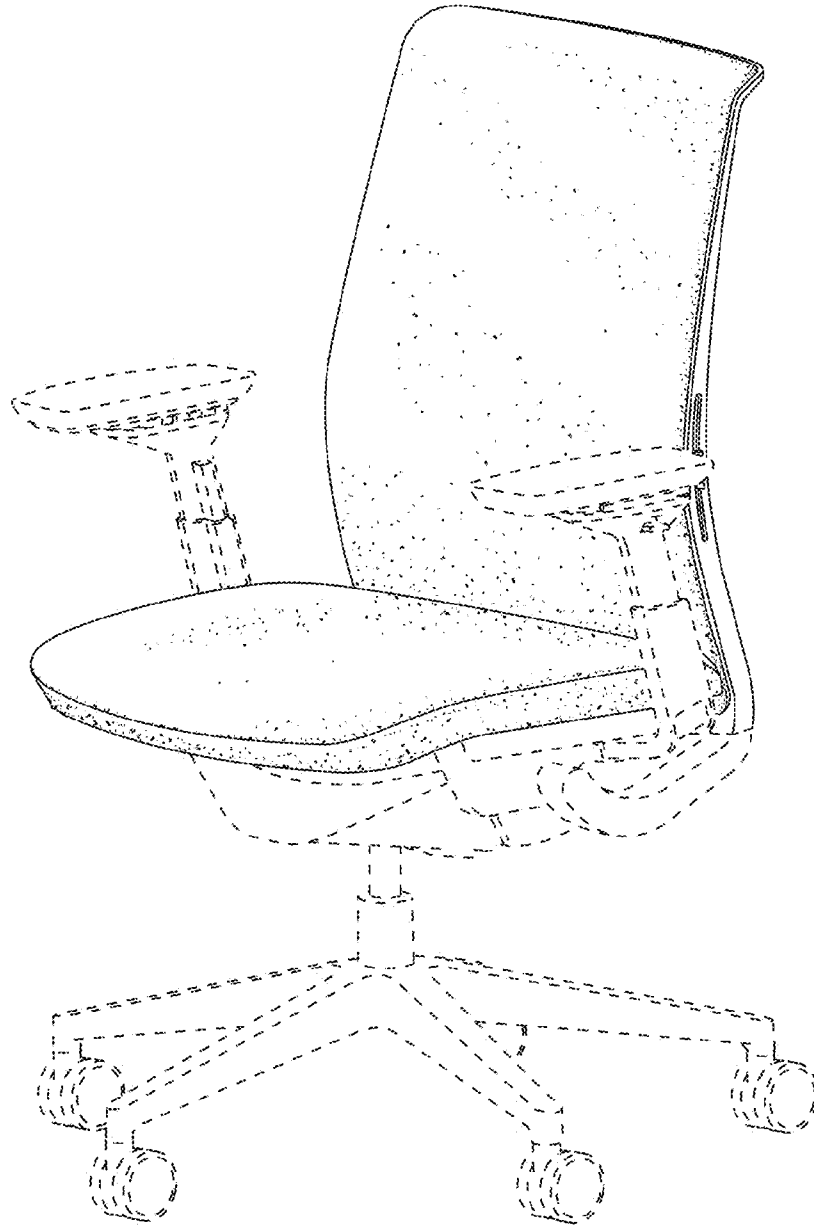


FIG. 1

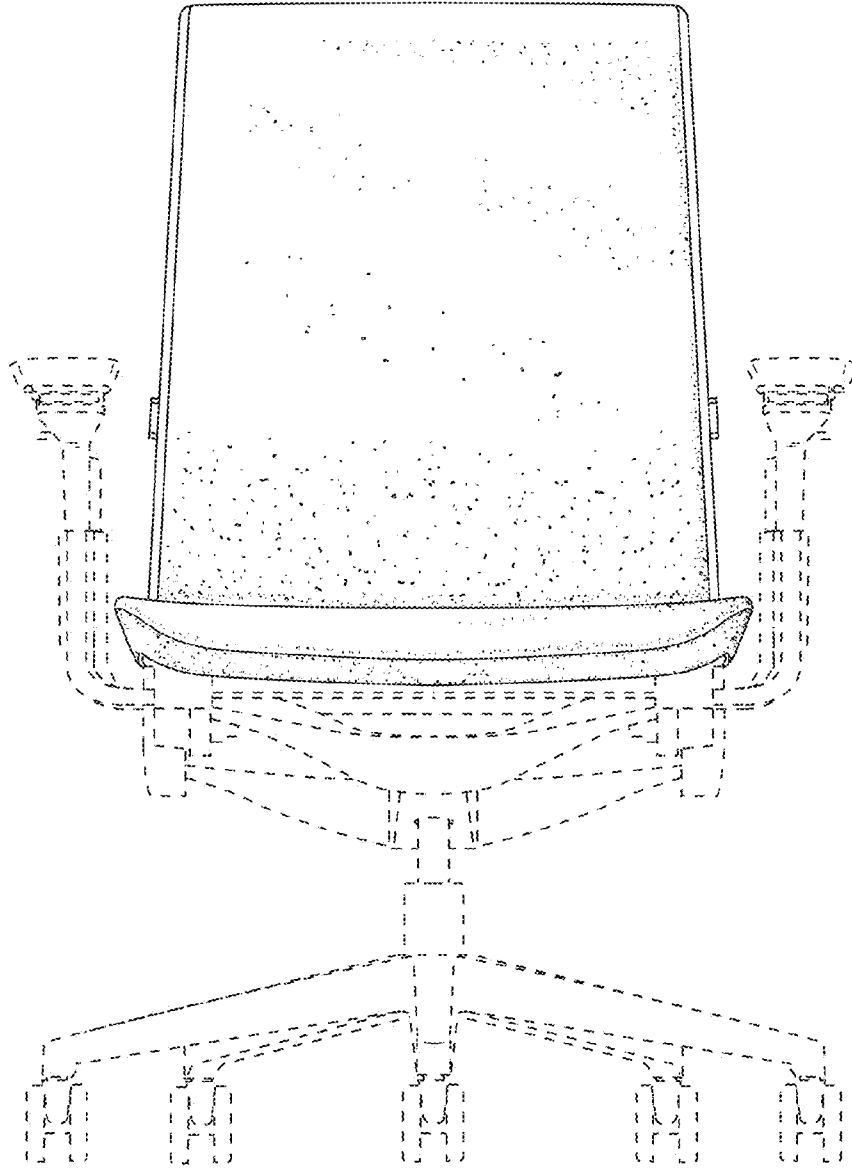


FIG. 2

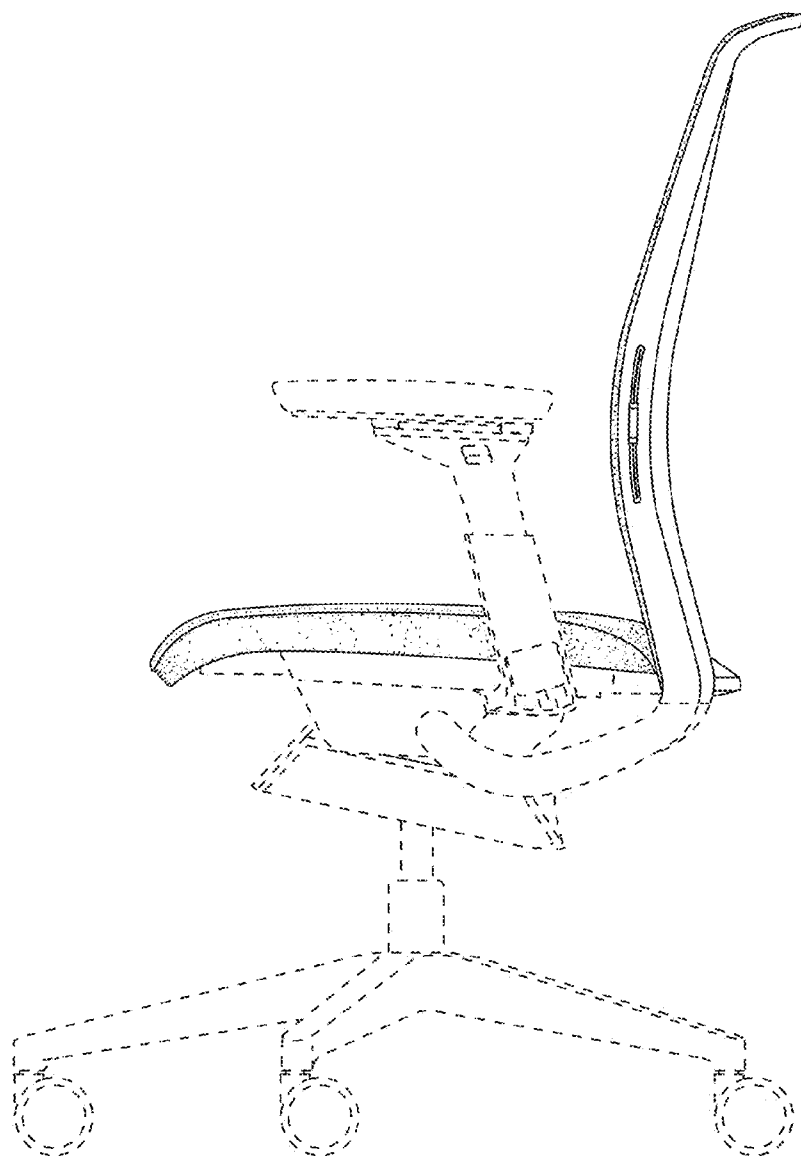


FIG. 3

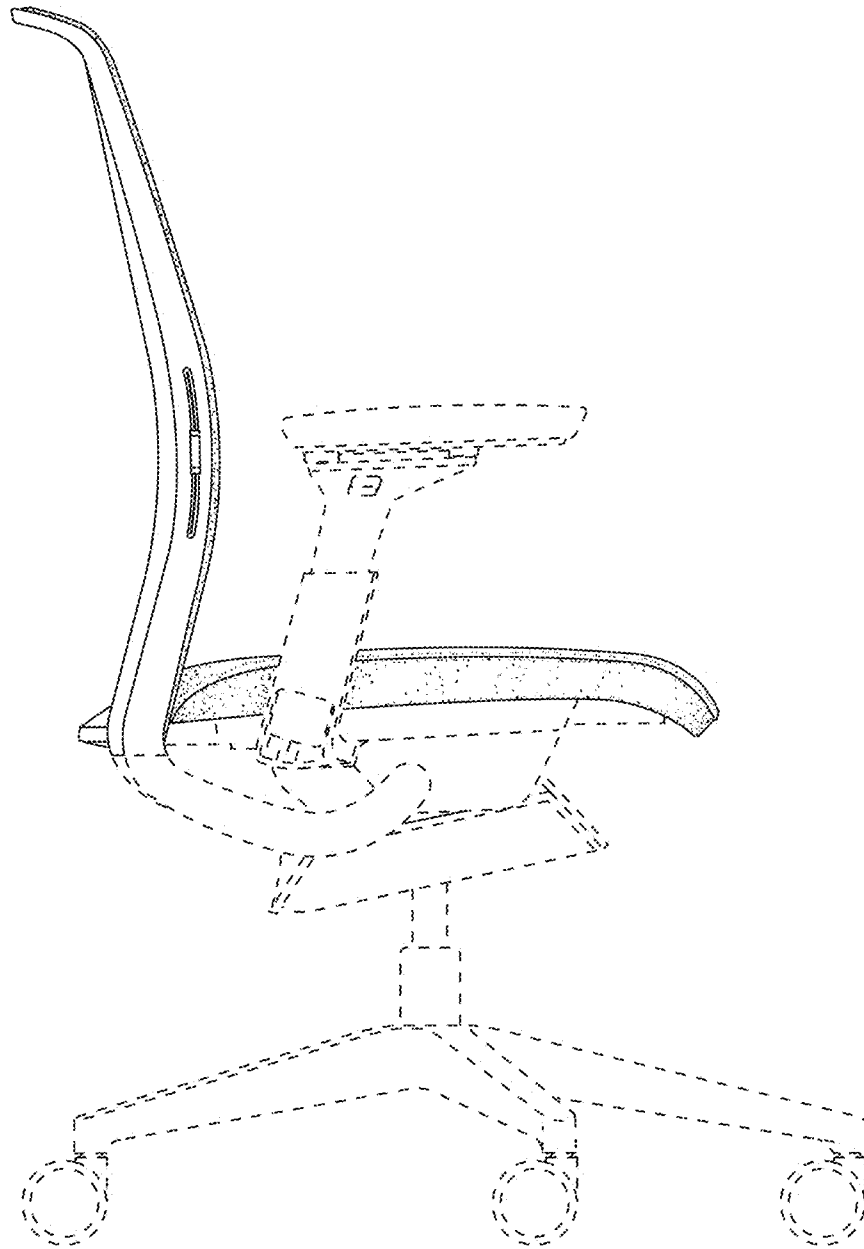


FIG. 4

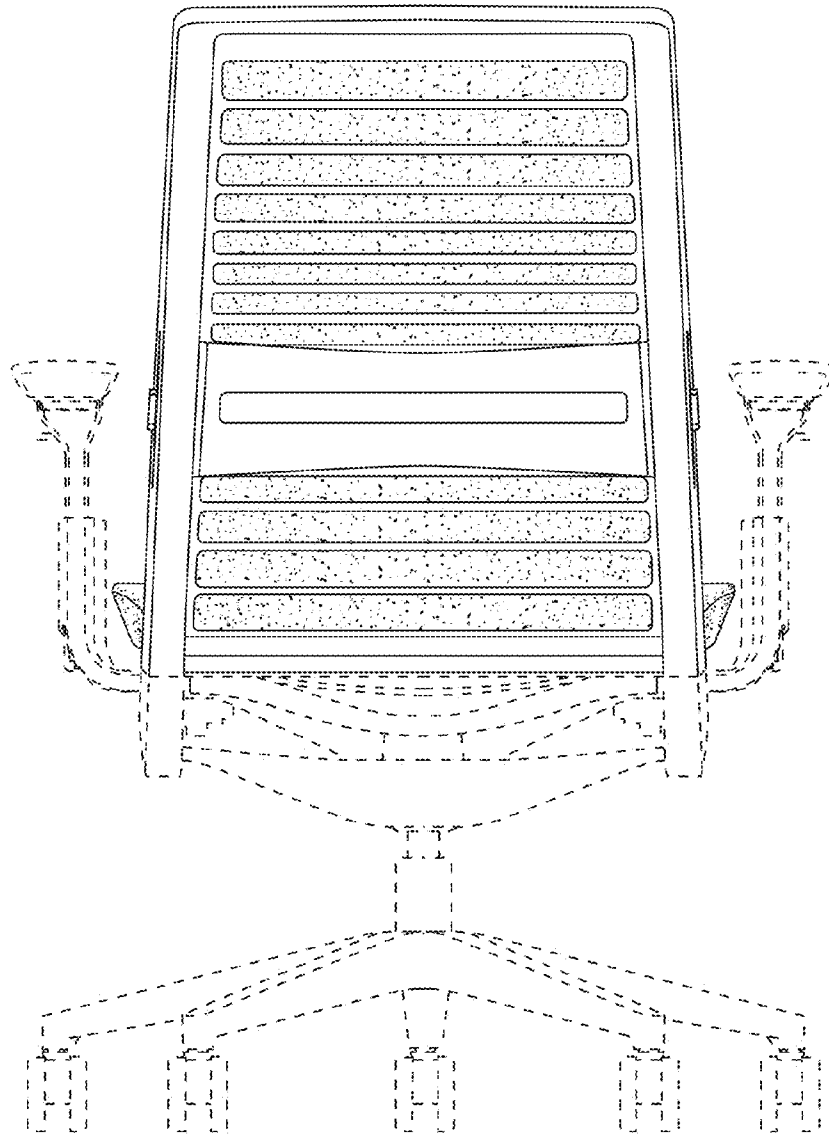


FIG. 5

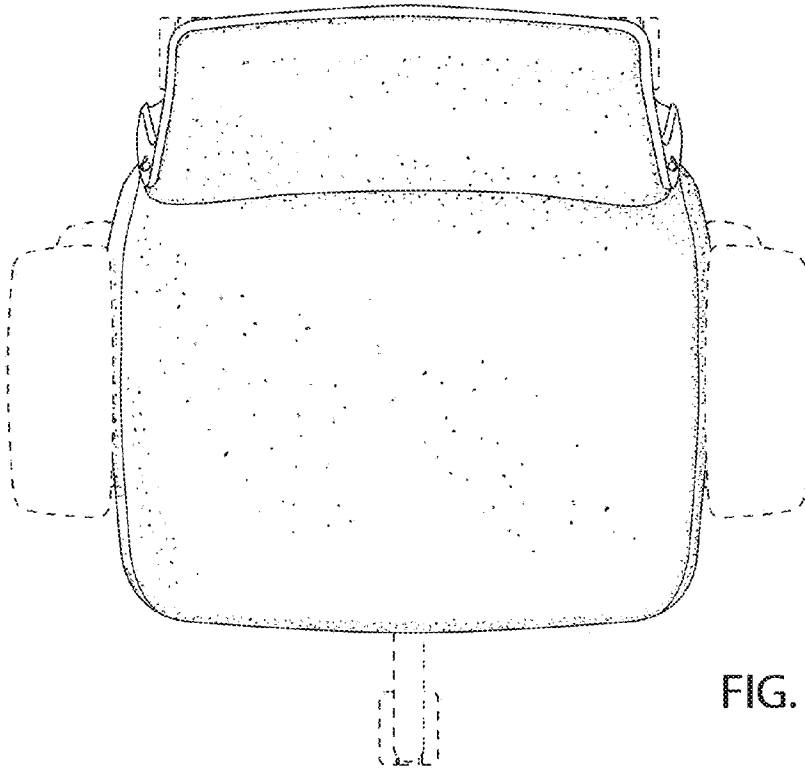


FIG. 6

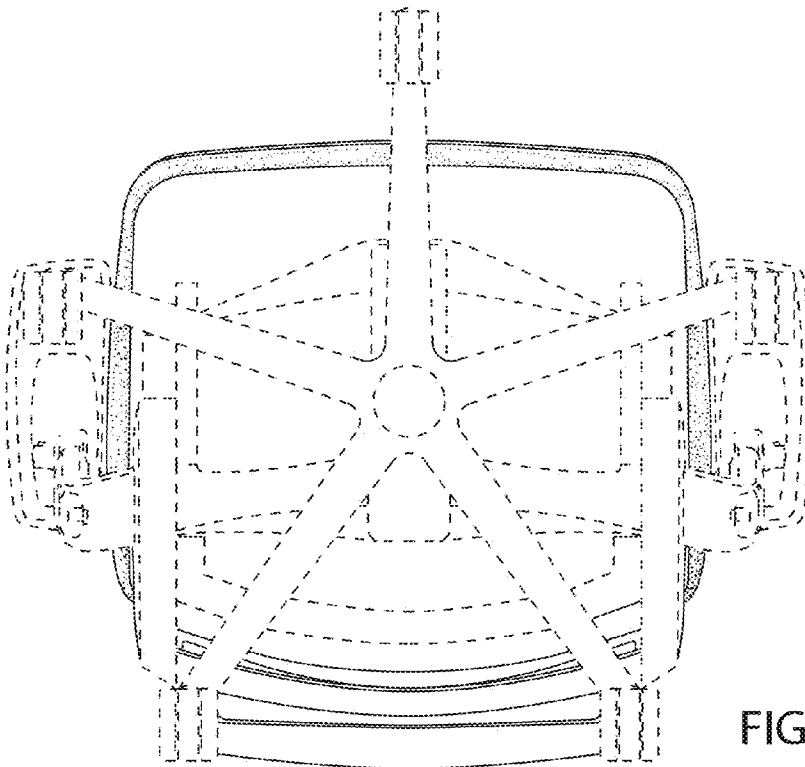


FIG. 7