



US00D696643S

(12) **United States Design Patent**  
**Lee et al.**

(10) **Patent No.:** **US D696,643 S**

(45) **Date of Patent:** **\*\* Dec. 31, 2013**

(54) **HEADPHONE END CAPS**

(75) Inventors: **Noel Lee**, Las Vegas, NV (US);  
**Kendrew Lee**, Tsing Yi (HK)

(73) Assignee: **Monster, LLC**, Las Vegas, NV (US)

(\*\*) Term: **14 Years**

(21) Appl. No.: **29/430,708**

(22) Filed: **Aug. 29, 2012**

(51) **LOC (9) Cl.** ..... **14-01**

(52) **U.S. Cl.**  
USPC ..... **D14/205**

(58) **Field of Classification Search**  
USPC ..... D14/205, 206, 223, 192, 217, 238.1,  
D14/240, 253; 181/129, 130, 135; 379/430,  
379/431; 381/380, 381; D29/112; 2/209;  
455/90.3, 575.1

See application file for complete search history.

(56) **References Cited**

**U.S. PATENT DOCUMENTS**

D29,707	S	*	11/1898	Mulconroy	.....	D14/249
D68,060	S	*	8/1925	Pacent	.....	D14/249
2,118,993	A	*	5/1938	Volf	.....	381/355
2,431,022	A	*	11/1947	Brodie	.....	381/353
4,385,209	A	*	5/1983	Greason et al.	.....	381/113
D274,516	S	*	7/1984	Walker, Jr.	.....	D14/249
4,689,822	A	*	8/1987	Houng	.....	381/379
D328,074	S	*	7/1992	Yamazaki et al.	.....	D14/205
D484,485	S	*	12/2003	Matsuoka	.....	D14/205
D512,416	S	*	12/2005	Medina Malaver	.....	D14/223
D512,417	S	*	12/2005	Hirakawa et al.	.....	D14/223
7,072,483	B2	*	7/2006	Lenhard-Backhaus	.....	381/383
D534,155	S	*	12/2006	Obata	.....	D14/205
D552,077	S	*	10/2007	Brunner et al.	.....	D14/205
D563,382	S	*	3/2008	Wikel	.....	D14/205
D573,581	S	*	7/2008	Gondo et al.	.....	D14/205
D593,995	S	*	6/2009	Shimizu	.....	D14/205
D625,705	S	*	10/2010	Ohori et al.	.....	D14/205
D632,668	S	*	2/2011	Brunner et al.	.....	D14/205

D637,176	S	*	5/2011	Brunner et al.	.....	D14/205
D643,833	S	*	8/2011	Lee et al.	.....	D14/223
D652,406	S	*	1/2012	Lee et al.	.....	D14/205
D657,344	S	*	4/2012	Brunner et al.	.....	D14/205
D657,776	S	*	4/2012	Lee et al.	.....	D14/205
D660,824	S	*	5/2012	Hardi et al.	.....	D14/205
D662,080	S	*	6/2012	Carr et al.	.....	D14/205
D669,451	S	*	10/2012	Tappeiner et al.	.....	D14/205
D671,914	S	*	12/2012	Lee et al.	.....	D14/205
D673,136	S	*	12/2012	Kelly et al.	.....	D14/205
D673,518	S	*	1/2013	Tan	.....	D14/205
D675,595	S	*	2/2013	Cho et al.	.....	D14/205
D677,647	S	*	3/2013	Lee et al.	.....	D14/205
D678,860	S	*	3/2013	Hagelin	.....	D14/205
D683,329	S	*	5/2013	Hagelin	.....	D14/205

**OTHER PUBLICATIONS**

U.S. Appl. No. 29/400,640, filed Aug. 31, 2011; Lee, Noel.  
U.S. Appl. No. 29/406,344, filed Nov. 11, 2011; Lee, Noel.  
U.S. Appl. No. 29/407,028, filed Nov. 22, 2011; Lee, Noel.

\* cited by examiner

*Primary Examiner* — Paula Greene

(74) *Attorney, Agent, or Firm* — LaRiviere, Grubman & Payne, LLP

(57) **CLAIM**

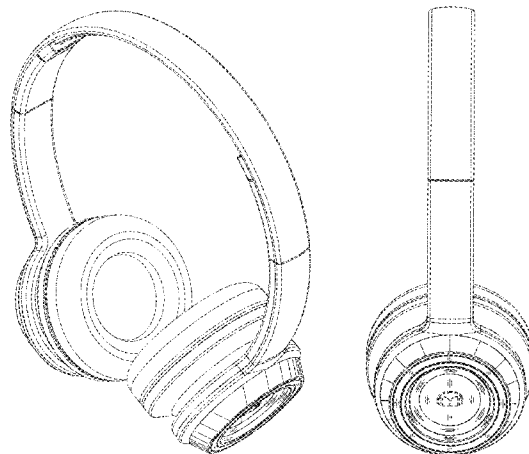
The ornamental design for headphone end caps, as shown and described.

**DESCRIPTION**

FIG. 1 is a perspective view of headphone end caps in use condition, showing our design;  
FIG. 2 is side view thereof;  
FIG. 3 is an opposing side view thereof;  
FIG. 4 is a front view thereof;  
FIG. 5 is an opposing front view thereof;  
FIG. 6 is a top view thereof; and,  
FIG. 7 is a bottom view thereof.

The broken lines showing the environment are for illustrative purposes only and form no part of the claimed design.

**1 Claim, 5 Drawing Sheets**



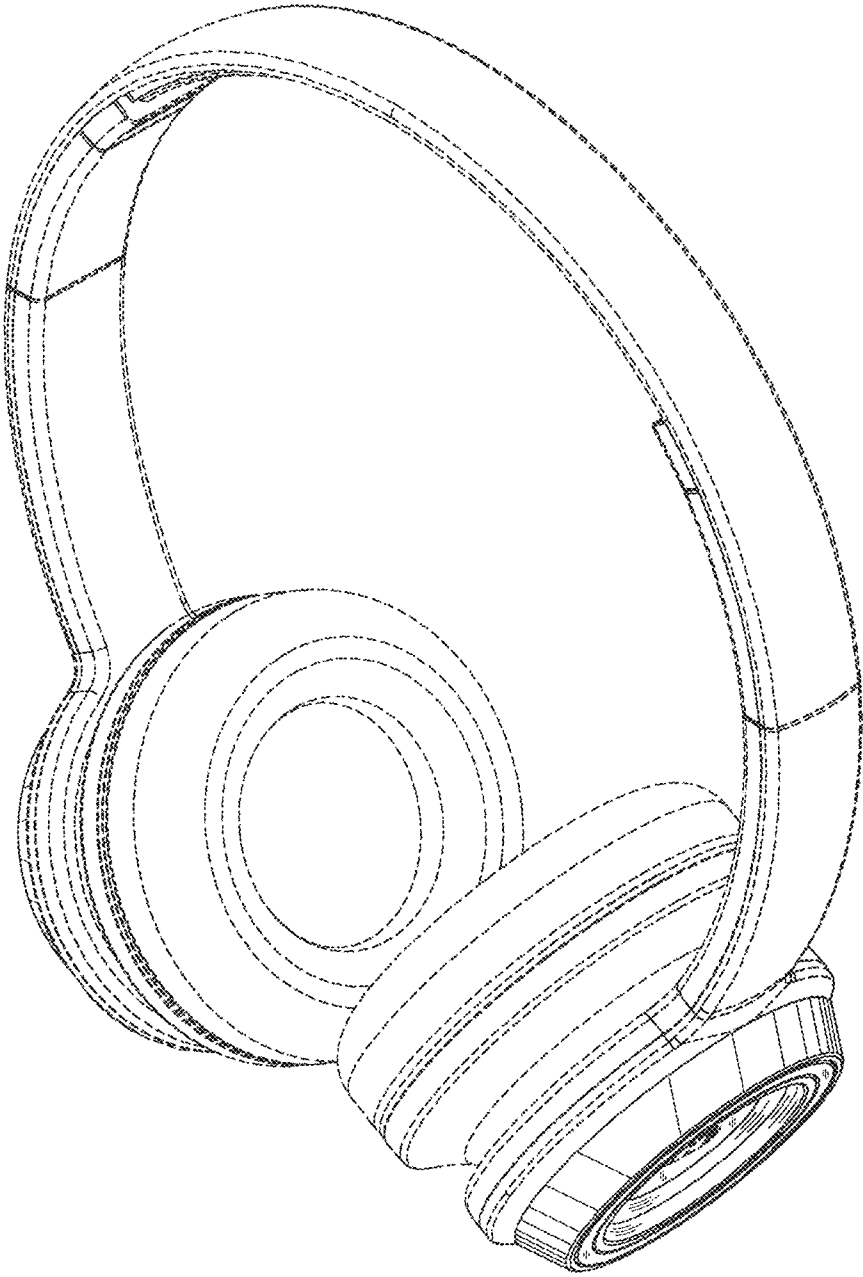


FIG. 1

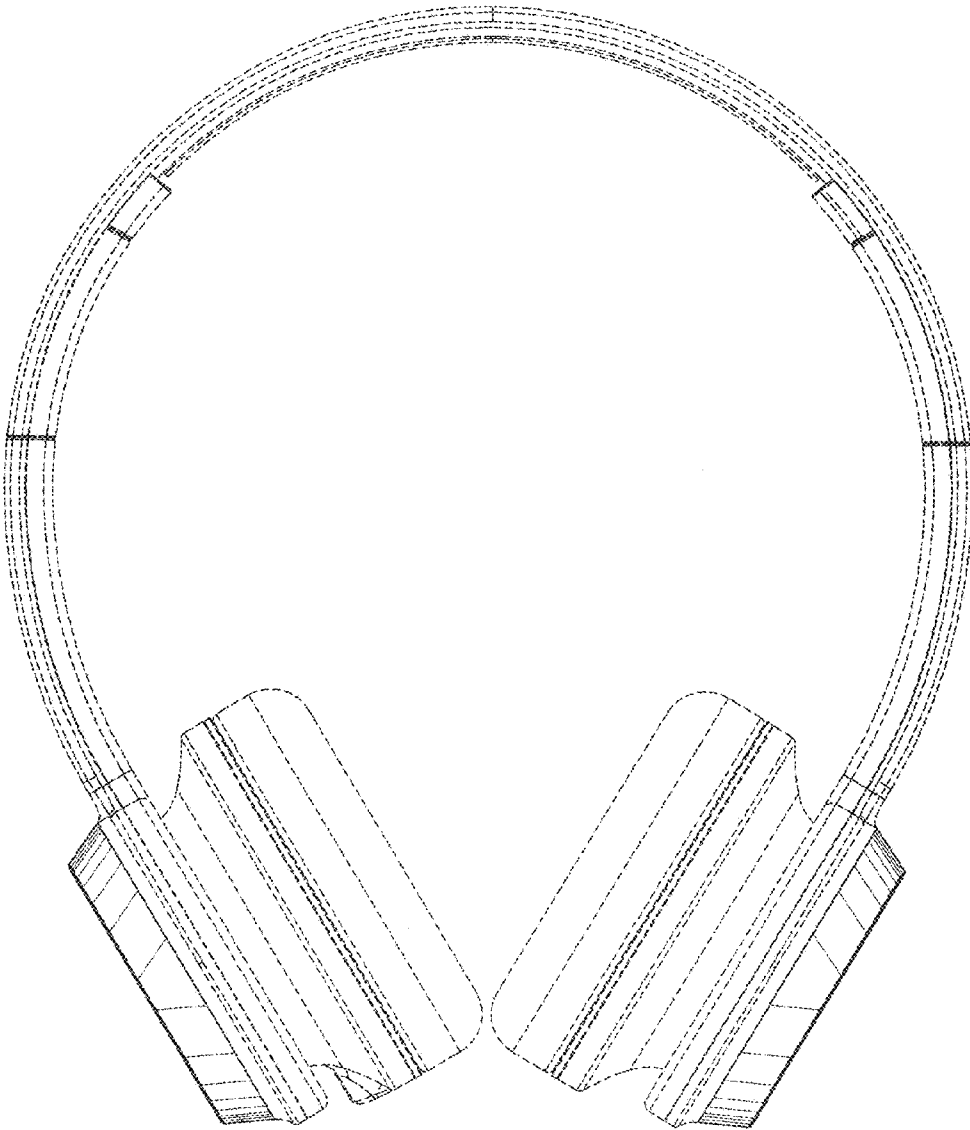


FIG. 2

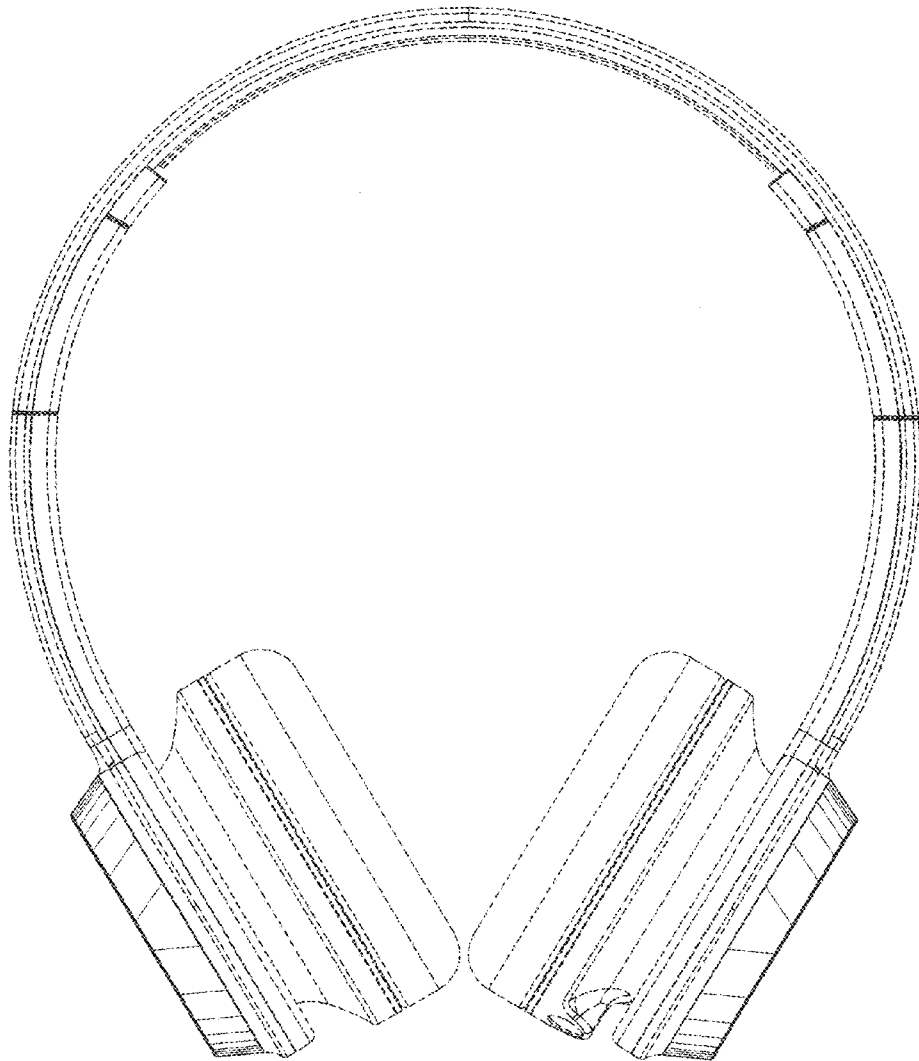


FIG. 3

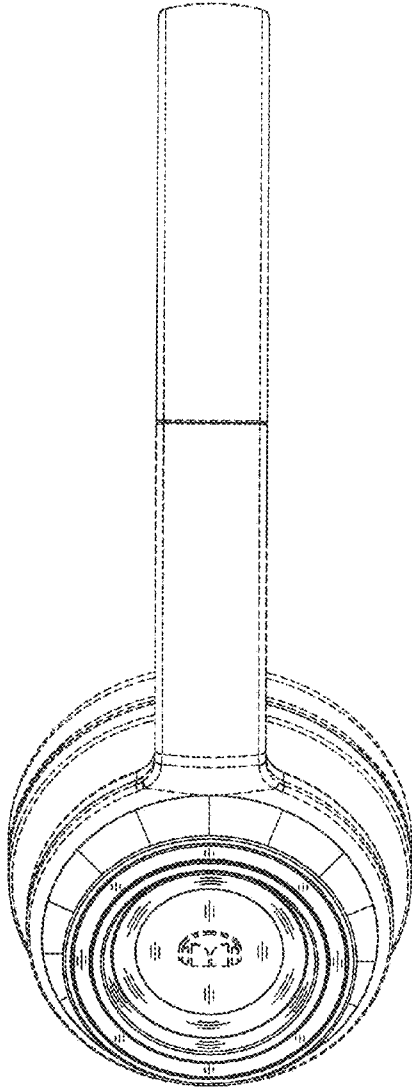


FIG. 4

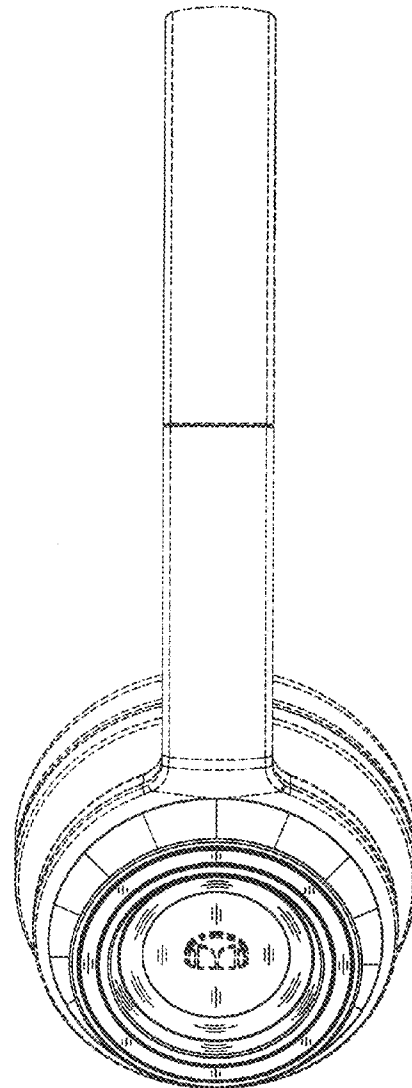


FIG. 5

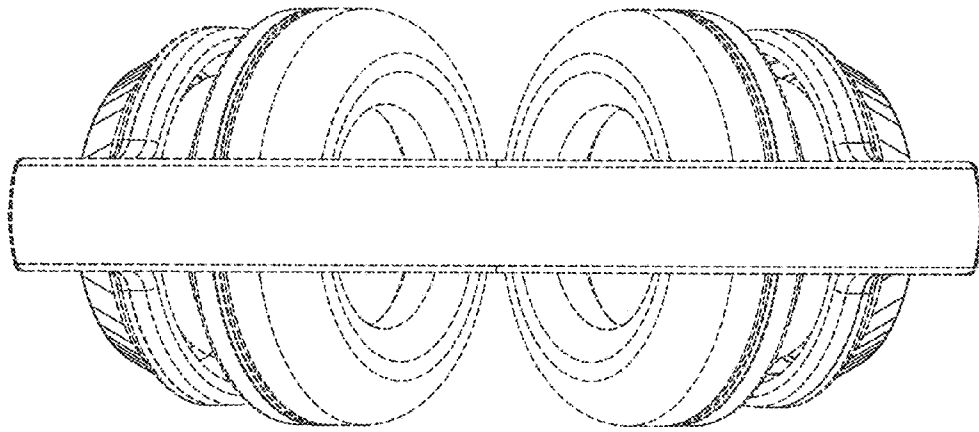


FIG. 6

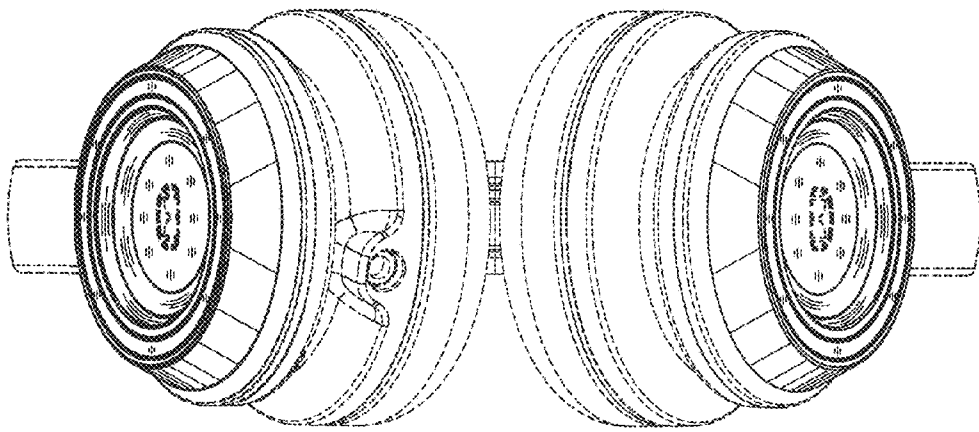


FIG. 7