

(19) World Intellectual Property Organization
International Bureau



(43) International Publication Date
4 January 2007 (04.01.2007)

PCT

(10) International Publication Number
WO 2007/000667 A3

- (51) International Patent Classification:
A47L 13/22 (2006.01) B05B 1/04 (2006.01)
- (21) International Application Number:
PCT/IB2006/002262
- (22) International Filing Date: 13 March 2006 (13.03.2006)
- (25) Filing Language: English
- (26) Publication Language: English
- (30) Priority Data:
20 2005004060.6 14 March 2005 (14.03.2005) DE
11/359,717 22 February 2006 (22.02.2006) US
11/372,924 11 March 2006 (11.03.2006) US
- (71) Applicant (for all designated States except US): AVET
AG [—/CH]; Eichwiesstrasse 9, CH-8630 Ruti-zurich
(CH).
- (72) Inventor; and
- (75) Inventor/Applicant (for US only): SACKS, Roland
[CH/CH]; Wandhuslenstrasse 15, CH-8608 Bubikon (CH).
- (81) Designated States (unless otherwise indicated, for every
kind of national protection available): AE, AG, AL, AM,

AT, AU, AZ, BA, BB, BG, BR, BW, BY, BZ, CA, CH, CN, CO, CR, CU, CZ, DE, DK, DM, DZ, EC, EE, EG, ES, FI, GB, GD, GE, GH, GM, HR, HU, ID, IL, IN, IS, JP, KE, KG, KM, KN, KP, KR, KZ, LC, LK, LR, LS, LT, LU, LV, LY, MA, MD, MG, MK, MN, MW, MX, MZ, NA, NG, NI, NO, NZ, OM, PG, PH, PL, PT, RO, RU, SC, SD, SE, SG, SK, SL, SM, SY, TJ, TM, TN, TR, TT, TZ, UA, UG, US, UZ, VC, VN, YU, ZA, ZM, ZW.

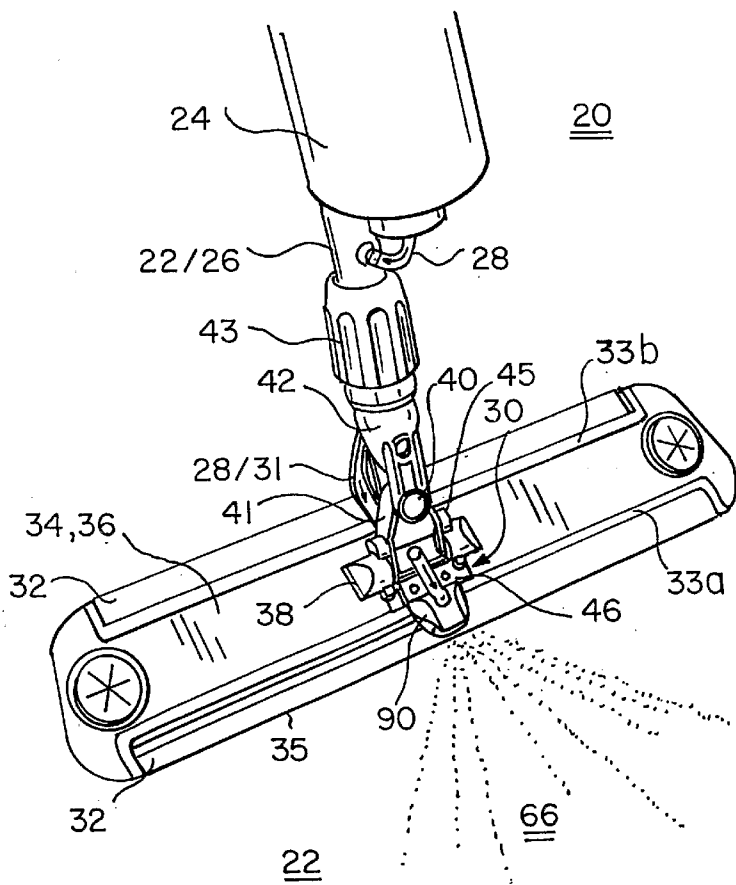
(84) Designated States (unless otherwise indicated, for every kind of regional protection available): ARIPO (BW, GH, GM, KE, LS, MW, MZ, NA, SD, SL, SZ, TZ, UG, ZM, ZW), Eurasian (AM, AZ, BY, KG, KZ, MD, RU, TJ, TM), European (AT, BE, BG, CH, CY, CZ, DE, DK, EE, ES, FI, FR, GB, GR, HU, IE, IS, IT, LT, LU, LV, MC, NL, PL, PT, RO, SE, SI, SK, TR), OAPI (BF, BJ, CF, CG, CI, CM, GA, GN, GQ, GW, ML, MR, NE, SN, TD, TG).

Published:
— with international search report

(88) Date of publication of the international search report:
29 March 2007

[Continued on next page]

(54) Title: CLEANING DEVICE



(57) Abstract: A cleaning device (20) includes a support shaft (22); a retaining plate (34) connected to a distal end (26) of the support shaft by pivot elements; a cleaning pad (80) detachably secured to a lower surface of the retaining plate; a fluid reservoir (24) attached to the support shaft; and a flat jet spray assembly (30) secured upon the upper surface (36) of the retaining plate within its perimeter. The flat jet spray assembly includes a spray head (44, 90) having a securing flange (48) with an inclined base at the rear portion; and a front portion having a slot-shaped spray jet outlet (52) being open at side edges and a channel (65) around a center of, and in perpendicular to, the slot-shaped spray jet outlet; a spray nozzle (58) disposed within the channel (65), which has a horizontal emission slit; and a fluid feed tubing (31) connected between the fluid reservoir and the spray nozzle.

WO 2007/000667 A3



For two-letter codes and other abbreviations, refer to the "Guidance Notes on Codes and Abbreviations" appearing at the beginning of each regular issue of the PCT Gazette.

INTERNATIONAL SEARCH REPORT

International application No
PCT/IB2006/002262

A. CLASSIFICATION OF SUBJECT MATTER
INV. A47L13/22 B05B1/04

According to International Patent Classification (IPC) or to both national classification and IPC

B. FIELDS SEARCHED

Minimum documentation searched (classification system followed by classification symbols)
A47L B05B

Documentation searched other than minimum documentation to the extent that such documents are included in the fields searched

Electronic data base consulted during the international search (name of data base and, where practical, search terms used)

EPO-Internal, WPI Data

C. DOCUMENTS CONSIDERED TO BE RELEVANT

Category*	Citation of document, with indication, where appropriate, of the relevant passages	Relevant to claim No.
A	WO 98/23200 A (PROCTER & GAMBLE [US]) 4 June 1998 (1998-06-04) abstract page 3, paragraph 2 - paragraph 3 figures	1, 14
A	JP 2004 242800 A (KAO CORP) 2 September 2004 (2004-09-02) abstract figure 1	1, 14
P,A	EP 1 602 311 A2 (UNI CHARM CORP [JP]) 7 December 2005 (2005-12-07) abstract paragraph [0029] - paragraph [0032] paragraph [0035] - paragraph [0039] figures 1-6	1, 14
	----- -/--	

Further documents are listed in the continuation of Box C.

See patent family annex.

* Special categories of cited documents:

- *A* document defining the general state of the art which is not considered to be of particular relevance
- *E* earlier document but published on or after the international filing date
- *L* document which may throw doubts on priority claim(s) or which is cited to establish the publication date of another citation or other special reason (as specified)
- *O* document referring to an oral disclosure, use, exhibition or other means
- *P* document published prior to the international filing date but later than the priority date claimed

- *T* later document published after the international filing date or priority date and not in conflict with the application but cited to understand the principle or theory underlying the invention
- *X* document of particular relevance; the claimed invention cannot be considered novel or cannot be considered to involve an inventive step when the document is taken alone
- *Y* document of particular relevance; the claimed invention cannot be considered to involve an inventive step when the document is combined with one or more other such documents, such combination being obvious to a person skilled in the art.
- * & * document member of the same patent family

Date of the actual completion of the international search

30 October 2006

Date of mailing of the international search report

29/12/2006

Name and mailing address of the ISA/

European Patent Office, P.B. 5818 Patentlaan 2
NL - 2280 HV Rijswijk
Tel. (+31-70) 340-2040, Tx. 31 651 epo nl,
Fax: (+31-70) 340-3016

Authorized officer

CABRAL MATOS, A

INTERNATIONAL SEARCH REPORT

International application No

PCT/IB2006/002262

C(Continuation). DOCUMENTS CONSIDERED TO BE RELEVANT

Category*	Citation of document, with indication, where appropriate, of the relevant passages	Relevant to claim No.
A	WO 96/17537 A (UNDERWOOD SCOTT [US]; UNDERWOOD JOHN [US]) 13 June 1996 (1996-06-13) page 17, line 25 - page 18, line 10 figures 9A,9B -----	1,14

INTERNATIONAL SEARCH REPORT

Information on patent family members

International application No

PCT/IB2006/002262

Patent document cited in search report		Publication date	Patent family member(s)	Publication date
WO 9823200	A	04-06-1998	AT 250887 T	15-10-2003
			AU 7401998 A	22-06-1998
			DE 69725336 D1	06-11-2003
			DE 69725336 T2	12-08-2004
			EP 0942679 A1	22-09-1999
			ES 2206759 T3	16-05-2004
			US 5888006 A	30-03-1999
JP 2004242800	A	02-09-2004	NONE	
EP 1602311	A2	07-12-2005	CN 1704011 A	07-12-2005
			JP 2005342256 A	15-12-2005
			US 2005271456 A1	08-12-2005
WO 9617537	A	13-06-1996	AU 2997395 A	26-06-1996