



US00D891796S

(12) **United States Design Patent**  
**Li**

(10) **Patent No.:** **US D891,796 S**

(45) **Date of Patent:** **\*\* Aug. 4, 2020**

(54) **STOOL**

D860,667 S \* 9/2019 Urquiola ..... D6/360  
D867,778 S \* 11/2019 Giotti ..... D6/360  
D877,525 S \* 3/2020 Novak ..... D6/360

(71) Applicant: **39F USA INC**, Rancho Cucamonga,  
CA (US)

(72) Inventor: **Yuehai Li**, Rancho Cucamonga, CA  
(US)

(\*\*) Term: **15 Years**

(21) Appl. No.: **29/687,544**

(22) Filed: **Apr. 12, 2019**

(51) **LOC (12) Cl.** ..... **06-01**

(52) **U.S. Cl.** ..... **D6/349**  
USPC .....

(58) **Field of Classification Search**  
USPC ..... D6/334, 335, 349-353, 354, 355, 360,  
D6/363, 364-365, 368, 596, 601, 604,  
D6/691-691.9, 692-692.6, 716-716.1;  
D25/65

CPC ..... A47B 7/00-02; A47C 11/00; A47C 12/00;  
A47C 13/00; A47C 16/00; A47C  
16/02-04; A47C 9/00-105; A47K 17/02;  
A47K 17/028

See application file for complete search history.

(56) **References Cited**

**U.S. PATENT DOCUMENTS**

D417,087 S \* 11/1999 Pellegrom ..... D6/351  
D533,728 S \* 12/2006 Martin ..... D6/372  
D696,036 S \* 12/2013 Starck ..... D6/360  
D766,002 S \* 9/2016 Wu ..... D6/360  
D799,227 S \* 10/2017 Martinez ..... D6/360  
D825,943 S \* 8/2018 Boonen ..... D6/360

**OTHER PUBLICATIONS**

EAHKGmh Bar Stool, Wooden Barstools Chair with Footrest.  
[online] Published on Oct. 11, 2019. Retrieved May 20, 2020 from  
URL: <https://www.amazon.com/EAHKGmh-Barstools-Eco-Friendly-Ergonomic-Arc-Shaped/dp/B07YZ2CN99>.  
Goods List. [online] Retrieved Jun. 18, 2020 from URL: [http://39f.net/brand.php?id=2&cat=22&page=2&sort=last\\_update&order=DESC](http://39f.net/brand.php?id=2&cat=22&page=2&sort=last_update&order=DESC).  
Hunter Bar Stool. [online] Retrieved Jun. 18, 2020 from URL:  
<https://www.cielo.co.za/bar-stools/hunter-bar-stool>.

\* cited by examiner

*Primary Examiner* — Vy N Koenig  
(74) *Attorney, Agent, or Firm* — Feng Qian

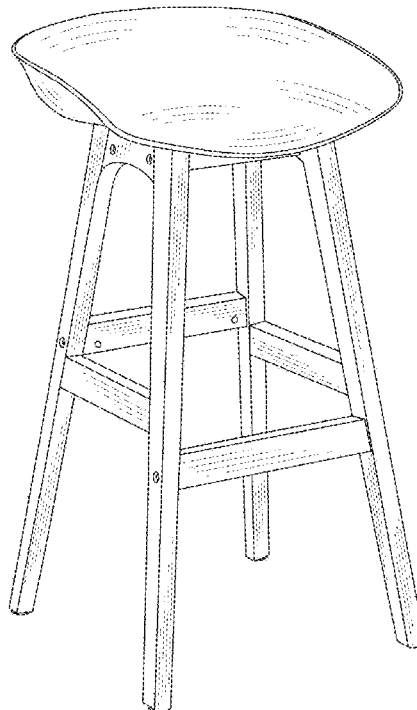
(57) **CLAIM**

The ornamental design for a stool, as shown and described.

**DESCRIPTION**

FIG. 1 is a front perspective view of a stool showing my new design;  
FIG. 2 is a front elevation view thereof;  
FIG. 3 is a rear elevation view thereof;  
FIG. 4 is a left-side elevation view thereof;  
FIG. 5 is a right-side elevation view thereof;  
FIG. 6 is a top plan view thereof; and,  
FIG. 7 is a rear plan view thereof.

**1 Claim, 7 Drawing Sheets**



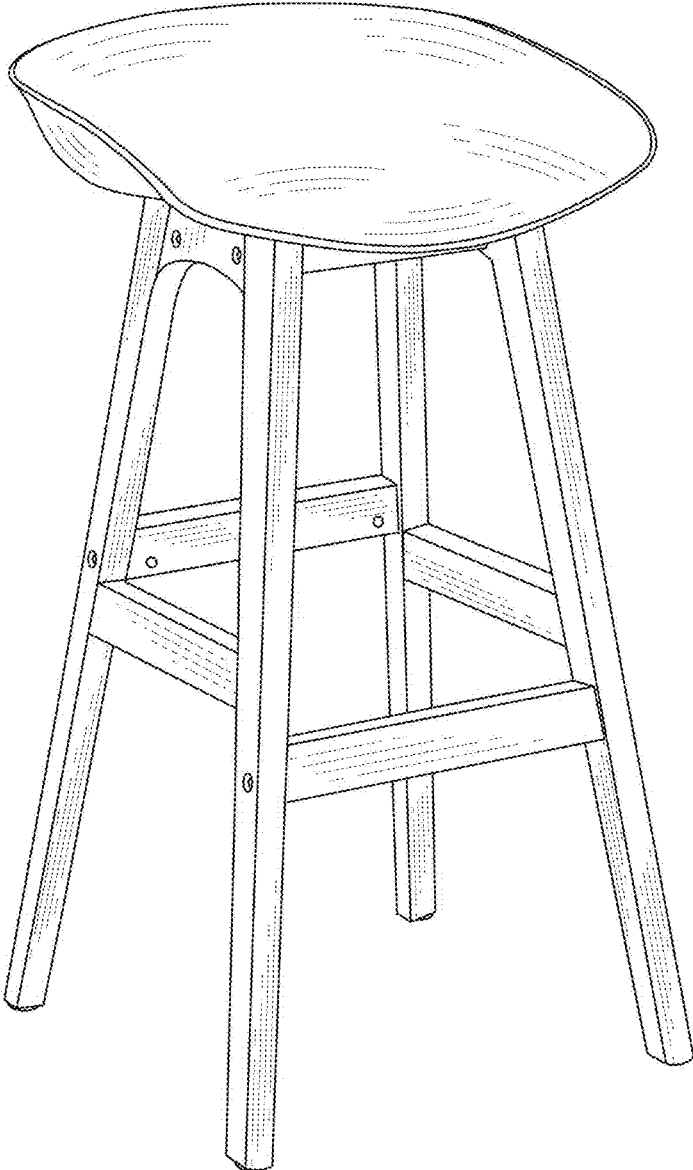


Fig.1

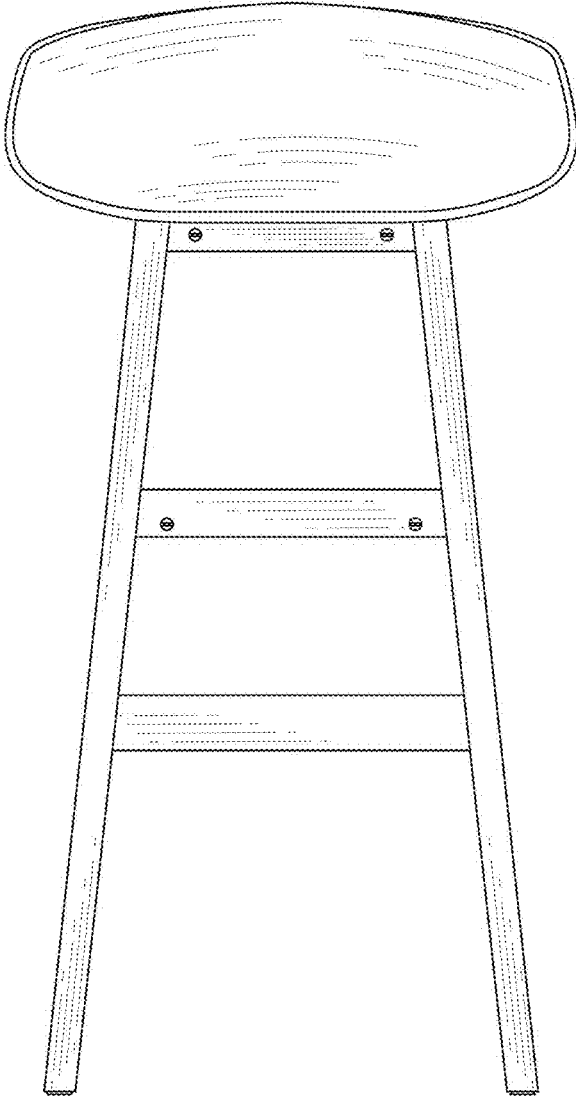


Fig.2

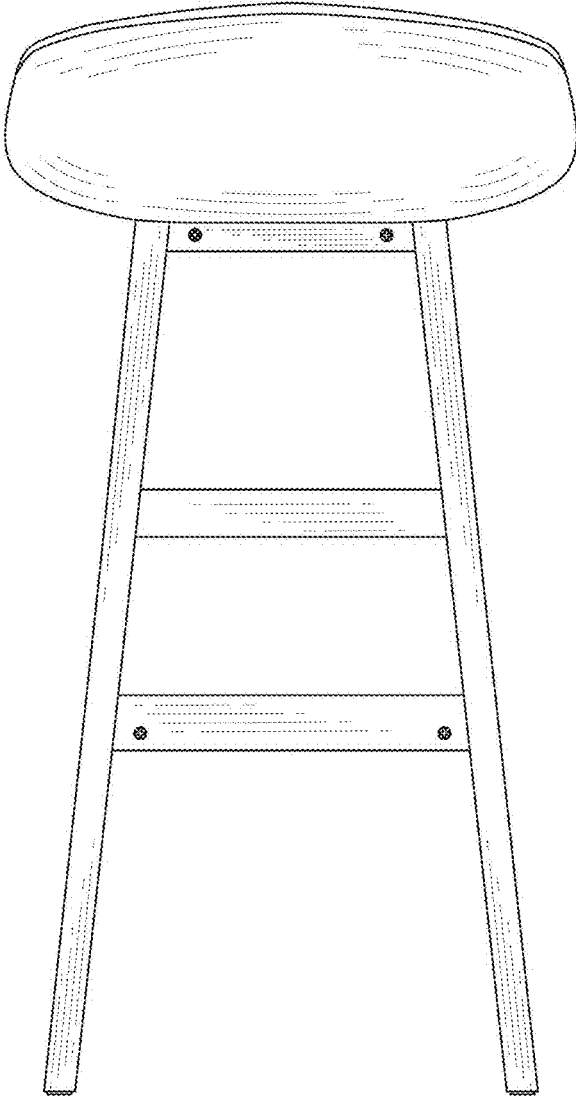


Fig.3

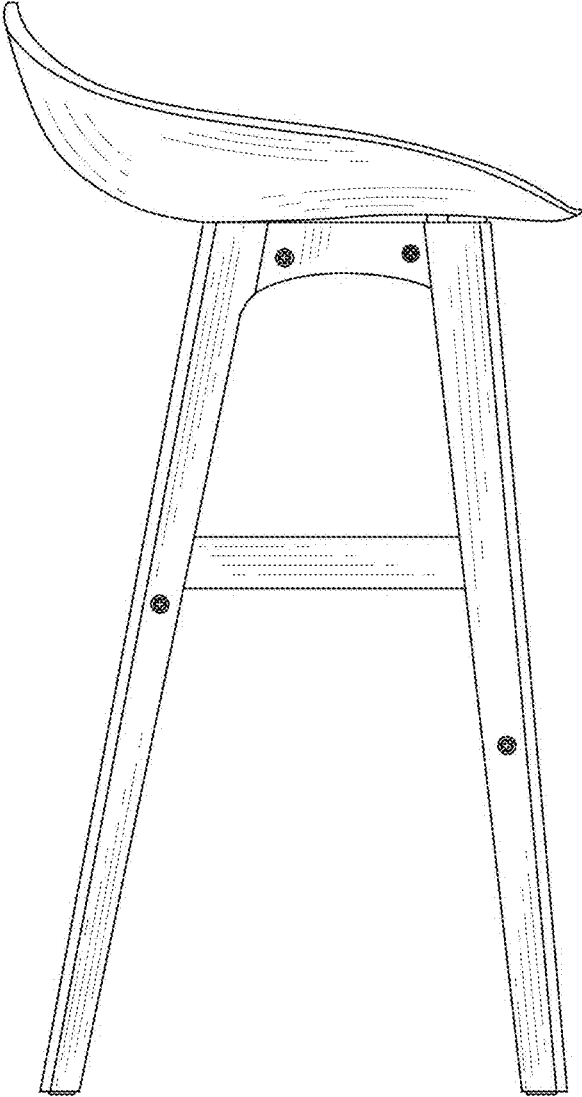


Fig.4

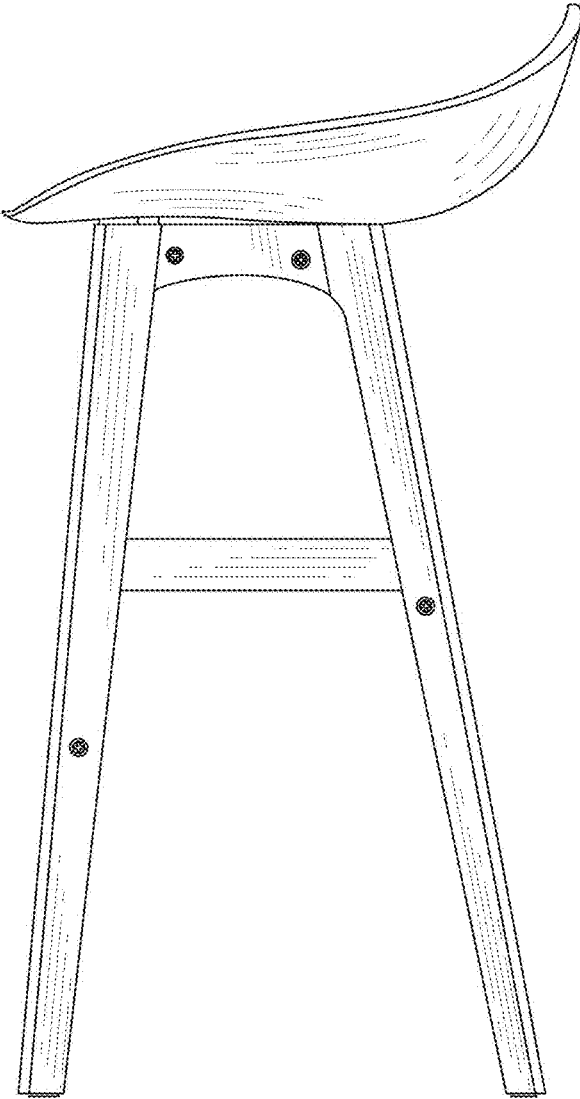


Fig.5

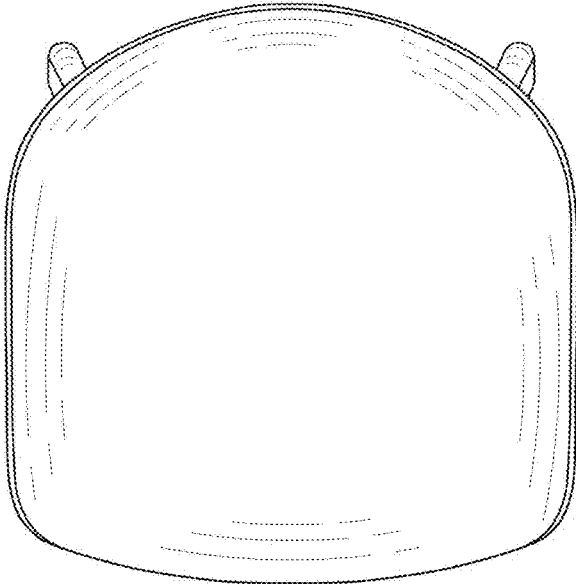


Fig.6

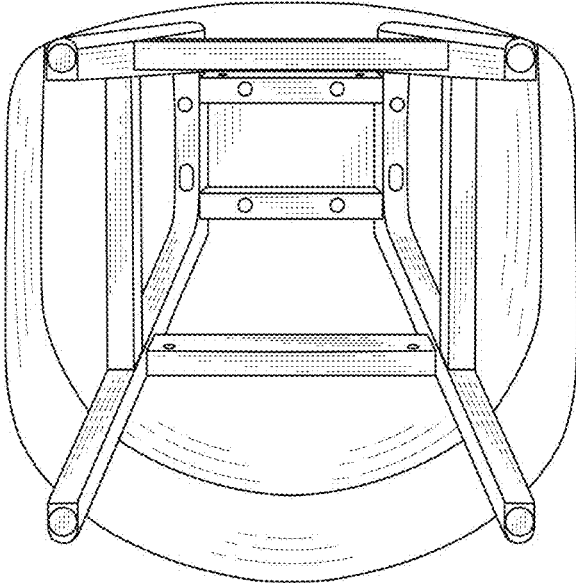


Fig.7