



US0D1027353S

(12) **United States Design Patent**
Reid

(10) **Patent No.:** **US D1,027,353 S**

(45) **Date of Patent:** **** May 14, 2024**

- (54) **VACUUM LIFT FOR GOODS**
- (71) Applicant: **MQUIP Group Inc.**, Burlington (CA)
- (72) Inventor: **James Allen Douglas Reid**, Burlington (CA)

D934,524 S	10/2021	Rotem
D953,681 S	5/2022	Tsfasman
D979,877 S	2/2023	Marco
D984,776 S	4/2023	Wu et al.
2020/0338695 A1	10/2020	Rotem
2023/0126647 A1	4/2023	Sparks, II

(73) Assignee: **MQUIP GROUP INC.**, Burlington (CA)

(**) Term: **15 Years**

(21) Appl. No.: **29/903,450**

(22) Filed: **Sep. 23, 2023**

Related U.S. Application Data

(62) Division of application No. 35/515,106, filed on Jul. 5, 2022 (U.S. filing date under 35 U.S.C. 384), and having an international filing date of Jul. 5, 2022.

(51) **LOC (14) Cl.** **12-05**

(52) **U.S. Cl.**
USPC **D34/28**

(58) **Field of Classification Search**
USPC D34/28
CPC ... B66C 1/0281; B66C 1/0231; B66C 1/0293;
B66C 1/0212; H01H 9/0214; H01H
9/0235

See application file for complete search history.

(56) **References Cited**

U.S. PATENT DOCUMENTS

3,627,369 A	12/1971	Nixon
D933,927 S	10/2021	Rotem

OTHER PUBLICATIONS

Weha Vacuum lifter T300, site visited Sep. 27, 2023, <https://www.masonrysupplies.co.uk/product/weha-vacuum-lifter-t300-rough-stone/> (Year: 2023).

Stone Concrete slab vacuum lifters, site visited Sep. 27, 2023, <https://cherrypicker.ie/vacuum-lifting/stone-concrete-slab-vacuum-lifters/> (Year: 2023).

Hand Pump Vacuum lifter AVLHP240480, site visited Sep. 27, 2023, <https://www.stoneadd.com/Hand-Pump-Vacuum-Lifter-AVLHP240480-P17540> (Year: 2023).

Primary Examiner — Cynthia Ramirez

(74) *Attorney, Agent, or Firm* — Resolute Legal PLLC

(57)

CLAIM

The ornamental design for vacuum lift for goods, as shown and described.

DESCRIPTION

FIG. 1 is a perspective view of a vacuum lift for goods;

FIG. 2 is a top plan view thereof;

FIG. 3 is a rear elevational view thereof;

FIG. 4 is a front elevational view thereof;

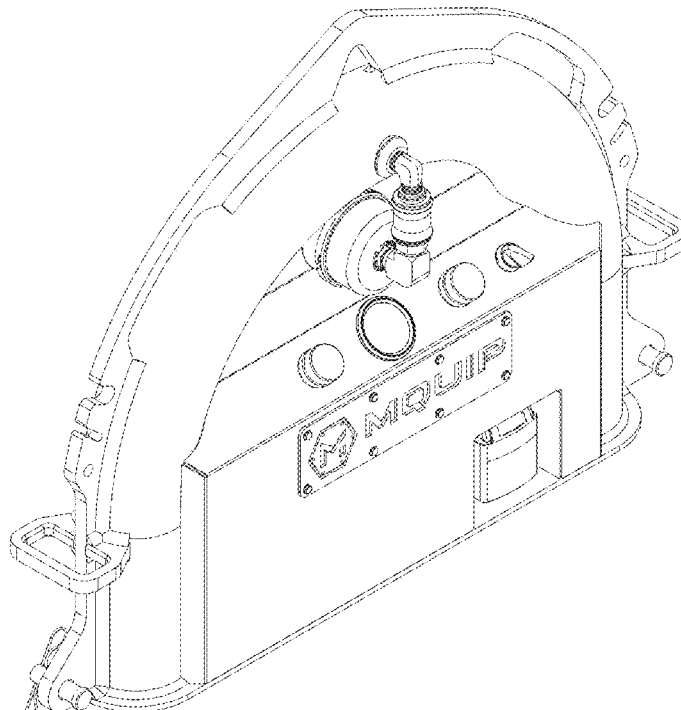
FIG. 5 is a right elevational view thereof;

FIG. 6 is a left elevational view thereof; and,

FIG. 7 is a bottom plan view thereof.

The broken lines in the figures show portions of the vacuum lift for goods which form no part of the claimed design.

1 Claim, 7 Drawing Sheets



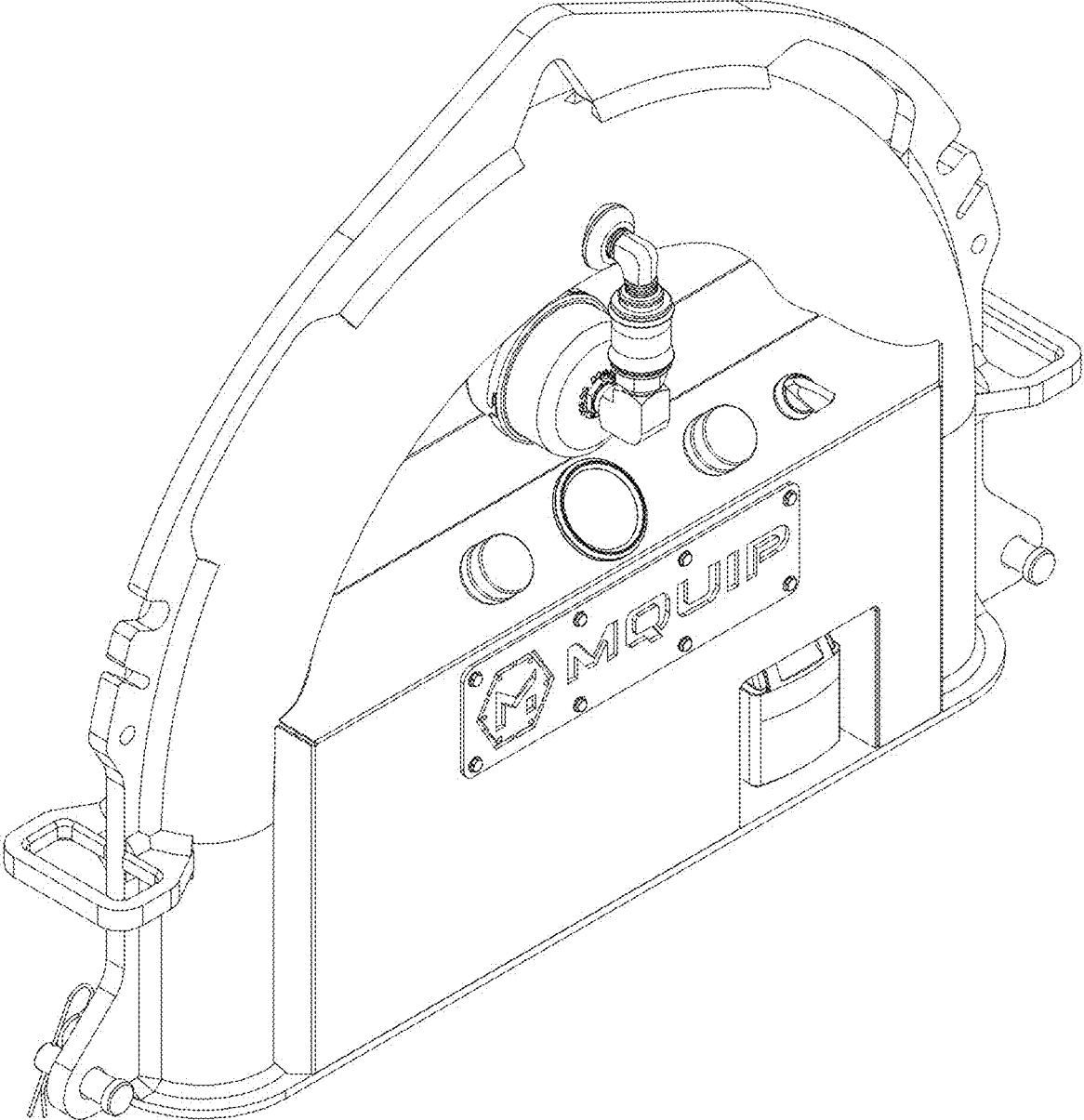


FIG. 1

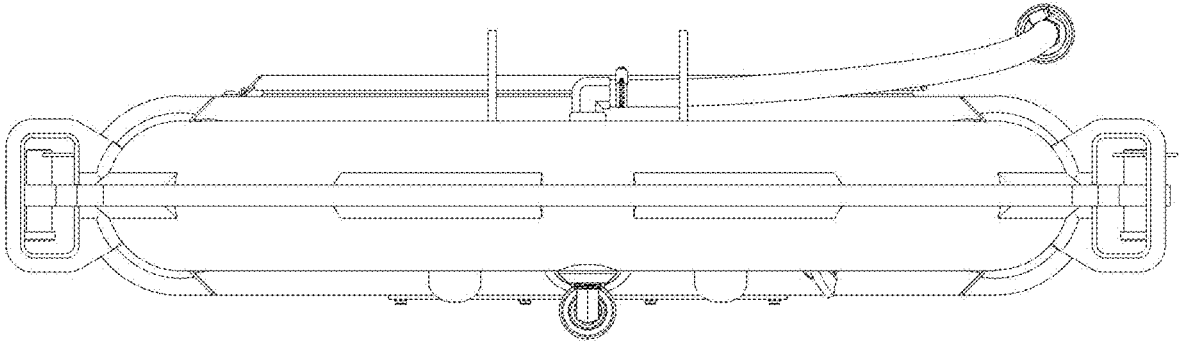


FIG. 2

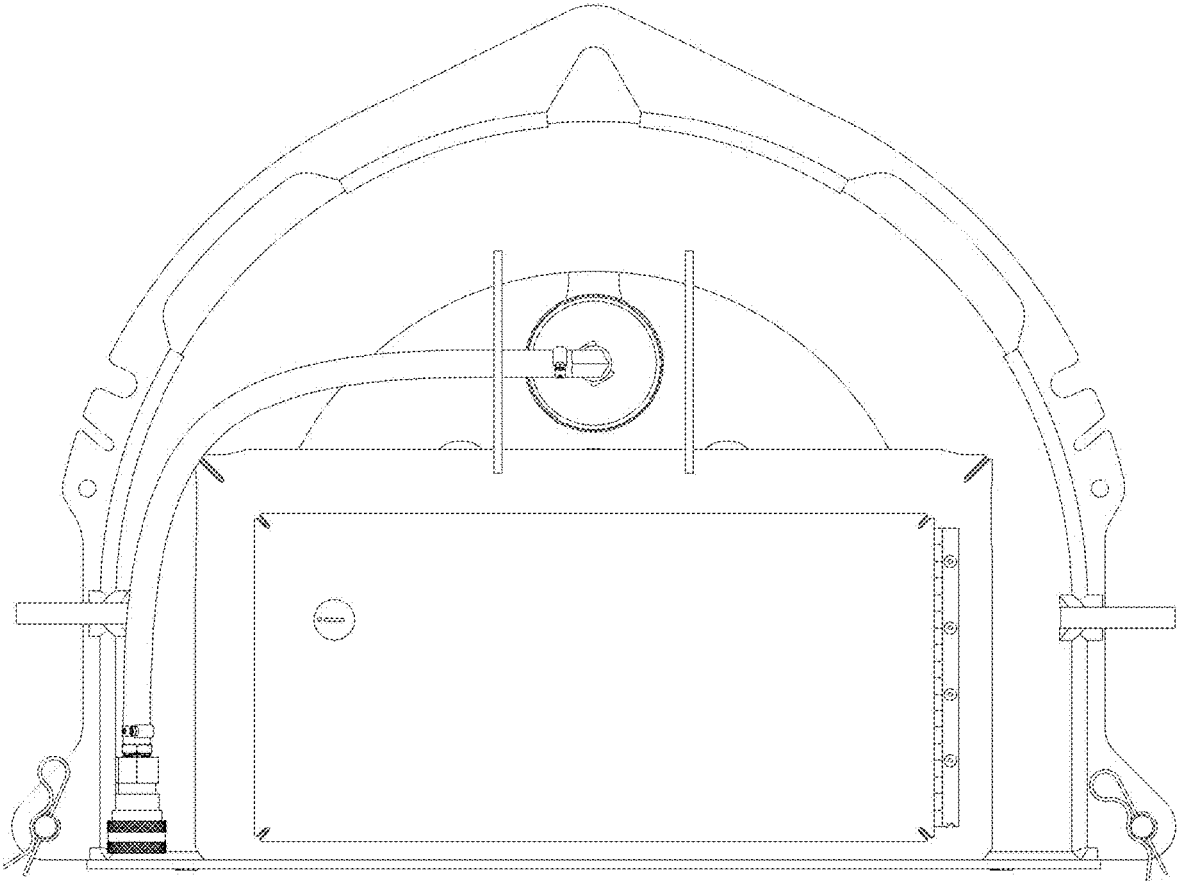


FIG. 3

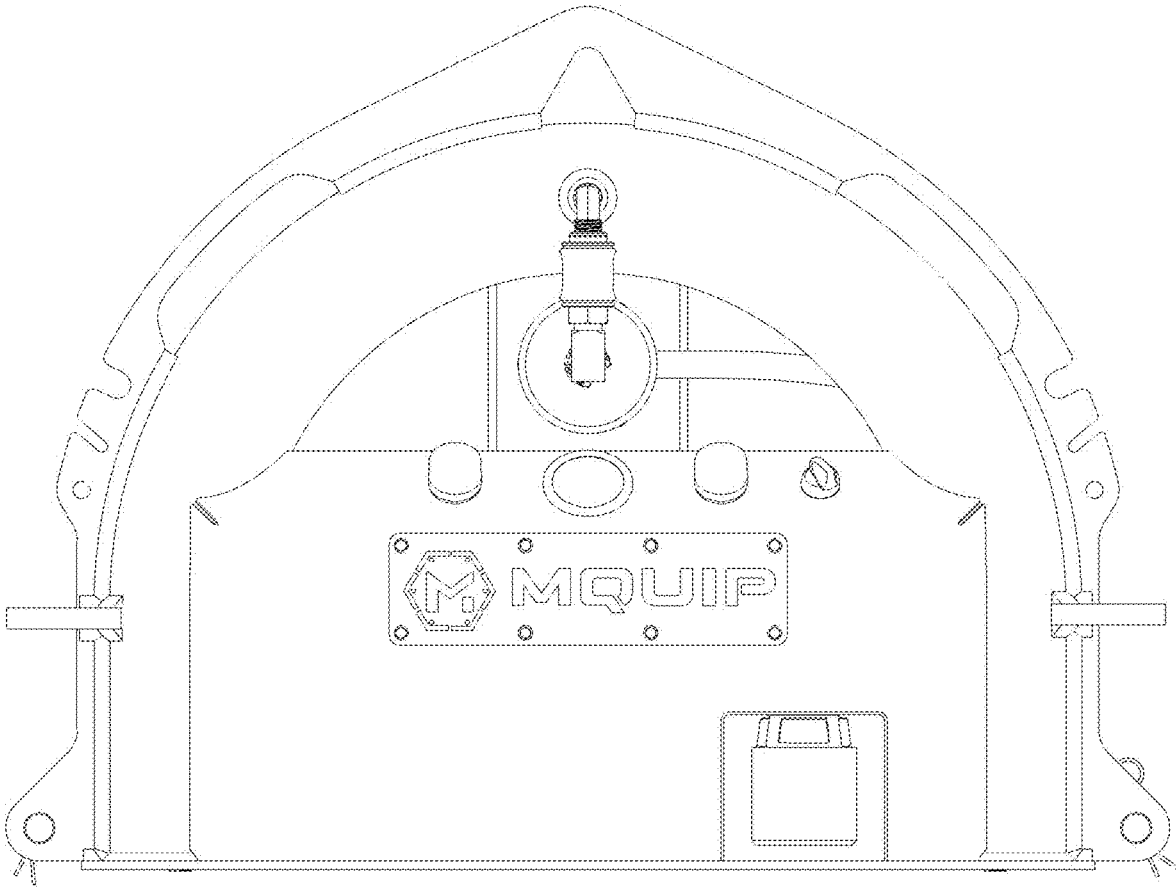


FIG. 4

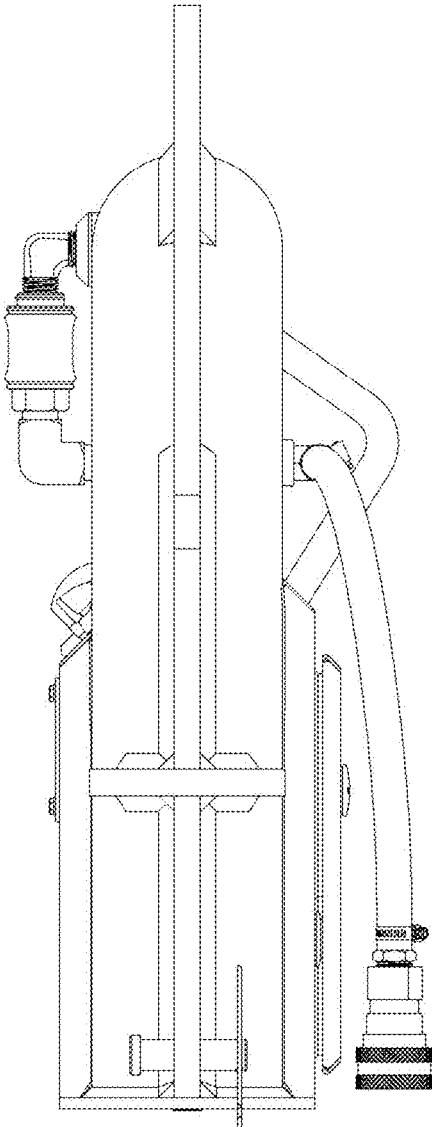


FIG. 5

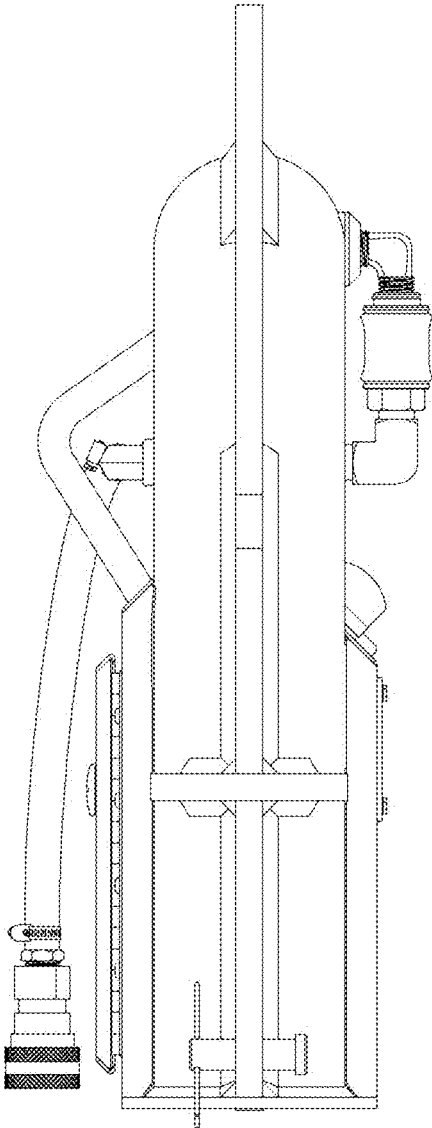


FIG. 6

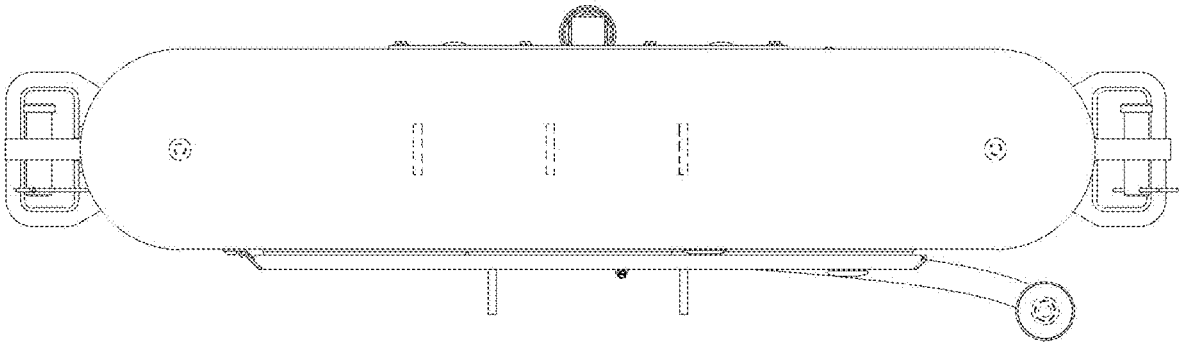


FIG. 7