



US00D831843S

(12) **United States Design Patent**
Lentz et al.

(10) **Patent No.:** **US D831,843 S**

(45) **Date of Patent:** **** Oct. 23, 2018**

(54) **SINGLE PIECE REAGENT HOLDER**

FOREIGN PATENT DOCUMENTS

(71) Applicant: **BECTON, DICKINSON AND COMPANY**, Franklin Lakes, NJ (US)

CA 2294819 1/1999
CN 1968754 A 5/2007

(Continued)

(72) Inventors: **Ammon David Lentz**, York, PA (US);
Richard St. Pierre, Québec (CA);
Dwight Livingston, Fallston, MD (US);
Adam Bruce Steel, Fallston, MD (US)

OTHER PUBLICATIONS

Oh K.W. et al., "A Review of Microvalves", *J Micromech Microeng.* (2006) 16:R13-R39.

(73) Assignee: **Becton, Dickinson and Company**, Franklin Lakes, NJ (US)

Primary Examiner — Anhdao Doan

(74) *Attorney, Agent, or Firm* — Knobbe Martens Olson & Bear LLP

(**) Term: **15 Years**

(21) Appl. No.: **29/540,566**

(57) **CLAIM**

(22) Filed: **Sep. 25, 2015**

The ornamental design for a single piece reagent holder, substantially as shown and described.

Related U.S. Application Data

DESCRIPTION

(62) Division of application No. 29/470,378, filed on Oct. 21, 2013, now Pat. No. Des. 742,027, which is a (Continued)

FIG. 1 is a perspective view of a single piece reagent holder showing a first embodiment of the new design;
FIG. 2 is a first side view thereof;
FIG. 3 is a second side view thereof;
FIG. 4 is a top plan view thereof;
FIG. 5 is a bottom plan view thereof;
FIG. 6 is a first end view thereof;
FIG. 7 is a second end view thereof;
FIG. 8 is a perspective view of a single piece reagent holder showing a second embodiment of the new design;
FIG. 9 is a first side view thereof;
FIG. 10 is a second side view thereof;
FIG. 11 is a top plan view thereof;
FIG. 12 is a bottom plan view thereof;
FIG. 13 is a first end view thereof; and,
FIG. 14 is a second end view thereof.

(51) **LOC (11) Cl.** **24-01**
(52) **U.S. Cl.**
USPC **D24/224**

(58) **Field of Classification Search**
USPC D24/216–217, 219, 223–226, 227,
D24/229–231, 232, 107, 121–123;
D10/81; 422/500, 547, 554, 556;
435/288.1, 304.1, 304.3
CPC G01N 35/023; G01N 35/026; G01N
2035/0401; B01L 3/527; B01L 3/5082;
B01L 2300/0832
See application file for complete search history.

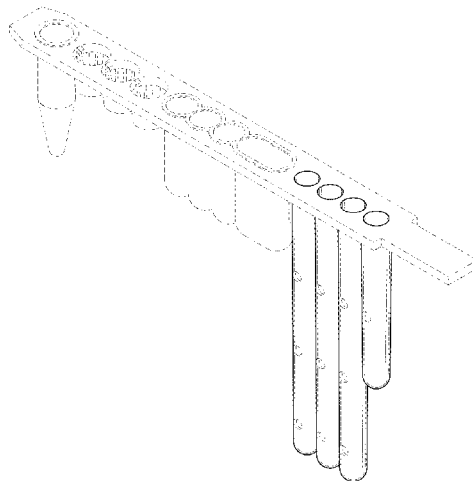
The broken lines in the drawing views are included for the purpose of illustrating portions of the single piece reagent holder that form no part of the claimed design.

(56) **References Cited**

U.S. PATENT DOCUMENTS

1,434,314 A 10/1922 Raich
1,616,419 A 2/1927 Wilson
(Continued)

1 Claim, 10 Drawing Sheets



Related U.S. Application Data

division of application No. 29/403,131, filed on Sep. 30, 2011, now Pat. No. Des. 692,162.

(56)

References Cited

U.S. PATENT DOCUMENTS

1,733,401 A 8/1930 Lovekin
 D189,404 S 12/1960 Nicolle
 3,050,239 A * 8/1962 Williams, Jr. B01L 3/5021
 422/509
 3,528,449 A 9/1970 Witte et al.
 3,813,316 A 5/1974 Chakrabarty et al.
 3,905,772 A 9/1975 Hartnett et al.
 3,985,649 A 10/1976 Eddelman
 4,018,089 A 4/1977 Dzula et al.
 4,018,652 A 4/1977 Lanham et al.
 4,038,192 A 7/1977 Serur
 4,055,395 A 10/1977 Honkawa et al.
 D249,706 S 9/1978 Adamski
 4,139,005 A 2/1979 Dickey
 D252,157 S 6/1979 Kronish et al.
 D252,341 S 7/1979 Thomas
 D254,687 S 4/1980 Fadler et al.
 4,212,744 A 7/1980 Oota
 D261,033 S 9/1981 Armbruster
 D261,173 S 10/1981 Armbruster
 4,301,412 A 11/1981 Hill et al.
 4,439,526 A 3/1984 Columbus
 4,457,329 A 7/1984 Werley et al.
 4,466,740 A 8/1984 Kano et al.
 4,472,357 A * 9/1984 Levy B01L 3/5453
 206/459.5
 4,504,582 A 3/1985 Swann
 4,522,786 A 6/1985 Ebersole
 D279,817 S 7/1985 Chen et al.
 D282,208 S 1/1986 Lowry
 4,599,315 A 7/1986 Terasaki et al.
 4,612,873 A 9/1986 Eberle
 4,612,959 A 9/1986 Costello
 D288,478 S 2/1987 Carlson et al.
 4,647,432 A 3/1987 Wakatake
 4,654,127 A 3/1987 Baker et al.
 4,673,657 A 6/1987 Christian
 4,678,752 A 7/1987 Thorne et al.
 4,683,195 A 7/1987 Mullis et al.
 4,683,202 A 7/1987 Mullis
 D292,735 S 11/1987 Lovborg
 4,720,374 A 1/1988 Ramachandran
 4,724,207 A 2/1988 Hou et al.
 4,798,693 A 1/1989 Mase et al.
 4,800,022 A 1/1989 Leonard
 4,827,944 A * 5/1989 Nugent B01L 3/5082
 422/914
 4,841,786 A 6/1989 Schulz
 D302,294 S 7/1989 Hillman
 4,855,110 A 8/1989 Marker et al.
 4,871,779 A 10/1989 Killat et al.
 4,895,650 A 1/1990 Wang
 4,919,829 A 4/1990 Gates et al.
 4,921,809 A 5/1990 Schiff et al.
 4,935,342 A 6/1990 Seligson et al.
 4,946,562 A 8/1990 Guruswamy
 4,949,742 A 8/1990 Rando et al.
 D310,413 S 9/1990 Bigler et al.
 4,963,498 A 10/1990 Hillman
 4,967,950 A 11/1990 Legg et al.
 D312,692 S 12/1990 Bradley
 4,978,502 A 12/1990 Dole et al.
 4,978,622 A 12/1990 Mishell et al.
 4,989,626 A 2/1991 Takagi et al.
 5,001,417 A 3/1991 Pumphrey et al.
 5,004,583 A 4/1991 Guruswamy et al.
 5,048,554 A 9/1991 Kremer
 5,053,199 A 10/1991 Keiser et al.
 5,060,823 A 10/1991 Perlman
 5,061,336 A 10/1991 Soane

5,064,618 A 11/1991 Baker et al.
 5,071,531 A 12/1991 Soane
 5,091,328 A 2/1992 Miller
 D324,426 S 3/1992 Fan et al.
 5,096,669 A 3/1992 Lauks et al.
 D325,638 S 4/1992 Sloat et al.
 5,126,002 A 6/1992 Iwata et al.
 5,126,022 A 6/1992 Soane et al.
 D328,135 S 7/1992 Fan et al.
 D328,794 S 8/1992 Frenkel et al.
 5,135,627 A 8/1992 Soane
 5,135,872 A 8/1992 Pouletty et al.
 5,147,606 A 9/1992 Charlton et al.
 5,169,512 A 12/1992 Wiedenmann et al.
 D333,522 S 2/1993 Gianino
 5,186,339 A 2/1993 Heissler
 5,192,507 A 3/1993 Taylor et al.
 5,208,163 A 5/1993 Charlton et al.
 5,217,694 A 6/1993 Gibler et al.
 5,223,226 A 6/1993 Wittmer et al.
 5,229,297 A 7/1993 Schnipelsky et al.
 D338,275 S 8/1993 Fischer et al.
 5,250,263 A 10/1993 Manz
 5,252,743 A 10/1993 Barrett et al.
 5,256,376 A 10/1993 Callan et al.
 5,275,787 A 1/1994 Yuguchi et al.
 5,282,950 A 2/1994 Dietze et al.
 5,296,375 A 3/1994 Kricka et al.
 5,304,477 A 4/1994 Nagoh et al.
 5,304,487 A 4/1994 Wilding et al.
 D347,478 S 5/1994 Pinkney
 5,311,896 A 5/1994 Kaartinen et al.
 5,311,996 A 5/1994 Duffy et al.
 5,316,727 A 5/1994 Suzuki et al.
 5,327,038 A 7/1994 Culp
 5,339,486 A 8/1994 Persic, Jr.
 D351,475 S 10/1994 Gerber
 D351,913 S 10/1994 Hieb et al.
 5,364,591 A 11/1994 Green et al.
 5,372,946 A 12/1994 Cusak et al.
 5,374,395 A 12/1994 Robinson
 5,389,339 A 2/1995 Petschek et al.
 D356,232 S 3/1995 Armstrong et al.
 5,397,709 A 3/1995 Berndt
 5,401,465 A 3/1995 Smethers et al.
 5,411,708 A 5/1995 Moschetta et al.
 5,414,245 A 5/1995 Hackleman
 5,415,839 A 5/1995 Zaun et al.
 5,416,000 A 5/1995 Allen et al.
 5,422,271 A 6/1995 Chen et al.
 5,422,284 A 6/1995 Lau
 5,427,946 A 6/1995 Kricka et al.
 5,443,791 A 8/1995 Cathcart et al.
 5,474,796 A 12/1995 Brennan
 D366,116 S 1/1996 Biskupski
 5,486,335 A 1/1996 Wilding et al.
 5,494,639 A 2/1996 Grzegorzewski
 5,498,392 A 3/1996 Wilding et al.
 5,503,803 A 4/1996 Brown
 5,516,410 A 5/1996 Schneider et al.
 5,519,635 A 5/1996 Miyake et al.
 5,529,677 A 6/1996 Schneider et al.
 5,559,432 A 9/1996 Logue
 5,565,171 A 10/1996 Dovichi et al.
 5,569,364 A 10/1996 Hooper et al.
 5,578,270 A 11/1996 Reichler et al.
 5,578,818 A 11/1996 Kain et al.
 5,579,928 A 12/1996 Anukwuem
 5,580,523 A 12/1996 Bard
 5,582,884 A 12/1996 Ball et al.
 5,582,988 A 12/1996 Backus et al.
 5,585,069 A 12/1996 Zanucchi et al.
 5,585,089 A 12/1996 Queen et al.
 5,585,242 A 12/1996 Bouma et al.
 5,587,128 A 12/1996 Wilding et al.
 5,589,136 A 12/1996 Northrup et al.
 5,593,838 A 1/1997 Zanzucchi et al.
 5,595,708 A 1/1997 Berndt
 5,599,432 A 2/1997 Manz et al.

(56)

References Cited

U.S. PATENT DOCUMENTS

5,599,503	A	2/1997	Manz et al.	5,863,708	A	1/1999	Zanzucchi et al.
5,599,667	A	2/1997	Arnold, Jr. et al.	5,863,801	A	1/1999	Southgate et al.
5,601,727	A	2/1997	Bormann et al.	5,866,345	A	2/1999	Wilding et al.
5,603,351	A	2/1997	Cherukuri et al.	5,869,004	A	2/1999	Parce et al.
5,605,662	A	2/1997	Heller et al.	5,869,244	A	2/1999	Martin et al.
5,609,910	A	3/1997	Hackleman	5,872,010	A	2/1999	Karger et al.
D378,782	S	4/1997	LaBarbera et al.	5,872,623	A	2/1999	Stabile et al.
5,628,890	A	5/1997	Carter et al.	5,874,046	A	2/1999	Megerle
5,630,920	A	5/1997	Friese et al.	5,876,675	A	3/1999	Kennedy
5,631,337	A	5/1997	Sassi et al.	5,880,071	A	3/1999	Parce et al.
5,632,876	A	5/1997	Zanzucchi et al.	5,882,465	A	3/1999	McReynolds
5,632,957	A	5/1997	Heller et al.	5,883,211	A	3/1999	Sassi et al.
5,635,358	A	6/1997	Wilding et al.	5,885,432	A	3/1999	Hooper et al.
5,637,469	A	6/1997	Wilding et al.	5,885,470	A	3/1999	Parce et al.
5,639,423	A	6/1997	Northrup et al.	5,895,762	A	4/1999	Greenfield et al.
5,639,428	A	6/1997	Cottingham	5,900,130	A	5/1999	Benvegnu et al.
5,643,738	A	7/1997	Zanzucchi et al.	5,912,124	A	6/1999	Kumar
5,645,801	A	7/1997	Bouma et al.	5,912,134	A	6/1999	Shartle
5,646,039	A	7/1997	Northrup et al.	5,914,229	A	6/1999	Loewy
5,646,049	A	7/1997	Tayi	5,916,522	A	6/1999	Boyd et al.
5,647,994	A	7/1997	Tuunanen et al.	5,916,776	A	6/1999	Kumar
5,651,839	A	7/1997	Rauf	5,919,646	A	7/1999	Okun et al.
5,652,141	A	7/1997	Henco et al.	5,919,711	A	7/1999	Boyd et al.
5,652,149	A	7/1997	Mileaf et al.	5,922,591	A	7/1999	Anderson et al.
D382,346	S	8/1997	Buhler et al.	5,927,547	A	7/1999	Papen et al.
D382,647	S	8/1997	Staples et al.	5,928,880	A	7/1999	Wilding et al.
5,667,976	A	9/1997	Van Ness et al.	5,929,208	A	7/1999	Heller et al.
5,671,303	A	9/1997	Shieh et al.	D413,391	S	8/1999	Lapeus et al.
5,674,394	A	10/1997	Whitmore	5,932,799	A	8/1999	Moles
5,674,742	A	10/1997	Northrup et al.	5,935,401	A	8/1999	Amigo
5,681,484	A	10/1997	Zanzucchi et al.	5,939,291	A	8/1999	Loewy et al.
5,681,529	A	10/1997	Taguchi et al.	5,939,312	A	8/1999	Baier et al.
5,683,657	A	11/1997	Mian	5,942,443	A	8/1999	Parce et al.
5,699,157	A	12/1997	Parce et al.	D413,677	S	9/1999	Dumitrescu et al.
5,700,637	A	12/1997	Southern	D414,271	S	9/1999	Mendoza
5,705,813	A	1/1998	Apffel et al.	5,948,227	A	9/1999	Dubrow
5,721,136	A	2/1998	Finney et al.	5,948,363	A	9/1999	Gaillard
5,725,831	A	3/1998	Reichler et al.	5,948,673	A	9/1999	Cottingham
5,726,026	A	3/1998	Wilding et al.	5,955,028	A	9/1999	Chow
5,726,404	A	3/1998	Brody	5,955,029	A	9/1999	Wilding et al.
5,726,944	A	3/1998	Pelley et al.	5,957,579	A	9/1999	Kopf-Sill et al.
5,731,212	A	3/1998	Gavin et al.	5,958,203	A	9/1999	Parce et al.
5,744,366	A	4/1998	Kricka et al.	5,958,694	A	9/1999	Nikiforov
5,746,978	A	5/1998	Bienhaus et al.	5,959,221	A	9/1999	Boyd et al.
5,747,666	A	5/1998	Willis	5,959,291	A	9/1999	Jensen
5,750,015	A	5/1998	Soane et al.	5,964,995	A	10/1999	Nikiforov et al.
5,755,942	A	5/1998	Zanzucchi et al.	5,964,997	A	10/1999	McBride
5,762,874	A	6/1998	Seaton et al.	5,965,001	A	10/1999	Chow et al.
5,763,262	A	6/1998	Wong et al.	5,965,410	A	10/1999	Chow et al.
5,770,029	A	6/1998	Nelson et al.	5,965,886	A	10/1999	Sauer et al.
5,770,388	A	6/1998	Vorpahl	5,968,745	A	10/1999	Thorp et al.
5,772,966	A	6/1998	Maracas et al.	5,972,187	A	10/1999	Parce et al.
5,779,868	A	7/1998	Parce et al.	5,973,138	A	10/1999	Collis
5,783,148	A	7/1998	Cottingham et al.	D417,009	S	11/1999	Boyd
5,787,032	A	7/1998	Heller et al.	5,976,336	A	11/1999	Dubrow et al.
5,788,814	A	8/1998	Sun et al.	5,980,704	A	11/1999	Cherukuri et al.
5,800,600	A	9/1998	Lima-Marques et al.	5,980,719	A	11/1999	Cherukuri et al.
5,800,690	A	9/1998	Chow et al.	5,981,735	A	11/1999	Thatcher et al.
5,804,436	A	9/1998	Okun et al.	5,989,402	A	11/1999	Chow et al.
D399,959	S	10/1998	Prokop et al.	5,992,820	A	11/1999	Fare et al.
5,827,481	A	10/1998	Bente et al.	5,993,611	A	11/1999	Moroney, III et al.
5,842,106	A	11/1998	Thaler et al.	5,993,750	A	11/1999	Ghosh et al.
5,842,787	A	12/1998	Kopf-Sill et al.	5,997,708	A	12/1999	Craig
5,846,396	A	12/1998	Zanzucchi et al.	6,001,229	A	12/1999	Ramsey
5,846,493	A	* 12/1998	Bankier	6,001,231	A	12/1999	Kopf-Sill
				6,001,307	A	12/1999	Naka et al.
				6,004,515	A	12/1999	Parce et al.
				6,007,690	A	12/1999	Nelson et al.
				6,010,607	A	1/2000	Ramsey
				6,010,608	A	1/2000	Ramsey
				6,010,627	A	1/2000	Hood, III
5,849,208	A	12/1998	Hayes et al.	6,012,902	A	1/2000	Parce
5,849,486	A	12/1998	Heller et al.	D420,747	S	2/2000	Dumitrescu et al.
5,849,489	A	12/1998	Heller	D421,130	S	2/2000	Cohen et al.
5,849,598	A	12/1998	Wilson et al.	6,024,920	A	2/2000	Cunanan
5,852,495	A	12/1998	Parce	D421,653	S	3/2000	Purcell
5,856,174	A	1/1999	Lipshutz et al.	6,033,546	A	3/2000	Ramsey
5,858,187	A	1/1999	Ramsey et al.	6,033,880	A	3/2000	Haff et al.
5,858,188	A	1/1999	Soane et al.	6,043,080	A	3/2000	Lipshutz et al.
5,863,502	A	1/1999	Southgate et al.				

B01L 3/50255
210/406

(56)

References Cited

U.S. PATENT DOCUMENTS

6,046,056	A	4/2000	Parce et al.	6,303,343	B1	10/2001	Kopf-sill
6,048,734	A	4/2000	Burns et al.	6,306,273	B1	10/2001	Wainright et al.
6,054,034	A	4/2000	Soane et al.	6,306,590	B1	10/2001	Mehta et al.
6,054,277	A	4/2000	Furcht et al.	6,316,774	B1	11/2001	Giebeler et al.
6,056,860	A	5/2000	Amigo et al.	6,319,469	B1	11/2001	Mian et al.
6,057,149	A	5/2000	Burns et al.	6,322,683	B1	11/2001	Wolk et al.
6,062,261	A	5/2000	Jacobson et al.	6,326,083	B1	12/2001	Yang et al.
6,063,341	A	5/2000	Fassbind et al.	6,326,147	B1	12/2001	Oldham et al.
6,063,589	A	5/2000	Kellogg et al.	6,326,211	B1	12/2001	Anderson et al.
6,068,752	A	5/2000	Dubrow et al.	6,334,980	B1	1/2002	Hayes et al.
6,071,478	A	6/2000	Chow	6,337,435	B1	1/2002	Chu et al.
6,074,725	A	6/2000	Kennedy	6,353,475	B1	3/2002	Jensen et al.
6,074,827	A	6/2000	Nelson et al.	6,358,387	B1	3/2002	Kopf-sill et al.
D428,497	S	7/2000	Lapeus et al.	6,366,924	B1	4/2002	Parce
6,086,740	A	7/2000	Kennedy	6,368,561	B1	4/2002	Rutishauser et al.
6,096,509	A	8/2000	Okun et al.	6,368,871	B1	4/2002	Christel et al.
6,100,541	A	8/2000	Nagle et al.	6,370,206	B1	4/2002	Schenk
6,102,897	A	8/2000	Lang	6,375,185	B1	4/2002	Lin
6,103,537	A	8/2000	Ullman et al.	6,375,901	B1	4/2002	Robotti et al.
6,106,685	A	8/2000	McBride et al.	6,379,884	B2	4/2002	Wada et al.
6,110,343	A	8/2000	Ramsey et al.	6,379,929	B1	4/2002	Burns et al.
6,117,398	A	9/2000	Bienhaus et al.	6,379,974	B1	4/2002	Parce et al.
6,123,205	A	9/2000	Dumitrescu et al.	6,382,254	B1	5/2002	Yang et al.
6,123,798	A	9/2000	Gandhi et al.	6,391,541	B1	5/2002	Petersen et al.
6,130,098	A	10/2000	Handique et al.	6,391,623	B1	5/2002	Besemer et al.
6,132,580	A	10/2000	Mathies et al.	6,395,161	B1	5/2002	Schneider et al.
6,132,684	A	10/2000	Marino	6,398,956	B1	6/2002	Coville et al.
6,133,436	A	10/2000	Koster et al.	6,399,025	B1	6/2002	Chow
D433,759	S	11/2000	Mathis et al.	6,399,389	B1	6/2002	Parce et al.
6,143,250	A	11/2000	Tajima	6,399,952	B1	6/2002	Maher et al.
6,149,787	A	11/2000	Chow et al.	6,401,552	B1	6/2002	Elkins
6,149,872	A	11/2000	MacK et al.	6,403,338	B1	6/2002	Knapp et al.
6,156,199	A	12/2000	Zuk, Jr.	6,408,878	B2	6/2002	Unger et al.
6,158,269	A	12/2000	Dorenkott et al.	6,413,401	B1	7/2002	Chow et al.
6,167,910	B1	1/2001	Chow	6,416,642	B1	7/2002	Alajoki et al.
6,168,948	B1	1/2001	Anderson et al.	6,420,143	B1	7/2002	Kopf-sill
6,171,850	B1	1/2001	Nagle et al.	6,425,972	B1	7/2002	McReynolds
6,174,675	B1	1/2001	Chow et al.	D461,906	S	8/2002	Pham
6,180,950	B1	1/2001	Olsen	6,428,987	B2	8/2002	Franzen
D438,311	S	2/2001	Yamanishi et al.	6,430,512	B1	8/2002	Gallagher
6,190,619	B1	2/2001	Kilcoin et al.	6,432,366	B2	8/2002	Ruediger et al.
6,194,563	B1	2/2001	Cruickshank	6,440,725	B1	8/2002	Pourahmadi et al.
D438,632	S	3/2001	Miller	D463,031	S	9/2002	Slomski et al.
D438,633	S	3/2001	Miller	6,444,461	B1	9/2002	Knapp et al.
D439,673	S	3/2001	Brophy et al.	6,447,661	B1	9/2002	Chow et al.
6,197,595	B1	3/2001	Anderson et al.	6,447,727	B1	9/2002	Parce et al.
6,211,989	B1	4/2001	Wulf et al.	6,448,064	B1	9/2002	Vo-Dinh et al.
6,213,151	B1	4/2001	Jacobson et al.	6,453,928	B1	9/2002	Kaplan et al.
6,221,600	B1	4/2001	MacLeod et al.	6,458,259	B1	10/2002	Parce et al.
6,228,635	B1	5/2001	Armstrong et al.	6,461,570	B2	10/2002	Ishihara et al.
6,232,072	B1	5/2001	Fisher	6,465,257	B1	10/2002	Parce et al.
6,235,175	B1	5/2001	Dubrow et al.	6,468,761	B2	10/2002	Yang et al.
6,235,313	B1	5/2001	Mathiowitz et al.	6,472,141	B2	10/2002	Nikiforov
6,235,471	B1	5/2001	Knapp et al.	D466,219	S	11/2002	Wynschenk et al.
6,236,456	B1	5/2001	Giebeler et al.	6,475,364	B1	11/2002	Dubrow et al.
6,236,581	B1	5/2001	Foss et al.	D467,348	S	12/2002	McMichael et al.
6,238,626	B1	5/2001	Higuchi et al.	D467,349	S	12/2002	Niedbala et al.
6,251,343	B1	6/2001	Dubrow et al.	6,488,897	B2	12/2002	Dubrow et al.
6,254,826	B1	7/2001	Acosta et al.	6,495,104	B1	12/2002	Unno et al.
6,259,635	B1	7/2001	Khoury et al.	6,498,497	B1	12/2002	Chow et al.
6,261,431	B1	7/2001	Mathies et al.	6,500,323	B1	12/2002	Chow et al.
6,267,858	B1	7/2001	Parce et al.	6,500,390	B1	12/2002	Boulton et al.
D446,306	S	8/2001	Ochi et al.	D468,437	S	1/2003	McMenamy et al.
6,271,021	B1	8/2001	Burns et al.	6,506,609	B1	1/2003	Wada et al.
6,274,089	B1	8/2001	Chow et al.	6,509,193	B1	1/2003	Tajima
6,280,967	B1	8/2001	Ransom et al.	6,511,853	B1	1/2003	Kopf-sill et al.
6,281,008	B1	8/2001	Komai et al.	D470,595	S	2/2003	Crisanti et al.
6,284,113	B1	9/2001	Bjornson et al.	6,515,753	B2	2/2003	Maher
6,284,470	B1	9/2001	Bitner et al.	6,517,783	B2	2/2003	Horner et al.
6,287,254	B1	9/2001	Dodds	6,520,197	B2	2/2003	Deshmukh et al.
6,287,774	B1	9/2001	Nikiforov	6,521,188	B1	2/2003	Webster
6,291,248	B1	9/2001	Haj-Ahmad	6,524,456	B1	2/2003	Ramsey et al.
6,294,063	B1	9/2001	Becker et al.	6,524,790	B1	2/2003	Kopf-sill et al.
6,302,134	B1	10/2001	Kellogg et al.	D472,324	S	3/2003	Rumore et al.
6,302,304	B1	10/2001	Spencer	6,534,295	B2	3/2003	Tai et al.
				6,537,771	B1	3/2003	Farinas et al.
				6,540,896	B1	4/2003	Manz et al.
				6,544,734	B1	4/2003	Briscoe et al.
				6,547,942	B1	4/2003	Parce et al.

(56)

References Cited

U.S. PATENT DOCUMENTS

6,555,389	B1	4/2003	Ullman et al.	6,852,287	B2	2/2005	Ganesan
6,556,923	B2	4/2003	Gallagher et al.	6,858,185	B1	2/2005	Kopf-sill et al.
D474,279	S	5/2003	Mayer et al.	6,859,698	B2	2/2005	Schmeisser
D474,280	S	5/2003	Niedbala et al.	6,861,035	B2	3/2005	Pham et al.
6,558,916	B2	5/2003	Veerapandian et al.	6,878,540	B2	4/2005	Pourahmadi et al.
6,558,945	B1	5/2003	Kao	6,878,755	B2	4/2005	Singh et al.
6,569,607	B2	5/2003	McReynolds	6,884,628	B2	4/2005	Hubbell et al.
6,572,830	B1	6/2003	Burdon et al.	6,887,693	B2	5/2005	McMillan et al.
6,575,188	B2	6/2003	Parunak	6,893,879	B2	5/2005	Petersen et al.
6,576,459	B2	6/2003	Miles et al.	6,900,889	B2	5/2005	Bjornson et al.
6,579,453	B1	6/2003	Bächler et al.	6,905,583	B2	6/2005	Wainright et al.
6,589,729	B2	7/2003	Chan et al.	6,905,612	B2	6/2005	Dorian et al.
6,592,821	B1	7/2003	Wada et al.	6,906,797	B1	6/2005	Kao et al.
6,597,450	B1	7/2003	Andrews et al.	6,908,594	B1	6/2005	Schaevitz et al.
6,602,474	B1	8/2003	Tajjima	6,911,183	B1	6/2005	Handique et al.
6,613,211	B1	9/2003	Mccormick et al.	6,914,137	B2	7/2005	Baker
6,613,512	B1	9/2003	Kopf-sill et al.	6,915,679	B2	7/2005	Chien et al.
6,613,580	B1	9/2003	Chow et al.	6,918,404	B2	7/2005	Dias da Silva
6,613,581	B1	9/2003	Wada et al.	D508,999	S	8/2005	Fanning et al.
6,614,030	B2	9/2003	Maher et al.	6,939,451	B2	9/2005	Zhao et al.
6,620,625	B2	9/2003	Wolk et al.	6,942,771	B1	9/2005	Kayyem
6,623,860	B2	9/2003	Hu et al.	6,958,392	B2	10/2005	Fomovskaia et al.
6,627,406	B1	9/2003	Singh et al.	D512,155	S	11/2005	Matsumoto
D480,814	S	10/2003	Lafferty et al.	6,964,747	B2	11/2005	Banerjee et al.
6,632,655	B1	10/2003	Mehta et al.	6,977,163	B1	12/2005	Mehta
6,633,785	B1	10/2003	Kasahara et al.	6,984,516	B2	1/2006	Briscoe et al.
D482,796	S	11/2003	Oyama et al.	D515,707	S	2/2006	Sinohara et al.
6,640,981	B2	11/2003	Lafond et al.	D516,221	S	2/2006	Wohlstadter et al.
6,649,358	B1	11/2003	Parce et al.	7,001,853	B1	2/2006	Brown et al.
6,664,104	B2	12/2003	Pourahmadi et al.	7,004,184	B2	2/2006	Handique et al.
6,669,831	B2	12/2003	Chow et al.	D517,554	S	3/2006	Yanagisawa et al.
6,670,153	B2	12/2003	Stern	7,010,391	B2	3/2006	Handique et al.
D484,989	S	1/2004	Gebrian	7,023,007	B2	4/2006	Gallagher
6,672,458	B2	1/2004	Hansen et al.	7,024,281	B1	4/2006	Unno
6,681,616	B2	1/2004	Spaid et al.	7,036,667	B2	5/2006	Greenstein et al.
6,681,788	B2	1/2004	Parce et al.	7,037,416	B2	5/2006	Parce et al.
6,685,813	B2	2/2004	Williams et al.	7,038,472	B1	5/2006	Chien
6,692,700	B2	2/2004	Handique	7,039,527	B2	5/2006	Tripathi et al.
6,695,009	B2	2/2004	Chien et al.	7,040,144	B2	5/2006	Spaid et al.
6,699,713	B2	3/2004	Benett et al.	7,041,258	B2	5/2006	Desmond et al.
6,706,519	B1	3/2004	Kellogg et al.	7,049,558	B2	5/2006	Baer et al.
6,720,148	B1	4/2004	Nikiforov	D523,153	S	6/2006	Akashi et al.
6,730,206	B2	5/2004	Ricco et al.	7,055,695	B2	6/2006	Greenstein et al.
6,733,645	B1	5/2004	Chow	7,060,171	B1	6/2006	Nikiforov et al.
6,734,401	B2	5/2004	Bedingham et al.	7,066,586	B2	6/2006	da Silva
6,737,026	B1	5/2004	Bergh et al.	7,069,952	B1	7/2006	McReynolds et al.
6,740,518	B1	5/2004	Duong et al.	7,072,036	B2	7/2006	Jones et al.
D491,272	S	6/2004	Alden et al.	7,099,778	B2	8/2006	Chien
D491,273	S	6/2004	Biegler et al.	D528,215	S	9/2006	Malmsater
D491,276	S	6/2004	Langille	7,101,467	B2	9/2006	Spaid
6,750,661	B2	6/2004	Brooks et al.	7,105,304	B1	9/2006	Nikiforov et al.
6,752,966	B1	6/2004	Chazan	D531,321	S	10/2006	Godfrey et al.
6,756,019	B1	6/2004	Dubrow et al.	7,118,910	B2	10/2006	Unger et al.
6,764,859	B1	7/2004	Kreuwel et al.	7,138,032	B2	11/2006	Gandhi et al.
6,766,817	B2	7/2004	da Silva	D534,280	S	12/2006	Gomm et al.
6,773,567	B1	8/2004	Wolk	7,148,043	B2	12/2006	Kordunsky et al.
6,777,184	B2	8/2004	Nikiforov et al.	7,150,814	B1	12/2006	Parce et al.
6,783,962	B1	8/2004	Olander et al.	7,150,999	B1	12/2006	Shuck
D495,805	S	9/2004	Lea et al.	D535,403	S	1/2007	Isozaki et al.
6,787,015	B2	9/2004	Lackritz et al.	7,160,423	B2	1/2007	Chien et al.
6,787,016	B2	9/2004	Tan et al.	7,161,356	B1	1/2007	Chien
6,787,111	B2	9/2004	Roach et al.	7,169,277	B2	1/2007	Ausserer et al.
6,790,328	B2	9/2004	Jacobson et al.	7,169,618	B2	1/2007	Skold
6,790,330	B2	9/2004	Gascoyne et al.	D537,951	S	3/2007	Okamoto et al.
6,811,668	B1	11/2004	Berndt et al.	D538,436	S	3/2007	Patadia et al.
6,818,113	B2	11/2004	Williams et al.	7,192,557	B2	3/2007	Wu et al.
6,819,027	B2	11/2004	Saraf	7,195,986	B1	3/2007	Bousse et al.
6,824,663	B1	11/2004	Boone	7,205,154	B2	4/2007	Corson
D499,813	S	12/2004	Wu	7,208,125	B1	4/2007	Dong
D500,142	S	12/2004	Crisanti et al.	7,235,406	B1	6/2007	Woudenberg et al.
D500,363	S	12/2004	Fanning et al.	7,247,274	B1	7/2007	Chow
6,827,831	B1	12/2004	Chow et al.	D548,841	S	8/2007	Brownell et al.
6,827,906	B1	12/2004	Bjornson et al.	D549,827	S	8/2007	Maeno et al.
6,838,156	B1	1/2005	Neyer et al.	7,252,928	B1	8/2007	Hafeman et al.
6,838,680	B2	1/2005	Maher et al.	7,270,786	B2	9/2007	Parunak et al.
				D554,069	S	10/2007	Bolotin et al.
				D554,070	S	10/2007	Bolotin et al.
				7,276,208	B2	10/2007	Sevigny et al.
				7,276,330	B2	10/2007	Chow et al.

(56)

References Cited

U.S. PATENT DOCUMENTS							
7,288,228	B2	10/2007	Lefebvre	8,710,211	B2	4/2014	Brahmasandra et al.
D556,914	S	12/2007	Okamoto et al.	8,734,733	B2	5/2014	Handique
7,303,727	B1	12/2007	Dubrow et al.	D710,024	S	7/2014	Guo
D559,995	S	1/2008	Handique et al.	8,765,076	B2	7/2014	Handique et al.
7,323,140	B2	1/2008	Handique et al.	8,852,862	B2	10/2014	Wu et al.
7,332,130	B2	2/2008	Handique	8,883,490	B2	11/2014	Handique et al.
7,338,760	B2	3/2008	Gong et al.	8,894,947	B2	11/2014	Ganesan et al.
D566,291	S	4/2008	Parunak et al.	8,895,311	B1	11/2014	Handique et al.
7,351,377	B2	4/2008	Chazan et al.	D729,404	S	5/2015	Teich et al.
D569,526	S	5/2008	Duffy et al.	9,028,773	B2	5/2015	Ganesan
7,374,949	B2	5/2008	Kuriger	9,040,288	B2	5/2015	Handique et al.
7,390,460	B2	6/2008	Osawa et al.	9,051,604	B2	6/2015	Handique
7,419,784	B2	9/2008	Dubrow et al.	9,080,207	B2	7/2015	Handique et al.
7,422,669	B2	9/2008	Jacobson et al.	D742,027	S	10/2015	Lentz et al.
7,440,684	B2	10/2008	Spaid et al.	9,186,677	B2	11/2015	Williams et al.
7,476,313	B2	1/2009	Siddiqi	9,217,143	B2	12/2015	Brahmasandra et al.
7,480,042	B1	1/2009	Phillips et al.	9,222,954	B2	12/2015	Lentz et al.
7,494,577	B2	2/2009	Williams et al.	9,238,223	B2	1/2016	Handique
7,494,770	B2	2/2009	Wilding et al.	9,259,734	B2	2/2016	Williams et al.
7,514,046	B2	4/2009	Kechagia et al.	9,259,735	B2	2/2016	Handique et al.
7,518,726	B2	4/2009	Rulison et al.	9,347,586	B2	5/2016	Williams et al.
7,521,186	B2	4/2009	Mehta	9,480,983	B2	11/2016	Lentz et al.
7,527,769	B2	5/2009	Bunch et al.	9,528,142	B2	12/2016	Handique
D595,423	S	6/2009	Johansson et al.	9,618,139	B2	4/2017	Handique
7,553,671	B2	6/2009	Sinclair et al.	D787,008	S	6/2017	Duffy et al.
D596,312	S	7/2009	Giraud et al.	9,670,528	B2	6/2017	Handique et al.
D598,566	S	8/2009	Allaer	9,677,121	B2	6/2017	Ganesan et al.
D599,234	S	9/2009	Ito	9,701,957	B2	7/2017	Wilson et al.
7,595,197	B2	9/2009	Brasseur	9,745,623	B2	8/2017	Steel
7,604,938	B2	10/2009	Takahashi et al.	9,765,389	B2	9/2017	Gubatayao et al.
7,635,588	B2	12/2009	King et al.	9,802,199	B2	10/2017	Handique et al.
7,645,581	B2	1/2010	Knapp et al.	9,815,057	B2	11/2017	Handique
7,670,559	B2	3/2010	Chien et al.	2001/0005489	A1	6/2001	Roach et al.
7,674,431	B2	3/2010	Ganesan	2001/0012492	A1	8/2001	Acosta et al.
7,689,022	B2	3/2010	Weiner et al.	2001/0016358	A1	8/2001	Osawa et al.
7,704,735	B2	4/2010	Facer et al.	2001/0021355	A1	9/2001	Baugh et al.
7,723,123	B1	5/2010	Murphy et al.	2001/0023848	A1	9/2001	Gjerde et al.
D618,820	S	6/2010	Wilson et al.	2001/0038450	A1	11/2001	McCaffrey et al.
7,727,371	B2	6/2010	Kennedy et al.	2001/0045358	A1	11/2001	Kopf-Sill et al.
7,727,477	B2	6/2010	Boronkay et al.	2001/0046702	A1	11/2001	Schembri
7,744,817	B2	6/2010	Bui	2001/0048899	A1	12/2001	Marouiss et al.
D621,060	S	8/2010	Handique	2001/0055765	A1	12/2001	O'Keefe et al.
D628,305	S	11/2010	Gorrec et al.	2002/0001848	A1	1/2002	Bedingham et al.
7,867,776	B2	1/2011	Kennedy et al.	2002/0008053	A1	1/2002	Hansen et al.
D632,799	S	2/2011	Canner et al.	2002/0009015	A1	1/2002	Laugharn, Jr. et al.
7,892,819	B2	2/2011	Wilding et al.	2002/0014443	A1	2/2002	Hansen et al.
D637,737	S	5/2011	Wilson et al.	2002/0015667	A1	2/2002	Chow
7,955,864	B2	6/2011	Cox et al.	2002/0021983	A1	2/2002	Comte et al.
7,998,708	B2	8/2011	Handique et al.	2002/0022261	A1	2/2002	Anderson et al.
8,071,056	B2	12/2011	Burns et al.	2002/0037499	A1	3/2002	Quake et al.
8,088,616	B2	1/2012	Handique	2002/0039783	A1	4/2002	McMillan et al.
8,105,783	B2	1/2012	Handique	2002/0053399	A1	5/2002	Soane et al.
8,110,158	B2	2/2012	Handique	2002/0054835	A1	5/2002	Robotti et al.
8,133,671	B2	3/2012	Williams et al.	2002/0055167	A1	5/2002	Pourahmadi et al.
8,182,763	B2	5/2012	Duffy et al.	2002/0058332	A1	5/2002	Quake et al.
8,246,919	B2	8/2012	Herchenbach et al.	2002/0060156	A1	5/2002	Mathies et al.
8,273,308	B2	9/2012	Handique et al.	2002/0068357	A1	6/2002	Mathies et al.
D669,597	S	10/2012	Cavada et al.	2002/0068821	A1	6/2002	Gundling
8,287,820	B2	10/2012	Williams et al.	2002/0090320	A1	7/2002	Burow et al.
8,323,584	B2	12/2012	Ganesan	2002/0094303	A1	7/2002	Yamamoto et al.
8,323,900	B2	12/2012	Handique et al.	2002/0131903	A1	9/2002	Ingenhoven et al.
8,324,372	B2	12/2012	Brahmasandra et al.	2002/0141903	A1	10/2002	Parunak et al.
8,415,103	B2	4/2013	Handique	2002/0142471	A1	10/2002	Handique et al.
8,420,015	B2	4/2013	Ganesan et al.	2002/0143297	A1	10/2002	Francavilla et al.
8,440,149	B2	5/2013	Handique	2002/0143437	A1	10/2002	Handique et al.
8,470,586	B2	6/2013	Wu et al.	2002/0155010	A1	10/2002	Karp et al.
8,473,104	B2	6/2013	Handique et al.	2002/0155477	A1	10/2002	Ito
D686,749	S	7/2013	Trump	2002/0169518	A1	11/2002	Luoma et al.
D687,567	S	8/2013	Jungheim D24/224	2002/0187557	A1	12/2002	Hobbs et al.
D692,162	S	10/2013	Lentz et al.	2002/0192808	A1	12/2002	Gambini et al.
8,679,831	B2	3/2014	Handique et al.	2003/0008308	A1	1/2003	Enzelberger et al.
D702,854	S	4/2014	Nakahana et al.	2003/0019522	A1	1/2003	Parunak
8,685,341	B2	4/2014	Ganesan	2003/0022392	A1	1/2003	Hudak
8,703,069	B2	4/2014	Handique et al.	2003/0049174	A1	3/2003	Ganesan
8,709,787	B2	4/2014	Handique	2003/0049833	A1	3/2003	Chen et al.
				2003/0059823	A1	3/2003	Matsunaga et al.
				2003/0064507	A1	4/2003	Gallagher et al.
				2003/0070677	A1	4/2003	Handique et al.
				2003/0072683	A1	4/2003	Stewart et al.

(56)

References Cited

U.S. PATENT DOCUMENTS

2003/0073106	A1	4/2003	Johansen et al.	2006/0041058	A1	2/2006	Yin et al.
2003/0083686	A1	5/2003	Freeman et al.	2006/0057039	A1	3/2006	Morse et al.
2003/0087300	A1	5/2003	Knapp et al.	2006/0057629	A1	3/2006	Kim
2003/0096310	A1	5/2003	Hansen et al.	2006/0062696	A1	3/2006	Chow et al.
2003/0099954	A1	5/2003	Miltenyi et al.	2006/0094108	A1	5/2006	Yoder et al.
2003/0127327	A1	7/2003	Kurnik	2006/0113190	A1	6/2006	Kurnik
2003/0136679	A1	7/2003	Bohn et al.	2006/0133965	A1	6/2006	Tajima et al.
2003/0156991	A1	8/2003	Halas et al.	2006/0134790	A1	6/2006	Tanaka et al.
2003/0186295	A1	10/2003	Colin et al.	2006/0148063	A1	7/2006	Fauzzi et al.
2003/0190608	A1	10/2003	Blackburn et al.	2006/0165558	A1	7/2006	Witty et al.
2003/0199081	A1	10/2003	Wilding et al.	2006/0165559	A1	7/2006	Greenstein et al.
2003/0211517	A1	11/2003	Carulli et al.	2006/0166233	A1	7/2006	Wu et al.
2004/0014202	A1	1/2004	King et al.	2006/0177376	A1	8/2006	Tomalia et al.
2004/0014238	A1	1/2004	Krug et al.	2006/0177855	A1	8/2006	Utermohlen et al.
2004/0018116	A1	1/2004	Desmond et al.	2006/0183216	A1	8/2006	Handique
2004/0018119	A1	1/2004	Massaro	2006/0201887	A1	9/2006	Siddiqi
2004/0022689	A1	2/2004	Wulf et al.	2006/0205085	A1	9/2006	Handique
2004/0029258	A1	2/2004	Heaney et al.	2006/0207944	A1	9/2006	Siddiqi
2004/0029260	A1	2/2004	Hansen et al.	2006/0210435	A1	9/2006	Alavie et al.
2004/0037739	A1	2/2004	McNeely et al.	2006/0223169	A1	10/2006	Bedingham et al.
2004/0053290	A1	3/2004	Terbrueggen et al.	2006/0228734	A1	10/2006	Vann et al.
2004/0063217	A1	4/2004	Webster et al.	2006/0246493	A1	11/2006	Jensen et al.
2004/0065655	A1	4/2004	Brown	2006/0246533	A1	11/2006	Fathollahi et al.
2004/0072278	A1	4/2004	Chou et al.	2006/0269641	A1	11/2006	Atwood et al.
2004/0072375	A1	4/2004	Gjerde et al.	2006/0269961	A1	11/2006	Fukushima et al.
2004/0086427	A1	5/2004	Childers et al.	2007/0004028	A1	1/2007	Lair et al.
2004/0086956	A1	5/2004	Bachur	2007/0009386	A1	1/2007	Padmanabhan et al.
2004/0132059	A1	7/2004	Scurati et al.	2007/0020699	A1	1/2007	Carpenter et al.
2004/0141887	A1	7/2004	Mainquist et al.	2007/0020764	A1	1/2007	Miller
2004/0151629	A1	8/2004	Pease et al.	2007/0026421	A1	2/2007	Sundberg et al.
2004/0157220	A1	8/2004	Kurmoool et al.	2007/0042441	A1	2/2007	Masters et al.
2004/0161788	A1	8/2004	Chen et al.	2007/0048188	A1	3/2007	Bigus
2004/0189311	A1	9/2004	Glezer et al.	2007/0054413	A1	3/2007	Aviles et al.
2004/0197810	A1	10/2004	Takenaka et al.	2007/0077648	A1	4/2007	Okamoto et al.
2004/0200909	A1	10/2004	McMillan et al.	2007/0092901	A1	4/2007	Ligler et al.
2004/0209331	A1	10/2004	Ririe	2007/0098600	A1	5/2007	Kayyem et al.
2004/0209354	A1	10/2004	Mathies et al.	2007/0099200	A1	5/2007	Chow et al.
2004/0219070	A1	11/2004	Handique	2007/0104617	A1	5/2007	Coulling et al.
2004/0224317	A1	11/2004	Kordunsky et al.	2007/0116613	A1	5/2007	Elsener
2004/0235154	A1	11/2004	Oh et al.	2007/0154895	A1	7/2007	Spaid et al.
2004/0240097	A1	12/2004	Evans	2007/0177147	A1	8/2007	Parce
2005/0009174	A1	1/2005	Nikiforov et al.	2007/0178607	A1	8/2007	Prober et al.
2005/0013737	A1	1/2005	Chow et al.	2007/0184463	A1	8/2007	Molho et al.
2005/0037471	A1	2/2005	Liu et al.	2007/0184547	A1	8/2007	Handique et al.
2005/0041525	A1	2/2005	Pugia et al.	2007/0196237	A1	8/2007	Neuzil et al.
2005/0042639	A1	2/2005	Knapp et al.	2007/0196238	A1	8/2007	Kennedy et al.
2005/0048540	A1	3/2005	Inami et al.	2007/0199821	A1	8/2007	Chow
2005/0058574	A1	3/2005	Bysouth et al.	2007/0215554	A1	9/2007	Kreuwel et al.
2005/0058577	A1	3/2005	Micklash et al.	2007/0218459	A1	9/2007	Miller et al.
2005/0064535	A1	3/2005	Favuzzi et al.	2007/0231213	A1	10/2007	Prabhu et al.
2005/0069898	A1	3/2005	Moon et al.	2007/0243626	A1	10/2007	Windeyer et al.
2005/0084424	A1	4/2005	Ganesan et al.	2007/0261479	A1	11/2007	Spaid et al.
2005/0106066	A1	5/2005	Saltsman et al.	2007/0269861	A1	11/2007	Williams et al.
2005/0112754	A1	5/2005	Yoon et al.	2007/0292941	A1	12/2007	Handique et al.
2005/0121324	A1	6/2005	Park et al.	2008/0000774	A1	1/2008	Park et al.
2005/0129580	A1	6/2005	Swinehart et al.	2008/0003649	A1	1/2008	Maltezos et al.
2005/0133370	A1	6/2005	Park et al.	2008/0017306	A1	1/2008	Liu et al.
2005/0135655	A1	6/2005	Kopf-Sill et al.	2008/0050804	A1	2/2008	Handique et al.
2005/0142036	A1	6/2005	Kim et al.	2008/0056948	A1	3/2008	Dale et al.
2005/0152808	A1	7/2005	Ganesan	2008/0069729	A1	3/2008	McNeely
2005/0158781	A1	7/2005	Woudenberg et al.	2008/0075634	A1	3/2008	Herchenbach et al.
2005/0170362	A1	8/2005	Wada et al.	2008/0090244	A1	4/2008	Knapp et al.
2005/0186585	A1	8/2005	Juncosa et al.	2008/0095673	A1	4/2008	Xu
2005/0196321	A1	9/2005	Huang	2008/0118987	A1	5/2008	Eastwood et al.
2005/0202470	A1	9/2005	Sundberg et al.	2008/0124723	A1	5/2008	Dale et al.
2005/0202489	A1	9/2005	Cho et al.	2008/0149840	A1	6/2008	Handique et al.
2005/0202504	A1	9/2005	Anderson et al.	2008/0160601	A1	7/2008	Handique
2005/0208676	A1	9/2005	Kahatt	2008/0176230	A1	7/2008	Owen et al.
2005/0214172	A1	9/2005	Burgisser	2008/0182301	A1	7/2008	Handique et al.
2005/0220675	A1	10/2005	Reed et al.	2008/0192254	A1	8/2008	Kim et al.
2005/0227269	A1	10/2005	Lloyd et al.	2008/0226502	A1	9/2008	Jonsmann et al.
2005/0233370	A1	10/2005	Ammann et al.	2008/0240898	A1	10/2008	Manz et al.
2005/0238545	A1	10/2005	Parce et al.	2008/0247914	A1	10/2008	Edens et al.
2005/0272079	A1	12/2005	Burns et al.	2008/0262213	A1	10/2008	Wu et al.
2005/0276728	A1	12/2005	Muller-Cohn et al.	2008/0280285	A1	11/2008	Chen et al.
				2008/0308500	A1	12/2008	Brassard
				2009/0047180	A1	2/2009	Kawahara
				2009/0047713	A1	2/2009	Handique
				2009/0066339	A1	3/2009	Glezer et al.

(56)

References Cited

U.S. PATENT DOCUMENTS

2009/0129978 A1 5/2009 Wilson et al.
 2009/0130719 A1 5/2009 Handique
 2009/0130745 A1 5/2009 Williams et al.
 2009/0131650 A1 5/2009 Brahmasandra et al.
 2009/0134069 A1 5/2009 Handique
 2009/0136385 A1 5/2009 Handique et al.
 2009/0136386 A1 5/2009 Duffy et al.
 2009/0155123 A1 6/2009 Williams et al.
 2009/0189089 A1 7/2009 Bedingham et al.
 2009/0221059 A1 9/2009 Williams et al.
 2009/0223925 A1 9/2009 Morse et al.
 2009/0325164 A1 12/2009 Vossenaar et al.
 2010/0009351 A1 1/2010 Brahmasandra et al.
 2010/0120129 A1 5/2010 Amshey et al.
 2010/0173393 A1 7/2010 Handique et al.
 2010/0284864 A1 11/2010 Hostenstein et al.
 2011/0008825 A1 1/2011 Ingber et al.
 2011/0027151 A1 2/2011 Handique et al.
 2011/0097493 A1 4/2011 Kerr et al.
 2011/0127292 A1 6/2011 Sarofim et al.
 2011/0158865 A1 6/2011 Miller et al.
 2011/0207140 A1 8/2011 Handique et al.
 2011/0210257 A9 9/2011 Handique et al.
 2011/0287447 A1 11/2011 Norderhaug
 2011/0300033 A1 12/2011 Battisti
 2012/0022695 A1 1/2012 Handique et al.
 2012/0085416 A1 4/2012 Ganesan
 2012/0122108 A1 5/2012 Handique
 2012/0122231 A1 5/2012 Tajima
 2012/0160826 A1 6/2012 Handique
 2012/0171678 A1 7/2012 Maltezos et al.
 2012/0171759 A1 7/2012 Williams et al.
 2012/0183454 A1 7/2012 Handique
 2012/0258463 A1 10/2012 Duffy et al.
 2013/0037564 A1 2/2013 Williams et al.
 2013/0071851 A1 3/2013 Handique et al.
 2013/0096292 A1 4/2013 Brahmasandra et al.
 2013/0101990 A1 4/2013 Handique et al.
 2013/0164832 A1 6/2013 Ganesan et al.
 2013/0183769 A1 7/2013 Tajima
 2013/0217013 A1 8/2013 Steel et al.
 2013/0217102 A1 8/2013 Ganesan et al.
 2013/0251602 A1 9/2013 Handique et al.
 2013/0280131 A1 10/2013 Handique et al.
 2013/0288358 A1 10/2013 Handique et al.
 2013/0315800 A1 11/2013 Yin et al.
 2014/0030798 A1 1/2014 Wu et al.
 2014/0045186 A1 2/2014 Gubatayao et al.
 2014/0206088 A1 7/2014 Lentz et al.
 2014/0212882 A1 7/2014 Handique et al.
 2014/0227710 A1 8/2014 Handique et al.
 2014/0297047 A1 10/2014 Ganesan et al.
 2014/0323357 A1 10/2014 Handique et al.
 2014/0323711 A1 10/2014 Brahmasandra et al.
 2014/0329301 A1 11/2014 Handique et al.
 2014/0342352 A1 11/2014 Handique et al.
 2014/0377850 A1 12/2014 Handique et al.
 2015/0064702 A1 3/2015 Handique et al.
 2015/0118684 A1 4/2015 Wu et al.
 2015/0133345 A1 5/2015 Handique et al.
 2015/0142186 A1 5/2015 Handique et al.
 2015/0152477 A1 6/2015 Ganesan et al.
 2015/0174579 A1 6/2015 Iten et al.
 2015/0315631 A1 11/2015 Handique et al.
 2015/0328638 A1 11/2015 Handique et al.
 2015/0376682 A1 12/2015 Handique
 2016/0038942 A1 2/2016 Roberts
 2016/0102305 A1 4/2016 Brahmasandra et al.
 2016/0107161 A1 4/2016 Lentz et al.
 2016/0250635 A1 9/2016 Handique
 2016/0250640 A1 9/2016 Williams et al.
 2016/0333337 A1 11/2016 Duffy et al.
 2017/0097373 A1 4/2017 Williams et al.
 2017/0266666 A1 9/2017 Lentz et al.

2018/0017184 A1 1/2018 Handique
 2018/0112252 A1 4/2018 Handique
 2018/0119204 A1 5/2018 Ganesan et al.

FOREIGN PATENT DOCUMENTS

CN 101466848 6/2009
 CN 101522909 9/2009
 CN 103540518 1/2014
 DE 19929734 12/1999
 DE 19833293 C1 1/2000
 EP 0365828 A2 5/1990
 EP 0483620 A2 5/1992
 EP 0688602 A2 12/1995
 EP 0766256 4/1997
 EP 0772494 B1 5/1997
 EP 1059458 A2 12/2000
 EP 1077086 A2 2/2001
 EP 1346772 A2 9/2003
 EP 1541237 A2 6/2005
 EP 1574586 A2 9/2005
 EP 1780290 A2 5/2007
 EP 1792656 A1 6/2007
 EP 2372367 A1 10/2011
 FR 2672301 8/1992
 FR 2795426 12/2000
 GB 2453432 A 4/2009
 JP S50-100881 8/1975
 JP 58212921 A 12/1983
 JP S62-119460 5/1987
 JP H01-502319 8/1989
 JP H 03181853 8/1991
 JP 04-053555 U 5/1992
 JP 06-064156 U 9/1994
 JP 07-020010 1/1995
 JP H07-290706 11/1995
 JP H08-122336 5/1996
 JP H08-173194 7/1996
 JP H08-211071 8/1996
 JP H08-285859 11/1996
 JP H09-325151 12/1997
 JP 2001-502790 1/1998
 JP H 11-501504 2/1999
 JP H 11503315 3/1999
 JP 2000-514928 4/1999
 JP H 11316226 11/1999
 JP H11-515106 12/1999
 JP 2000-180455 6/2000
 JP 2000-266760 9/2000
 JP 2000-275255 10/2000
 JP 2001-502319 2/2001
 JP 2001-204462 7/2001
 JP 2001-509437 7/2001
 JP 3191150 B2 7/2001
 JP 2001-515216 9/2001
 JP 2001-523812 11/2001
 JP 2001-527220 12/2001
 JP 2002-503331 1/2002
 JP 2002-085961 3/2002
 JP 2002-517735 6/2002
 JP 2002-215241 7/2002
 JP 2002-540382 11/2002
 JP 2002-544476 12/2002
 JP 2003-500674 1/2003
 JP 2003-047839 A 2/2003
 JP 2003-047840 A 2/2003
 JP 2003-516125 5/2003
 JP 2003-164279 6/2003
 JP 2003-185584 7/2003
 JP 2003-299485 10/2003
 JP 2003-329693 11/2003
 JP 2003-329696 11/2003
 JP 2003-532382 A 11/2003
 JP 2004-003989 1/2004
 JP 2004-506179 A 2/2004
 JP 2004-150797 A 5/2004
 JP 2004-531360 A 10/2004
 JP 2004-533838 11/2004
 JP 2004-361421 12/2004

(56) References Cited			WO	WO	
FOREIGN PATENT DOCUMENTS			WO	2001/041931	6/2001
JP	2004-536291	12/2004	WO	01/054813	8/2001
JP	2005-009870	1/2005	WO	01/089681	11/2001
JP	2005-010179	1/2005	WO	02/072264	9/2002
JP	2005-511264	4/2005	WO	02/078845	10/2002
JP	2005-514718	5/2005	WO	2002/086454	10/2002
JP	2005-518825	6/2005	WO	2003/007677	1/2003
JP	2005-176613 A	7/2005	WO	03/012325	2/2003
JP	2005-192439	7/2005	WO	03/012406	2/2003
JP	2005-192554	7/2005	WO	03/048295	6/2003
JP	2005-204661	8/2005	WO	03/055605	7/2003
JP	2005-525816	9/2005	WO	03/076661	9/2003
JP	2005-291954 A	10/2005	WO	03/087410	10/2003
JP	2005-532043	10/2005	WO	04/007081	1/2004
JP	2005-323519	11/2005	WO	2004/048545	6/2004
JP	2005-533652	11/2005	WO	04/055522	7/2004
JP	2005-535904	11/2005	WO	2004/056485	7/2004
JP	2006-021156 A	1/2006	WO	04/074848	9/2004
JP	2006-094866 A	4/2006	WO	2004/094986	11/2004
JP	2006-145458	6/2006	WO	2005/008255	1/2005
JP	2006-167569	6/2006	WO	05/011867	2/2005
JP	2007-074960	3/2007	WO	2005/030984	4/2005
JP	2007-097477	4/2007	WO	2005/072353	8/2005
JP	2007-101364	4/2007	WO	05/108620	11/2005
JP	2007-510518	4/2007	WO	2005/107947	11/2005
JP	2007-514405 A	6/2007	WO	2005/108571	11/2005
JP	2007-178328	7/2007	WO	2005/116202	12/2005
JP	2007-535933	12/2007	WO	2005/118867	12/2005
JP	2009-542207	12/2009	WO	2005/120710	12/2005
RU	2418633	5/2011	WO	06/010584	2/2006
WO	88/06633	9/1988	WO	2006/032044	3/2006
WO	90/12350	10/1990	WO	2006/035800	4/2006
WO	92/05443	4/1992	WO	2006/043642	4/2006
WO	94/11103	5/1994	WO	2006/066001	6/2006
WO	96/04547	2/1996	WO	06/079082	7/2006
WO	97/05492	2/1997	WO	2006/081995	8/2006
WO	97/21090	6/1997	WO	2006/113198	10/2006
WO	98/00231	1/1998	WO	2006/119280	11/2006
WO	98/22625	5/1998	WO	07/044917	4/2007
WO	1998/35013	8/1998	WO	07/050327	5/2007
WO	98/49548	11/1998	WO	07/064117	6/2007
WO	98/53311	11/1998	WO	2007/091530	8/2007
WO	99/01688	1/1999	WO	2007/112114	10/2007
WO	99/09042	2/1999	WO	2008/005321	1/2008
WO	99/12016	3/1999	WO	08/030914	3/2008
WO	1999/017093	4/1999	WO	08/060604	5/2008
WO	99/33559	7/1999	WO	09/012185	1/2009
WO	01/005510	1/2001	WO	09/054870 A2	4/2009
WO	01/014931	3/2001	WO	10/118541	10/2010
WO	01/027614	4/2001	WO	2010/130310	11/2010
WO	01/028684	4/2001	WO	2010/140680	12/2010
WO	2001/030995	5/2001	WO	2011/101467	8/2011

* cited by examiner

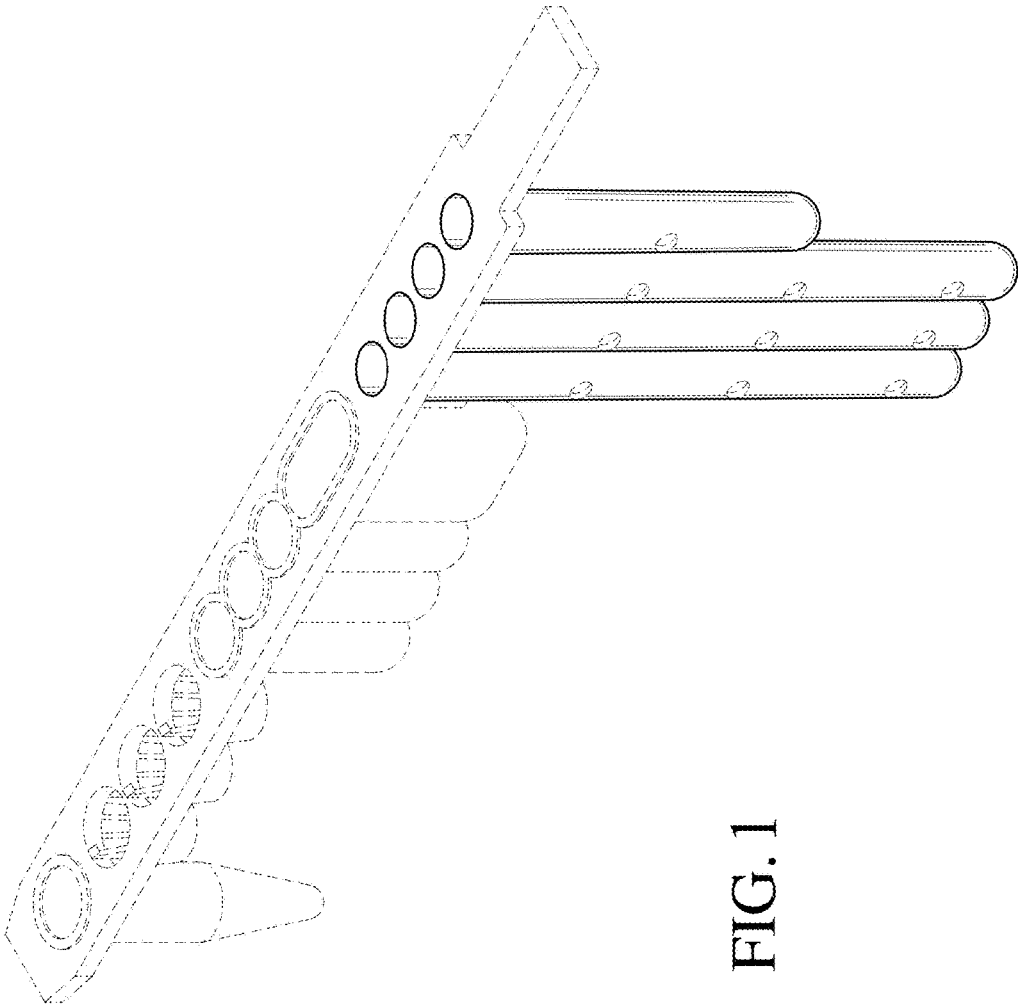


FIG. 1

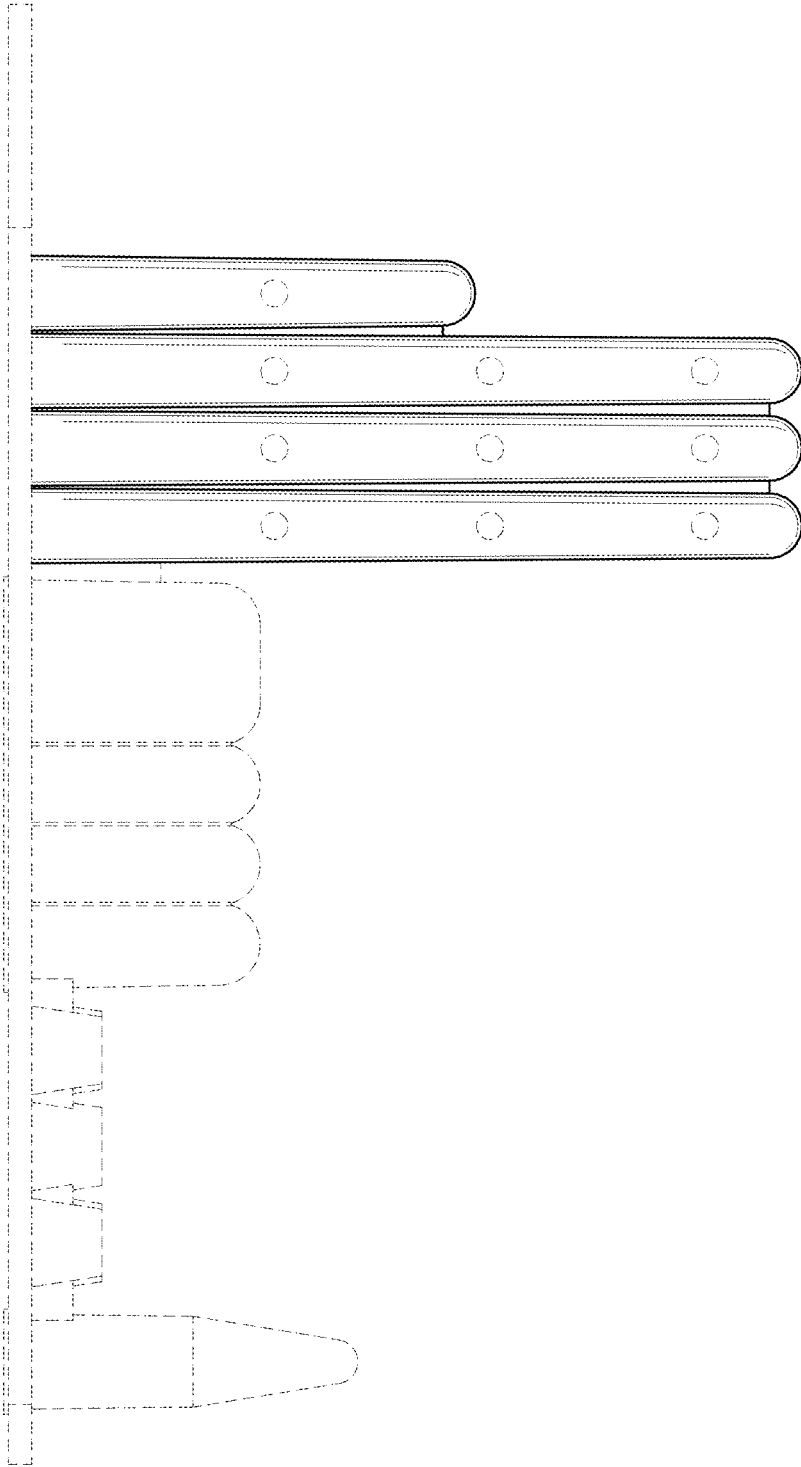


FIG. 2

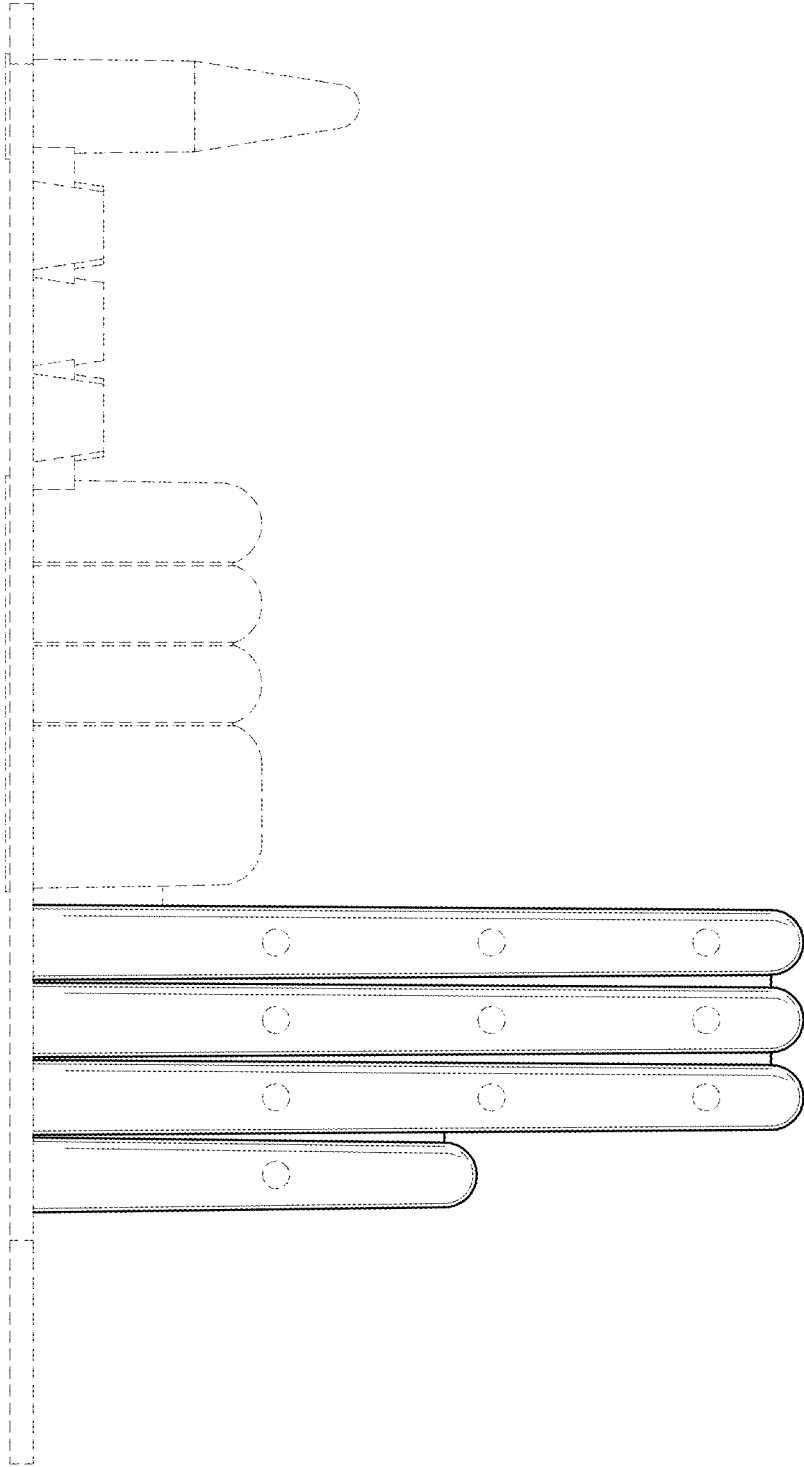


FIG. 3

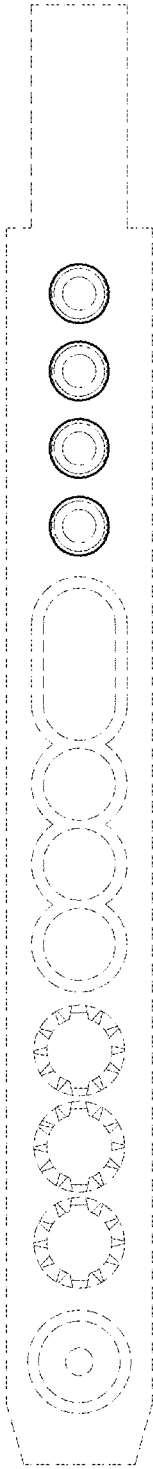


FIG. 4

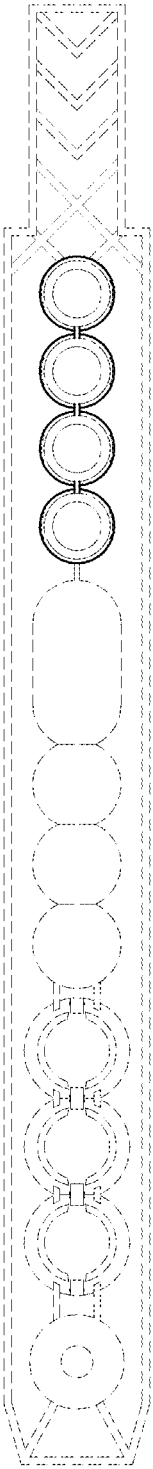


FIG. 5

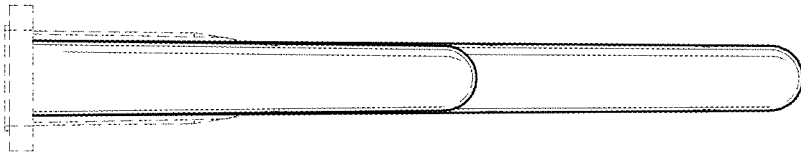


FIG. 7

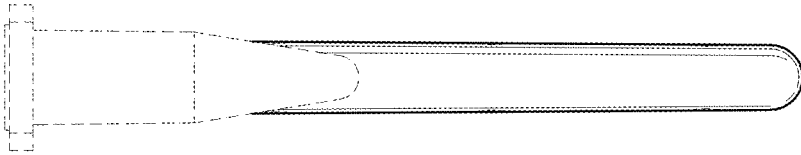


FIG. 6

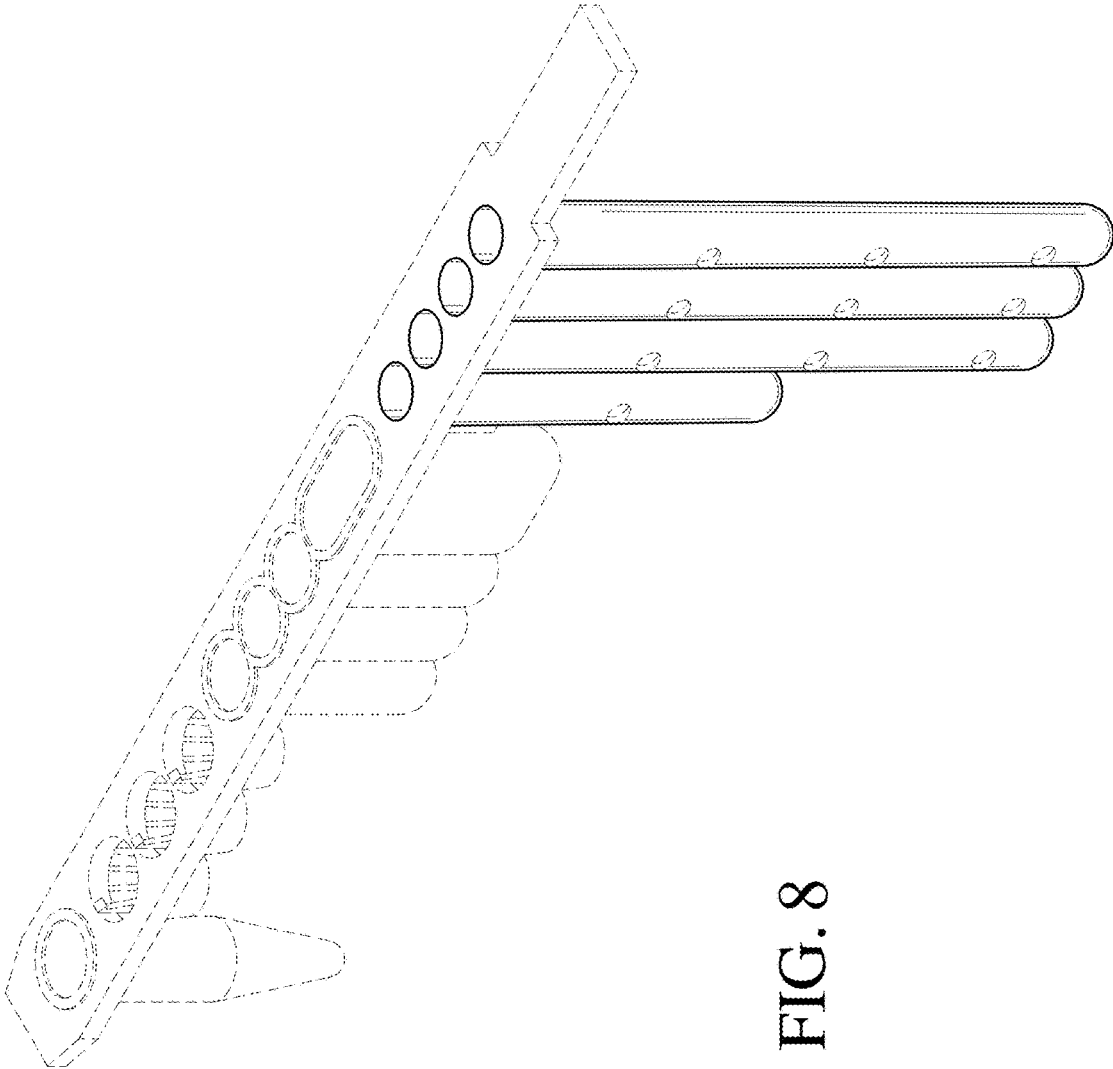


FIG. 8

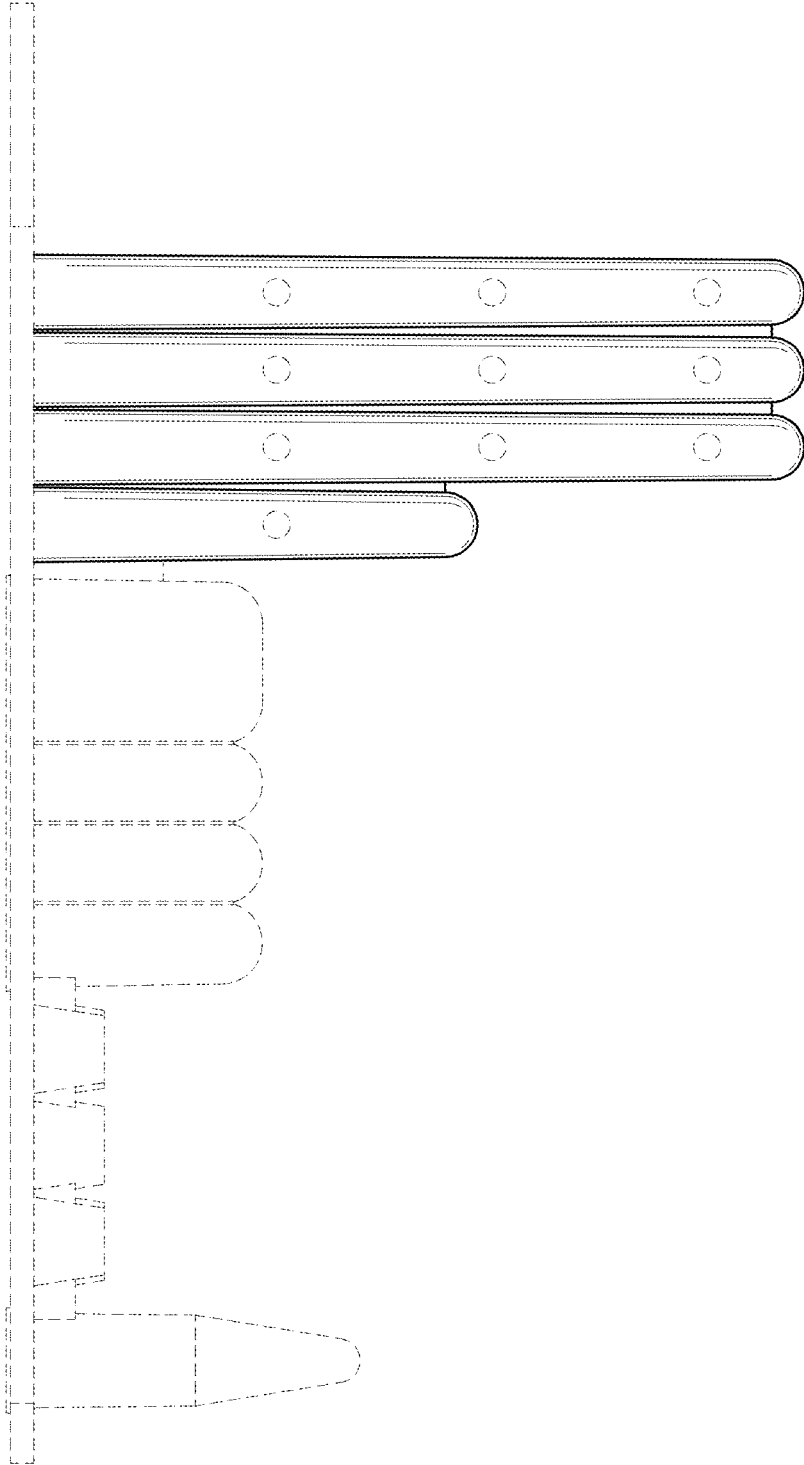


FIG. 9

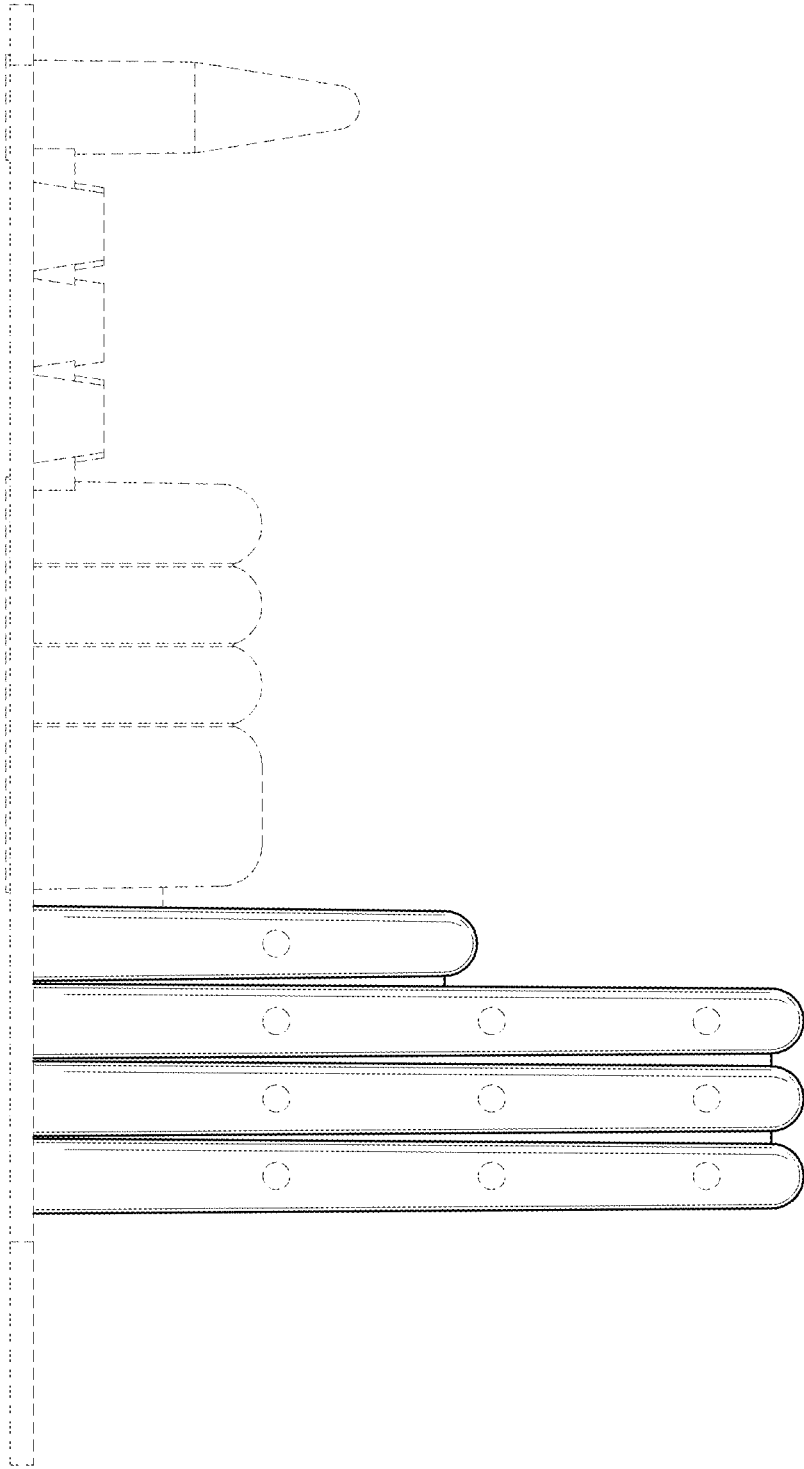


FIG. 10

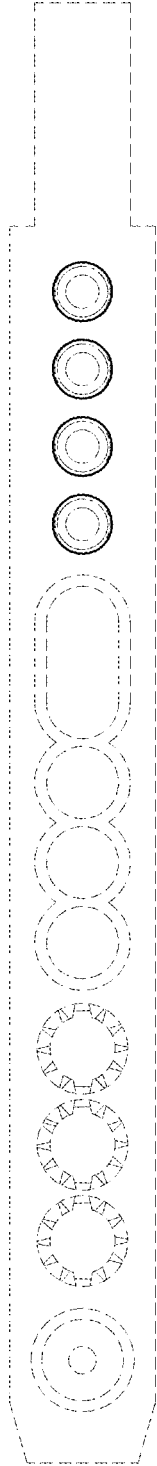


FIG. 11



FIG. 12

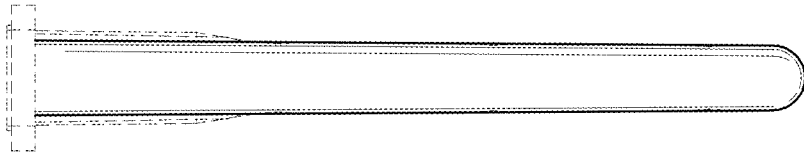


FIG. 14

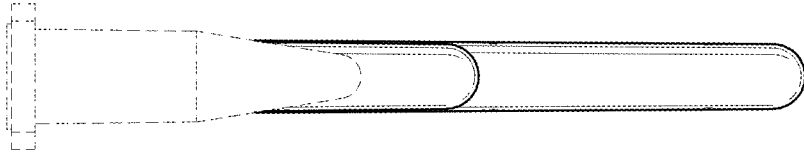


FIG. 13