

(19) World Intellectual Property Organization
International Bureau



(43) International Publication Date
2 October 2008 (02.10.2008)

PCT

(10) International Publication Number
WO 2008/116591 A3

(51) International Patent Classification:

A61L 27/50 (2006.01) A61L 27/40 (2006.01)
A61L 27/58 (2006.01) A61B 17/68 (2006.01)

(21) International Application Number:

PCT/EP2008/002220

(22) International Filing Date: 19 March 2008 (19.03.2008)

(25) Filing Language: English

(26) Publication Language: English

(30) Priority Data:

07 006 080.1 23 March 2007 (23.03.2007) EP

(71) Applicant (for all designated States except US):

STRYKER TRAUMA GMBH [DE/DE]; Prof.-
Küntscher-Str. 1-5, 24232 Schönkirchen/Kiel (DE).

(72) Inventor; and

(75) Inventor/Applicant (for US only): **PROCTER, Philip**
[FR/FR]; La Paisible, Chemin du Pre Peilloud 304,
F-01220 Divonne les Bains (FR).

(74) Agent: **SCHMITZ, Alexander**; Maiwald Patentanwalts
GmbH, Elisenhof, Elisenstrasse 3, 80335 München (DE).

(81) Designated States (unless otherwise indicated, for every

kind of national protection available): AE, AG, AL, AM, AO, AT, AU, AZ, BA, BB, BG, BH, BR, BW, BY, BZ, CA, CH, CN, CO, CR, CU, CZ, DE, DK, DM, DO, DZ, EC, EE, EG, ES, FI, GB, GD, GE, GH, GM, GT, HN, HR, HU, ID, IL, IN, IS, JP, KE, KG, KM, KN, KP, KR, KZ, LA, LC, LK, LR, LS, LT, LU, LY, MA, MD, ME, MG, MK, MN, MW, MX, MY, MZ, NA, NG, NI, NO, NZ, OM, PG, PH, PL, PT, RO, RS, RU, SC, SD, SE, SG, SK, SL, SM, SV, SY, TJ, TM, TN, TR, TT, TZ, UA, UG, US, UZ, VC, VN, ZA, ZM, ZW.

(84) Designated States (unless otherwise indicated, for every

kind of regional protection available): ARIPO (BW, GH, GM, KE, LS, MW, MZ, NA, SD, SL, SZ, TZ, UG, ZM, ZW), Eurasian (AM, AZ, BY, KG, KZ, MD, RU, TJ, TM), European (AT, BE, BG, CH, CY, CZ, DE, DK, EE, ES, FI, FR, GB, GR, HR, HU, IE, IS, IT, LT, LU, LV, MC, MT, NL, NO, PL, PT, RO, SE, SI, SK, TR), OAPI (BF, BJ, CF, CG, CI, CM, GA, GN, GQ, GW, ML, MR, NE, SN, TD, TG).

Published:

- with international search report
- before the expiration of the time limit for amending the claims and to be republished in the event of receipt of amendments

(88) Date of publication of the international search report:

20 November 2008

(54) Title: IMPLANTATION DEVICE, METHOD FOR PRODUCING AND FOR APPLYING THE SAME

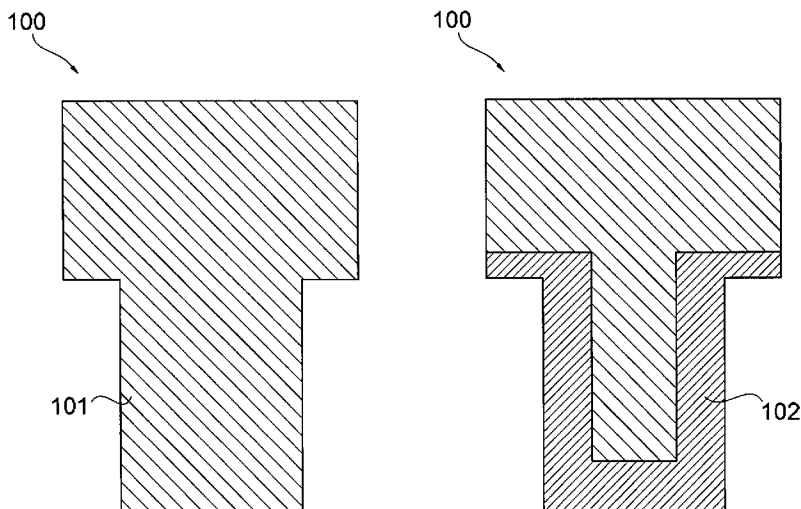


Fig. 1A

Fig. 1B

(57) Abstract: An implantation device for fixating a bone comprises a main body, wherein the main body has a peripheral region, wherein the main body comprises a polymeric material, and wherein the peripheral region comprises the polymeric material and a plasticizer. In particular, the peripheral region may be adapted to be fixed to a bone. A method for producing an implantation device comprises the steps of forming an implantation device using polymer material, and dipping at least a portion of the implantation device into a plasticizer in such a way that a peripheral region of the implantation device is plastified.



WO 2008/116591 A3

INTERNATIONAL SEARCH REPORT

International application No

PCT/EP2008/002220

A. CLASSIFICATION OF SUBJECT MATTER

INV. A61L27/50 A61L27/58 A61L27/40 A61B17/68

According to International Patent Classification (IPC) or to both national classification and IPC

B. FIELDS SEARCHED

Minimum documentation searched (classification system followed by classification symbols)

A61L A61B

Documentation searched other than minimum documentation to the extent that such documents are included in the fields searched

Electronic data base consulted during the international search (name of data base and, where practical, search terms used)

EPO-Internal, WPI Data

C. DOCUMENTS CONSIDERED TO BE RELEVANT

Category*	Citation of document, with indication, where appropriate, of the relevant passages	Relevant to claim No.
X	US 2005/249773 A1 (MASPERO FABRIZIO A [CH] ET AL) 10 November 2005 (2005-11-10) cited in the application paragraph [0010] paragraph [0060] paragraph [0062] paragraph [0075] - paragraph [0077] figure 1B	1-3,5,6, 16,17
X	US 2005/182411 A1 (DEMEO JOSEPH [US] ET AL) 18 August 2005 (2005-08-18) paragraph [0036] paragraph [0038] paragraph [0041] ----- -/--	1-5,9,10



Further documents are listed in the continuation of Box C.



See patent family annex.

* Special categories of cited documents :

- *A* document defining the general state of the art which is not considered to be of particular relevance
- *E* earlier document but published on or after the international filing date
- *L* document which may throw doubts on priority claim(s) or which is cited to establish the publication date of another citation or other special reason (as specified)
- *O* document referring to an oral disclosure, use, exhibition or other means
- *P* document published prior to the international filing date but later than the priority date claimed

- *T* later document published after the international filing date or priority date and not in conflict with the application but cited to understand the principle or theory underlying the invention
- *X* document of particular relevance; the claimed invention cannot be considered novel or cannot be considered to involve an inventive step when the document is taken alone
- *Y* document of particular relevance; the claimed invention cannot be considered to involve an inventive step when the document is combined with one or more other such documents, such combination being obvious to a person skilled in the art.
- *&* document member of the same patent family

Date of the actual completion of the international search

17 September 2008

Date of mailing of the international search report

08/10/2008

Name and mailing address of the ISA/

European Patent Office, P.B. 5818 Patentlaan 2
 NL - 2280 HV Rijswijk
 Tel. (+31-70) 340-2040, Tx. 31 651 epo nl,
 Fax: (+31-70) 340-3016

Authorized officer

Staber, Brigitte

INTERNATIONAL SEARCH REPORT

International application No

PCT/EP2008/002220

C(Continuation). DOCUMENTS CONSIDERED TO BE RELEVANT		
Category*	Citation of document, with indication, where appropriate, of the relevant passages	Relevant to claim No.
X	US 6 548 569 B1 (WILLIAMS SIMON F [US] ET AL) 15 April 2003 (2003-04-15) column 15, line 16 - line 29 column 27, line 37 - line 46	1-3,9
X	WO 98/46164 A (BOYAN BARBARA D [US]; NIEDERAUER GABRIELE [US]; KIESWETTER KRISTINE [U]) 22 October 1998 (1998-10-22) page 14, line 20 - line 27	1-3
A	EP 1 609 494 A (CORDIS CORP [US]) 28 December 2005 (2005-12-28) paragraph [0058] paragraph [0099] - paragraph [0100]	1

INTERNATIONAL SEARCH REPORT

Information on patent family members

International application No
PCT/EP2008/002220

Patent document cited in search report	Publication date	Patent family member(s)	Publication date
US 2005249773 A1	10-11-2005	AU 2005239825 A1	17-11-2005
		CA 2564164 A1	17-11-2005
		EP 1753474 A2	21-02-2007
		WO 2005107826 A2	17-11-2005
		JP 2007536038 T	13-12-2007
		US 2005251266 A1	10-11-2005
US 2005182411 A1	18-08-2005	CA 2556516 A1	01-09-2005
		EP 1725276 A1	29-11-2006
		WO 2005079882 A1	01-09-2005
US 6548569 B1	15-04-2003	US 2002156150 A1	24-10-2002
		US 2002173558 A1	21-11-2002
WO 9846164 A	22-10-1998	AU 6970298 A	11-11-1998
		CA 2286074 A1	22-10-1998
		EP 1018978 A1	19-07-2000
		JP 2002508677 T	19-03-2002
		JP 2007301382 A	22-11-2007
		US 6344496 B1	05-02-2002
		US 5977204 A	02-11-1999
EP 1609494 A	28-12-2005	CA 2510220 A1	21-12-2005
		JP 2006006938 A	12-01-2006