



US00D342223S

United States Patent [19]

[11] Patent Number: Des. 342,223

McKisson et al.

[45] Date of Patent: ** Dec. 14, 1993

[54] TIRE

[57] CLAIM

[75] Inventors: Eileen A. McKisson, Akron, Ohio;
Laurie W. Killian, Louisville, Ky.

The ornamental design for a tire, as shown and described.

[73] Assignee: Michelin Recherche et Technique
S.A., Granges-Paccott, Switzerland

DESCRIPTION

[**] Term: 14 Years

FIG. 1 is a perspective view of a tire showing our new design;

[21] Appl. No.: 901,611

FIG. 2 is a front view of the tire in FIG. 1;

[22] Filed: Jun. 12, 1992

FIG. 3 is a side view of the tire in FIG. 1, as viewed from the left of the tire in FIG. 1 on a reduced scale;

[52] U.S. Cl. D12/146

FIG. 4 is a perspective view of a tire showing a second embodiment of our new design;

[58] Field of Search D12/136, 140, 137, 138,
D12/145-151; 152/209 R, 209 A, 209 B, 209 D

FIG. 5 is a front view of the tire in FIG. 4;

[56] References Cited

U.S. PATENT DOCUMENTS

D. 296,093 6/1988 Mezzanotte D12/146
D. 333,456 2/1993 Woo D12/147

FIG. 6 is a perspective view of a tire showing a third embodiment of our new design;

FIG. 7 is a front view of the tire in FIG. 6;

FIG. 8 is a perspective view of a tire showing a fourth embodiment of our new design;

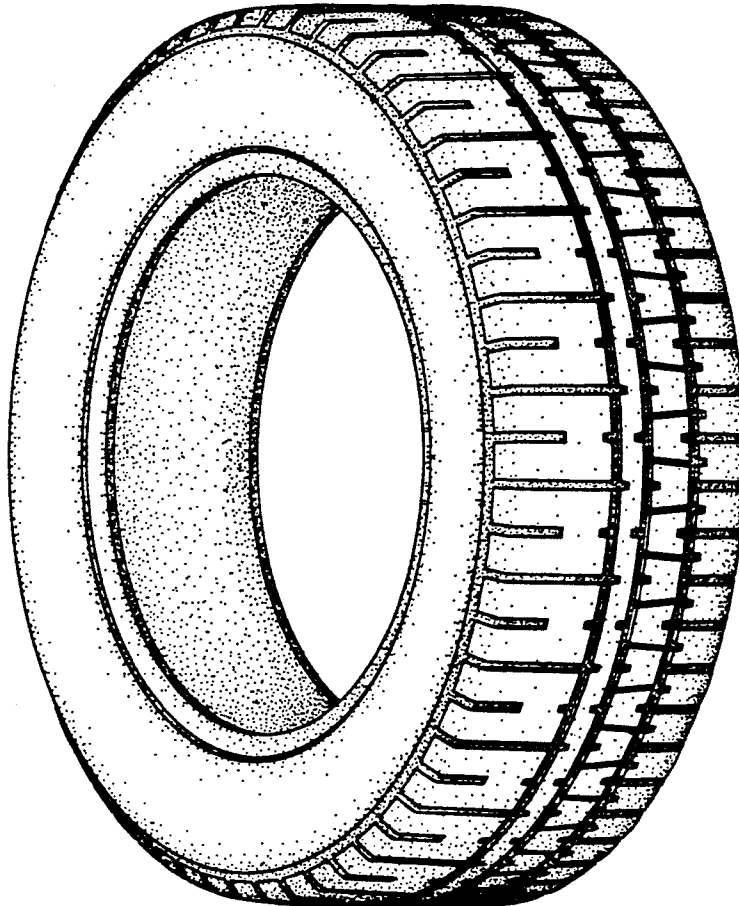
FIG. 9 is a front view of the tire in FIG. 8;

FIG. 10 is a perspective view of a tire showing a fifth embodiment of our new design; and,

FIG. 11 is a front view of the tire in FIG. 10.

The tread pattern is understood to be repeated uniformly throughout the circumference of all five embodiments of the tire, and the undisclosed side is substantially the same as the side shown.

Primary Examiner—James M. Gandy
Attorney, Agent, or Firm—Alan A. Csontos



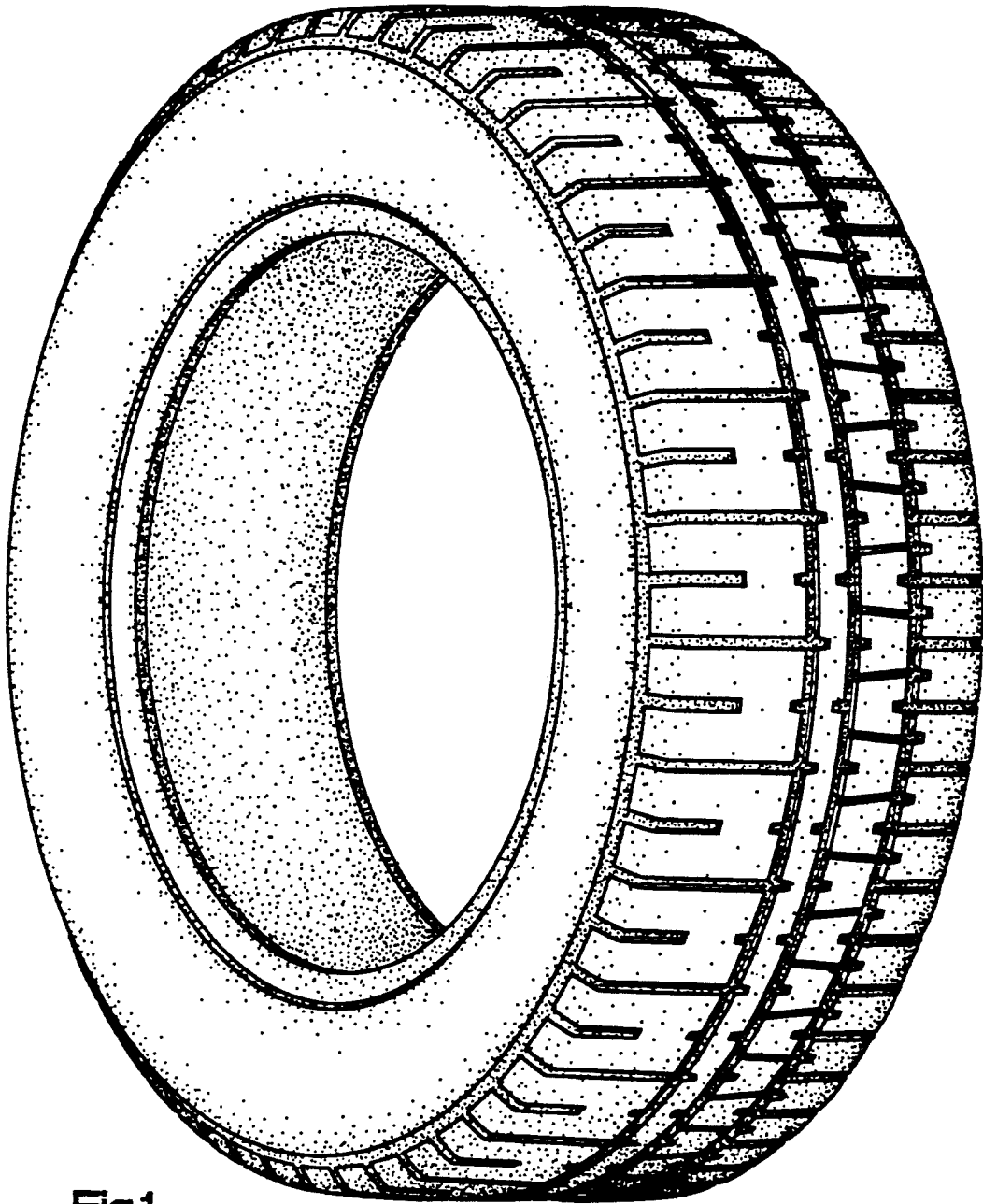


Fig.1

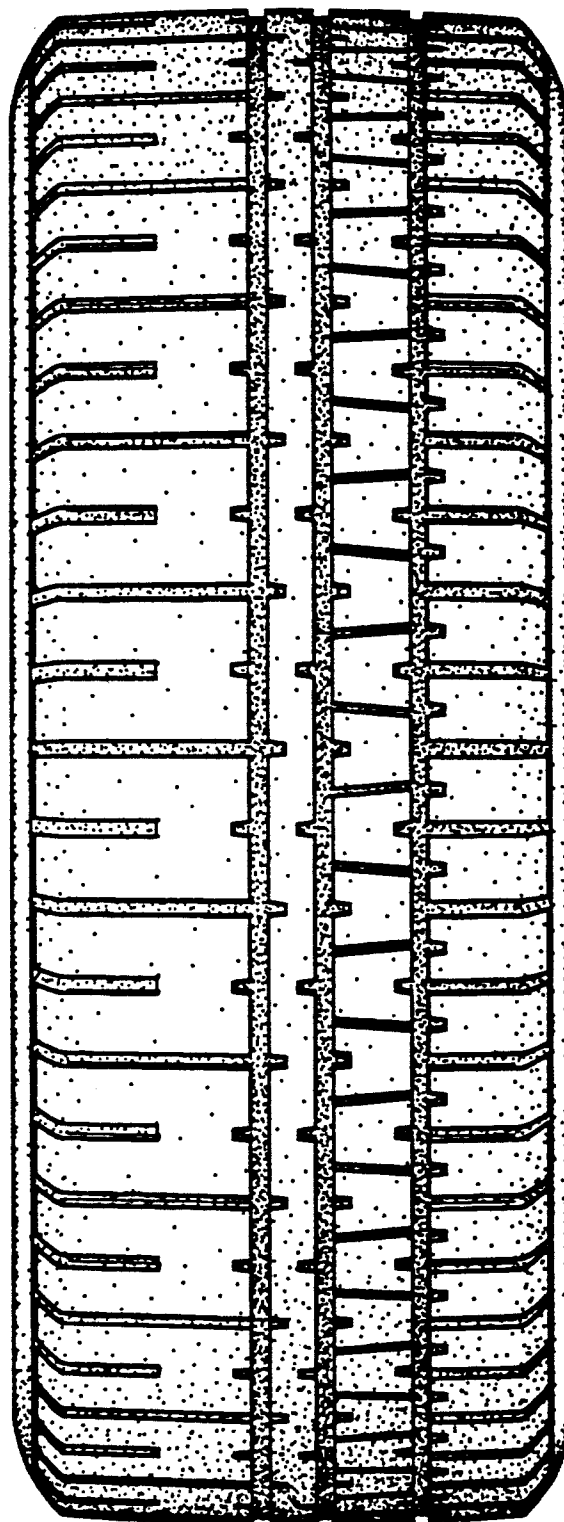


Fig.2

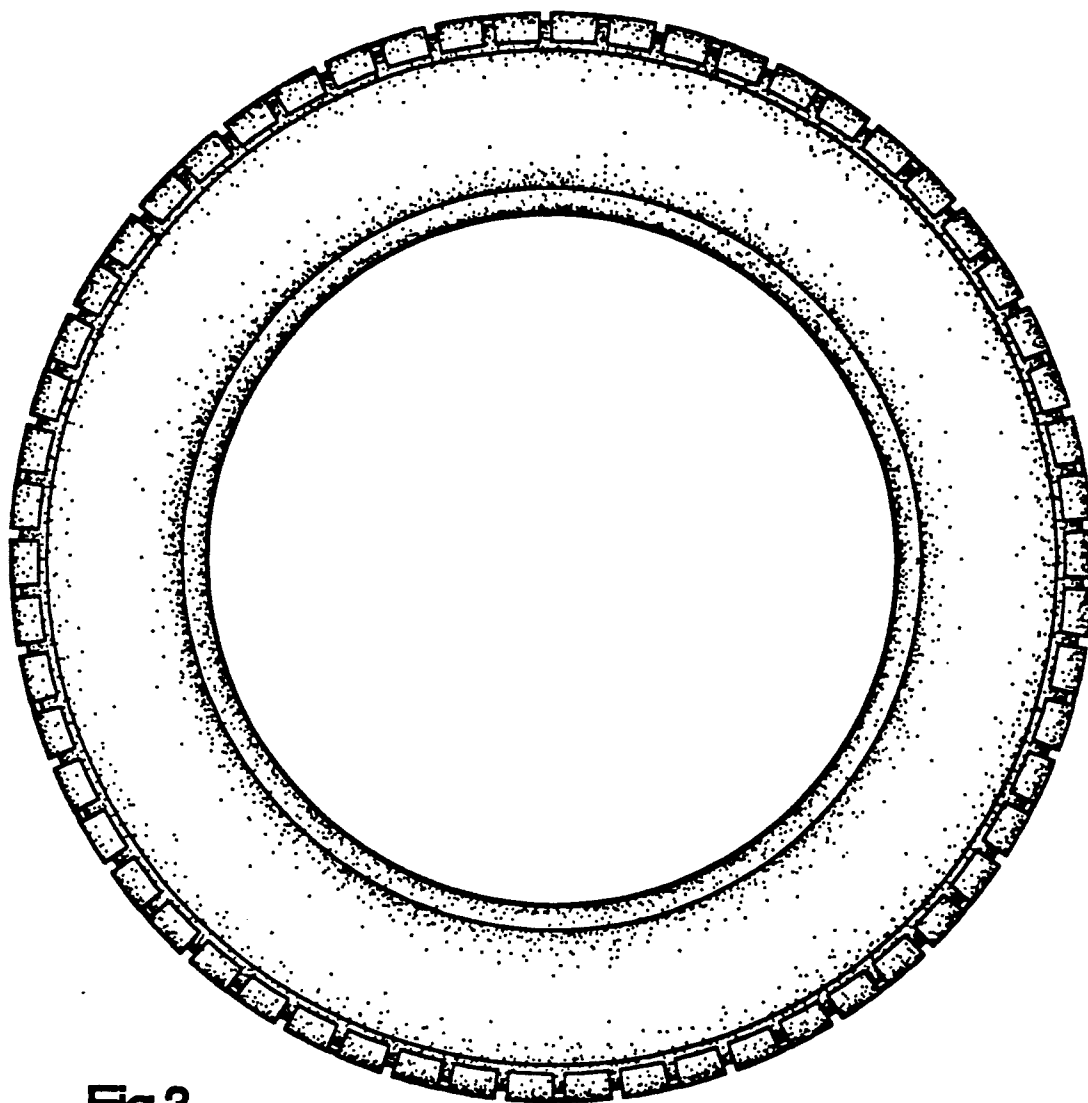


Fig.3

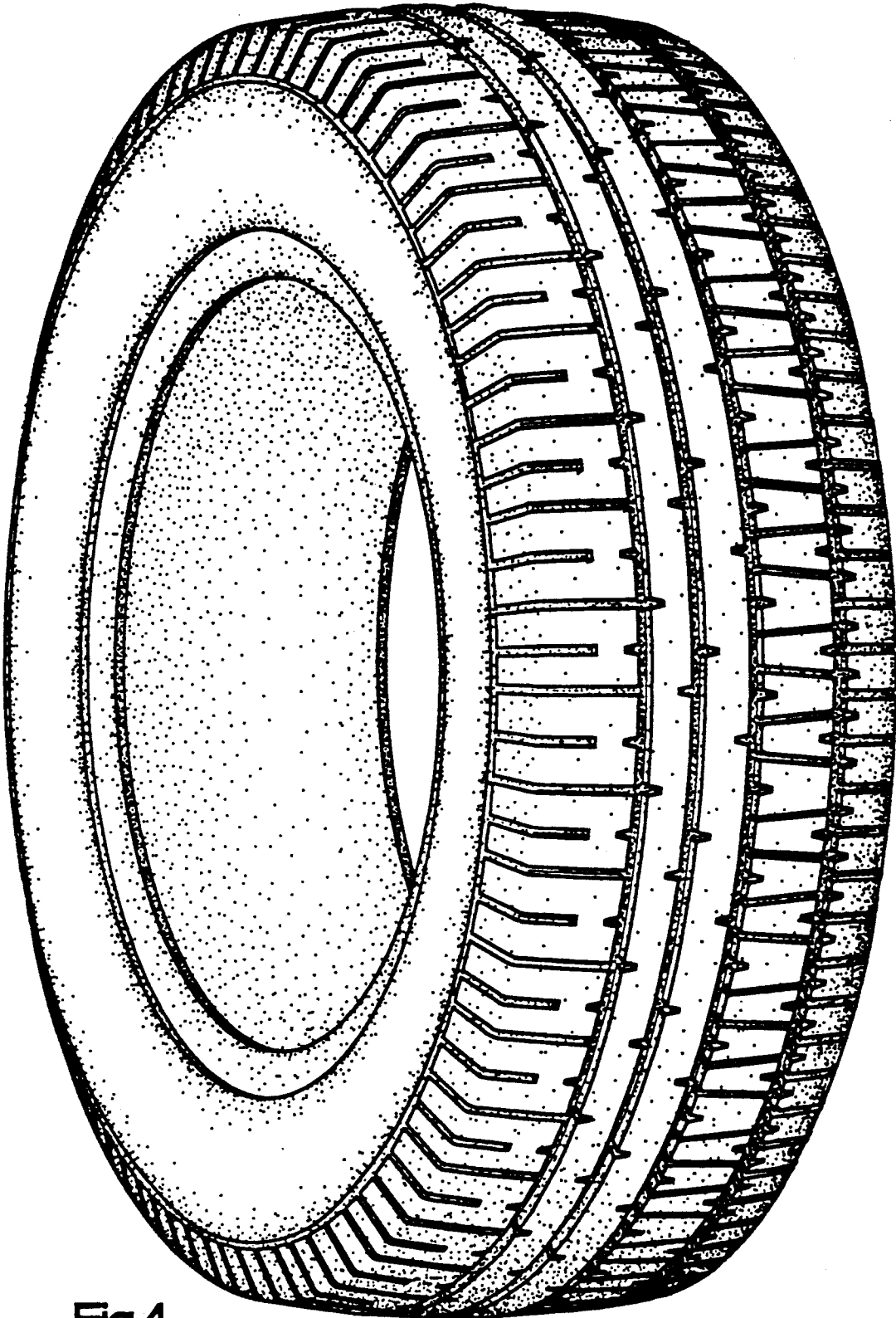


Fig.4

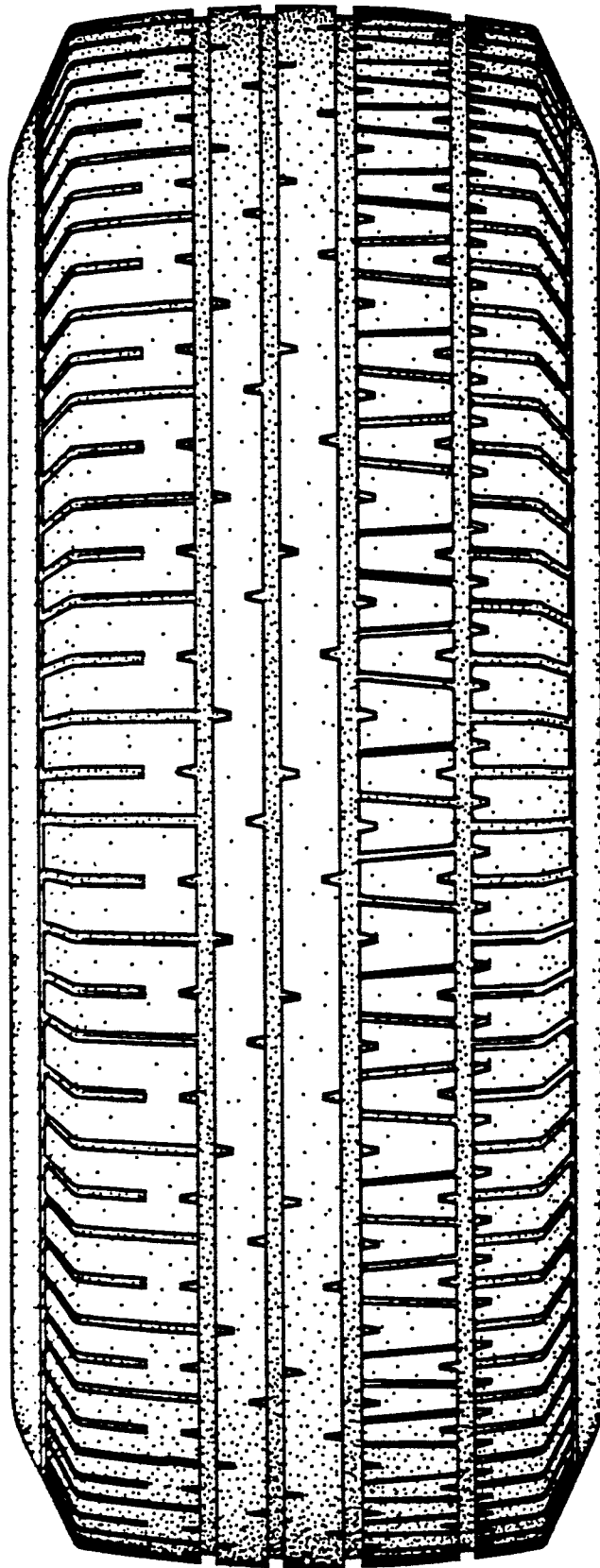


Fig.5

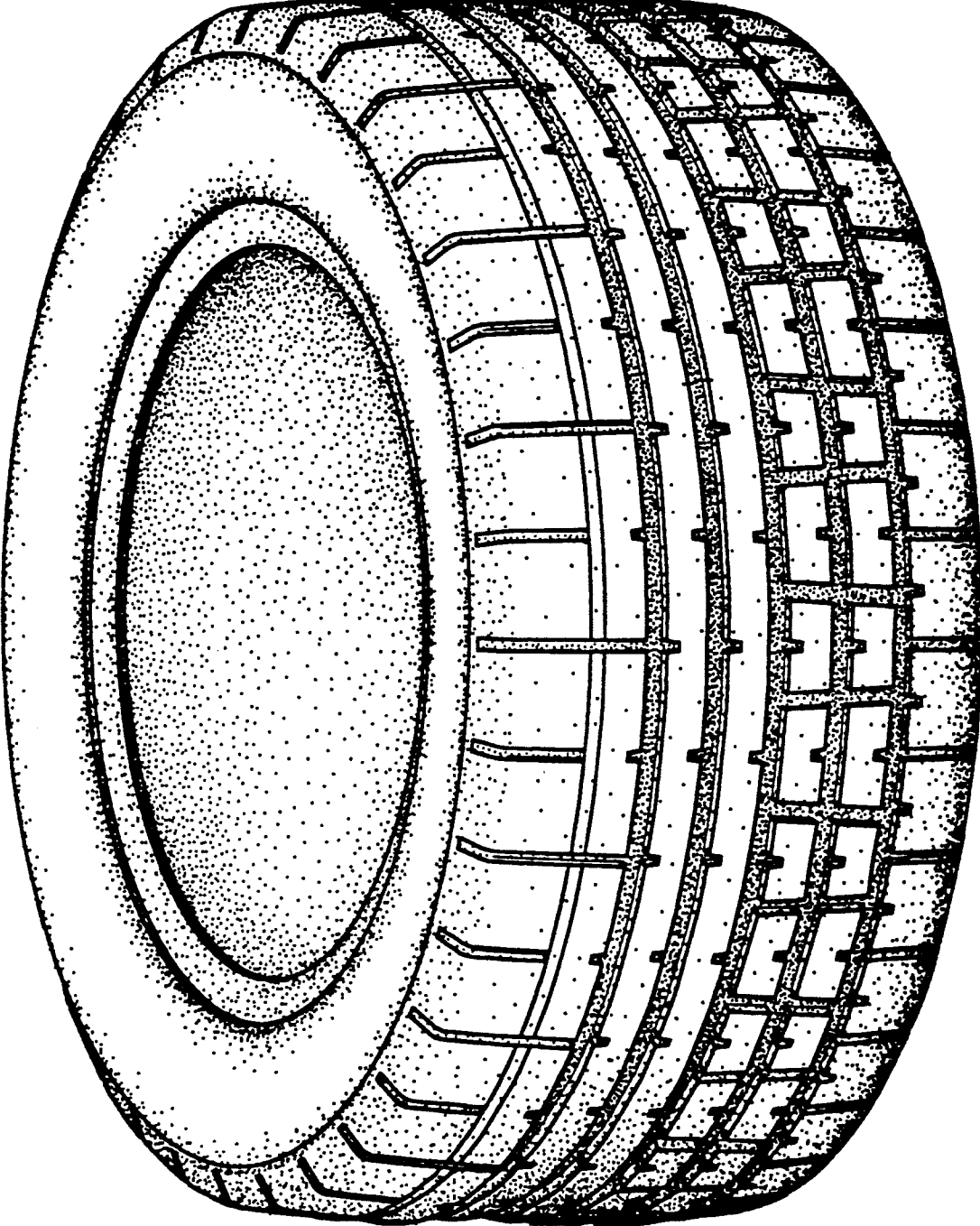


Fig.6

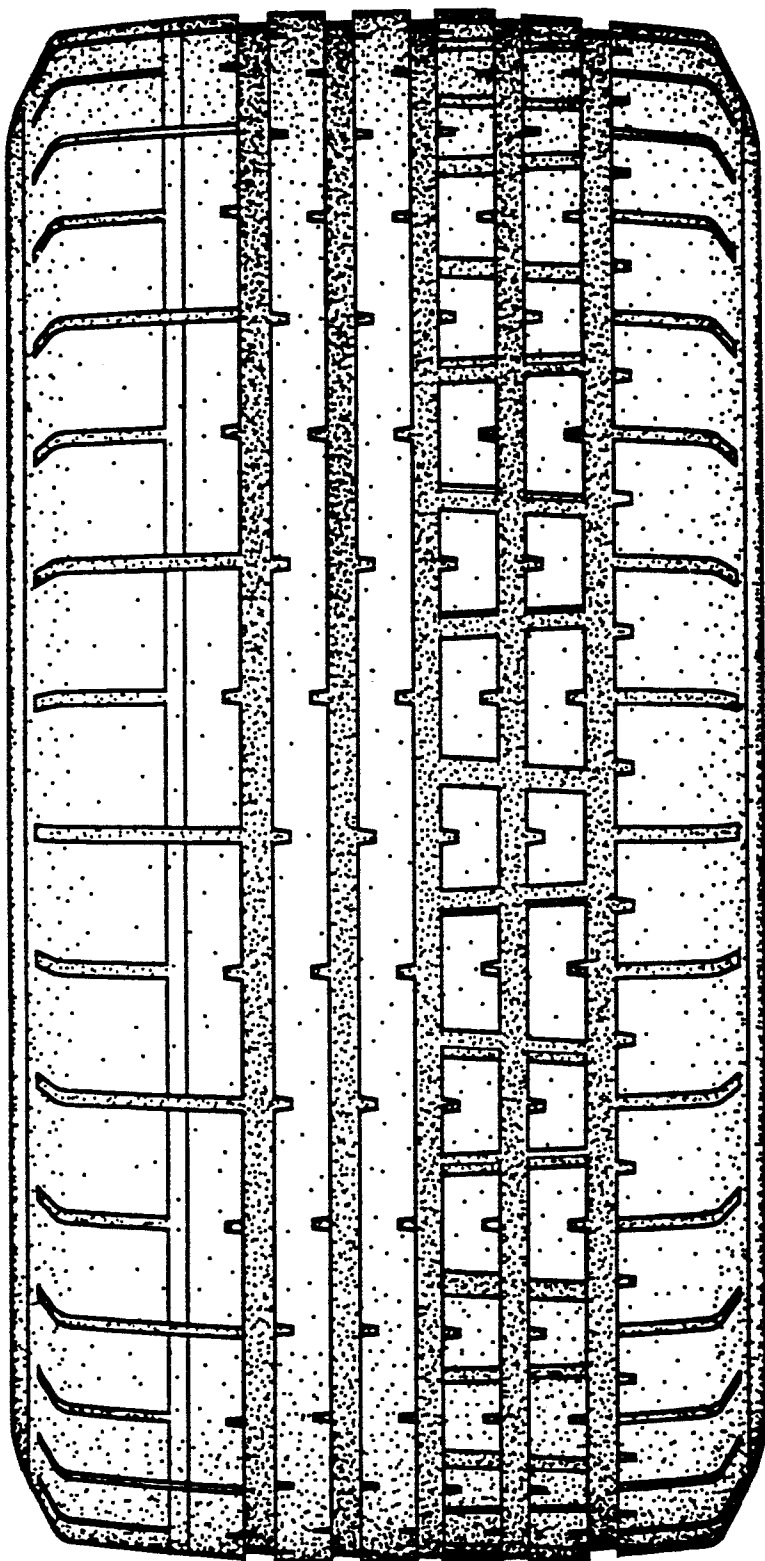


Fig.7

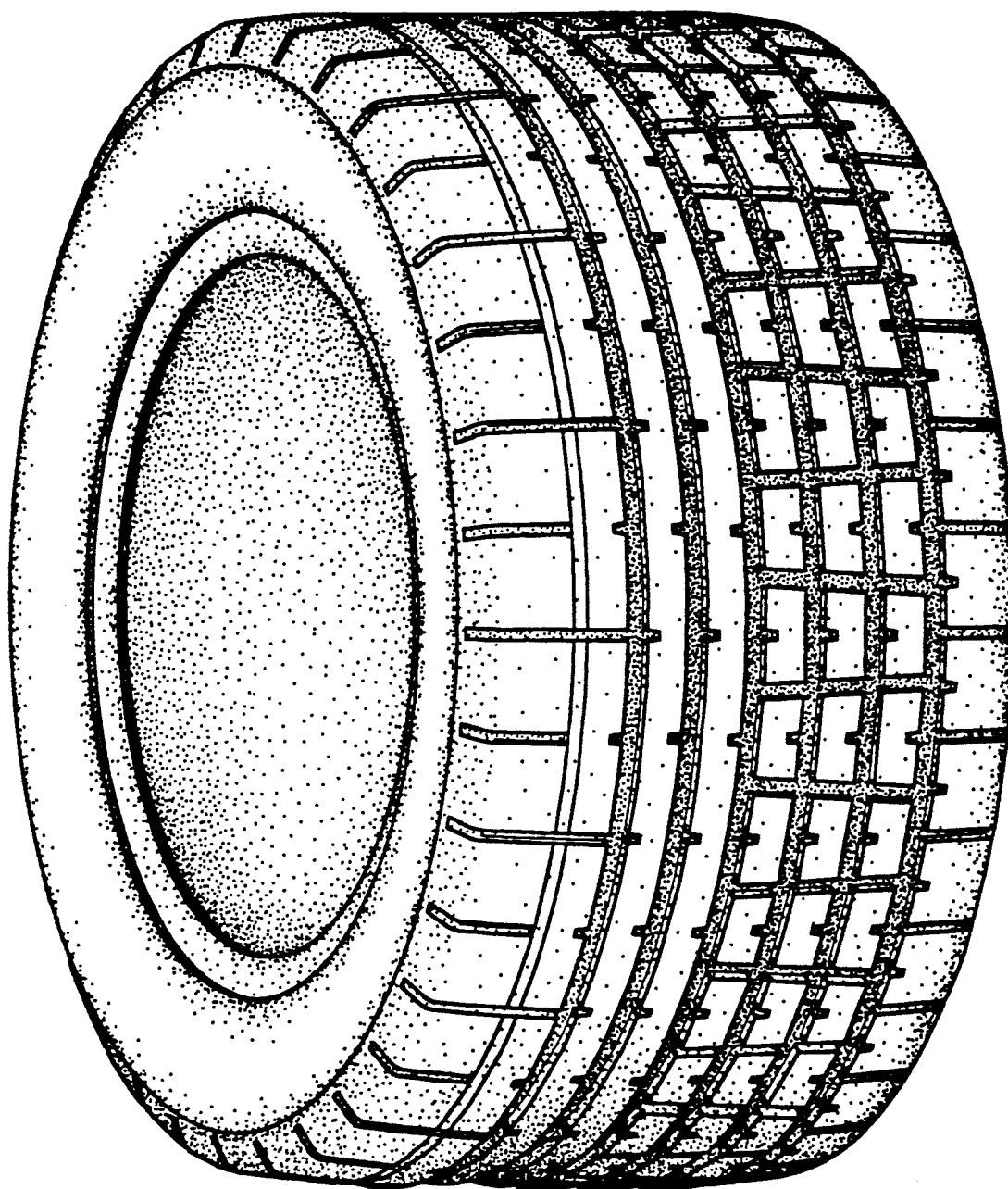


Fig.8

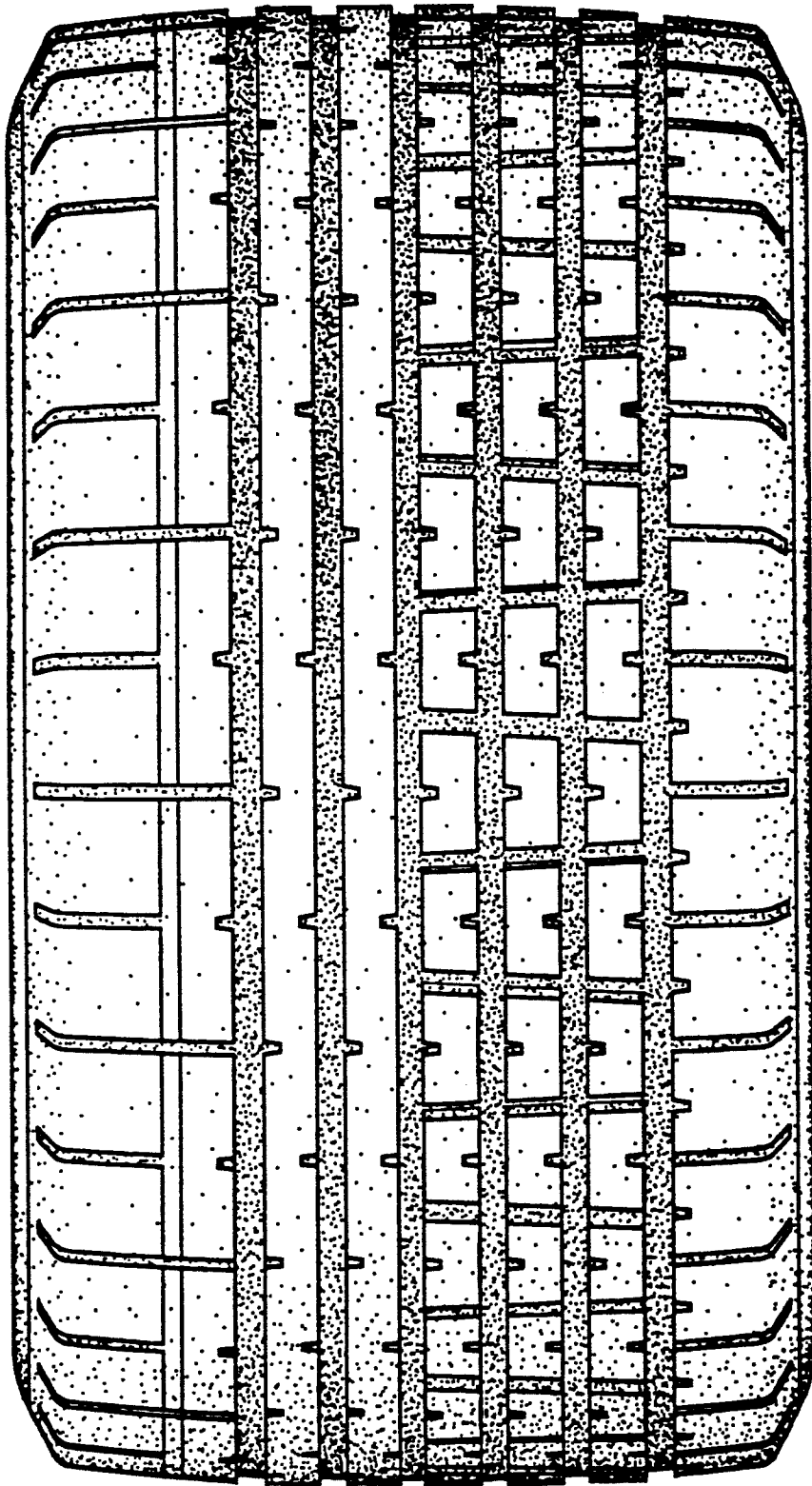


Fig.9

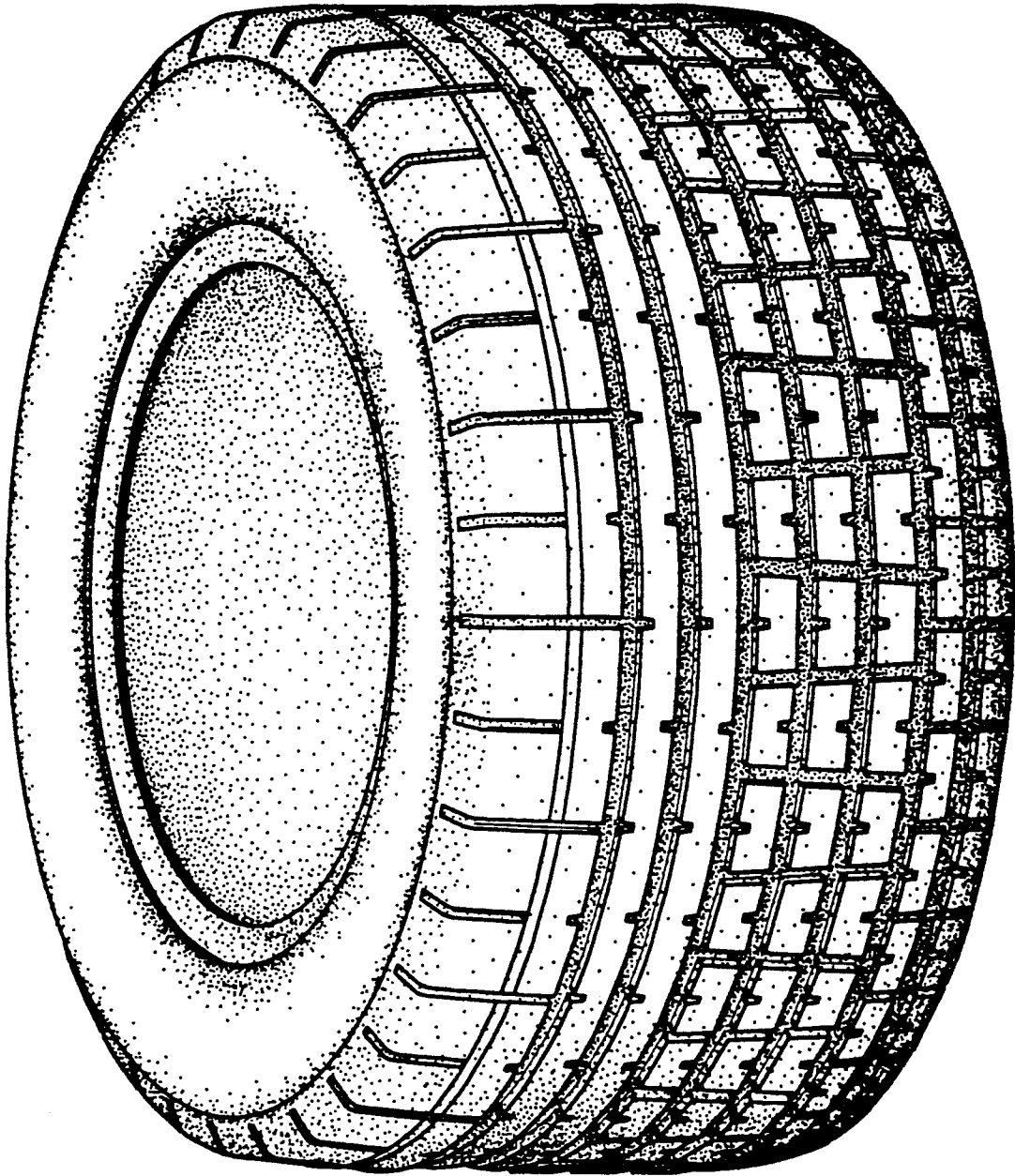


Fig.10

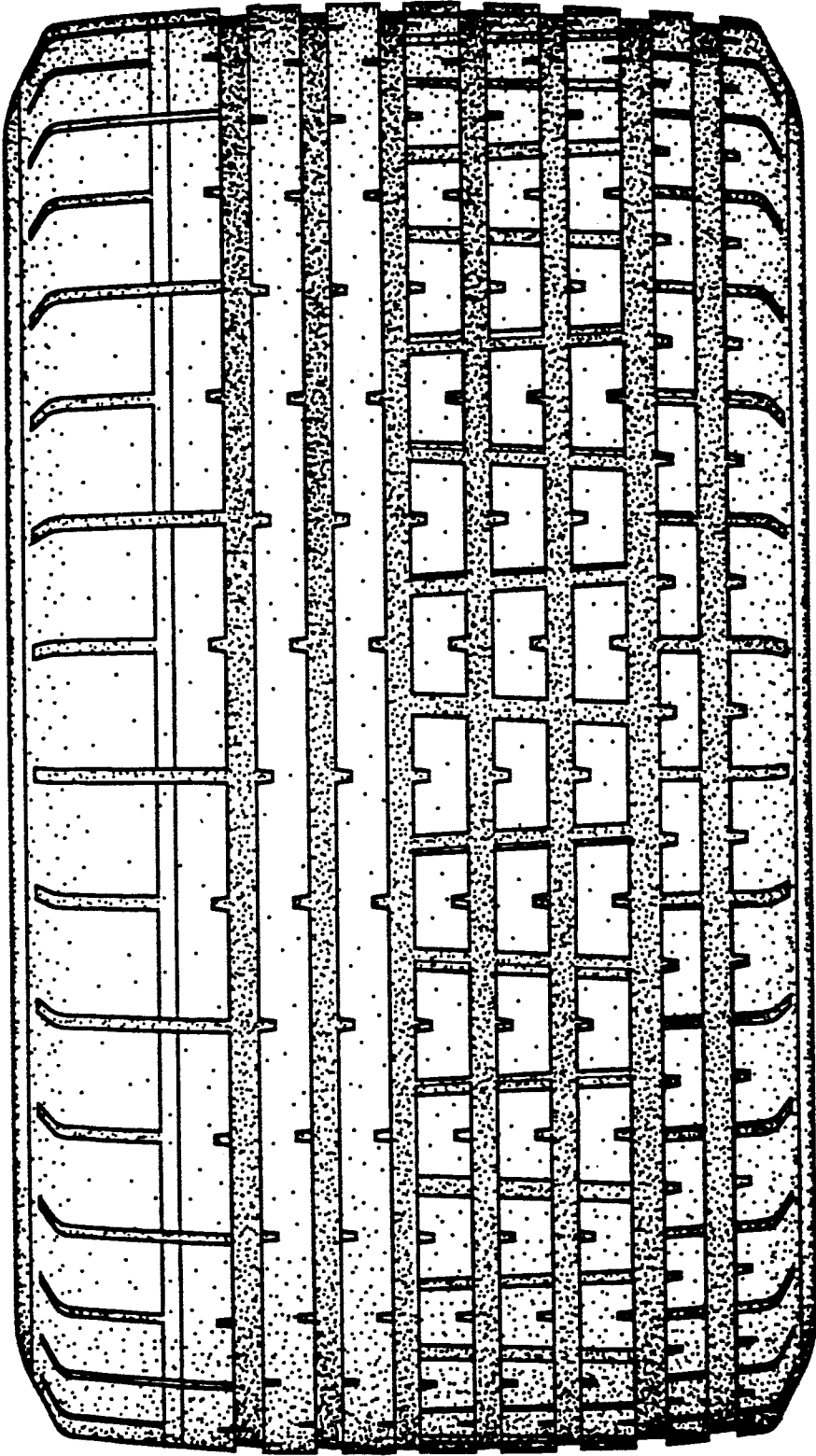


Fig.11