



(12) **United States Design Patent** (10) **Patent No.:** **US D904,975 S**
Nakayashiki et al. (45) **Date of Patent:** **** Dec. 15, 2020**

(54) **SOLAR CELL**
 (71) Applicant: **REC Solar Pte. Ltd.**, Singapore (SG)
 (72) Inventors: **Kenta Nakayashiki**, Singapore (SG);
Bjoern Erik Andersson, Singapore (SG)
 (73) Assignee: **REC Solar Pte. Ltd.**, Singapore (SG)
 (**) Term: **15 Years**
 (21) Appl. No.: **29/726,616**
 (22) Filed: **Mar. 4, 2020**

Related U.S. Application Data

(63) Continuation of application No. 29/704,794, filed on Sep. 6, 2019, now Pat. No. Des. 889,393.

(30) **Foreign Application Priority Data**

Mar. 8, 2019 (EM) 006297073

(51) **LOC (12) Cl.** **13-02**

(52) **U.S. Cl.**
 USPC **D13/102**

(58) **Field of Classification Search**

USPC D13/102, 101, 103, 118, 120, 121, 184,
 D13/199; 126/569, 580, 581, 611, 621,
 126/622, 623; 136/200, 243, 244,
 136/246–265; 438/66, 72, 80; 52/173.3;
 D6/300, 301, 314, 703.2; D25/60
 CPC ... H01L 31/042; H01L 31/048; H01L 31/049;
 H01L 31/052; H01L 31/0203; H01L
 31/02008; H01L 31/0508; H01L
 31/02168; H01L 31/0687; F24J 2/05;
 F24J 2/0015; F24J 2/0455; F24J 2/42;
 F24J 2/46; F24J 2/52; F24J 2/5205; F24J
 2/5258; C03B 13/14; E04D 13/18; G03B
 21/54; G03B 21/64; G02F 1/163; G02F
 1/133308; G06F 1/20; E06B 9/52; Y10S
 55/31; H02S 10/30; Y02E 10/50; Y02E
 10/544

See application file for complete search history.

(56) **References Cited**

U.S. PATENT DOCUMENTS

D442,139 S * 5/2001 Sasaoka D13/102
 D644,987 S * 9/2011 Casler D13/102
 D662,040 S * 6/2012 Yang D13/102
 D716,218 S * 10/2014 Loeckenhoff D13/102
 D765,024 S * 8/2016 Crist D13/102
 D767,484 S * 9/2016 Morad D13/102
 D784,256 S * 4/2017 Steinfeldt D13/102
 D823,237 S * 7/2018 Albright D13/102
 2018/0062011 A1* 3/2018 Crist H01L 31/044

FOREIGN PATENT DOCUMENTS

EM 002065391-0005 6/2012
 EM 006264107-0004 2/2019
 EM 006538104-0001 5/2019
 EM 006573630-0001 6/2019

* cited by examiner

Primary Examiner — Derrick E Holland
 (74) *Attorney, Agent, or Firm* — Leason Ellis LLP

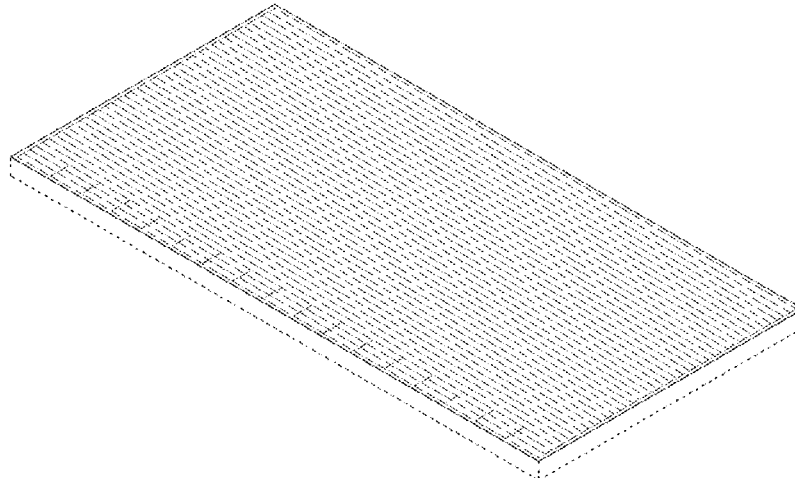
(57) **CLAIM**

The ornamental design for a solar cell, as shown and described.

DESCRIPTION

FIG. 1 is a top perspective view of a solar cell according to our new design;
 FIG. 2 is a top view thereof;
 FIG. 3 is a bottom view thereof;
 FIG. 4 is a front view thereof;
 FIG. 5 is a rear view thereof;
 FIG. 6 is a right side view thereof; and,
 FIG. 7 is a left side view thereof.
 The broken lines in the drawings represent environmental subject matter and form no part of the claimed design.

1 Claim, 7 Drawing Sheets



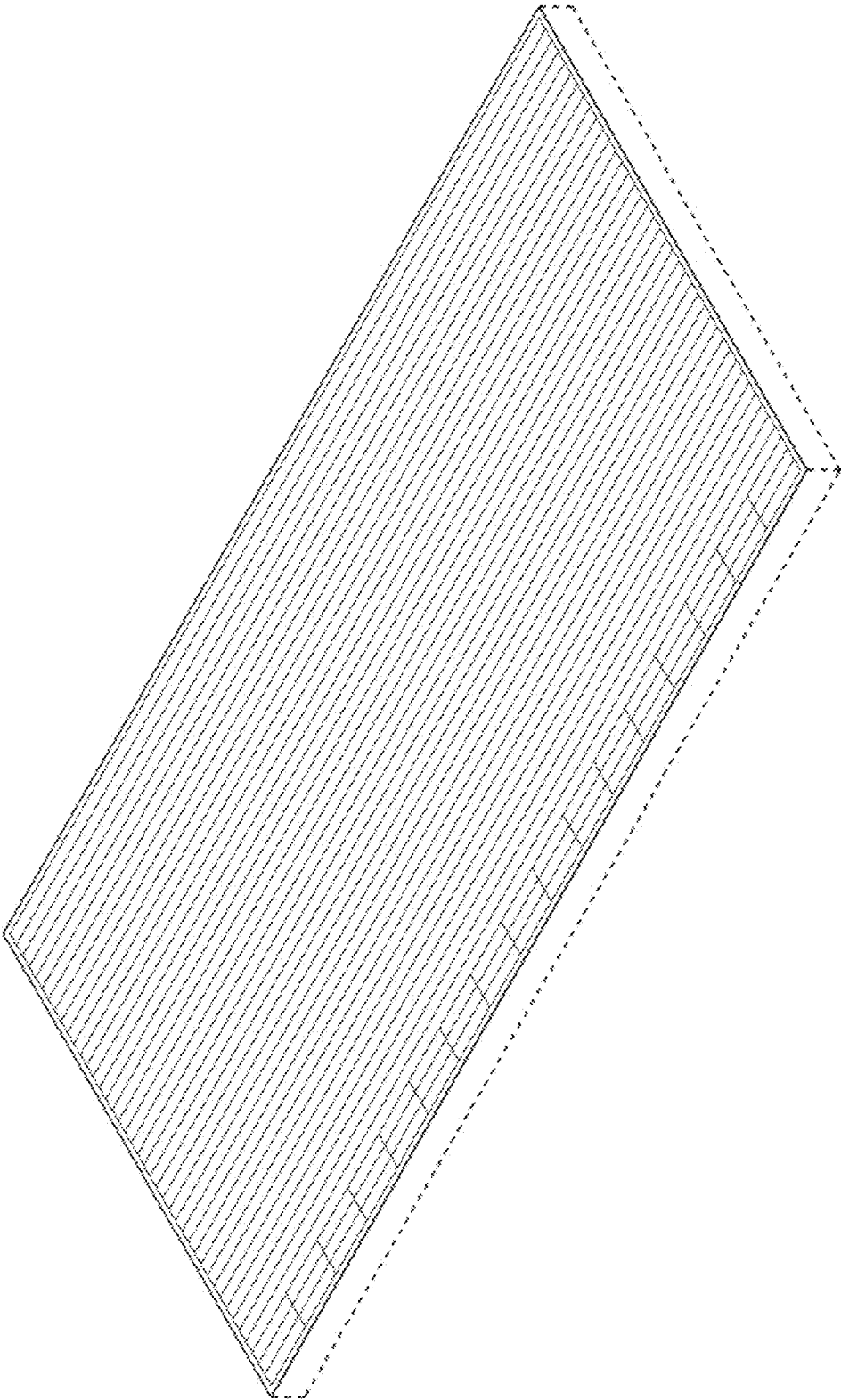


FIG. 1

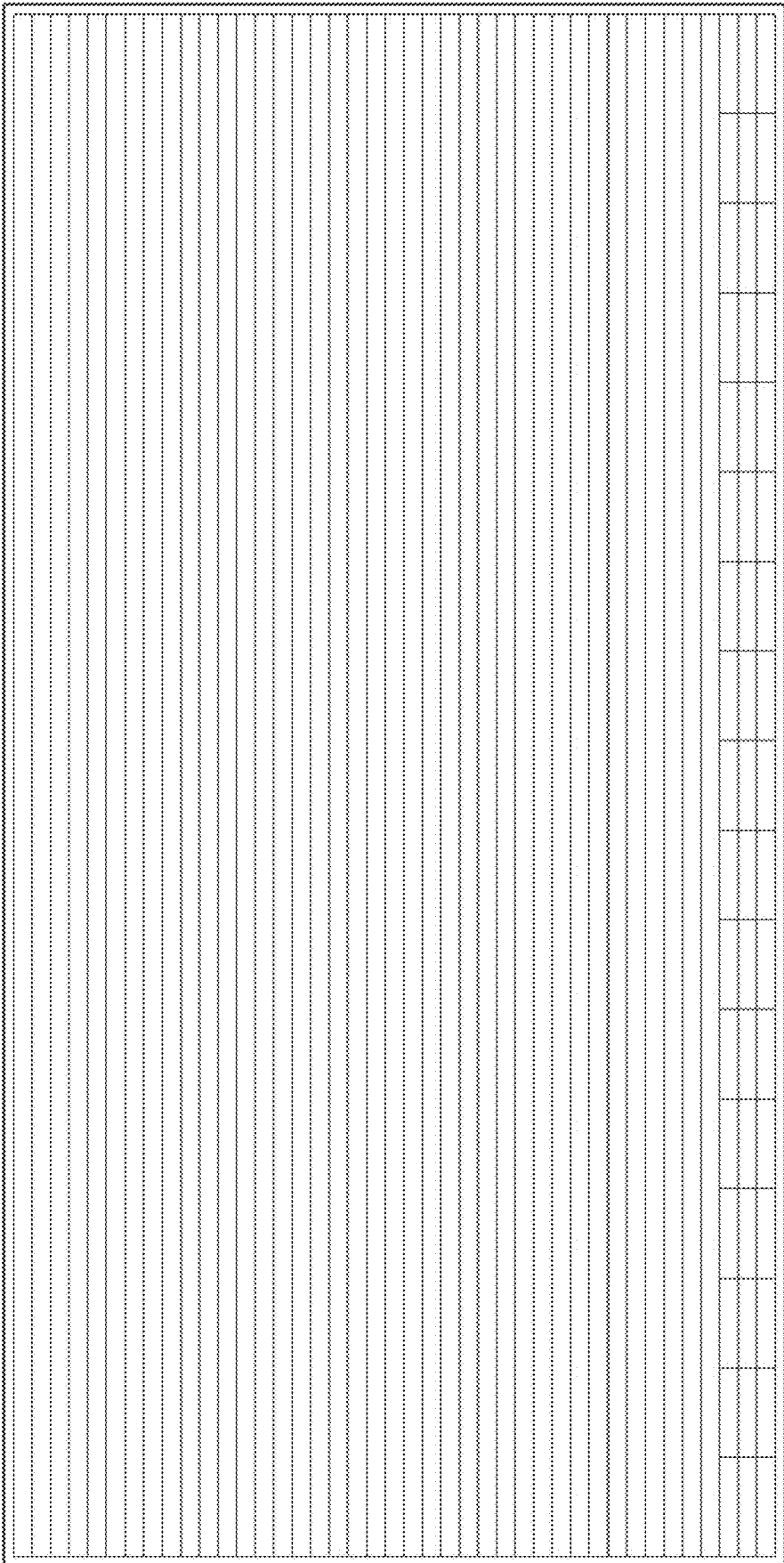


FIG. 2



FIG. 3

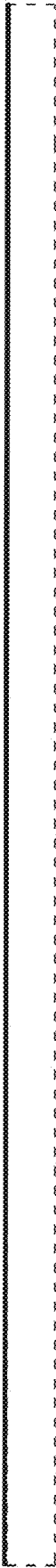


FIG. 4

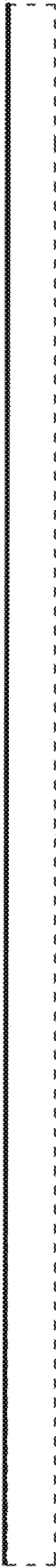


FIG. 5



FIG. 6



FIG. 7