



US00D613296S

(12) **United States Design Patent**
Hattori

(10) **Patent No.:** **US D613,296 S**

(45) **Date of Patent:** **** Apr. 6, 2010**

(54) **RADIO FREQUENCY IDENTIFICATION TAG READER**

(75) Inventor: **Satoru Hattori**, Nagoya (JP)

(73) Assignee: **Brother Industries, Ltd.**, Nagoya (JP)

(**) Term: **14 Years**

(21) Appl. No.: **29/340,695**

(22) Filed: **Jul. 23, 2009**

(30) **Foreign Application Priority Data**

Feb. 17, 2009 (JP) 2009-3142

(51) **LOC (9) Cl.** **14-02**

(52) **U.S. Cl.** **D14/453; D14/426**

(58) **Field of Classification Search** D14/420,
D14/426-430, 453, 346, 341, 347, 412; D13/107,
D13/184; 358/473; 235/462.43, 462.45,
235/462.47, 462.48, 462.44, 462.46, 487,
235/472.01, 472.02; 16/110.1, 430, 431;
439/133, 135; 709/219, 201; 710/73; 320/114,
320/115, 123; 361/679; 382/313, 321; 455/575.1,
455/561, 572

See application file for complete search history.

(56) **References Cited**

U.S. PATENT DOCUMENTS

- D289,291 S * 4/1987 Kapper D14/389
- D311,393 S * 10/1990 Weaver et al. D14/420
- D318,658 S * 7/1991 Stoddard et al. D14/430
- D341,584 S * 11/1993 Shepard et al. D14/428
- 5,496,992 A * 3/1996 Madan et al. 235/472.02
- 5,546,471 A * 8/1996 Merjanian 382/124

- 5,844,228 A * 12/1998 Nukui et al. 235/472.01
- D435,557 S * 12/2000 Eisenberg et al. D14/428
- D518,482 S * 4/2006 Hodges et al. D14/426
- 7,051,943 B2 * 5/2006 Leone et al. 235/462.45
- 7,161,470 B2 * 1/2007 Berquist et al. 340/10.31
- D544,485 S * 6/2007 Chen et al. D14/428
- D558,624 S * 1/2008 Perez et al. D10/104
- D583,822 S * 12/2008 Matsumoto et al. D14/453
- 2004/0046027 A1 * 3/2004 Leone et al. 235/462.13

* cited by examiner

Primary Examiner—Susan Moon Lee

(74) *Attorney, Agent, or Firm*—Oliff & Berridge, PLC

(57) **CLAIM**

The ornamental design for a radio frequency identification tag reader, as shown and described.

DESCRIPTION

FIG. 1 is a perspective view of a radio frequency identification tag reader;

FIG. 2 is a front view thereof;

FIG. 3 is a top view thereof;

FIG. 4 is a right-side view thereof;

FIG. 5 is a left-side view thereof;

FIG. 6 is a rear view thereof;

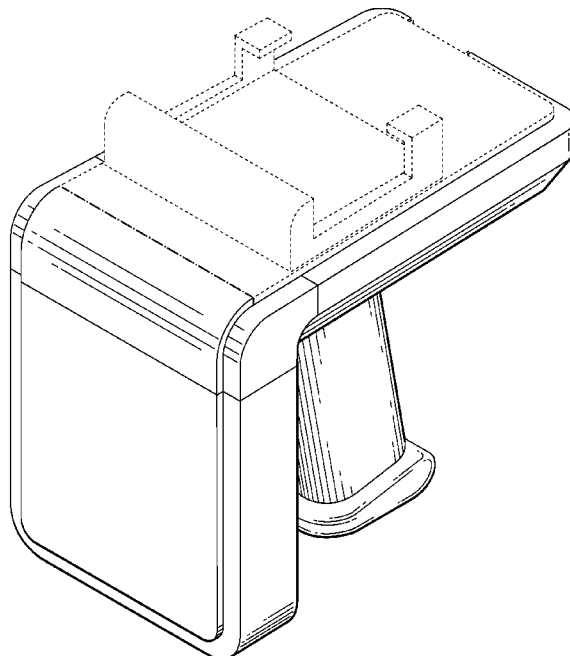
FIG. 7 is a bottom view thereof; and,

FIG. 8 is another perspective view thereof.

The broken lines depict environmental subject matter only and form no part of the claimed design.

The dot-chain lines illustrate a border of the claimed subject matter and form no part of the claimed design.

1 Claim, 8 Drawing Sheets



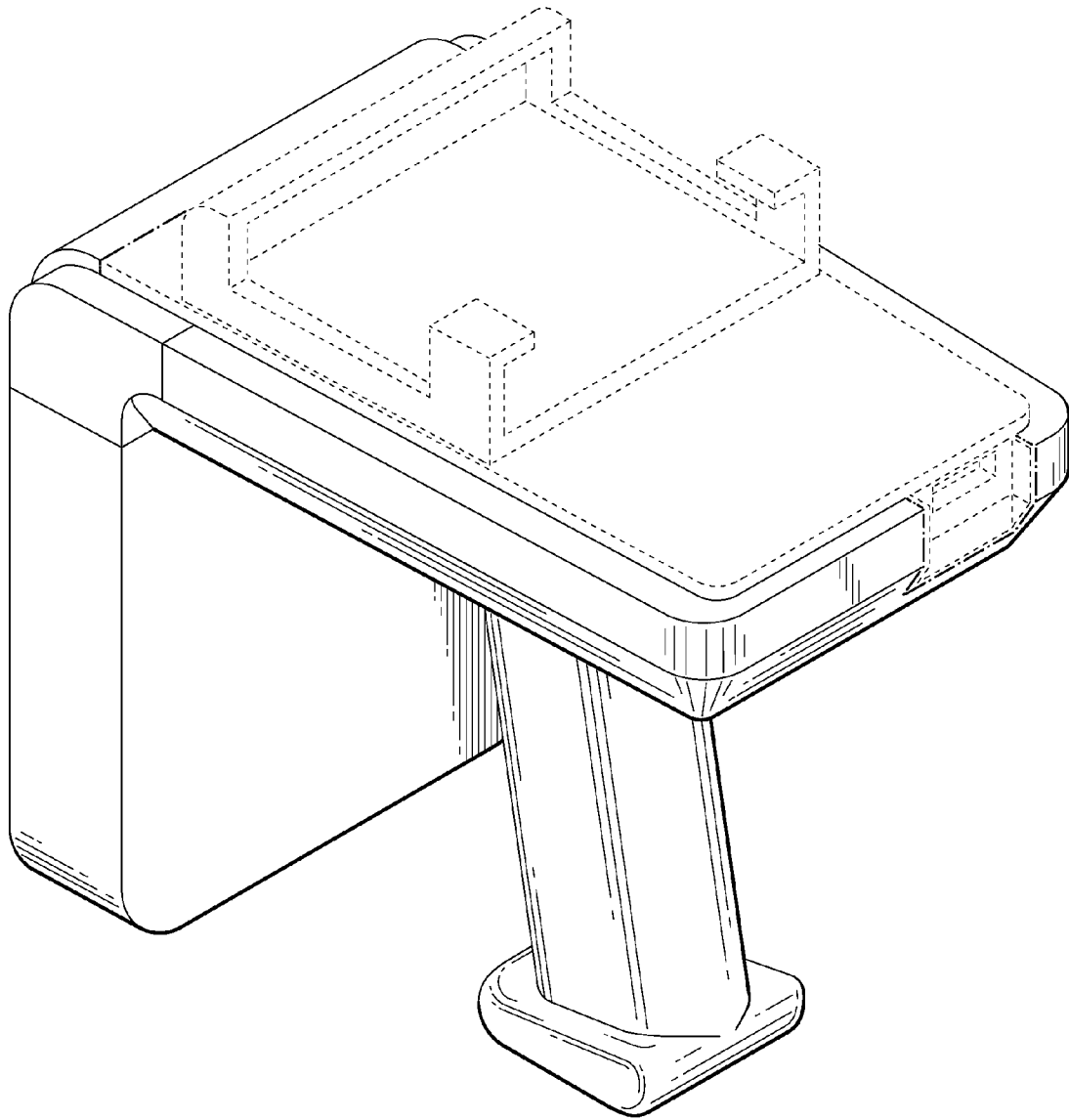


FIG. 1

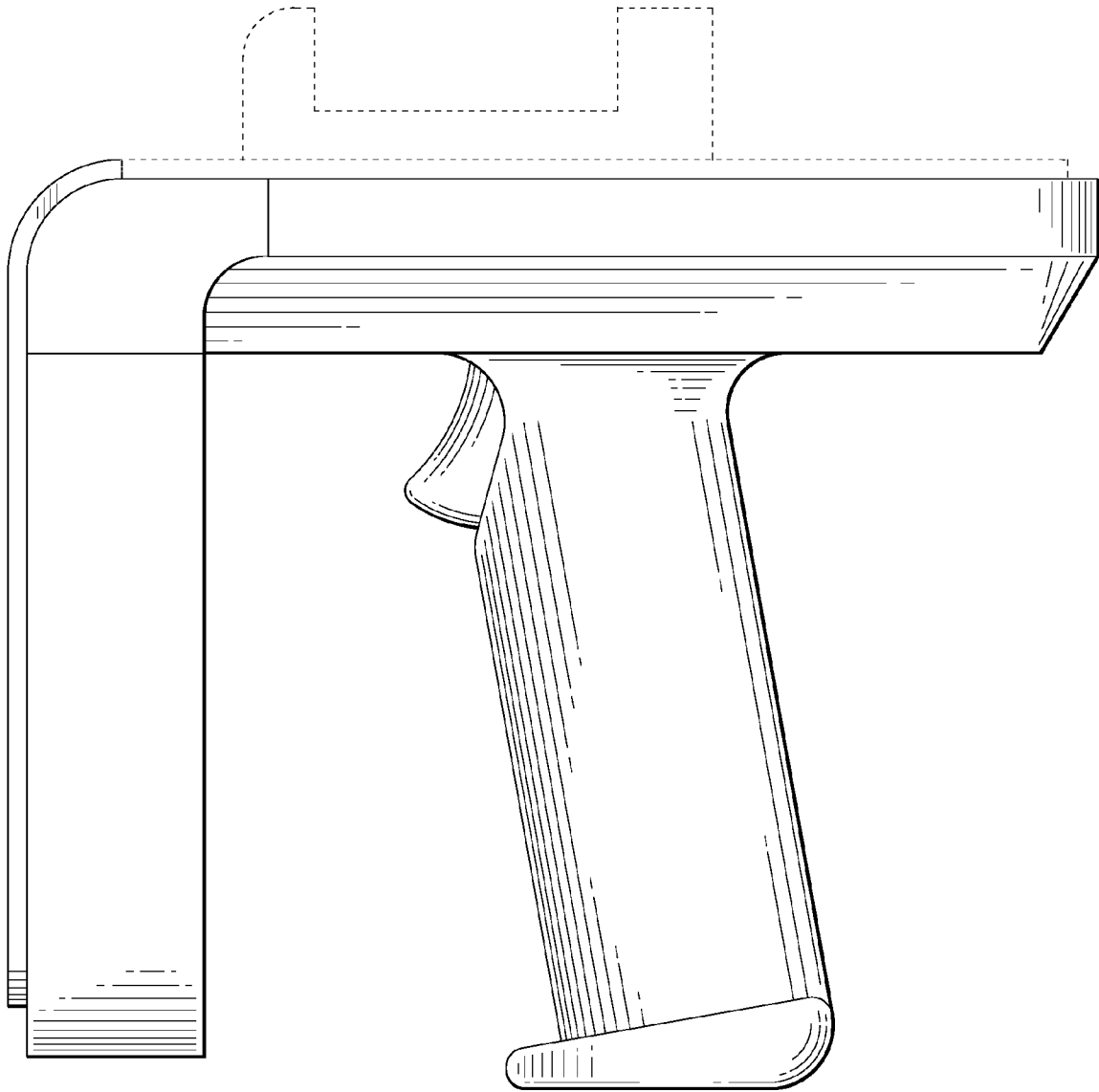


FIG. 2

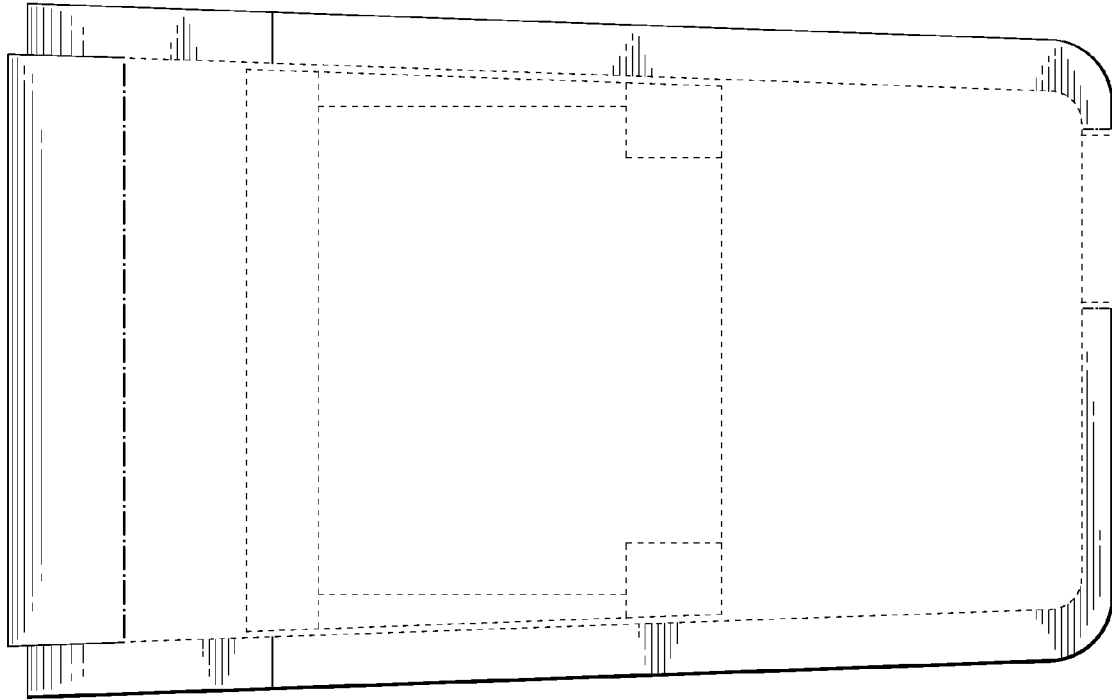


FIG. 3

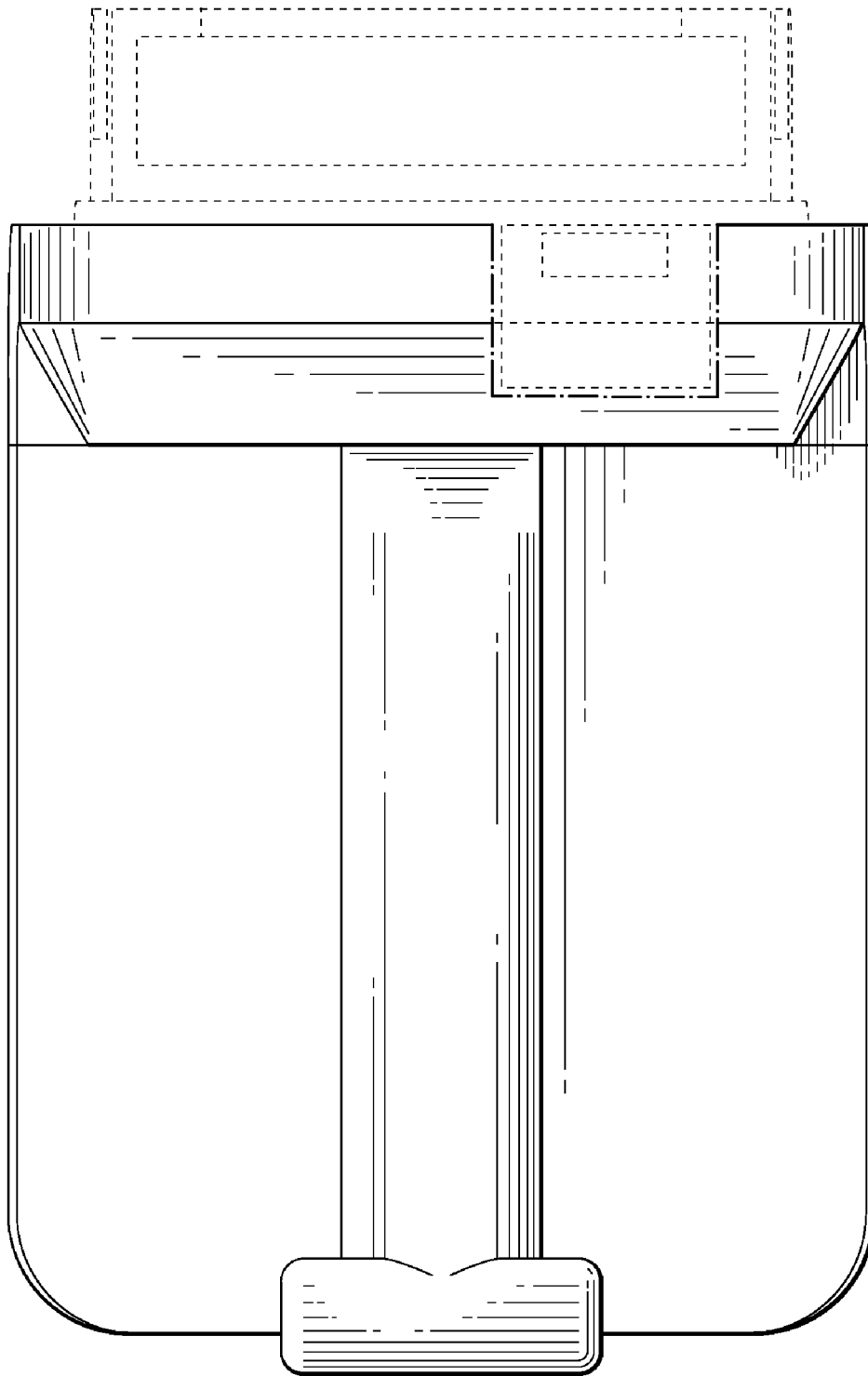


FIG. 4

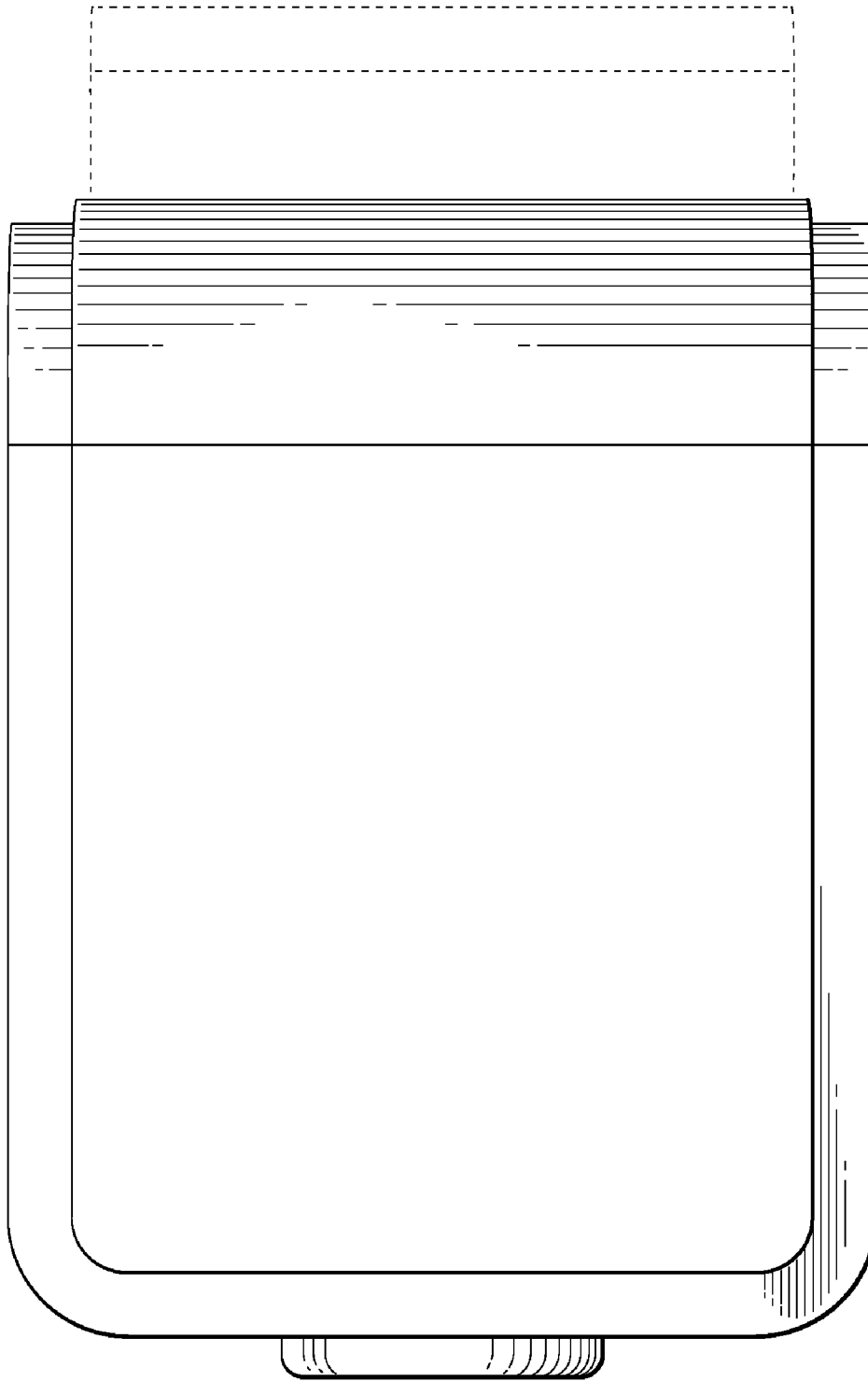


FIG. 5

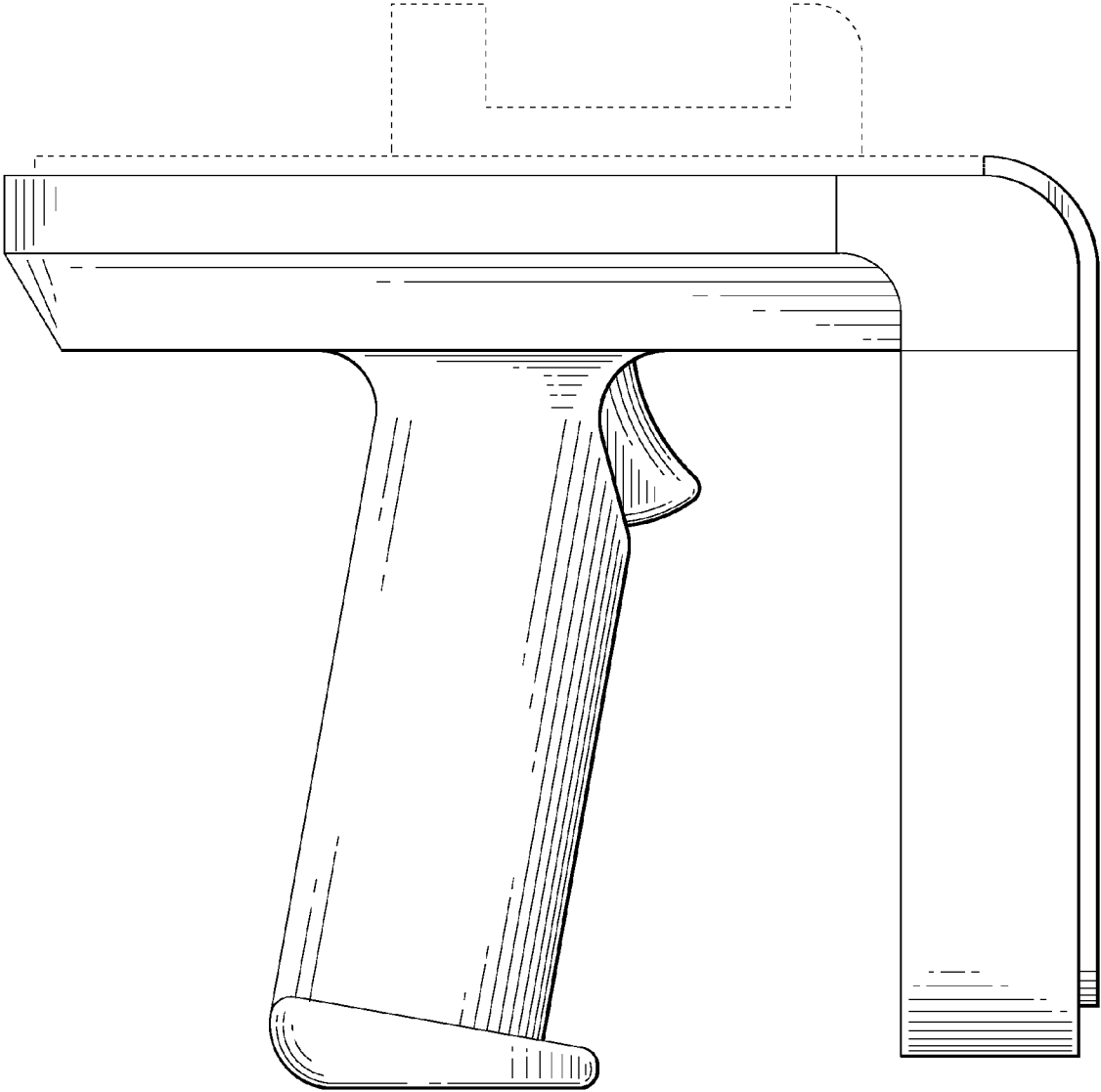


FIG. 6

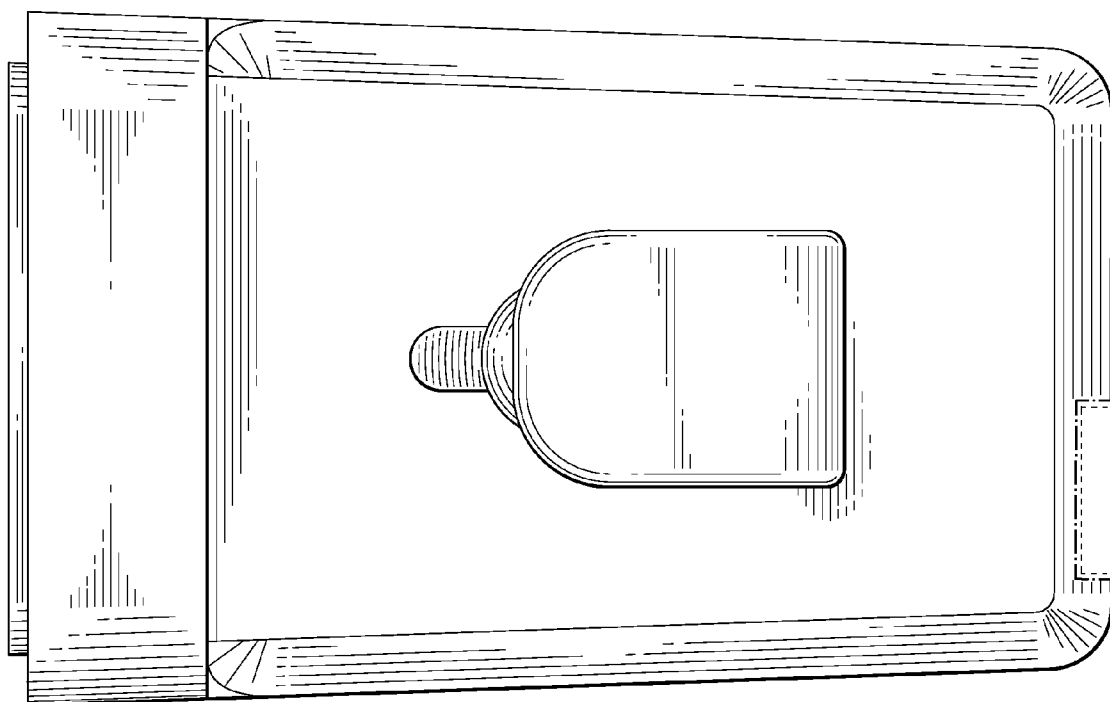


FIG. 7

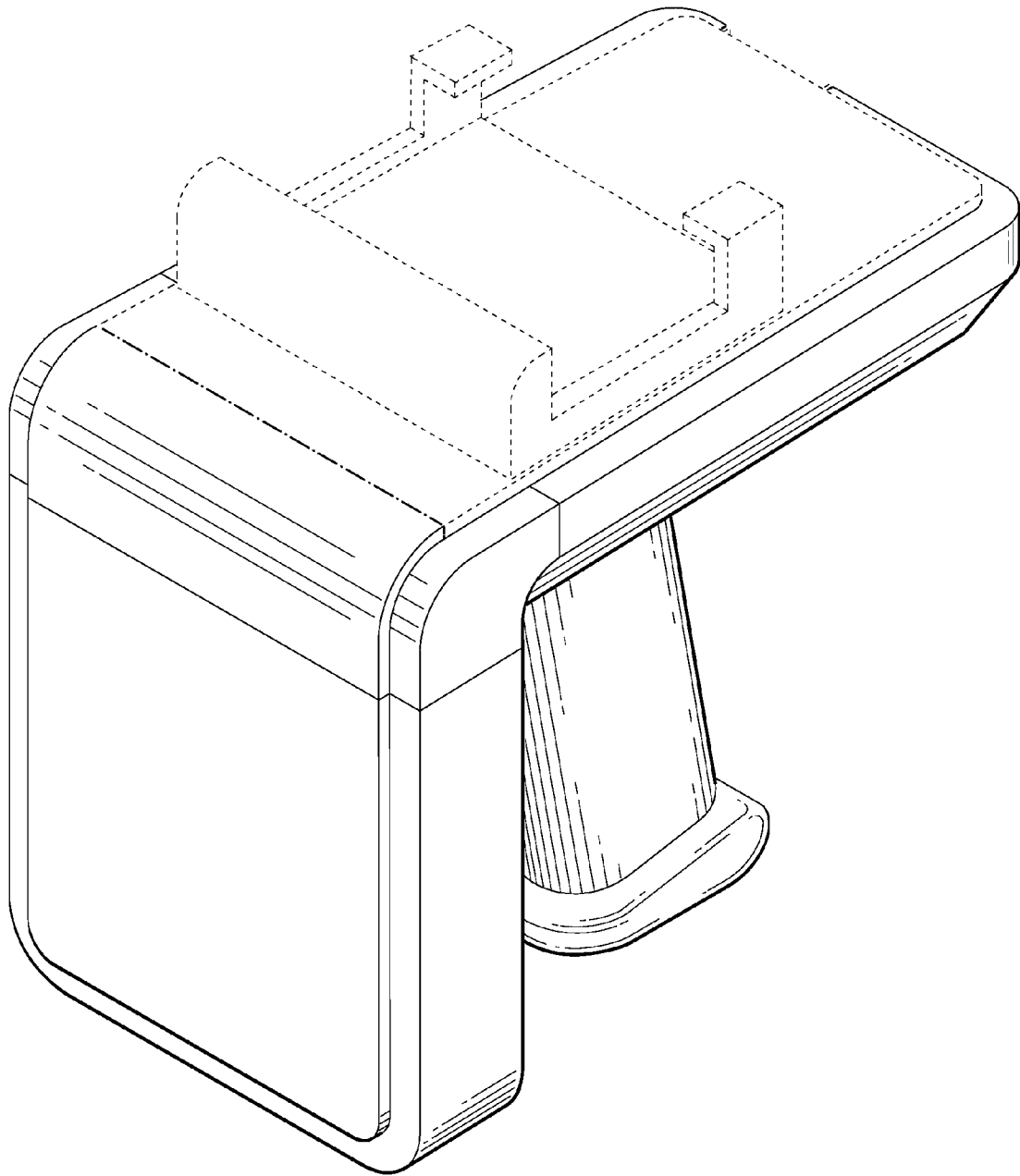


FIG. 8