

[54] **BUMPER EXTENSION**

[75] **Inventor: Jan Wilsgaard, Kullavik, Sweden**

[73] **Assignee: Aktiebolaget Volvo, Gothenburg, Sweden**

[**] **Term: 14 Years**

[21] **Appl. No.: 393,703**

[22] **Filed: Jun. 30, 1982**

[30] **Foreign Application Priority Data**

Dec. 30, 1981 [SE] Sweden 81-3068

[52] **U.S. Cl. D12/172**

[58] **Field of Search D12/169, 172; 293/126, 293/128, 149, 141, 154, 120, 102**

[56] **References Cited**

U.S. PATENT DOCUMENTS

D. 247,745 4/1978 Tixier D12/172

OTHER PUBLICATIONS

Motor Trend, 8/81, p. 76, Wrap Around Portion Of Front Bumper Of Mercury Lynx.

Motor Trend, 11/81, p. 29, Side Extension Of Front Bumper Of 1982 Honda Accord, center of page.

Primary Examiner—James M. Gandy
Attorney, Agent, or Firm—Young & Thompson

[57] **CLAIM**

The ornamental design for a bumper extension, as shown.

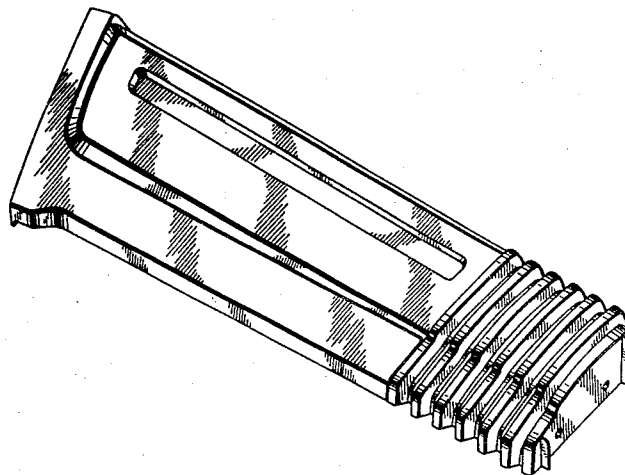
DESCRIPTION

FIG. 1 is a bottom front perspective view of the outside of a bumper extension showing my new design;

FIG. 2 is a top front perspective view of the outside thereof;

FIG. 3 is a top rear perspective view of the inside thereof; and

FIG. 4 is a bottom rear perspective view of the inside thereof.



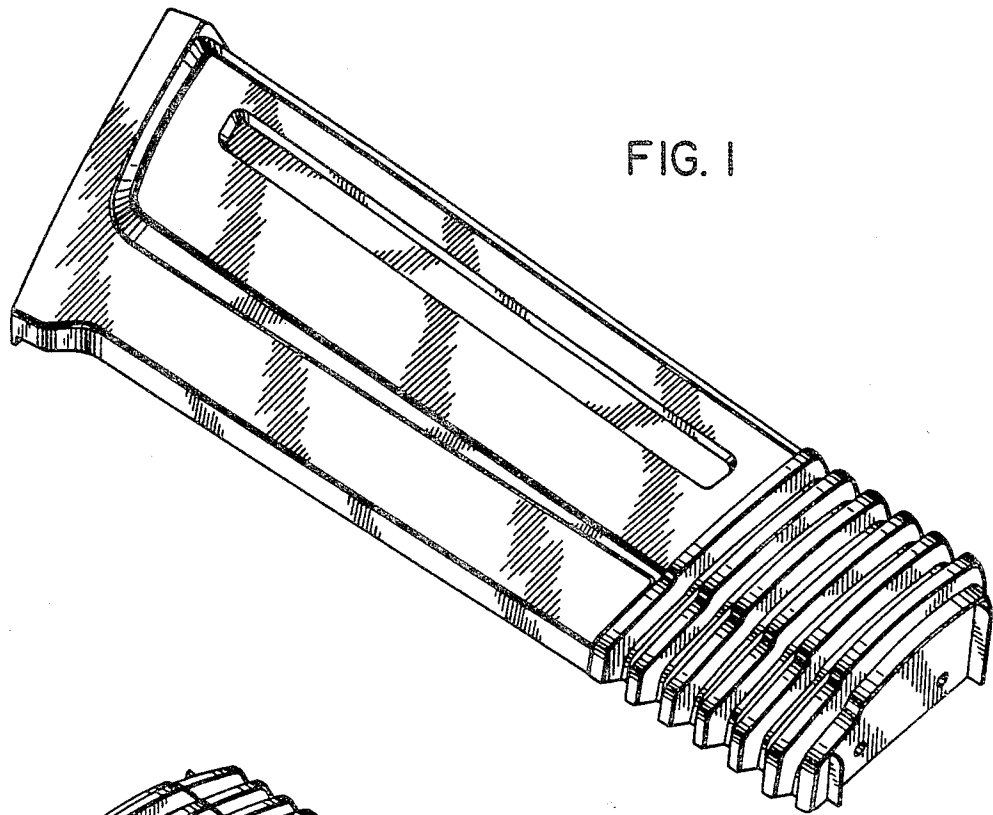


FIG. 1

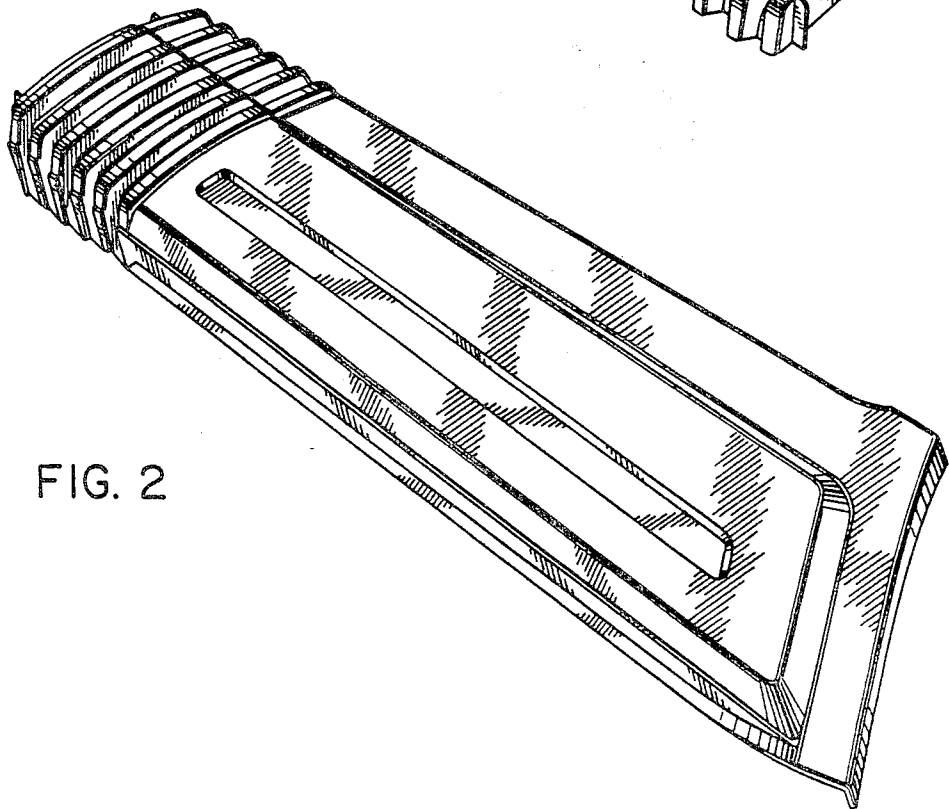


FIG. 2

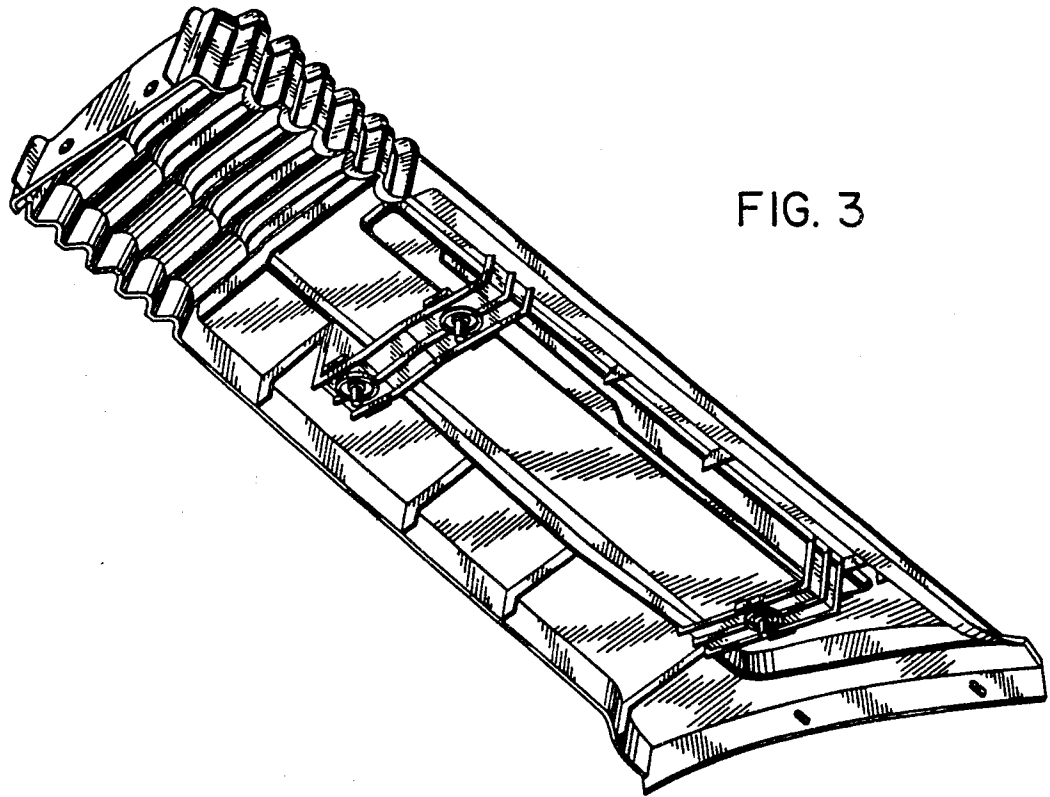


FIG. 3

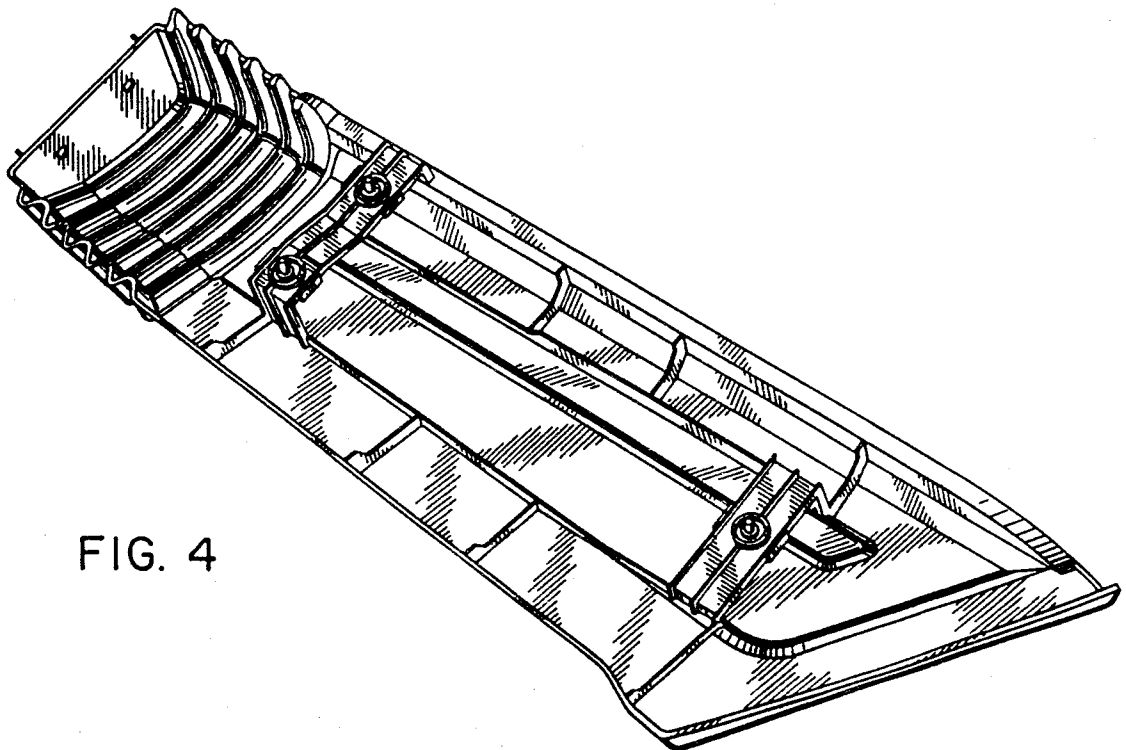


FIG. 4