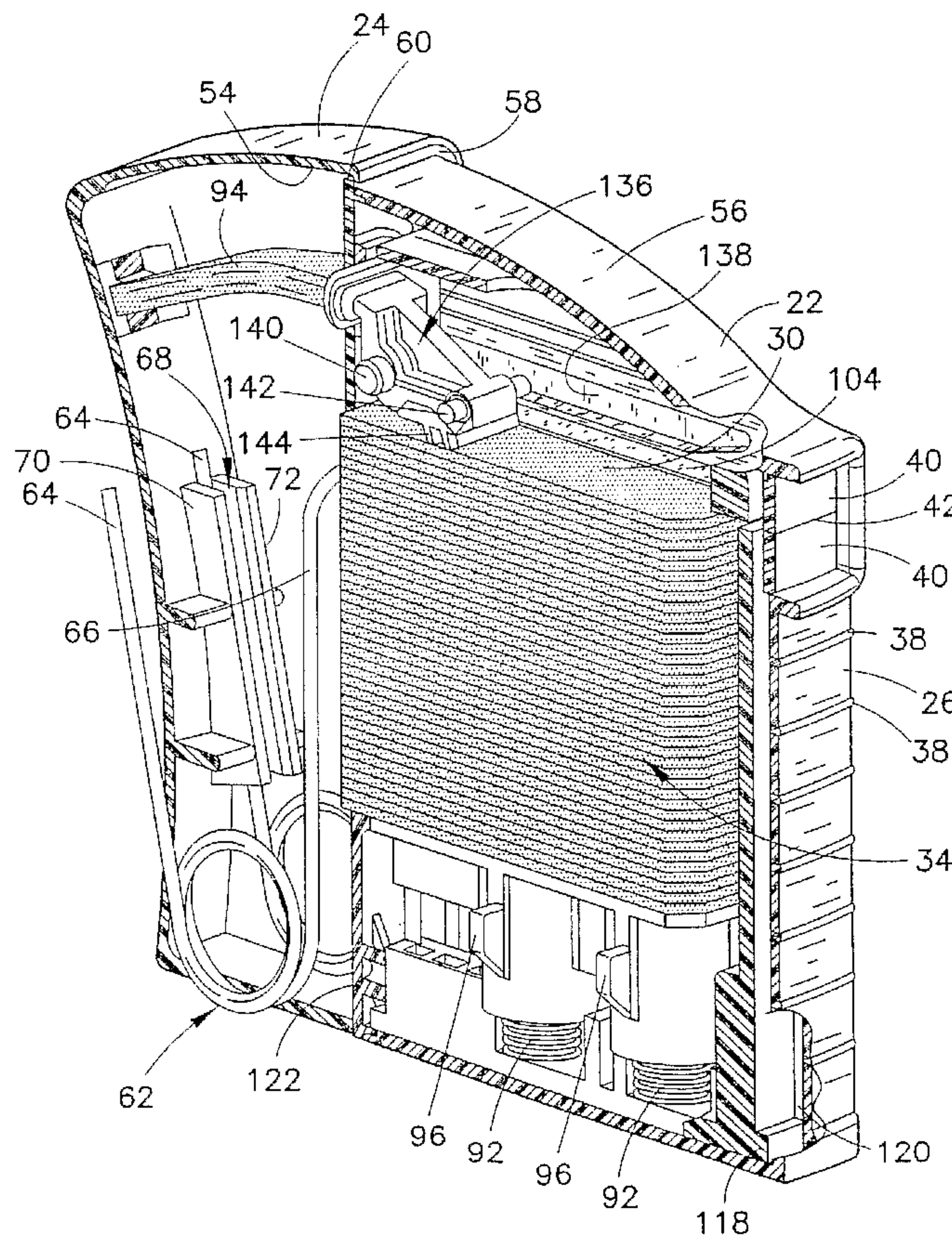




(86) Date de dépôt PCT/PCT Filing Date: 2004/06/18  
 (87) Date publication PCT/PCT Publication Date: 2006/01/26  
 (85) Entrée phase nationale/National Entry: 2006/12/12  
 (86) N° demande PCT/PCT Application No.: US 2004/019419  
 (87) N° publication PCT/PCT Publication No.: 2006/009534

(51) Cl.Int./Int.Cl. *G01N 33/487* (2006.01)  
 (71) Demandeur/Applicant:  
 F. HOFFMANN-LA ROCHE AG, CH  
 (72) Inventeurs/Inventors:  
 FUNKE, TOM, US;  
 JOSEPH, ABNER D., US;  
 ARNOLD, PETER L., DE;  
 MEADOR, JAMES, US;  
 MILLER, THOMAS, US;  
 YODER, RANDY EDWARD, US;  
 CASLER, DANIEL PAUL, US  
 (74) Agent: OGILVY RENAULT LLP/S.E.N.C.R.L.,S.R.L.

(54) Titre : **DISTRIBUTEUR D'ARTICLES APLATIS COMME DES BANDETTES DE DIAGNOSTIC**  
 (54) Title: **DISPENSER FOR FLATTENED ARTICLES SUCH AS DIAGNOSTIC TEST STRIPS**



(57) **Abrégé/Abstract:**

A substantially moisture-proof, airtight dispenser (20) for both storing and dispensing several flattened articles such as diagnostic test strips (30). The inventive dispenser (20) includes a novel pivotable housing (22,24) that a user need merely grab and squeeze

(57) **Abrégé(suite)/Abstract(continued):**

to eject a test strip (30). Independent movement of the user's fingers to push a button or turn a knob is unnecessary to dispense a strip, which makes the present invention well suited for diabetics suffering from nerve damage in their extremities and other complications resulting from the disease. The invention includes a novel flexible arm member (94) and pusher head (136) that engage and push an article from the dispenser as the two parts of the housing are pivoted together. The articles are dispensed through an exit that is configured with a novel flexible seal (42) that maintains the dispenser substantially airtight. Several inventive seal embodiments and methods of making the same are disclosed.

(12) INTERNATIONAL APPLICATION PUBLISHED UNDER THE PATENT COOPERATION TREATY (PCT)

CORRECTED VERSION

(19) World Intellectual Property Organization  
International Bureau(43) International Publication Date  
26 January 2006 (26.01.2006)

PCT

(10) International Publication Number  
**WO 2006/009534 A1**(51) International Patent Classification<sup>7</sup>: **G01N 33/487**(21) International Application Number:  
PCT/US2004/019419

(22) International Filing Date: 18 June 2004 (18.06.2004)

(25) Filing Language: English

(26) Publication Language: English

(71) Applicant (for DE only): **ROCHE DIAGNOSTICS GMBH** [DE/DE]; Sandhofer Strasse 116, D-68298 Mannheim (DE).(71) Applicant (for all designated States except DE): **F. HOFFMANN-LA ROCHE AG** [CH/CH]; Grenzacherstrasse 124, CH-4070 Basel (CH).

(72) Inventors; and

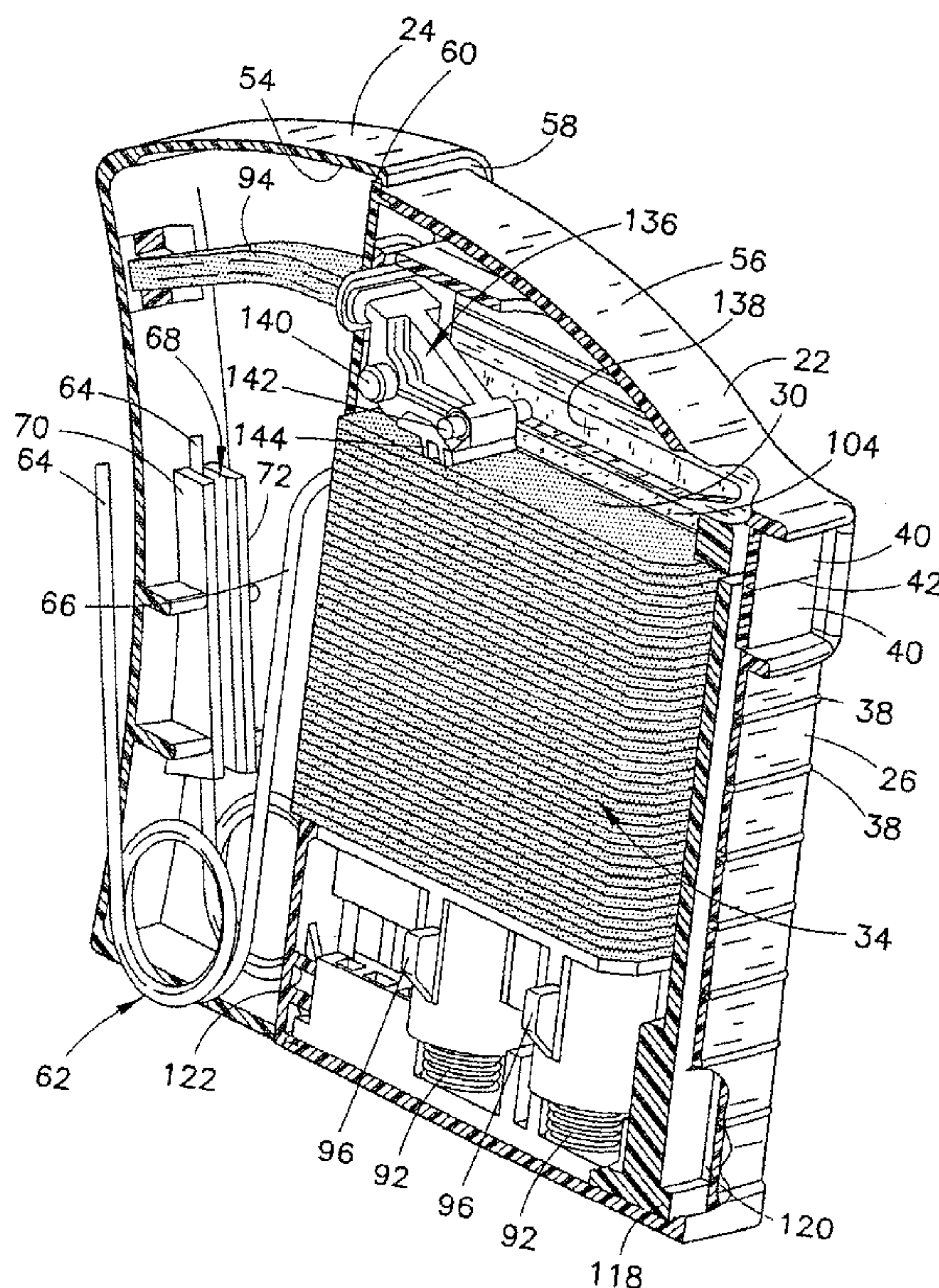
(75) Inventors/Applicants (for US only): **FUNKE, Tom** [US/US]; 10216 Bosloe Drive, Carmel, IN 46032 (US).**JOSEPH, Abner, D.** [US/US]; 3691 Gould Drive, Carmel, IN 46033 (US). **ARNOLD, Peter, L.** [DE/DE]; Ernst-Schneider-Strasse 7, D-64646 Heppenheim (DE).(74) Agents: **BARTOL, Michael, C.** et al.; Woodard, Emhardt, Moriarty, Mcnett & Henry LLP, Bank One Center/Tower, Suite 3700, 111 Monument Circle, Indianapolis, IN 46204 (US).

(81) Designated States (unless otherwise indicated, for every kind of national protection available): AE, AG, AL, AM, AT, AU, AZ, BA, BB, BG, BR, BW, BY, BZ, CA, CH, CN, CO, CR, CU, CZ, DE, DK, DM, DZ, EC, EE, EG, ES, FI, GB, GD, GE, GH, GM, HR, HU, ID, IL, IN, IS, JP, KE, KG, KP, KR, KZ, LC, LK, LR, LS, LT, LU, LV, MA, MD, MG, MK, MN, MW, MX, MZ, NA, NI, NO, NZ, OM, PG, PH, PL, PT, RO, RU, SC, SD, SE, SG, SK, SL, SY, TJ, TM, TN, TR, TT, TZ, UA, UG, US, UZ, VC, VN, YU, ZA, ZM, ZW.

(84) Designated States (unless otherwise indicated, for every kind of regional protection available): ARIPO (BW, GH,

[Continued on next page]

(54) Title: DISPENSER FOR FLATTENED ARTICLES SUCH AS DIAGNOSTIC TEST STRIPS



(57) Abstract: A substantially moisture-proof, airtight dispenser (20) for both storing and dispensing several flattened articles such as diagnostic test strips (30). The inventive dispenser (20) includes a novel pivotable housing (22,24) that a user need merely grab and squeeze to eject a test strip (30). Independent movement of the user's fingers to push a button or turn a knob is unnecessary to dispense a strip, which makes the present invention well suited for diabetics suffering from nerve damage in their extremities and other complications resulting from the disease. The invention includes a novel flexible arm member (94) and pusher head (136) that engage and push an article from the dispenser as the two parts of the housing are pivoted together. The articles are dispensed through an exit that is configured with a novel flexible seal (42) that maintains the dispenser substantially airtight. Several inventive seal embodiments and methods of making the same are disclosed.

WO 2006/009534 A1

**WO 2006/009534 A1**

GM, KE, LS, MW, MZ, NA, SD, SL, SZ, TZ, UG, ZM, ZW), Eurasian (AM, AZ, BY, KG, KZ, MD, RU, TJ, TM), European (AT, BE, BG, CH, CY, CZ, DE, DK, EE, ES, FI, FR, GB, GR, HU, IE, IT, LU, MC, NL, PL, PT, RO, SE, SI, SK, TR), OAPI (BF, BJ, CF, CG, CI, CM, GA, GN, GQ, GW, ML, MR, NE, SN, TD, TG).

**Published:**

— with international search report

**(48) Date of publication of this corrected version:**

6 April 2006

**(15) Information about Correction:**

see PCT Gazette No. 14/2006 of 6 April 2006

*For two-letter codes and other abbreviations, refer to the "Guidance Notes on Codes and Abbreviations" appearing at the beginning of each regular issue of the PCT Gazette.*

## **DISPENSER FOR FLATTENED ARTICLES**

5

### **FIELD OF THE INVENTION**

The present invention relates generally to dispensers and more particularly to dispensers for flattened articles such as test strips.

### **BACKGROUND**

10 Test strips or biosensors for measuring the presence or concentrations of selected analytes in test samples are well known. Typically, several of the test strips are packaged and stored in a disposable vial having a lid that snaps off or unscrews to open. Desiccant material is normally packaged within the vial to maintain the test strips dry. To conduct a test, the user must open the vial and remove a test strip. The strip is then typically inserted into a meter and a fluid  
15 sample (normally whole blood) is deposited onto it. The meter then measures the concentration of analyte using photometric or electrochemical methods. When the test is finished, the strip is removed from the meter and discarded.

Test strips are used by diabetics to measure the level of glucose in their blood, which for most diabetics needs to be done three to four times per day,  
20 sometimes more frequently. Unfortunately, many diabetics develop complications from having the disease, such as impaired vision, loss of hand-eye coordination, and loss of sensitivity and dexterity of the fingers and toes. These complications of the disease can make opening a test strip vial, extracting a single test strip and manipulating the test strip quite difficult.

25 Equally undesirably, opening a conventional vial of test strips exposes the strips to moisture in the atmosphere and causes the reagents contained in them to degrade much more quickly than if the vial remained sealed. This exposure significantly reduces shelf life.

**SUMMARY OF THE INVENTION**

The present invention provides a substantially moisture-proof, airtight dispenser for both storing and dispensing several diagnostic test strips. The inventive dispenser need merely be grabbed by the user and squeezed, thereby  
5 ejecting a test strip. Independent movement of the user's fingers to push a button or turn a knob is unnecessary to dispense a strip, which makes the present invention well suited for diabetics suffering from nerve damage in their extremities and other complications resulting from the disease.

10 In one form thereof, the present invention provides a dispenser for flattened articles. The dispenser includes a housing pivotably connected to a trigger. The housing carries a stack of the articles and the trigger includes an actuation member that engages the uppermost article from the stack and pushes it at least partially out of the dispenser as the trigger and the housing are pivoted together. Either the  
15 housing or the trigger defines a receptacle and the other at least partially nests within the receptacle as the housing and the trigger are pivoted together.

In a preferred form, the articles are test strips and the trigger defines the receptacle, such that the housing nests within the trigger as the dispenser is squeezed and a strip is dispensed. The actuation member comprises a novel  
20 flexible arm member that flexes upon pivoting movement of the trigger relative to the housing. A pusher head coupled to the arm member is positioned over the stack of articles, and when the trigger and housing are pivoted together, the pusher head is forced downward to frictionally engage the top surface of the uppermost test strip and push it from the dispenser. A spring member biases the trigger and  
25 housing apart, so that when the user releases the dispenser after dispensing a strip, it returns to its original or "home" position.

In a further preferred form, the housing and trigger are pivotably connected at bottom portions thereof, such that the nesting occurs mostly at the top of the dispenser. In this configuration, the trigger includes an arcuate inner wall at the  
30 top of the dispenser and the housing has a corresponding arcuate outer wall. This allows the housing to nest within the trigger as the two parts are pivoted together.

While these two arcuate walls may define somewhat different radii, they at least approximate concentric segments when the trigger and the main housing are pivoted together.

In another preferred form, the inventive dispenser includes a “passive lock”  
5 which locks the housing and trigger in the home position and prevents accidental dispensing. The force required to overcome the passive lock is of course greater than the biasing force of the spring, but it is not so great that it prevents the user from squeezing the dispenser and ejecting a test strip.

In another form, the present invention provides a method for forming a  
10 substantially airtight seal for a dispenser. In this novel method, a housing is provided which has an opening through which flattened articles are dispensed. A flexible seal is formed, in preferred embodiments by injection molding, with two resilient members having a gap therebetween. After initially forming the seal, it is reconfigured such that the two resilient members are contacting one another and  
15 are biased together. The flexible seal is then installed in the opening of the housing.

One advantage of the inventive dispenser is that the diabetic need merely grab it and squeeze it to eject a test strip. The dispenser fits conveniently into the palm of the user and the user-actuable parts that dispense a strip are preferably as  
20 large as the dispenser itself. Thus, dispensing a strip with the present invention requires a squeezing action in which all of the fingers essentially work together, thereby avoiding the need for nimble fingers. This is especially advantageous to diabetics who have lost finger sensation and dexterity and thus have trouble manipulating the small dials, caps and sliders present in traditional dispensers.

An additional advantage of the present invention is that the diabetic can  
25 place the dispenser on a flat surface while squeezing the trigger to eject a test strip. That is, the configuration of the dispenser enables the user to leverage the dispenser against the flat surface while squeezing it, thus reducing the amount of force required to dispense a test strip.

30 Another advantage of the present invention is that it maintains the test strips in a substantially moisture-proof environment. Similarly, unlike traditional

vials, the present invention prevents the user from touching and thus contaminating the strips before they are used.

A further advantage of the present invention is that the test strips are dispensed one at a time and presented in the same manner each time a test strip is  
5 dispensed. Unlike traditional vials, the present invention avoids the need for the user to pick a strip out of the vial. This is especially advantageous to diabetics who have trouble manipulating the small test strips and vials provided in traditional dispensers. Thus, the overall testing time for users is reduced because the user can quickly remove a test strip after dispensing.

10 Yet another advantage of the present invention is that it uses mostly plastic parts such that it can be mass-produced cost-effectively. The dispenser can therefore be manufactured and sold as a disposable item.

Still another advantage of the present invention is that it provides a substantially airtight seal through which the strips are dispensed. The seal is  
15 improved by inverting it or turning it inside out after manufacturing.

Yet another advantage of the present invention is that the substantially airtight seal just noted is "self closing." That is, after a test strip is dispensed through the seal, the resilient members of the seal return to their original positions in which they are biased together. Advantageously, this avoids the problem of  
20 users forgetting to close the dispenser, as often happens with traditional vials.

Yet another advantage of certain embodiments of the present invention is that the dispenser can hold the test strip in a position in which the meter insertion end is extended from the dispenser while the user inserts the extended end of the strip into a meter. Thus, the user does not need to touch the test strip to insert it  
25 into a test meter, which avoids the user touching and thus contaminating the strips before they are used.

**BRIEF DESCRIPTION OF THE DRAWINGS**

The above-mentioned and other advantages of the present invention, and the manner of obtaining them, will become more apparent and the invention itself will be better understood by reference to the following description of the embodiments of the invention taken in conjunction with the accompanying drawings, wherein:

Figs. 1 and 2 are perspective views of an article dispenser in accordance with the present invention, illustrating the home and dispensed positions of the dispenser;

Figs. 1a and 2a are perspective views of an alternate embodiment of an article dispenser in accordance with the present invention, illustrating the home and dispensed positions of the dispenser;

Fig. 3 is a perspective view in partial cross section of the dispenser shown in Figs. 1 and 2, illustrating the interior components of the dispenser;

Fig. 4 is an exploded perspective view of the dispenser shown in Figs. 1 and 2;

Figs. 5a and 5b are an enlarged fragmentary perspective view and a sectional view, respectively, of a seal in accordance with an embodiment of the present invention;

Fig. 6 is an exploded perspective view of a dispenser body or cassette in accordance with an embodiment of the present invention;

Figs. 7a-7d are side sectional views that illustrate the movement of the dispenser of an embodiment of the present invention from the home position to the dispense position and then back;

Fig. 8a is an exploded perspective view with portions broken away of the dispenser of Figs. 1 and 2;

Fig. 8b is an enlarged fragmentary view of a locking mechanism in accordance with an embodiment of the present invention;

Fig. 8c is an enlarged fragmentary perspective view illustrating the connection of a flexible arm member to a trigger;

Figs. 9a and 9b are enlarged fragmentary perspective views illustrating a lip seal cover in accordance with an embodiment of the present invention;

5 Figs. 10a and 10b are enlarged fragmentary perspective views in partial cross section illustrating a platform and a lip seal in accordance with an embodiment of the present invention;

Figs. 11a and 11b are enlarged fragmentary perspective views in partial cross section illustrating a lip seal and a reconfigured lip seal, respectively, in accordance with an embodiment of the present invention;

10 Figs. 12a and 12b are enlarged fragmentary perspective views in partial cross section illustrating a lip seal and a reconfigured lip seal, respectively, in accordance with an embodiment of the present invention;

Fig. 13 is an enlarged fragmentary perspective view illustrating a cap in accordance with an embodiment of the present invention;

15 Fig. 14 is an enlarged fragmentary perspective view in partial cross section illustrating a cap and an exit in accordance with an embodiment of the present invention;

20 Figs. 15a-15c are enlarged fragmentary perspective views in partial cross section illustrating a flexible seal, a reconfigured flexible seal, and a reconfigured flexible seal with an article exiting the seal, respectively, in accordance with an embodiment of the present invention;

Fig. 16 is a side sectional view illustrating the movement of the dispenser of an embodiment of the present invention from the home position to an optional detent position; and

25 Figs. 17a-17c are perspective views illustrating a method of using the article dispenser in accordance with the present invention with a meter that reads the articles that are dispensed.

Corresponding reference characters indicate corresponding parts throughout the several views.

### **DESCRIPTION OF THE PREFERRED EMBODIMENTS**

For the purposes of promoting an understanding of the principles of the invention, reference will now be made to the specific embodiments illustrated herein and specific language will be used to describe the same. It will nevertheless  
5 be understood that no limitation of the scope of the invention is thereby intended. Any alterations and further modifications in the described processes or devices, and any further applications of the principles of the invention as described herein, are contemplated as would normally occur to one skilled in the art to which the  
10 invention relates.

Turning now to Figs. 1 and 2, an article dispenser 20 for dispensing flattened articles such as biosensors or test strips is shown having a main housing 22 pivotably connected to a trigger or rear housing 24. Fig. 1 illustrates a "home" position whereas Fig. 2 illustrates a "dispensed" position for dispenser 20.  
15 Dispenser 20 includes front grip section 26 and rear grip section 28, which, when pivoted together as shown in Fig. 2 and explained in detail below, causes an article 30 to be pushed at least partially out of exit 32. In the illustrated embodiment, article 30 is a test strip, e.g., an Accu-Chek® brand glucose test strip that is commercially available from the assignee of the present invention. However, it  
20 should be understood that the teachings of the dispenser disclosed herein may be employed for dispensers of other flattened articles. As shown in Fig. 3, main housing 22 carries a stack 34 of test strips 30 to be successively dispensed from dispenser 20, as explained below. Housing 22 includes a window 36 (Figs. 1 and 2) for viewing the quantity of articles 30 remaining in stack 34. Window 36 may  
25 be formed of any number of clear materials, e.g., clear polypropylene.

In the illustrated embodiment, housing 22 and trigger 24 are formed of polypropylene and polystyrene, respectively, but it should be readily appreciated that many other plastics, composites or other materials may be used. Grip section 26 includes protruding ribs 38 that are preferably formed of a thermoplastic  
30 elastomer such as Santoprene®, available from Advanced Elastomer Systems, Akron, OH. Exit 32 includes flaps 40 that define a lip seal 42. Flaps 40 are also

made from Santoprene® and are integrally formed with ribs 38 as illustrated in Fig. 3.

With further reference to Figs. 1 and 2, trigger 24 and housing 22 are pivotably connected at bottom portions 44 and 46, respectively, which results in housing 22 nesting within trigger 24 mainly at the top of dispenser 20. The bottom portions of the trigger and housing do not significantly nest together, which allows cassette 84 (Fig. 4) to be secured to the bottom of housing 22 without interference from trigger 24 when the two are pivoted together during dispensing. As shown in Fig. 4, housing 22 includes cylindrical posts 48 extending laterally therefrom that are rotatably received in corresponding cylindrical openings 50 in trigger 24. The inside surface of trigger 24 is formed with slots 52 that lead to openings 50, which aids assembly of dispenser 20 by allowing posts 48 to slide through slots 52. While the illustrated embodiment includes posts 48 formed on housing 22 and openings 50 on trigger 24, the situation could be reversed. Further, other means for making the pivotal connection between housing 22 and trigger 24, e.g., a hinge, could be substituted for the posts and openings.

As shown in Figs. 1 and 2, since the pivotal connection is made at bottom portions 44 and 46, most of the movement of trigger 24 and housing 22 relative to one another occurs toward the top of dispenser 20. Trigger 24 has a profile that substantially matches that of housing 22 but is slightly larger, such that the inner surface of trigger 24 defines a receptacle for housing 22. As shown more clearly in Fig. 3, trigger 24 defines an arcuate inner wall 54 that has an arcuate profile similar to that of outer wall 56 defined by housing 22. Thus, when trigger 24 and housing 22 are pivoted toward one another, housing 22 partially nests within trigger 24 while an article 30 is expelled partially from dispenser 20 as shown in Fig. 2. As shown in Fig. 7c, inner wall 54 and outer wall 56 approximate concentric segments when trigger 24 and housing 22 are pivoted together.

While in the preferred embodiment the trigger forms the receptacle, the inventive pivoting housing principle could be employed if the situation were reversed. As shown in Figs. 1a and 2a, trigger 24a partially nests within a receptacle defined by main housing 22a as the two parts are pivoted together, and a test strip 30 is expelled partially from container 20a. Other variations of the novel

housing of the present invention would be recognized by one of ordinary skill in the art. As noted above, one advantage of this novel pivoting housing is that the actuable parts of the housing that cause a strip to be dispensed can be made as large as the dispenser itself. Thus, dispensing a strip with dispenser 20 or 20a  
5 requires only an overall squeeze of the hand, and which does not require individual movement of the fingers. As noted above, this is especially advantageous to diabetics who have lost finger sensation and dexterity and thus have trouble manipulating the small dials, caps and sliders present in prior art dispensers.

As shown in Fig. 3, a torsion spring 62 has upstanding legs 64 and 66  
10 which push against the interior of trigger 24 and housing 22, respectively, biasing the dispenser in the home position shown in Fig. 1. Spring 62 is held in place by means of channels 68 formed by spring retaining plates 70 and 72 formed in trigger 24 and which channels 68 captively hold legs 64. One of ordinary skill in the art would readily recognize many alternative spring mechanisms that could be  
15 configured and substituted for the torsion spring 62 of the illustrated embodiment.

To prevent spring 62 from biasing trigger 24 and housing 22 beyond the home position and to prevent removal of trigger 24 by a user, trigger 24 includes a flange 58 that mates with an upstanding ridge 60. The inventive housing also includes a locking mechanism or "passive lock" that provides sufficient force to  
20 prevent the user from accidentally dispensing an article but not too much force to prevent intended dispensing. That is, the passive lock requires a greater force to overcome than that provided by spring 62. With reference to Figs. 8a and 8b, trigger 24 defines a home cavity or recess 72 that receives an ear or protrusion 74 formed on back plate 76 (Fig. 4). When the user squeezes the dispenser, ear 74  
25 must push past wall 78 (Fig. 8b) in order to move trigger 24 and housing 22 together. On the return stroke, ear 74 is guided by inclined recess 80 such that it smoothly traverses wall 78 and then snaps into place into cavity 72 from only the force of spring 62. It has been found that a depth of about 0.5 mm for cavity 72 provides a passive lock that provides sufficient force to prevent accidental  
30 dispensing.

With reference to Figs. 3, 4 and 6, a cassette 84 that carries stack 34 of test strips 30 is disposed within housing 22. The cassette is preferably made from a

three-phase polymer that has moisture-absorbing properties, such as Active-Pak®, available from Capital Specialty Plastics, Auburn, AL, 2AP®, available from Südchemie Performance Packaging Europe, Choisy le Roi, France, and Flotech® “S”, available from Grace Davison, Worms, Germany. As noted above, the  
5 reagent materials contained in many test strips degrade when exposed to moisture, and housing them in a desiccant material such as cassette 84 helps address this issue.

The major components of cassette 84 include back plate 76, which is illustrated in Fig. 4, and hollow body 86, top cap 88, pressure pad 90, pressure pad  
10 springs 92 and flexible arm member 94, which are illustrated in Fig. 6. Pressure pad 90 carries the stack of test strips 34 and is movable vertically with respect to hollow body 86. Specifically, pressure pad 90 includes protrusions 96 that are slidingly received in guide slots 98. Two additional protrusions (not shown) extend from the back of pressure pad 90 and are slidingly received into guide slots 100  
15 shown in Fig. 6. The protrusions and guide slots maintain the pressure pad aligned as it advances upward as test strips are dispensed. Once the protrusions reach the top end of the slots, further upward movement of pressure pad 90 is prevented, which would occur when the dispenser is empty. When test strips 30 are present in dispenser 20, upward movement of pressure pad 90 is limited by the uppermost  
20 strip abutting against shelves 104 formed in top cap 88. Similarly, the lowermost vertical position of pressure pad 90 occurs when the protrusions reach the bottom of the slots, which occurs when the cassette is filled to capacity with test strips. Cassette 84 preferably holds a range from five to one-hundred fifty of the test strips 34. In the illustrated embodiment, cassette 84 holds fifty test strips.

25 With further reference to Fig. 6, body 86 includes cylindrical spring retention posts 102 on which are received springs 92. Springs 92 extend into cylinders 106 formed in pressure pad 90, and their spring force biases the pressure pad upward as strips are dispensed. Top cap 88 is attached to hollow body 86 by means of anchor stanchions 112 that fit into slots 114. An opening 89 (Fig. 4) is  
30 formed between top cap 88 and hollow body 86 to allow a strip to exit the cassette. In the illustrated embodiment, the top cap is formed from polypropylene, although many other materials would be suitable. Spring fingers 116 provide pressure to

seat the cassette subassembly in housing 22 as can be seen with reference to Fig. 7a. A toe clip 118 extending from the bottom of body 86 guides the cassette in place during assembly and fits under front rail 120 (Fig. 3) to hold the front of the cassette body 86 in the housing 22. Retention boss 122 retains the lower back half  
5 of the cassette subassembly in the housing 22.

With further reference to Fig. 4, during assembly of dispenser 20, ribs 82 temporarily hold cassette 84 in place within housing 22. Back plate 76 is then welded to the main housing 22 and holds the cassette body 86 within housing 22, which means main housing 22 is essentially sealed from the ambient. The seal is  
10 only broken when aperture 124 in back plate 76 is unsealed while a test strip is being dispensed through lip seal 42. However, as shown in Figs. 5a and 5b, flexible arm member 94 includes a sealing member 126 that engages a sealing surface 128 when dispenser 20 is in the home position. Sealing member 126 has an “umbrella” type geometry that circumscribes the flexible arm member and that  
15 flexes to conform to the conical recess shape of sealing member 128, thereby forming a tight seal. Sealing member 126 is preferably formed from Santoprene®. When the trigger 24 is squeezed, arm member 94 is actuated and the seal is temporarily broken until dispenser 20 returns to the home position.

In an alternate embodiment (not shown), sealing member 126 is attached to  
20 sealing surface 128, such that it stays in place when dispenser 20 is in the home and the dispensed positions. In this embodiment, the sealing member 126 is configured such that flexible arm member 94 passes through the sealing member 126 when the trigger 24 is squeezed. Sealing member 126 circumscribes the flexible arm member 94 but allows arm member 94 to slide through sealing  
25 member 126.

As shown in Figs. 6-8, flexible arm member 94 is connected on one end to trigger housing 24 by means of clip fingers 130 that wrap around retention member 132. Ears 134 press against angled sides 135 of trigger housing 24 and prevent clips 130 from disengaging during operation of the dispenser. On its other end, the  
30 flexible arm member terminates in a pusher head 136 that is positioned above the test strips and is slidably disposed in groove 138. More particularly, pusher head 136 includes cams 140 and posts 142 extending into grooves 138. The cams, posts

and grooves comprise part of a guiding mechanism that moves the pusher head up and down as it reciprocates, as described in more detail below. The pusher head also includes resilient fingers or engagement members 144 that frictionally engage the top surface of the top test strip and slide it out of the dispenser, as discussed in  
5 more detail below.

Pusher head 136 is preferably integrally formed with the remainder of flexible arm member 94 and is hingedly connected thereto by a "working hinge" 146. The working hinge provides stronger resistance than a normal "living hinge" but will still flex, allowing the pusher head to pivot or rotate down onto and up and  
10 away from the test strips. In the illustrated embodiment, the flexible arm member 94 is formed from polypropylene, but one of ordinary skill in the art could substitute many other flexible materials.

When not in use, the inventive dispenser is positioned in the "home" position depicted in Figs. 1a and 7a. As the user begins to squeeze trigger 24 and  
15 housing 22 together, he or she must first overcome the "passive lock" described above. Thereafter, trigger 24 and housing 22 can be squeezed together against the force of spring 62, thereby defining a dispense stroke. Since flexible arm member 94 is coupled to trigger 24, the pivoting movement of the dispenser parts actuates the arm member and causes it to slide through aperture 124. The seal made by  
20 umbrella seal 126 is thus broken. Advantageously, however, arm member 94 has a profile that substantially matches that of aperture 124 such that arm member 94 engages the periphery of aperture 124 as it passes through it. A quasi-seal between arm member 94 and aperture 124 thus remains as arm member 94 slides through aperture 124. In other words, even though seal 126 moves away from aperture 124  
25 when the dispenser is activated, because there is a close fit between arm member 94 and aperture 124, the seal there between is not significantly compromised.

Turning now to Figs. 7a and 7b, this initial movement of the arm member causes pusher head 136 to pivot about cams 140 from a disengaged station spaced away from the stack of strips to an engaged station in which fingers 144  
30 frictionally engage the top test strip. In other words, cams 140 define a pivot axis and the sliding movement in the direction of arrow 150 of arm member 94 as shown in Fig. 7b is translated through working hinge 146 and produces a moment

about cams 140. This in turn causes pusher head 136 to pivot down as shown by arrow 152. At the same time, the pusher head slides to the right as shown and the top strip displaces flaps 40 of lip seal 42 as it exits the dispenser. Lip seal 42 maintains a quasi-seal even as strip 30 passes through it. Test strips 30 can be  
5 arranged in cassette 84 such that a dosing end or a meter insertion end of the test strip 30 exits first as the pusher head slides to the right.

As shown in Fig. 7b, groove 138 defines an inclined portion 148 at an end thereof. At the end of the dispense stroke, posts 142 are engaged by inclined portion 148, such that pusher head 136 pivots upward and away from the top test  
10 strip of the stack, as shown in Fig. 7c. This upward pivoting occurs despite there being a moment about cams 140 through the end of the dispense stroke.

Advantageously, since pusher head 136 is pivoted away from the top test strip, the top strip can be easily pulled from dispenser 20 against only a slight frictional force produced by lip seal 42. The flexible arm member flexes into a substantially  
15 straight configuration at the end of the dispense stroke as shown in Fig. 7c. The bending or straightening of arm member 94 is due to the fact that the end of arm member 94 that is coupled to trigger 24 moves upward relative to housing 22 as the housing and trigger are squeezed together.

As the user loosens his or her grip and allows spring 62 to return trigger  
20 24 and housing 22 to the home position, an opposite moment is created about cams 140 as shown in Fig. 7d. On the return stroke, the sliding movement in the direction of arrow 156 of arm member 94 as shown in Fig. 7d is translated through working hinge 146 and produces a moment about cams 140 which maintains the pusher head 136 in the disengaged position. Advantageously, even if the user  
25 loosens his or her grip before pulling the top strip completely from the dispenser, the pusher head will not engage this top strip on the return stroke. That is, the top strip will not retract on the return stroke simply because the user fails to pull it from the dispenser before releasing the trigger and housing.

It should be appreciated that after the strip is dispensed and the dispenser  
30 has returned to the home position, lip seal 42 has automatically returned to its sealed or closed position on its own volition, thereby making it unnecessary for the user to remember to close the dispenser.

Optionally, the dispenser 20 can be integrated with a test meter that reads the test strips. The meter can also receive data from the test strip 30 and/or dispenser 20 and interpret the data. Dispenser 20 can be configured with a radio frequency identification (RFID) tag that stores information about the strips such as lot number, expiration date, type of test strip, among other information. The meter can be configured with an RFID reader which sends a signal to the RFID tag when the dispenser is brought within close proximity of the meter. The meter can thus receive the data that is stored on the RFID tag. RFID technology is known in the art and need not be described in further detail herein.

In the illustrated embodiment in Figs. 9a-9b, housing 22 includes a lip seal cover 190 for covering the exit 32. Lip seal cover 190 has an inner surface 192 that defines a receptacle that receives protruding lip 194 of exit 32 by a friction fit engagement. As shown, the lip seal cover 190 is hingedly connected to housing 22. However, other means for making the connection between lip seal cover 190 and exit 32, e.g., a snap-on connection, could be substituted for the hinge connection. When the dispenser is in use, the lip seal cover 190 is pivoted away from the exit 32 by the user applying a finger or thumb to tab 196, which exposes the flaps 40 of lip seal 42, as shown in Fig. 9a. When the dispenser is not in use, the lip seal cover 190 is positioned over the exit 32 to cover the flaps 40 of lip seal 42 as shown in Fig. 9b. Lip seal cover 190 may be formed of any number of materials such as plastics, composites, metals and the like. Advantageously, lip seal cover 190 acts as a dust cover for exit 32 and protects exit 32 from contact damage by items such as keys, coins, cosmetic containers, and the like when the dispenser is carried in a pocket or container having such items.

In the embodiment illustrated in Figs. 10a-10b, housing 22 includes a platform 230 inserted between flaps 40 of lip seal 42 and integrally attached to the housing 22. The platform 230 is sized to fit within the lip seal 42 as shown in Fig. 10a. When the dispenser is not in use, the platform 230 inserted between the flaps 40 acts as a plug and forms an airtight seal with the flaps 40. As shown in Fig. 10b, when dispensing the first test strip 30 from the dispenser, the test strip 30 displaces or biases the top flap outwardly as it exits the dispenser. Thereafter, top flap 40 will remain in an outward position, but remains nonetheless biased against

platform 230. The platform 230 provides a surface that the test strip 30 can ride on or slide over as the test strip 30 passes through the lip seal 42. It should be appreciated that the dispenser could be configured to dispense test strips between the bottom flap and the platform or the top flap and the platform. Platform 230  
5 may be formed of any number of materials such as plastics, composites, metals or other materials.

As shown in Figs. 11a-11b, housing 22 includes an exit 330 that can be reconfigured to form an airtight seal. To achieve manufacturing efficiency, it is desirable to form seal 346 in a single step, e.g., by injection molding. It is further  
10 desirable to form ribs 38 (Fig. 2) integrally with seal 346. One of the drawbacks of injection molding is that discontinuities such as lip seal 42 require a part in the mold that separates flaps 342 and 344 that are to be formed with the mold. If the seal 346 is to be integrally formed, it will thus include a small gap such as gap 348 illustrated in Fig. 11a between the two flaps.

As formed, seal 346 depicted in Fig. 11a is unsuitable because it is not airtight. Recognizing that a gap will be present in the originally molded part, the seal 346 shown in Fig. 11a is designed so that it can be "inverted" or "reconfigured" after initially being molded to form an airtight seal in which the two flaps not only contact one another, but are biased together. Specifically, bottom flap 344 is  
20 angled to the left or inwardly of the dispenser and includes a nub 350 that points to the left or inside of the dispenser. Flap 342 is preferably angled opposite to flap 344 and also includes a nub 352 that points outwardly or to the right as shown in Fig. 11a. However, after molding, the flexible seal 346 can be reconfigured by inverting the position of the flaps such that flap 342 and flap 344 are biased against  
25 each other to form an airtight seal as shown in Fig. 11b. For example, in Fig. 11a, a force can be applied to the top flap 342 to push the top flap 342 to the left and over the bottom flap 344 and/or a force can be applied to the bottom flap 344 to push the bottom flap 344 to the right and under the top flap 342. Alternatively, the airtight seal shown in Fig. 11b can be formed by ejecting the first test strip from  
30 dispenser 20, during which the test strip will push flap 344 to the right, past flap 342. When the test strip is fully removed from the dispenser, the configuration shown in Fig. 11b will be achieved.

Since flap 342 as molded tends to point to the right and flap 346 as molded tends to point to the left, inverting the seal to the configuration shown in Fig. 11b creates an advantageously airtight seal in which the flaps are pressed against one another. As shown reconfigured in Fig. 11b, the top flap 342 is displaced to the  
5 left of bottom flap 344. Further, the top flap 342 and the bottom flap 344 are biased together as shown by the arrows in Fig. 11b. When dispensing a test strip, the test strip displaces or biases apart the bottom flap 344 from the top flap 342 as it passes between the flaps and exits the dispenser. As described with reference to other embodiments, seal 346 can be formed from Santoprene® or another elastic  
10 material that allows top flap 342 and bottom flap 344 to flex or bend. Additionally, the flexible seal 346 can be covered with a cap (see Fig. 9a).

In the embodiment illustrated in Figs. 12a-12b, housing 22 includes an exit 430 that can be reconfigured to form an airtight seal. As shown in Fig. 12a, exit 430 as molded includes top flap 442 and bottom flap 444 that form a flexible seal  
15 446. The bottom flap 444 is positioned initially to the left of top flap 442. In this configuration, top flap 442 and bottom flap 444 are substantially in the same position as when the flexible seal 446 was formed or molded. The flexible seal 446 can be reconfigured by inverting the positions of the flaps such that flap 442 and flap 444 are biased against each other. For example, a force can be applied to  
20 the bottom flap 444 shown in Fig. 12a to push or pull it to the right and under the top flap 442.

As shown reconfigured in Fig. 12b, the top flap 442 is displaced to the left of bottom flap 444. Further, the top flap 442 and the bottom flap 444 are biased together as shown by the arrows in Fig. 12b. When dispensing a test strip, the test  
25 strip displaces or biases apart the bottom flap 444 from the top flap 442 as it passes between the flaps to exit the dispenser. Top flap 442 and bottom flap 444 can be formed from Santoprene® or another elastic material that allows top flap 442 and bottom flap 444 to flex or bend. Further, top flap 442 and/or bottom flap 444 can be integrally formed with ribs 38 (see Figs. 1 and 2). Additionally, the flexible  
30 seal 446 can be covered with a cap (see Fig. 9a).

In the embodiment illustrated in Figs. 13-14, housing 22 includes a cap 530 for covering exit 532. Cap 530 has an outer periphery that substantially matches

that of exit 532 but is slightly smaller, such that cap 530 fits snugly within the periphery defined by exit 532. Cap 530 includes an opening 536 from which test strips 30 are dispensed. Cap 530 may be formed of any number of materials such as plastics, composites, metals or other materials. Cap 530, like lip seal cover 190,  
5 also acts as a dust cover for exit 532 and protects exit 532 from contact damage by foreign objects.

Exit 532 includes flaps 540 that form a flexible seal 542 as shown in Fig. 14. Further, biasing members 534 are wedged between the housing 22 and the flaps 540 to reconfigure the flexible seal 542 as shown in Fig. 14 such that the  
10 biasing members 534 bias the flaps 540 together to form an airtight seal. That is, as cap 530 is installed into dispenser 20, wedge-shaped biasing members 534 are inserted between the housing 22 and seal 542 such that biasing members 534 squeeze the flaps 540 together. As shown, biasing members 534 are integrally formed with cap 530. When dispensing a test strip, the test strip displaces or biases  
15 apart the flaps 540 as it passes between the flaps 540 to exit the dispenser through opening 536. Flaps 540 can be formed of Santoprene® or another elastic material that allows the flaps 540 to flex or bend. Also, it should be appreciated that the embodiment shown in Figs. 9a-9b can also be configured to include biasing members that squeeze the flaps together.

As shown in Figs. 15a-15c, housing 22 includes an exit 630 that can be reconfigured to form a substantially or completely airtight "duckbill" seal. Exit 630 is shaped as a duckbill with walls 640 that form an elongated channel 644, as illustrated in Fig. 15a. The walls 640 point to the left in Fig. 15a. In this configuration, walls 640 are substantially in the same position as when the flexible  
25 seal 642 was formed or molded. As described elsewhere, since the seal 642 is preferably integrally formed by injection molding, the walls 640 define a gap 646 therebetween when the part leaves the mold from which it is made. However, the gap 646 can be eliminated by inverting or turning the duckbill seal 642 inside out, as can be appreciated by comparing Figs. 15a and 15b. The curved or profiled  
30 outer sides 648 of walls 640 shown in Fig. 15a become the inner walls of the seal shown in Fig. 15b, in which the walls 640 are biased together and form an air-tight seal, as indicated by the arrows in Fig. 15b. The profiled shape of walls 640 shown

in Fig. 15a enhances the bias between walls 640 when the seal 642 is turned inside out to form the structure shown in Fig. 15b.

When dispensing test strip 30 as shown in Fig. 15c, the test strip 30 displaces or pushes apart the top wall from the bottom wall as it passes between the walls 640 to exit the dispenser. Walls 640 can be formed from Santoprene® or another elastic material that allows the walls 640 to flex or bend. Further, walls 640 can be integrally formed with ribs 38 (see Figs. 1 and 2). In addition, the flexible seal 642 can be covered with a cap (see Fig. 9a).

In certain embodiments, the dispenser can be configured to facilitate inserting a strip into a meter without the need for the user to have to touch a strip. For example, in Fig. 16, the stack of test strips is loaded into the dispenser such that the "meter insertion end" of the test strips exits the dispenser first upon dispensing. (This is opposite to that shown in Fig. 2.) Further, the dispenser is configured with an additional "detent" position between the home and dispense positions described above, which is used to hold the test strip in place after the end of it has extended from the dispenser.

With further reference to Fig. 16, groove 138 defines a notch or detent 147 such that posts 142 engage the detent 147 as the pusher head 136 slides to the right as the user squeezes the trigger and housing together. The detent 147 is positioned such that the posts 142 are guided into it as the dispenser is actuated. This happens after test strip 30 has passed partially through lip seal 42 and has a portion thereof extending from the dispenser as shown. The user experiences a tactile sensation when the forward movement of pusher head 136 stops as the posts 142 engage the detent 147. In this detent position, the fingers 144 remain frictionally engaged with the top test strip. The fingers 144 captively hold the test strip 30 such that the meter insertion end of the test strip 30 extends from the exit 32 of the dispenser.

In this intermediate or detent position, the user can "dock" dispenser 20 to a test meter to receive the test strip 30. As shown in Figs. 17a-17c, test meter 700 has an opening 702 to receive the meter insertion end 33 of test strip 30. In Fig. 17a, the user has squeezed trigger 24 and housing 22 together in the direction of arrows 704 to overcome the "passive lock" described above and has continued to squeeze trigger 24 and housing 22 together to the detent position. The detent

position is signaled to the user through a tactile sensation produced by posts 142 engaging detent 147, at which point the forward movement of pusher head 136 stops. In this embodiment, the meter insertion end 33 of the test strip 30 extends from exit 32 of dispenser 20 and fingers 144 remain frictionally engaged with the  
5 test strip.

The user then aligns the end 33 of the test strip 30 with the opening 702 and moves the dispenser in the direction of arrow 706 in Fig. 17b so that the meter insertion end of the test strip is inserted into opening 702 of test meter 700. Preferably, the test meter 700 engages and captively holds the end of the test strip  
10 after it is inserted to the required depth.

At this point, the meter and dispenser are in close proximity. If the dispenser is configured with the optional RFID tag noted above, and meter 700 includes an RFID reader, the meter will download data from the RFID tag. Such data may include calibration data, expiration date and the like for the strips housed  
15 in dispenser 20. In many traditional test strip vials, this information is included in a memory chip that is packaged with the vial. The memory chip must be inserted into the meter by the user before using the strips in a given vial. The RFID tag disclosed herein can avoid the need for these memory chips and the need for the user to have to insert them into the meter.

After the dispenser and meter are “docked” as shown in Fig. 17b, the user then “releases” the test strip from the dispenser. With reference to Fig. 17c, this is done by fully squeezing the trigger 24 and the housing 22 together in the direction of arrows 708 to arrive at the “dispensed” position described above with respect to other embodiments. In the dispensed position, the fingers lift from the strip, thus  
20 releasing it. The dispenser can then be pulled away from the meter as shown by arrow 710 while leaving test strip 30 inserted in opening 702 of test meter 700, as shown in Fig. 17c. A dosing end 35 is thus protruding from the meter and is ready to receive a fluid sample.

30 While a preferred embodiment incorporating the principles of the present invention has been disclosed hereinabove, the present invention is not limited to the disclosed embodiments. Instead, as noted above, this application is intended to

cover any variations, uses, or adaptations of the invention using its general principles. Further, this application is intended to cover such departures from the present disclosure as come within known or customary practice in the art to which this invention pertains and which fall within the limits of the appended claims.

**WHAT IS CLAIMED IS:**

1. A dispenser for flattened articles, comprising:  
a housing pivotably connected to a trigger, the housing carrying a stack of  
the articles and the trigger comprising an actuation member that engages the  
5 uppermost article from the stack and pushes it at least partially out of the dispenser  
when the trigger and the housing are pivoted together; and  
one of the housing and the trigger defining a receptacle and the other of the  
housing and the trigger at least partially nesting within the receptacle as the  
housing and the trigger are pivoted together.  
10
2. The dispenser of claim 1, wherein the trigger defines the receptacle.
3. The dispenser of claim 1, wherein the actuation member comprises  
a flexible arm that flexes upon pivoting movement of the trigger relative to the  
15 housing.
4. The dispenser of claim 3, wherein the actuation member comprises  
an engagement member positioned over the stack of articles, wherein the pivoting  
together of the trigger and the housing forces the engagement member downward  
20 to frictionally engage the top surface of the uppermost article.
5. The dispenser of claim 1, wherein the housing and trigger are  
pivotably connected at bottom portions of the trigger and main housing, wherein  
the nesting occurs mostly at a top portion of the dispenser.  
25
6. The dispenser of claim 5, wherein the trigger includes the  
receptacle, the receptacle having an arcuate inner wall and the housing having an  
arcuate outer wall, wherein the inner and outer walls approximate concentric  
segments when the trigger and the main housing are pivoted together.

7. The dispenser of claim 5, wherein one of the lower portions includes a cylindrical recess and the other lower portion includes a cylindrical post that is rotatably received in the cylindrical recess.

5 8. The dispenser of claim 1, wherein the flattened articles comprise test strips.

9. The dispenser of claim 8, further comprising a cassette disposed within the housing, the cassette containing the test strips.

10

10. The dispenser of claim 1, further comprising a spring biasing the trigger away from the housing.

11. The dispenser of claim 10, wherein the housing and the trigger pivot  
15 between a home position in which the housing and trigger are biased apart by a biasing force of the spring and a dispensed position in which the trigger and the housing are pivoted together against the biasing force of the spring.

12. The dispenser of claim 11, further comprising a locking mechanism  
20 which locks the housing and trigger in the home position, wherein releasing the locking mechanism requires a greater force than the biasing force of the spring, whereby accidental dispensing of the articles can be prevented.

13. The dispenser of claim 12, wherein the locking mechanism  
25 comprises a protrusion extending from one of the housing and the trigger that is removably received in a recess in the other of the housing and the trigger.

14. The dispenser of claim 1, further comprising an exit from which the articles are dispensed.

30

15. The dispenser of claim 14, wherein the exit comprises a lip seal.

16. The dispenser of claim 15, further comprising a grip portion disposed on the housing, the grip portion integrally formed with the lip seal.

17. The dispenser of claim 1, wherein the housing further comprises a window for viewing the quantity of articles remaining in the stack.

18. The dispenser of claim 15, further comprising a lip seal cover covering the lip seal.

19. The dispenser of claim 18, wherein the lip seal cover comprises an opening through which the articles pass upon being dispensed.

20. The dispenser of claim 15, wherein the lip seal comprises two resilient members biased together.

21. The dispenser of claim 20, wherein the two resilient members are pushed apart as the articles pass between the two resilient members upon being dispensed.

22. The dispenser of claim 18, wherein the lip seal cover removably covers the lip seal.

23. The dispenser of claim 22, wherein the lip seal cover is hingedly attached to the housing.

24. A dispenser for flattened articles, comprising:  
a hollow body containing a stack of the articles and defining an opening through which the articles are dispensed;  
a pusher head slidably disposed in the body between a home position and a dispensed position, the pusher head having an engagement member for engaging the top article of the stack; and

a flexible arm member attached to the pusher head, the flexible arm member being actuatable to move the pusher head into engagement with the top article in the stack and move the top article at least partially through the opening, wherein the flexible arm member flexes when actuated.

5

25. The dispenser of claim 24, wherein the flexible arm member is hingedly attached to the pusher head.

26. The dispenser of claim 24, wherein the flexible arm member is integrally formed with the pusher head.

10

27. The dispenser of claim 26, wherein the flexible arm member is hingedly attached to the pusher head.

28. The dispenser of claim 24, wherein the hollow body comprises a wall having an aperture through which the flexible arm member slides.

15

29. The dispenser of claim 28, wherein the flexible arm member includes a sealing member and the aperture includes a sealing surface, the sealing member engaging the sealing surface when the pusher head is positioned in the home position.

20

30. The dispenser of claim 29, wherein the sealing member comprises a flexible flange that circumscribes the flexible arm member, the flexible flange engaging a peripheral portion of the aperture when the pusher head is positioned in the home position.

25

31. The dispenser of claim 30, wherein the peripheral portion is flared or conically shaped.

30

32. The dispenser of claim 24, further comprising a housing in which the hollow body is positioned and a trigger pivotably connected to the housing, the

flexible arm member being connected to the trigger, wherein pivoting movement of the trigger toward the housing causes the flexible arm member to move the pusher head into engagement with the top article in the stack and move the top article at least partially through the opening.

5

33. The dispenser of claim 32, wherein pivoting movement of the trigger away from the housing causes the flexible arm member to bias the pusher head away from the stack of articles.

10

34. The dispenser of claim 32, wherein the flexible arm member straightens as the housing and the body are pivoted toward one another.

15

35. The dispenser of claim 32, wherein the trigger defines a receptacle in which the housing at least partially nests as the housing and the trigger are pivoted together.

36. The dispenser of claim 32, wherein the body includes a resilient member that seats the body in the housing.

20

37. The dispenser of claim 32, wherein the housing further comprises an exit from which the articles are dispensed.

38. The dispenser of claim 37, wherein the exit comprises two resilient members biased together to form a lip seal.

25

39. The dispenser of claim 38, wherein the two resilient members are pushed apart as the articles pass between the two resilient members upon being dispensed.

30

40. The dispenser of claim 38, wherein the housing further comprises a lip seal cover covering the lip seal.

41. The dispenser of claim 40, wherein the lip seal cover comprises an opening through which the articles pass upon being dispensed.

42. The dispenser of claim 40, wherein the lip seal cover removably  
5 covers the lip seal.

43. The dispenser of claim 40, wherein the lip seal cover is hingedly attached to the housing.

10 44. The dispenser of claim 40, wherein the lip seal cover includes a biasing member contacting the lip seal and biasing the two resilient members together.

15 45. The dispenser of claim 44, wherein the biasing member comprises a leg wedged between the housing and the lip seal.

46. The dispenser of claim 45, wherein the leg comprises a pair of legs.

20 47. The dispenser of claim 46, wherein each of the legs is wedged between one of the resilient members and the housing.

48. The dispenser of claim 24, wherein the flattened articles comprise test strips.

25 49. A test strip dispenser, comprising:  
a hollow body containing a stack of test strips and defining an opening through which the test strips are dispensed;  
a pusher head positioned above the stack of test strips and slidably disposed in the body between a home position and a dispensed position, movement of the  
30 pusher head from the home position to the dispensed position defining a dispense stroke in which the pusher head pushes the top test strip from the stack at least

partially through the opening, movement of the pusher head from the dispensed position to the home position defining a return stroke; and

5 a guide assembly that biases the pusher head against the top test strip of the stack during at least a portion of the dispense stroke, the guide assembly moving the pusher head away from the top test strip as the dispense stroke ends.

10 50. The dispenser of claim 49, wherein the guide assembly comprises a groove defined by the body and at least one of a cam and a post extending from the pusher head and slidably received in the groove.

51. The dispenser of claim 50, wherein the pusher head includes the cam and the cam defines a pivot axis about which the pusher head pivots when moving toward and away from the stack of test strips.

15 52. The dispenser of claim 51, further comprising an actuatable arm member hingedly attached to the pusher head, wherein actuating the arm member reciprocates the pusher head between the home and the dispensed positions and pivots the pusher head toward and away from the stack of test strips.

20 53. The dispenser of claim 50, wherein the groove comprises a detent.

54. The dispenser of claim 53, wherein at least one of the cam and post are slidably received in the detent.

25 55. The dispenser of claim 54, wherein the pusher head is biased against the top test strip when the at least one of the cam and post are slidably received in the detent.

30 56. The dispenser of claim 50, wherein the pusher head includes the post and the groove further comprises an inclined portion that engages the post as the dispense stroke ends and thereby moves the pusher head away from the top test strip, whereby the top test strip can be easily pulled from the dispenser.

57. The dispenser of claim 56, wherein the pusher head includes the cam and the pusher head pivots about the cam as the inclined portion engages the post.

5 58. The dispenser of claim 49, wherein the pusher head is spaced away from the stack of test strips when returning from the dispensed position to the home position.

10 59. The dispenser of claim 49, wherein the pusher head comprises a resilient finger extending downwardly therefrom, the finger engaging the top test strip during the dispense stroke.

15 60. The dispenser of claim 59, wherein the finger comprises a pair of fingers.

61. The dispenser of claim 49, wherein the hollow body is formed from a moisture absorbing material.

20 62. A dispenser for flattened articles, comprising:  
a housing containing a stack of the articles and defining an opening through which the articles are dispensed;  
a flexible seal disposed in the opening, the flexible seal comprising two resilient members for sealing the opening, the article passing between the two resilient members upon being dispensed; and  
25 a biasing member contacting the flexible seal and biasing the two resilient members together.

30 63. The dispenser of claim 62, further comprising a cap covering the flexible seal.

64. The dispenser of claim 63, wherein the cap comprises an opening through which the articles pass upon being dispensed.

65. The dispenser of claim 63, wherein the cap is removably attached to the housing.

66. The dispenser of claim 63, wherein the cap is integrally formed with the biasing member.

67. The dispenser of claim 63, wherein the cap is integrally formed with the housing.

68. The dispenser of claim 62, wherein the biasing member comprises a leg wedged between the housing and the flexible seal.

69. The dispenser of claim 68, wherein the leg comprises a pair of legs.

70. The dispenser of claim 69, wherein each of the legs is wedged between one of the resilient members and the housing.

71. The dispenser of claim 62, wherein the two resilient members are pushed apart as the articles pass between the two resilient members upon being dispensed.

72. The dispenser of claim 62, wherein the flexible seal comprises a lip seal.

73. The dispenser of claim 62, wherein ends of the resilient members overlap.

74. The dispenser of claim 62, wherein the flattened articles comprise test strips.

30

75. A dispenser for flattened articles, comprising:

a housing containing a stack of the articles and defining an opening through which the articles are dispensed;

a flexible seal disposed in the opening, the flexible seal comprising two resilient members for sealing the opening, the article passing between the two  
5 resilient members upon being dispensed; and  
a cap covering the flexible seal.

76. The dispenser of claim 75, wherein the flexible seal comprises a lip seal.

10

77. The dispenser of claim 75, wherein the flexible seal comprises a channel having two resilient members biased together.

15

78. The dispenser of claim 77, wherein the resilient members comprise substantially flat walls.

79. The dispenser of claim 78, wherein the flexible seal is formed by turning it inside out after manufacturing.

20

80. The dispenser of claim 75, wherein the cap comprises an opening through which the articles pass upon being dispensed.

81. The dispenser of claim 75, wherein the cap is removably attached to the housing.

25

82. The dispenser of claim 75, wherein the cap is hingedly attached to the housing.

83. The dispenser of claim 75, wherein the cap is integrally formed with  
30 the housing.

84. The dispenser of claim 75, wherein the cap contacts the flexible seal and biases the two resilient members together.

5 85. The dispenser of claim 84, wherein the cap comprises a biasing member wedged between the housing and the flexible seal to bias the two resilient members together.

10 86. The dispenser of claim 85, wherein the biasing member comprises a pair of legs wedged between the housing and the flexible seal.

87. The dispenser of claim 86, wherein the legs comprise a wedge shape.

15 88. The dispenser of claim 85, wherein the two resilient members are pushed apart as the articles pass between the two resilient members upon being dispensed.

20 89. The dispenser of claim 75, wherein the flattened articles comprise test strips.

25 90. A dispenser for flattened articles, comprising:  
a housing containing a stack of the articles and defining an opening through which the articles are dispensed; and  
a flexible seal disposed in the opening, the flexible seal comprising a channel having two resilient walls biased together for sealing the opening, the article passing between the two resilient walls upon being dispensed.

91. The dispenser of claim 90, wherein the flexible seal is formed by turning it inside out after manufacturing.

92. The dispenser of claim 90, further comprising a cap covering the flexible seal.

5 93. The dispenser of claim 92, wherein the cap comprises an opening through which the articles pass upon being dispensed.

94. The dispenser of claim 92, wherein the cap is removably attached to the housing.

10

95. The dispenser of claim 92, wherein the cap is hingedly attached to the housing.

15 96. The dispenser of claim 92, wherein the cap is integrally formed with the housing.

97. The dispenser of claim 90, wherein the flattened articles comprise test strips.

20 98. A method for forming a seal in a dispenser of the type comprising a housing containing a stack of flattened articles and defining an opening through which the articles are dispensed, the method comprising:

(a) forming a flexible seal having two resilient members forming a gap therebetween;

25 (b) reconfiguring the flexible seal such that the two resilient members are contacting one another and are biased together; and

(c) installing the flexible seal in the opening.

30 99. The method of claim 98, wherein the forming of the flexible seal comprises molding.

100. The method of claim 99, wherein the molding of the flexible seal comprises injection molding.

5 101. The method of claim 98, wherein the reconfiguring of the flexible seal comprises inverting the two resilient members.

102. The method of claim 98, wherein the reconfiguring of the flexible seal comprises turning the flexible seal inside out.

10 103. The method of claim 102, wherein the reconfiguring of the flexible seal comprises inserting a biasing member between the housing and the flexible seal.

15 104. The method of claim 103, wherein the inserting the biasing member comprises wedging a leg between the housing and the flexible seal.

20 105. The method of claim 98, wherein the flexible seal further comprises a channel and the resilient members comprise resilient walls that define the channel.

106. The method of claim 98, wherein the resilient members comprise flaps.

25 107. The method of claim 98, further comprising performing step (a), step (b), and then step (c).

108. The method of claim 98, further comprising covering the flexible seal with a cap.

30 109. The method of claim 98, wherein the flattened articles comprise test strips.

110. The method of claim 98, wherein the two resilient members return to contacting one another and are again biased together after the articles pass between the resilient members, whereby the dispenser is self closing.

5 111. A method for loading a test strip from a dispenser to a meter, the dispenser being of the type comprising a housing containing a stack of the test strips and defining an exit through which the test strips are dispensed, the meter comprising an opening for receiving an end of the test strip, the method comprising:

- 10 (a) actuating the dispenser such that a meter insertion end of the test strip extends from the dispenser and the dispenser captively holds the test strip;
- (b) inserting the meter insertion end of the test strip into the opening of the meter;
- (c) captively holding the meter insertion end of the test strip with the meter; and
- 15 (d) releasing the captive hold on the test strip from the dispenser.

112. The method of claim 111, wherein step (b) further comprises aligning the meter insertion end of the test strip with the opening of the meter.

20

113. The method of claim 111, further comprising pulling the dispenser away from the meter after step (d), whereby the test strip remains in the meter.

114. The method of claim 111, wherein:

25 the dispenser further comprises a trigger pivotably connected to the housing; and

the actuating the dispenser further comprises moving the trigger and the housing together.

30 115. The method of claim 114, wherein the moving the trigger and the housing together further comprises moving the housing from a home position to a detent position at which an engagement member captively holds the test strip.

116. The method of claim 115, wherein the releasing the flattened article further comprises moving the trigger from the detent position to a fully dispensed position at which the test strip is released from the engagement member.

5 117. The method of claim 114, wherein the moving the trigger and the housing together further comprises a first movement from a home position to a detent position.

10 118. The method of claim 117, wherein the moving the trigger and the housing together further comprises a second movement, from the detent position to a dispensed position.

119. The method of claim 118, wherein the first movement and the second movement both comprise moving the trigger and the housing together.

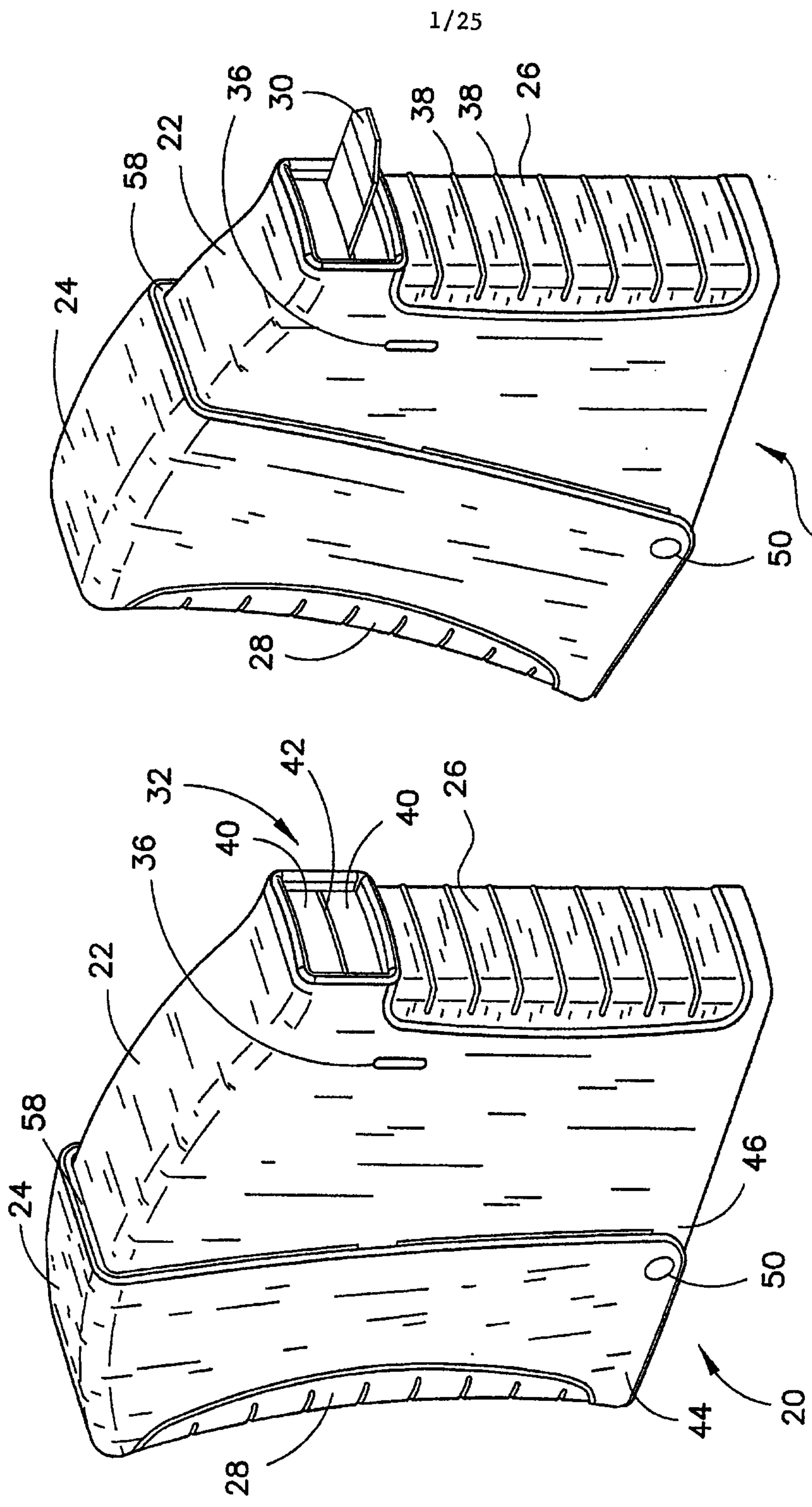


FIG. 2

FIG. 1

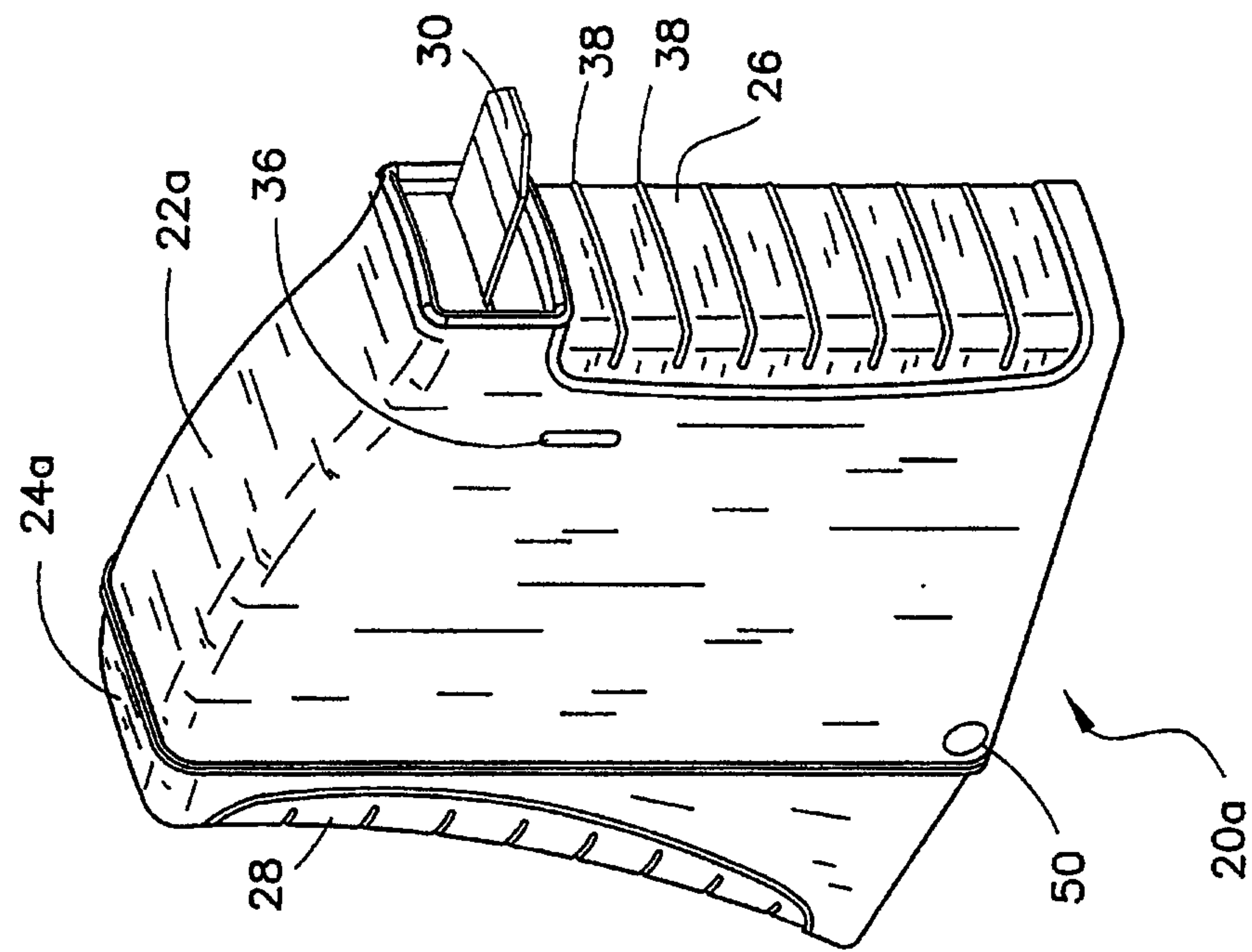


FIG. 2a

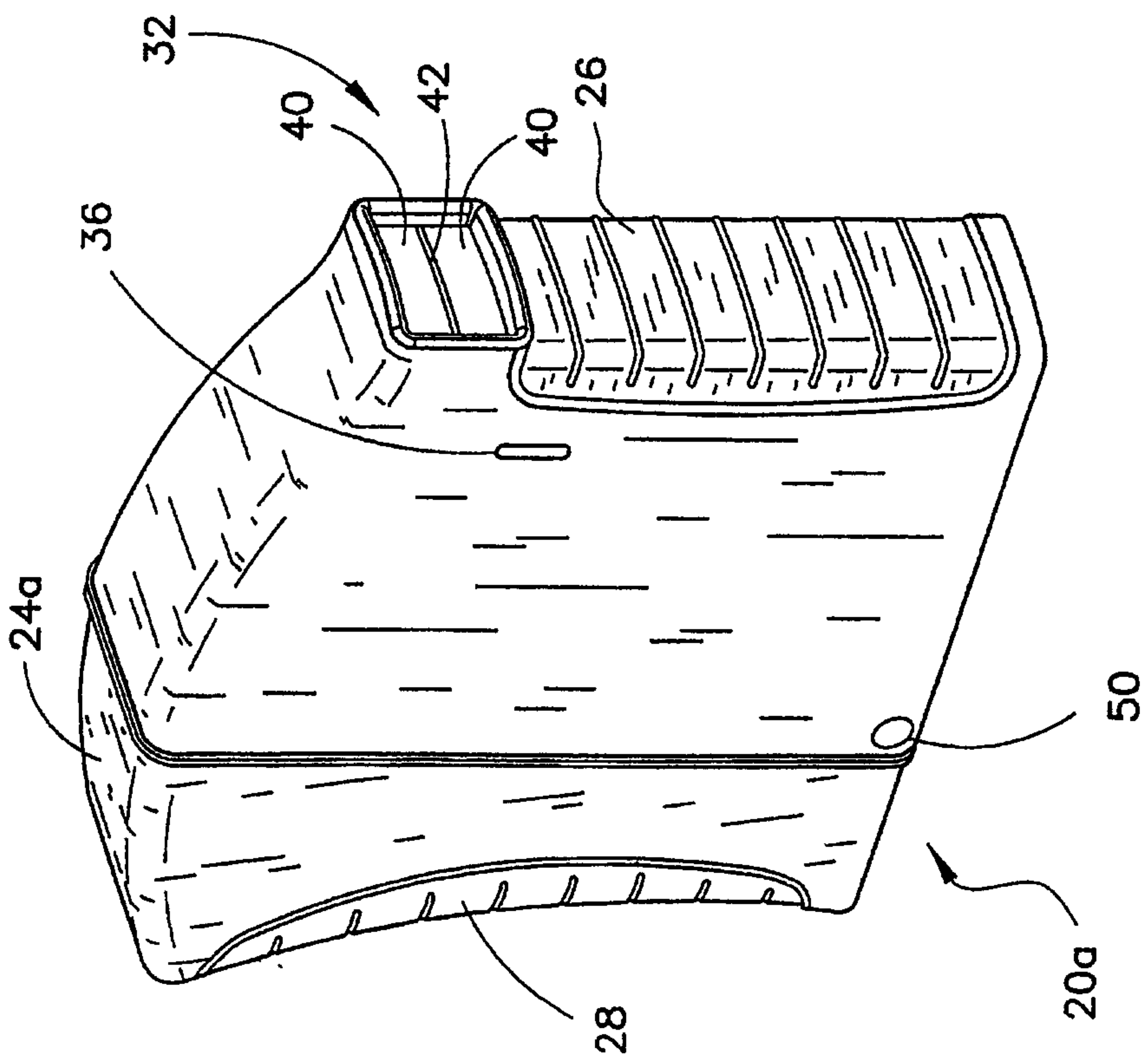


FIG. 1a

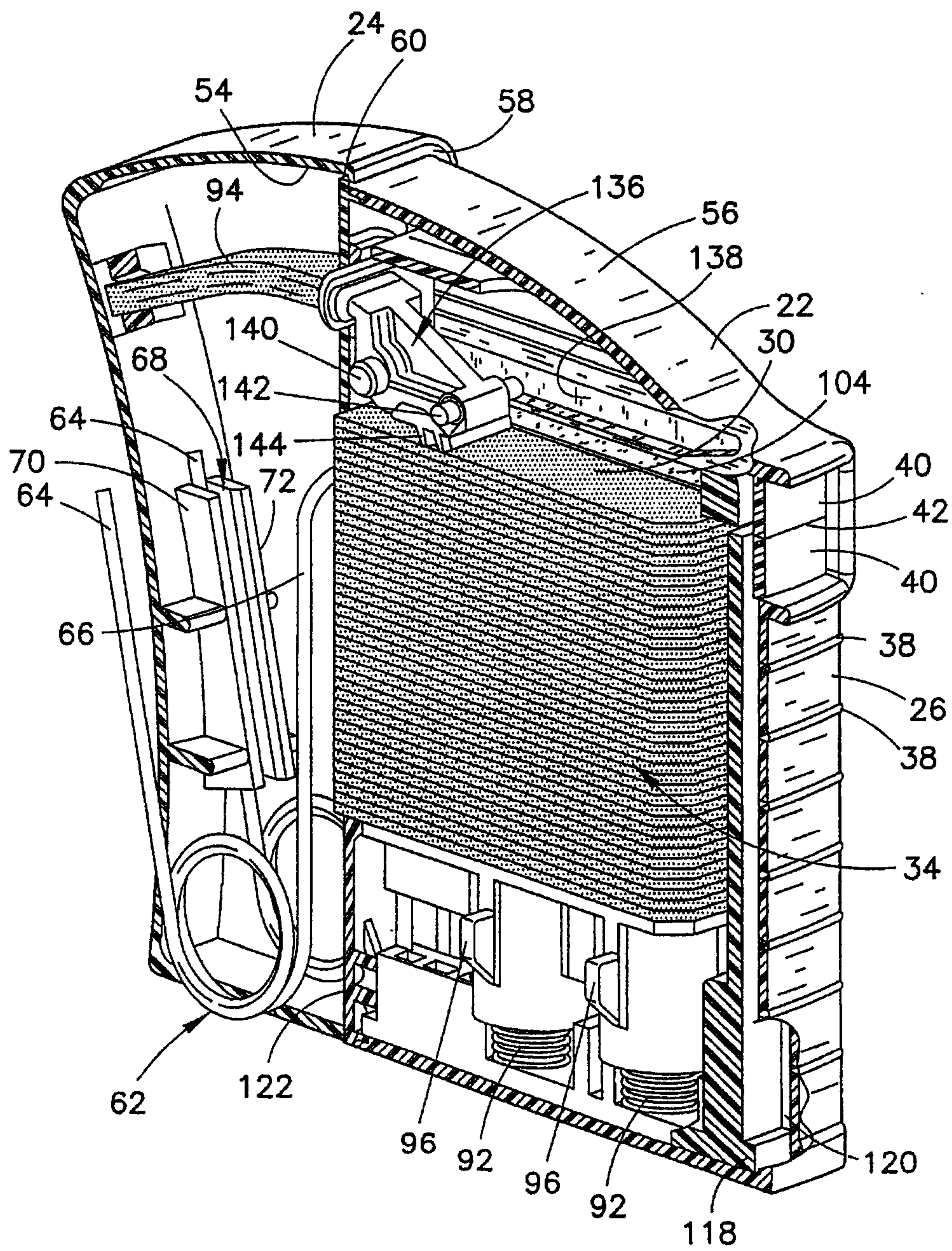


FIG. 3

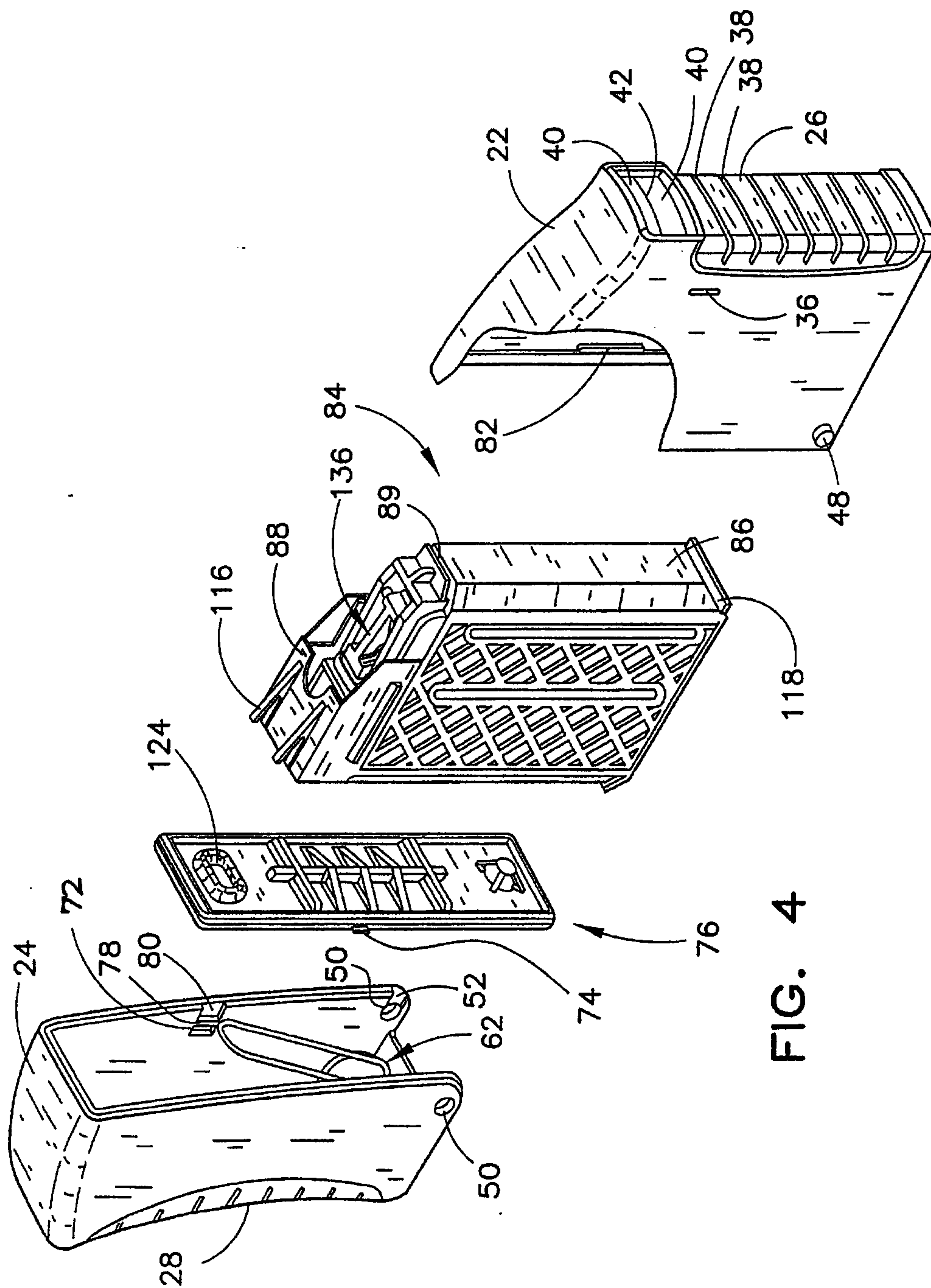


FIG. 4

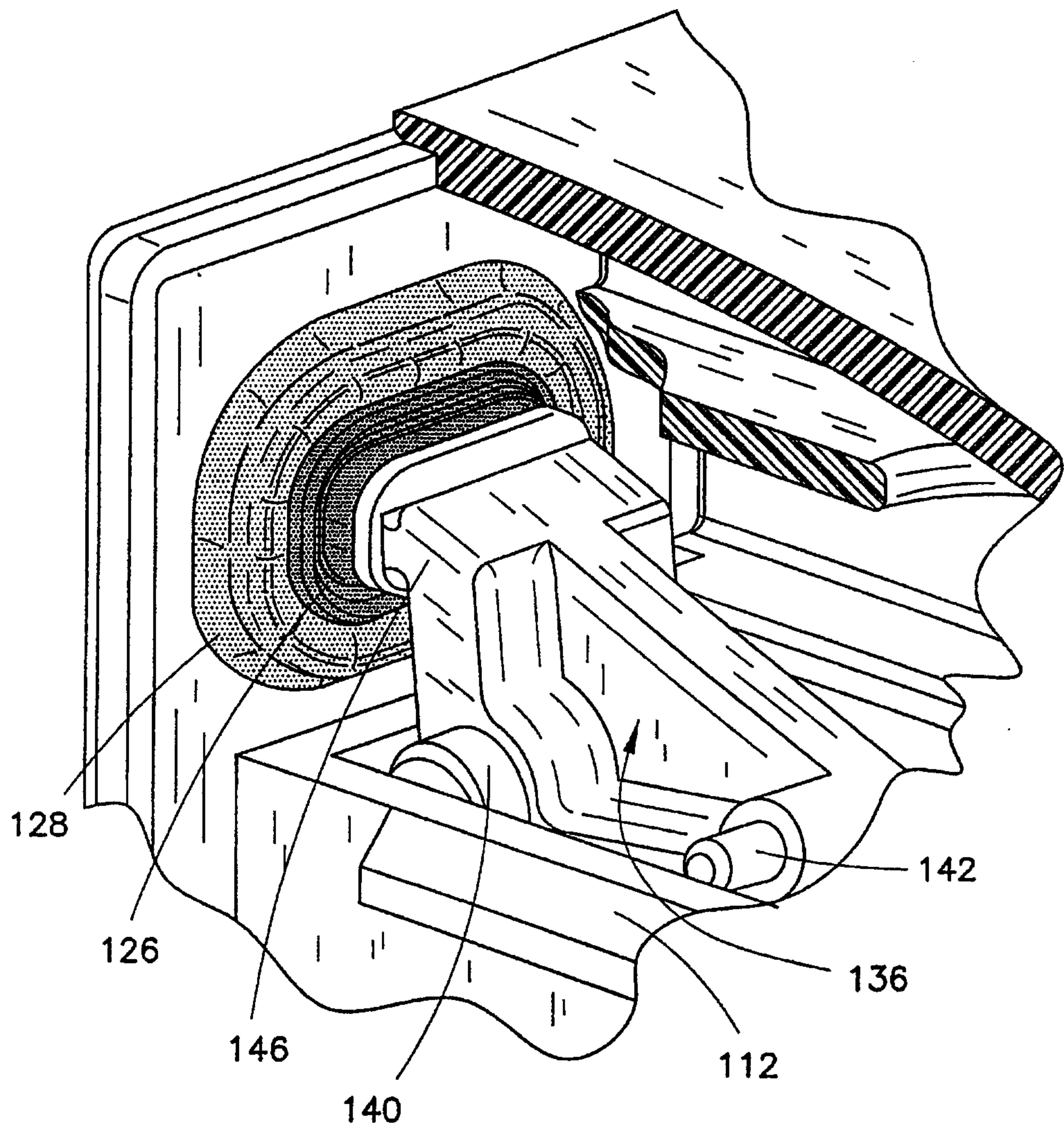


FIG. 5a

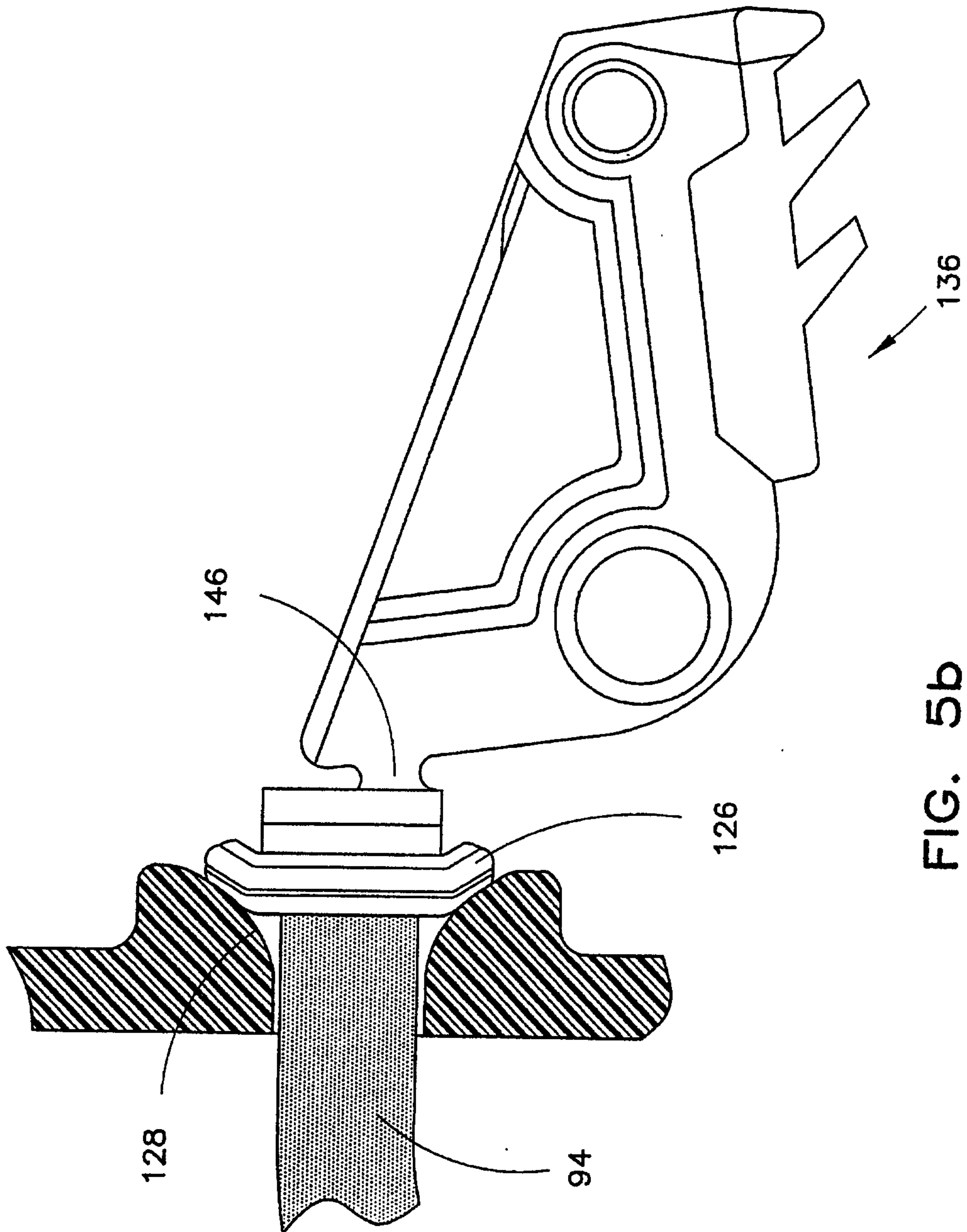
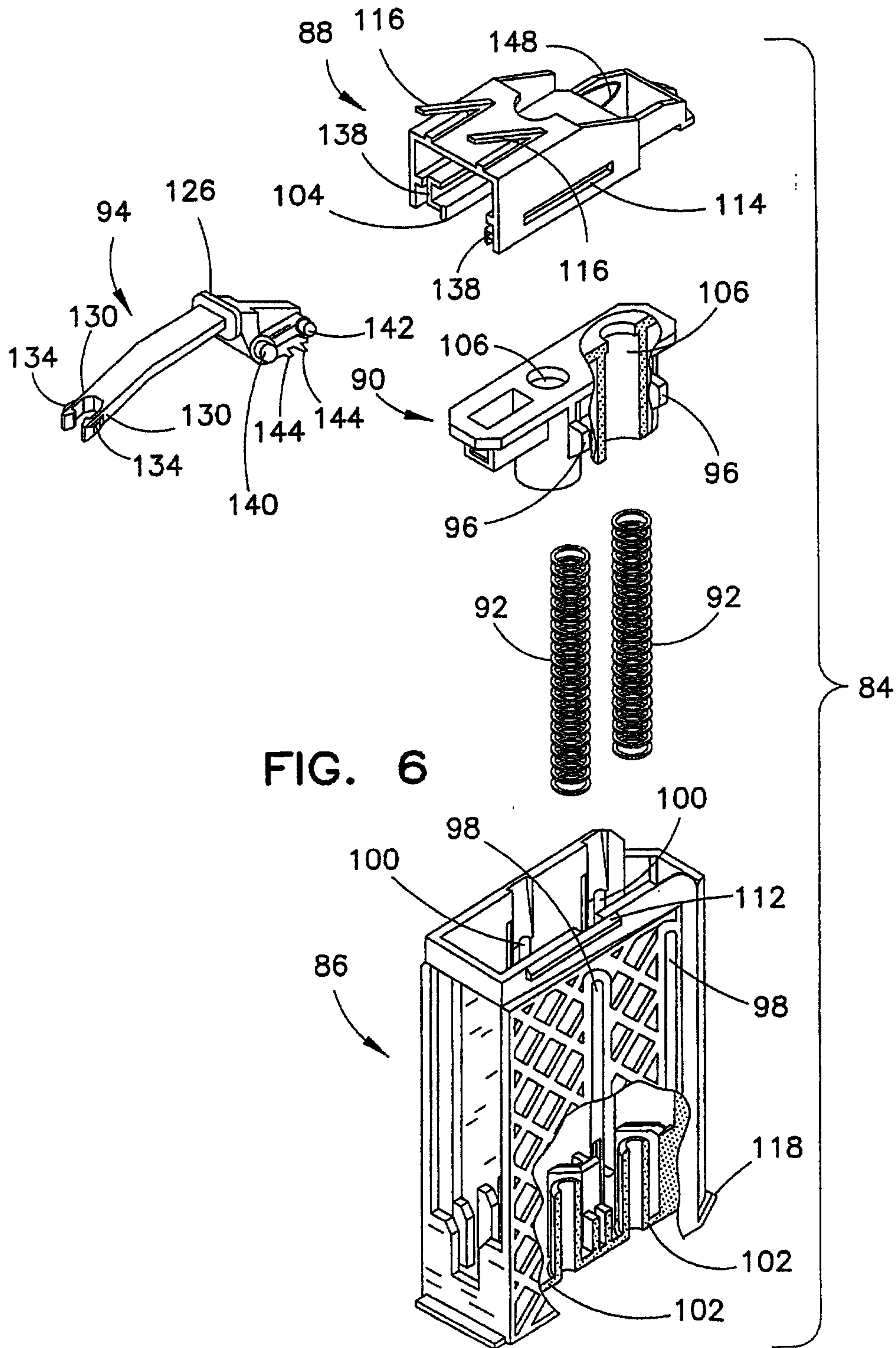


FIG. 5b

7/25



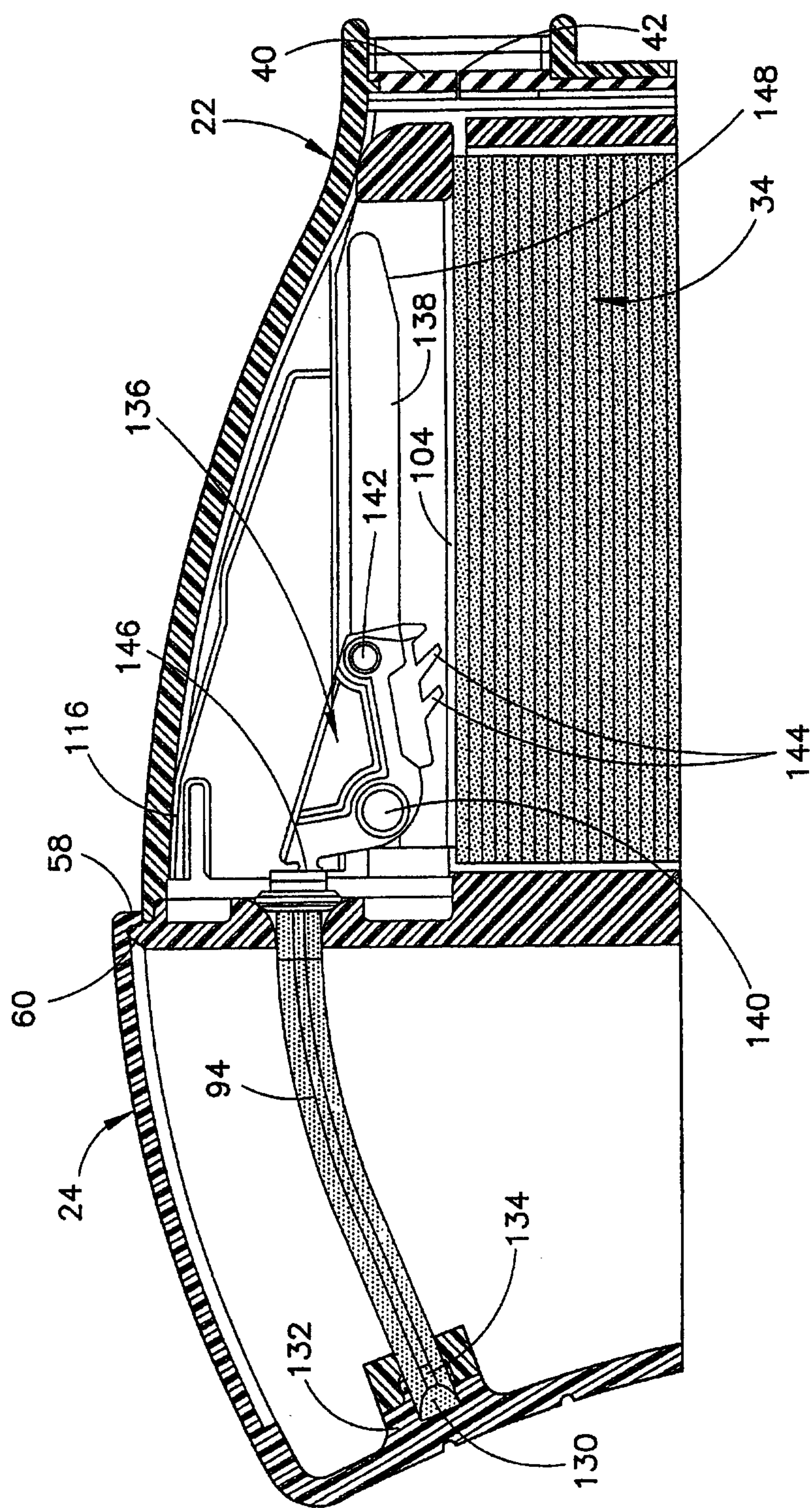


FIG. 7a

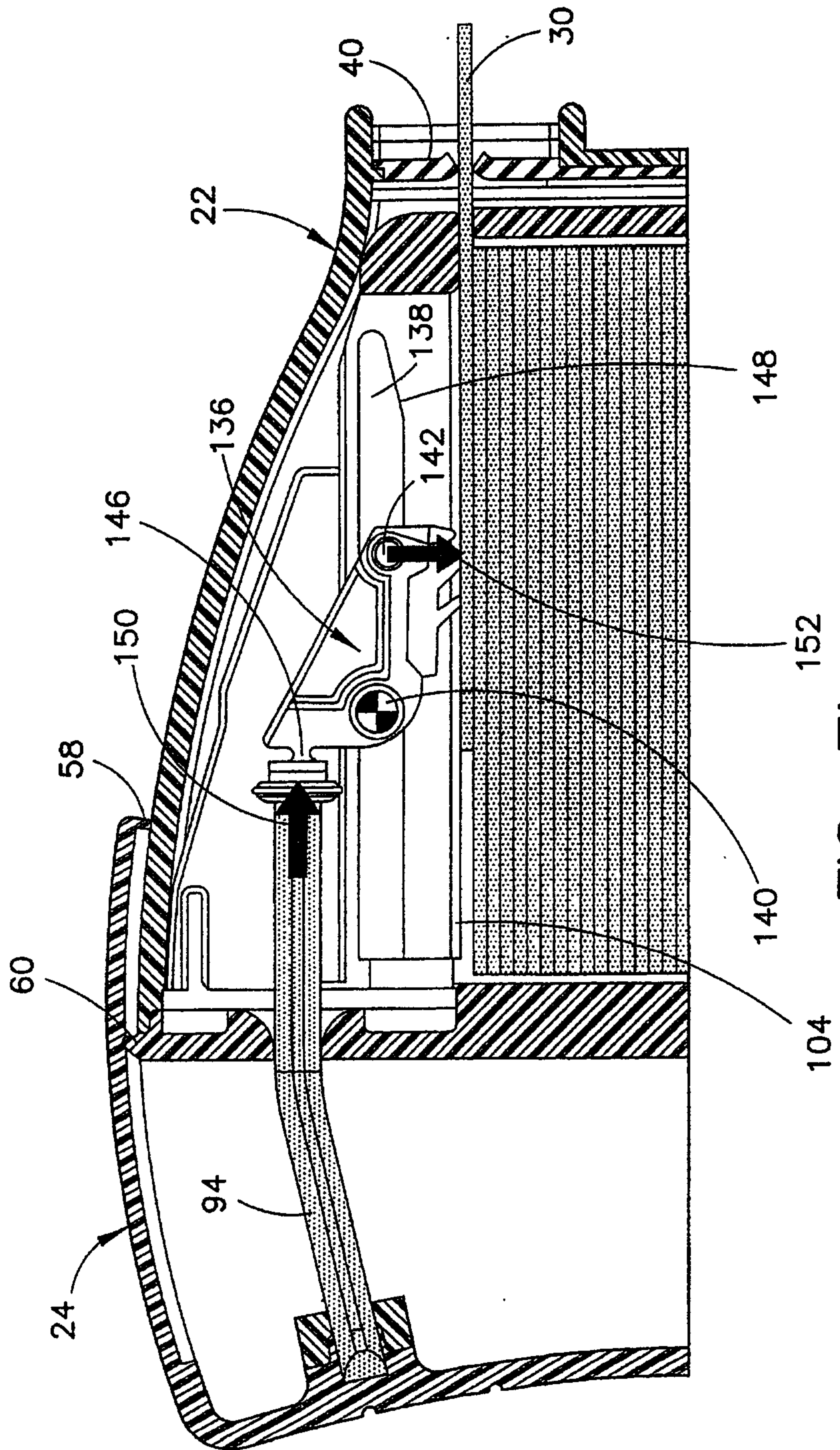


FIG. 7b

10/25

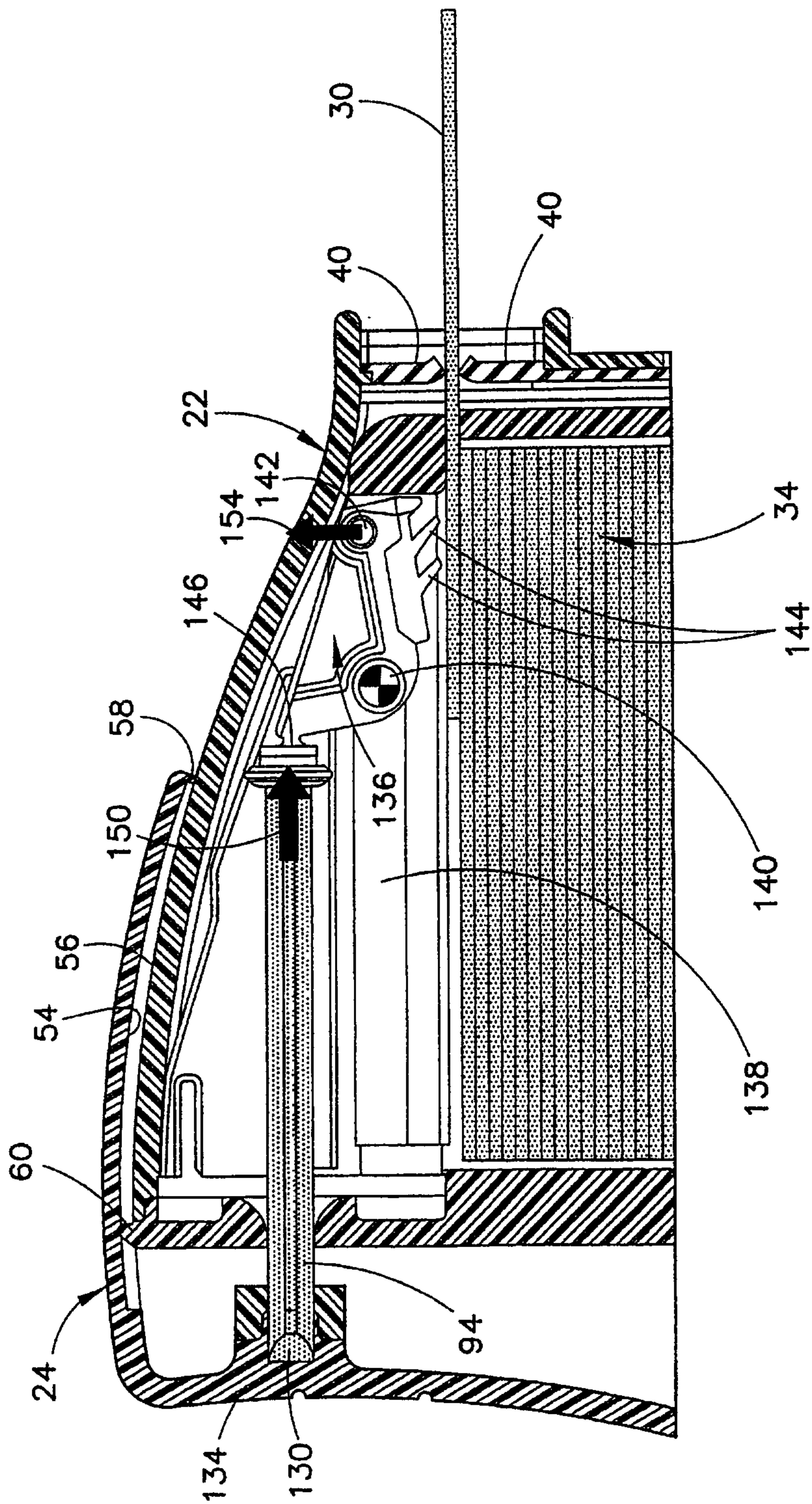


FIG. 7C

11/25

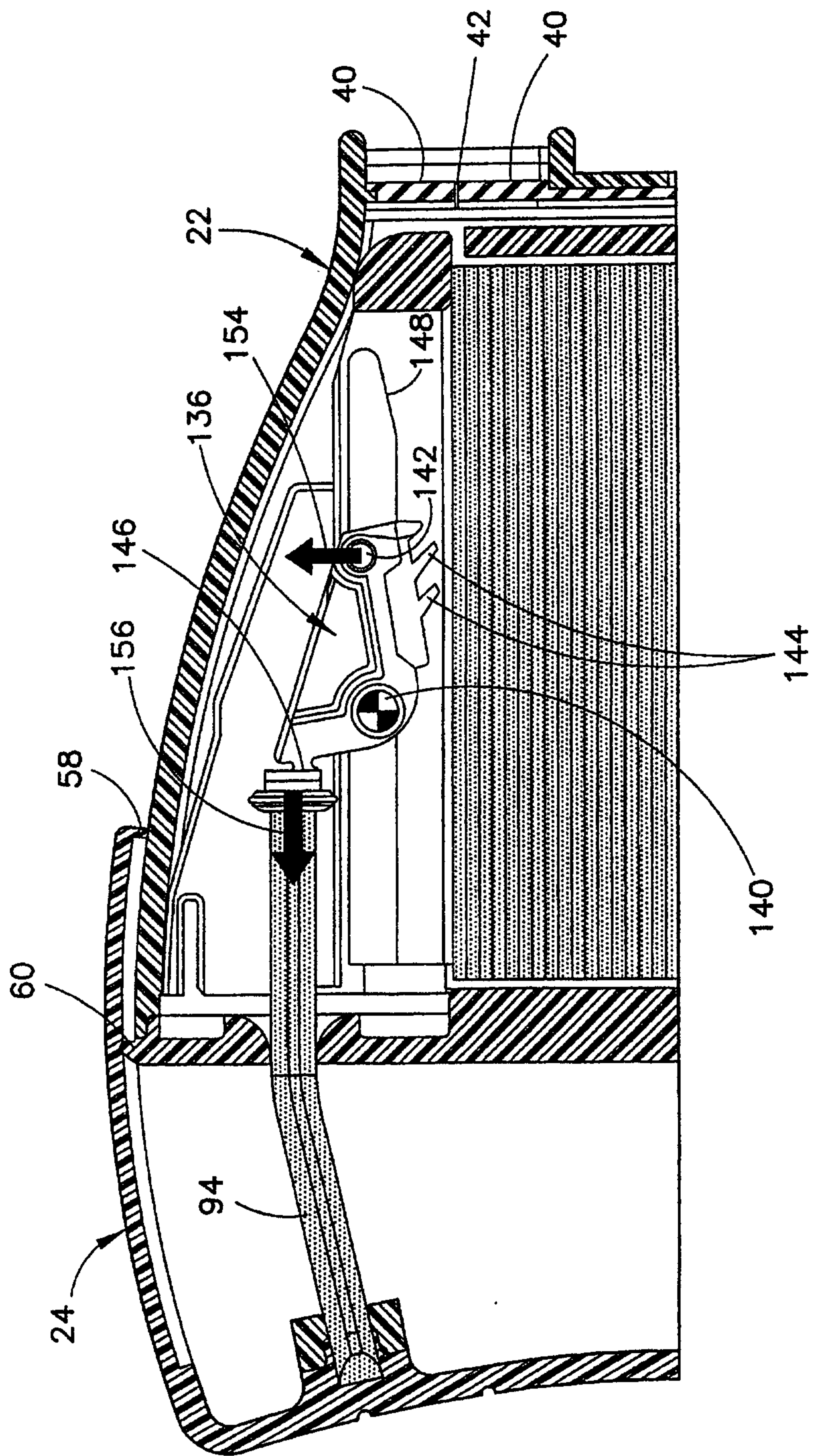


FIG. 7d

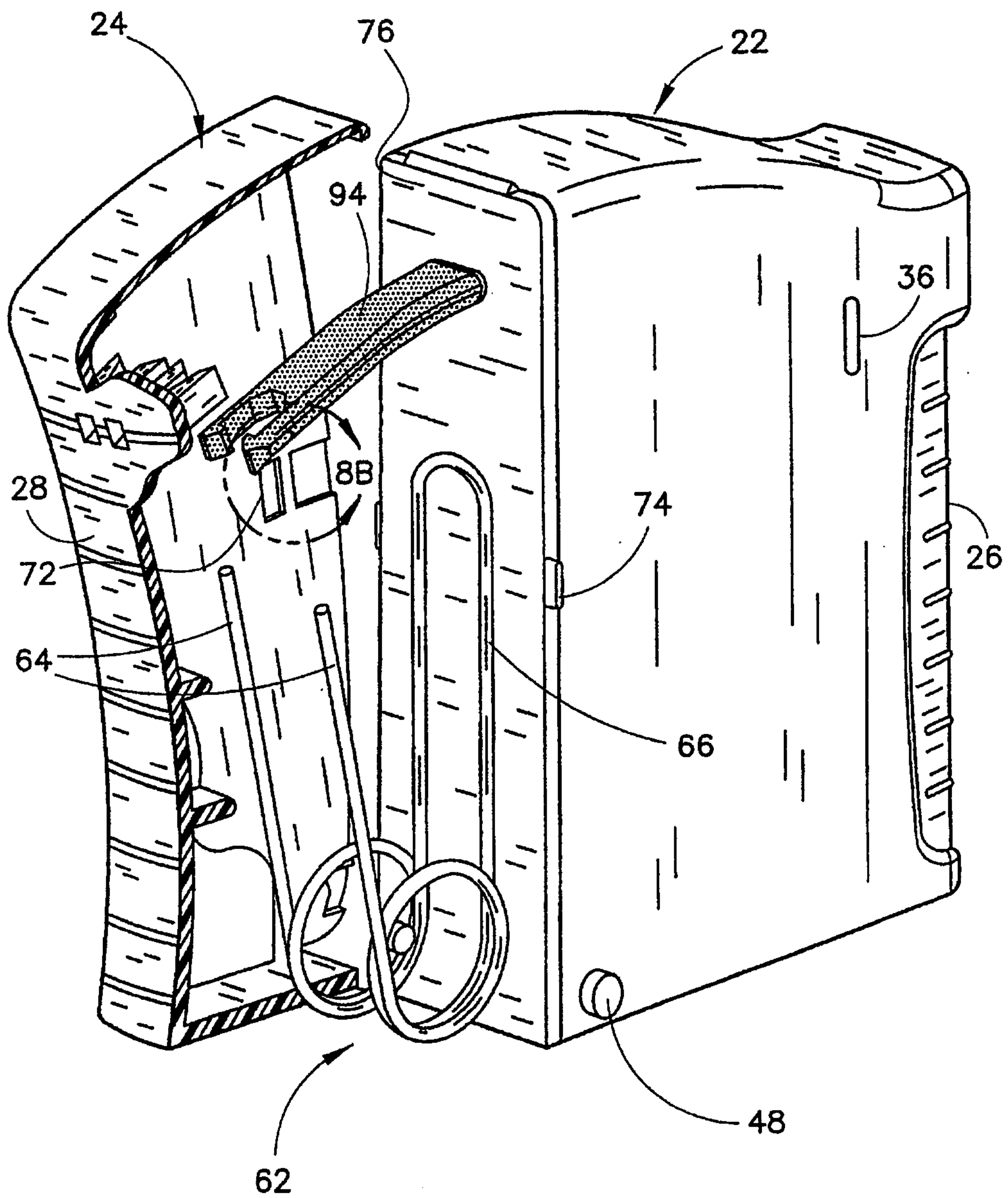


FIG. 8a

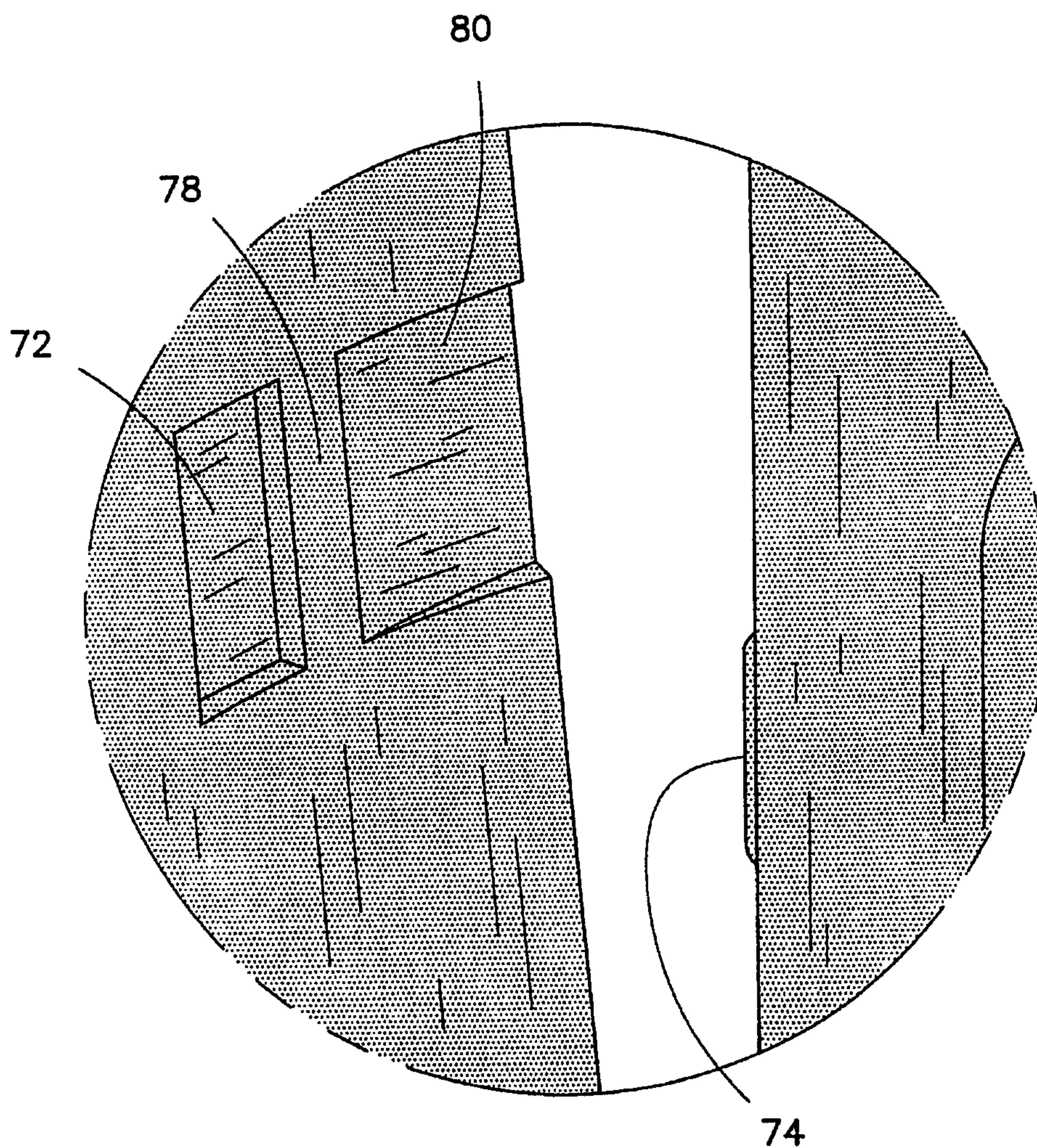


FIG. 8b

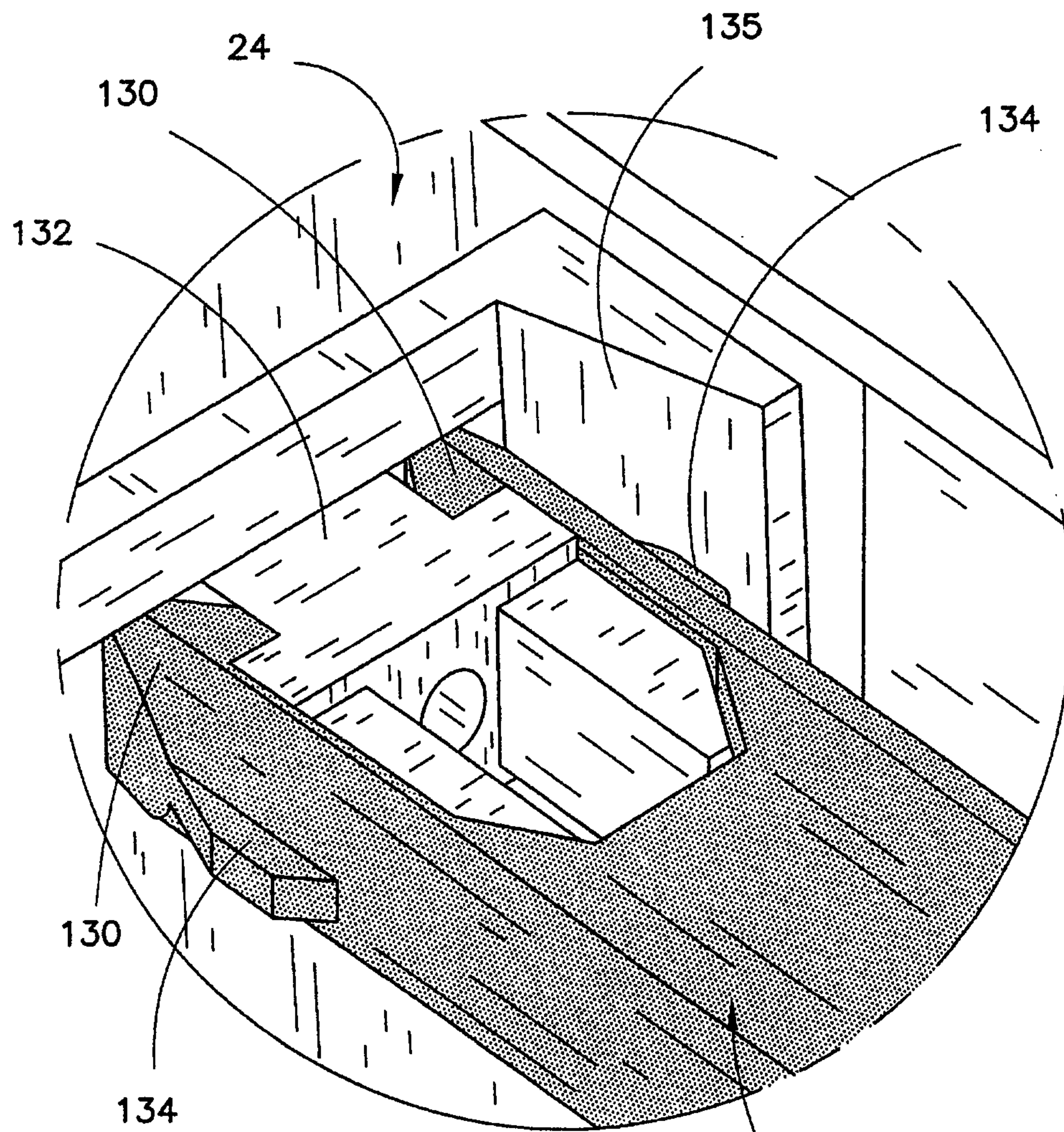
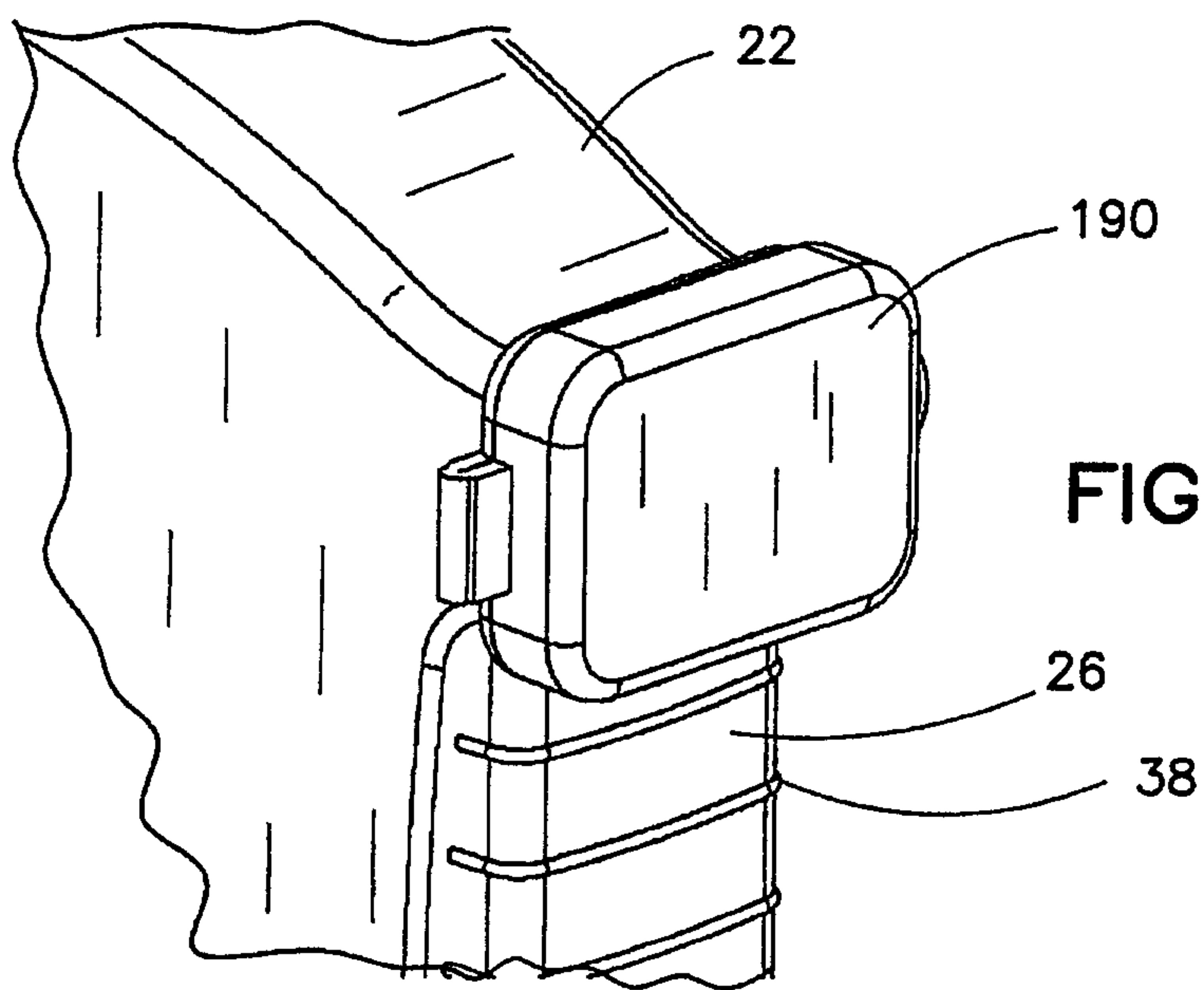
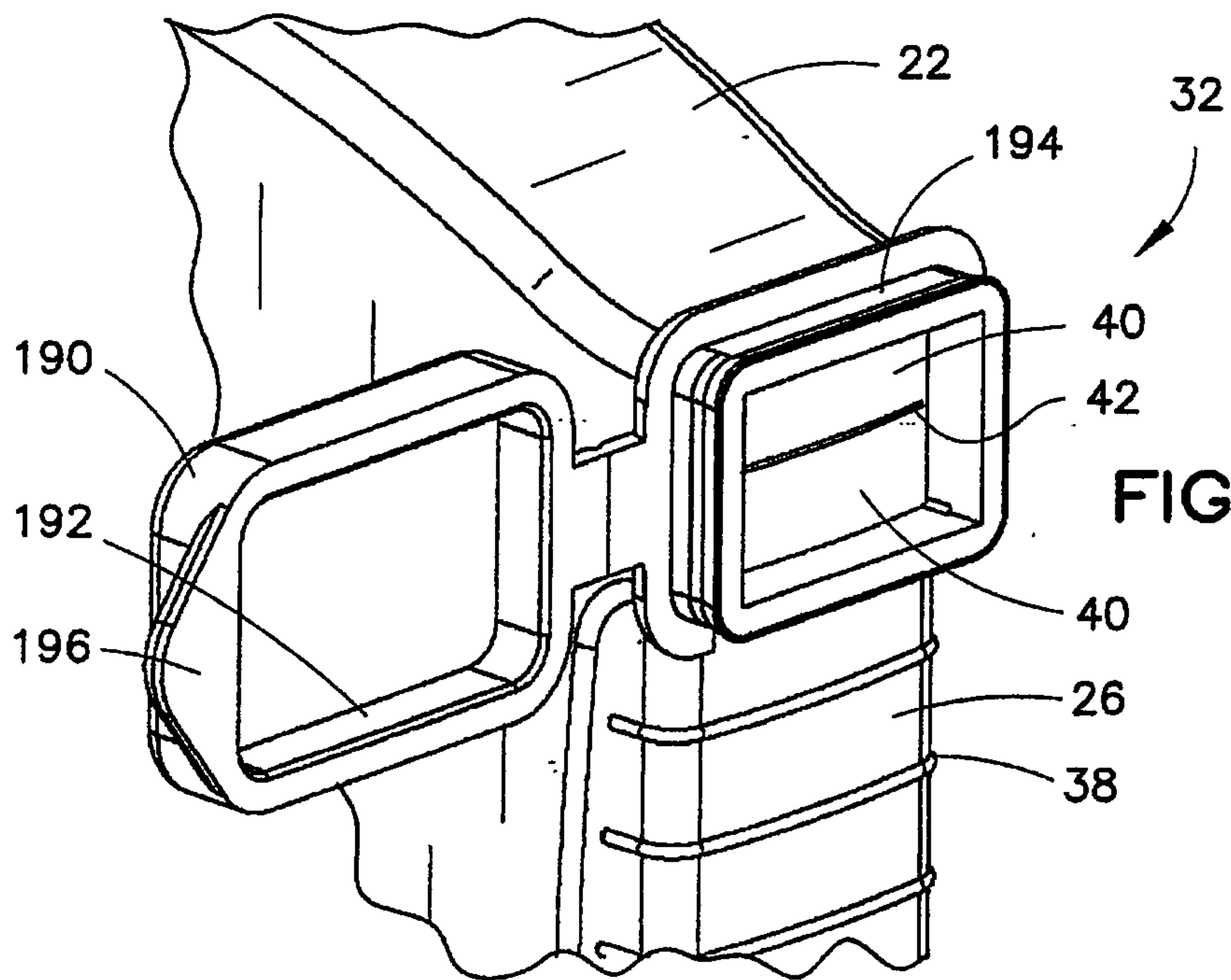


FIG. 8c

94



16/25

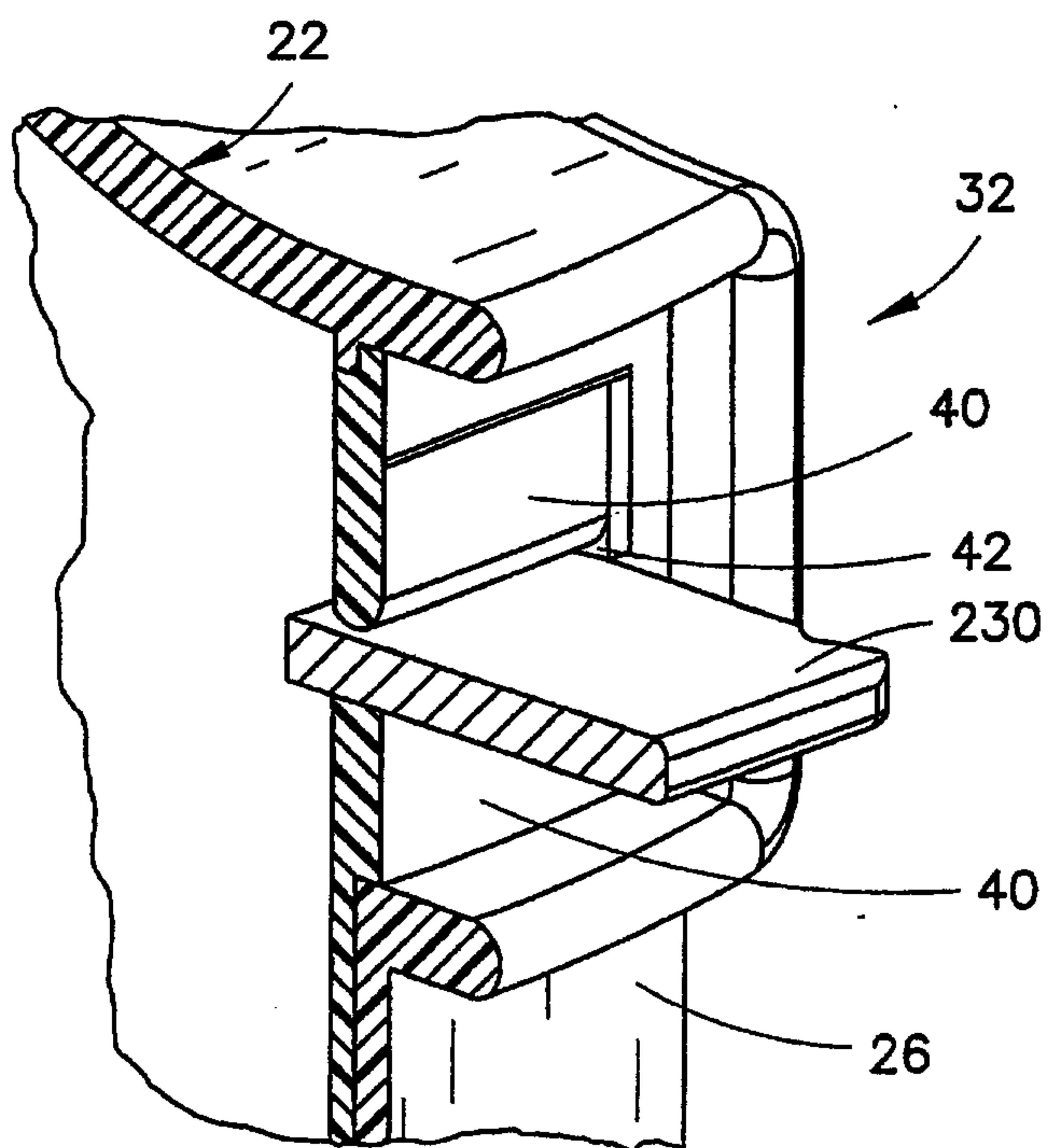


FIG. 10a

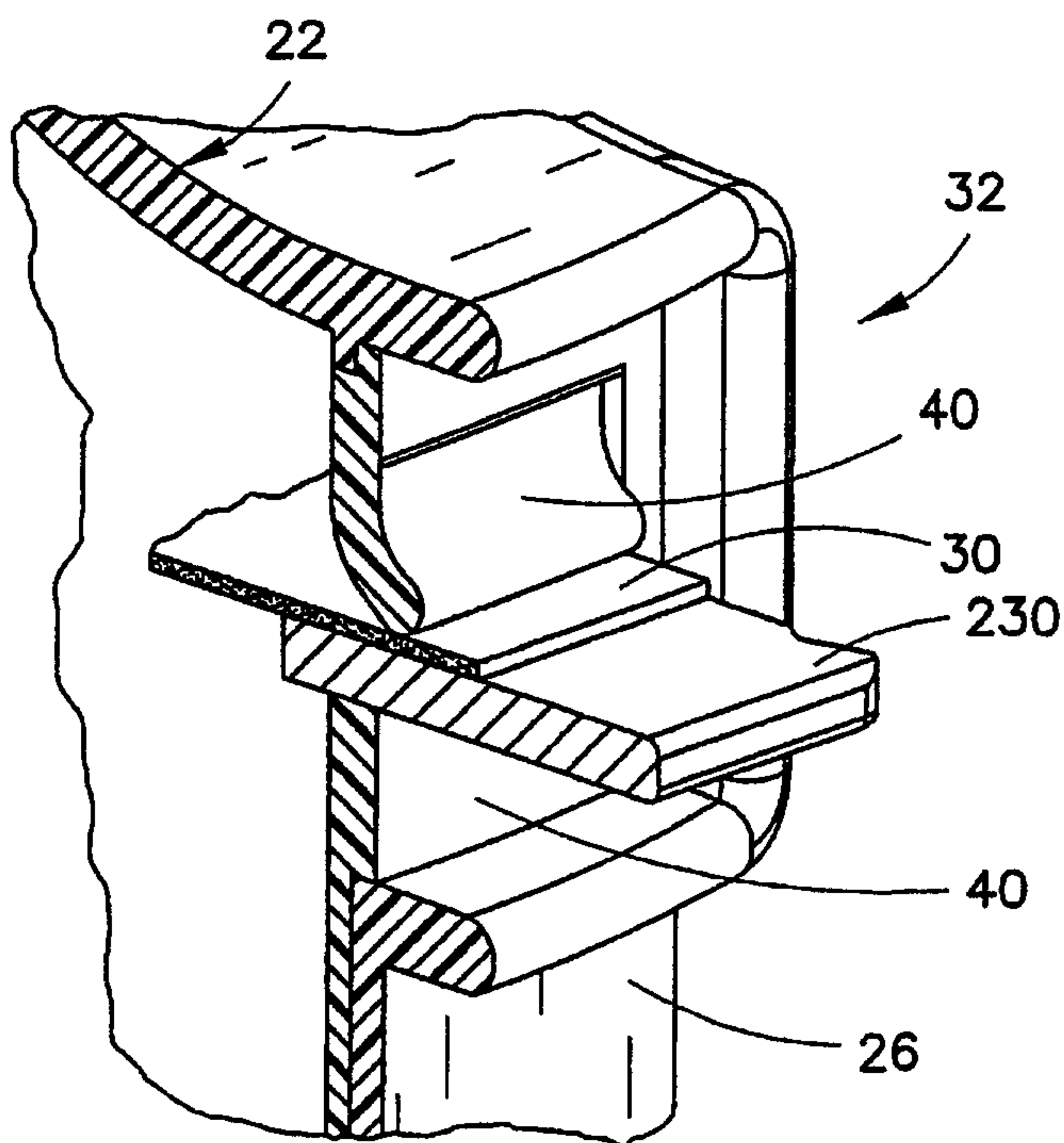


FIG. 10b

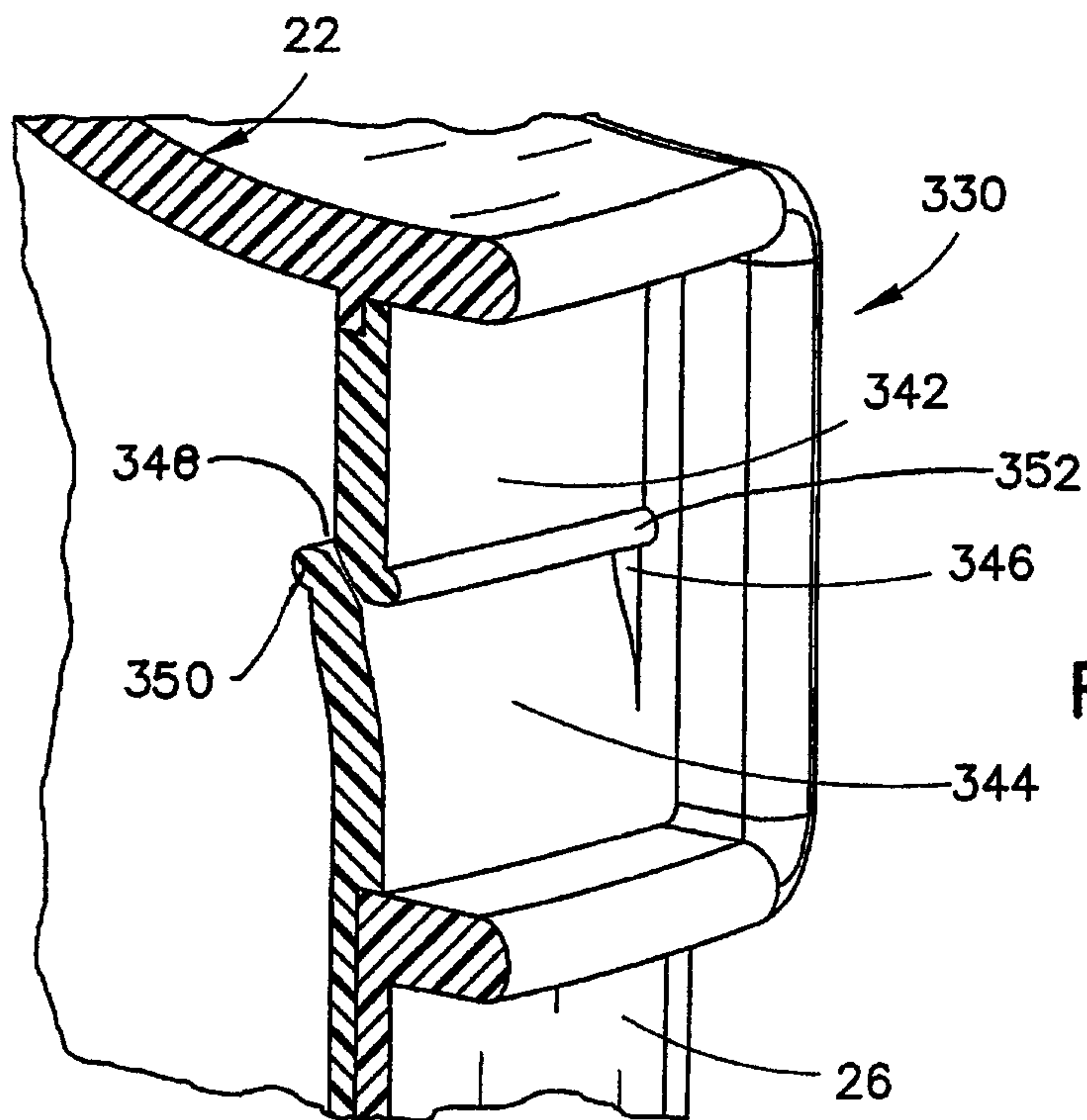


FIG. 11a

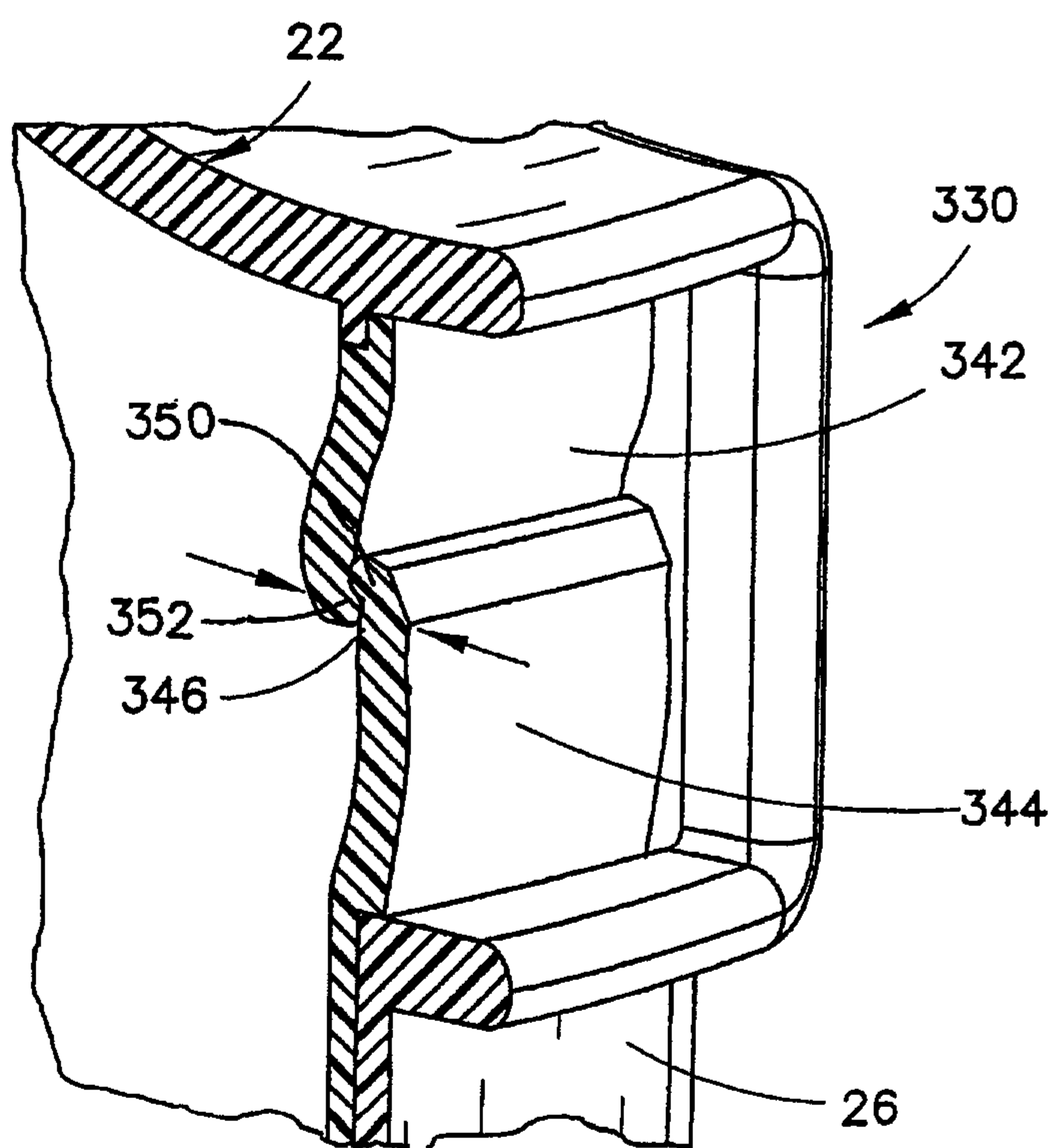


FIG. 11b

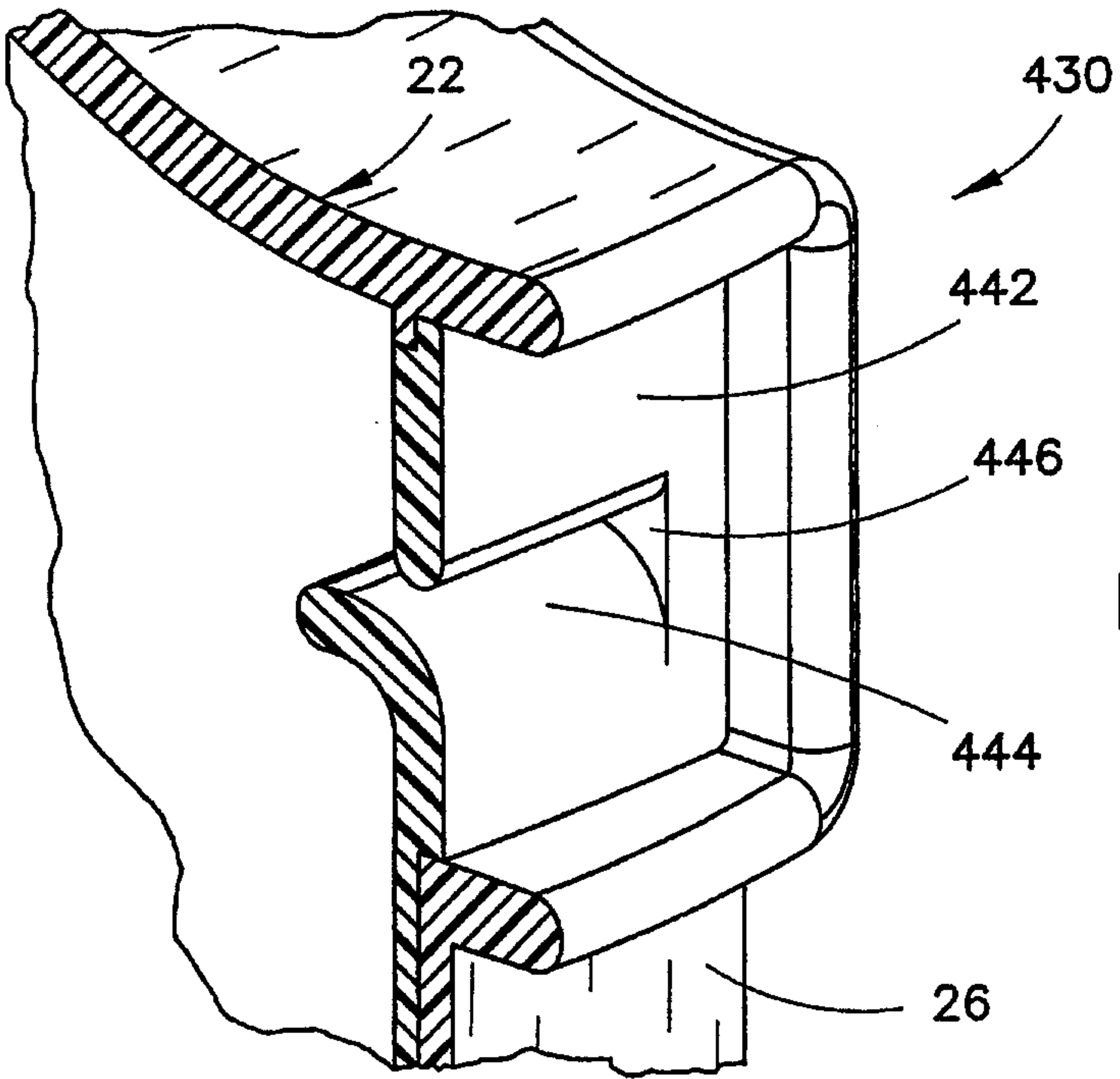


FIG. 12a

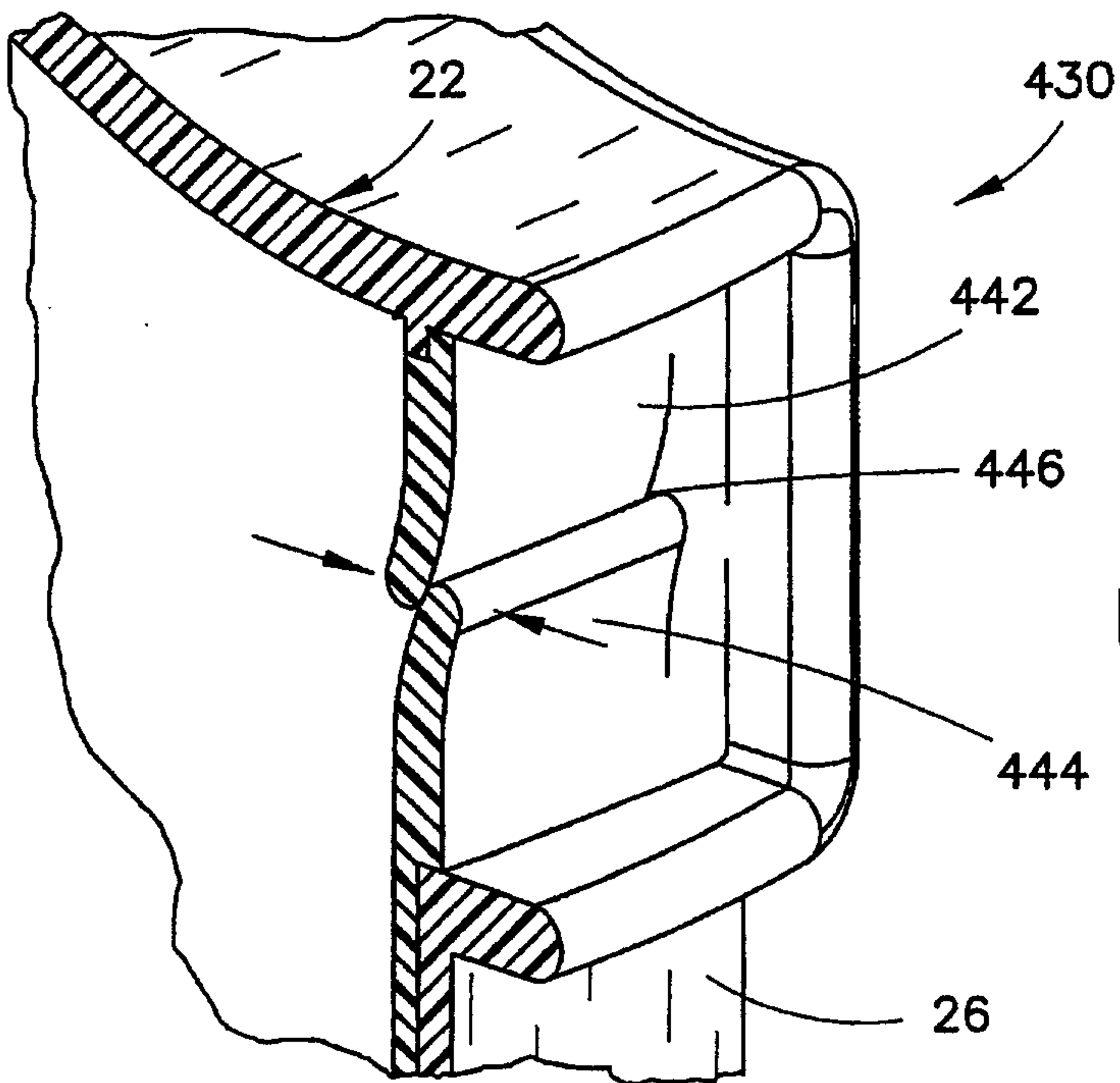
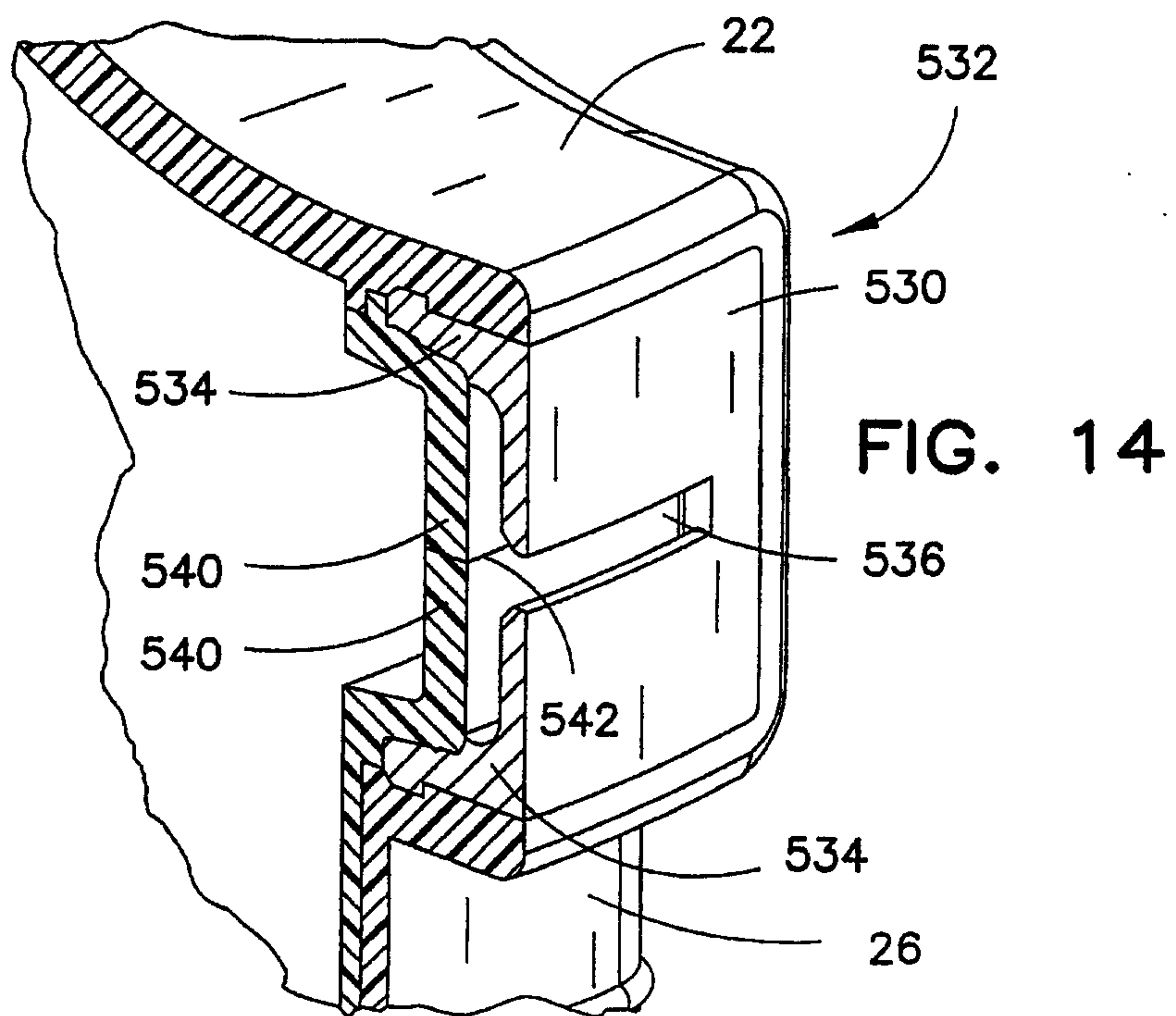
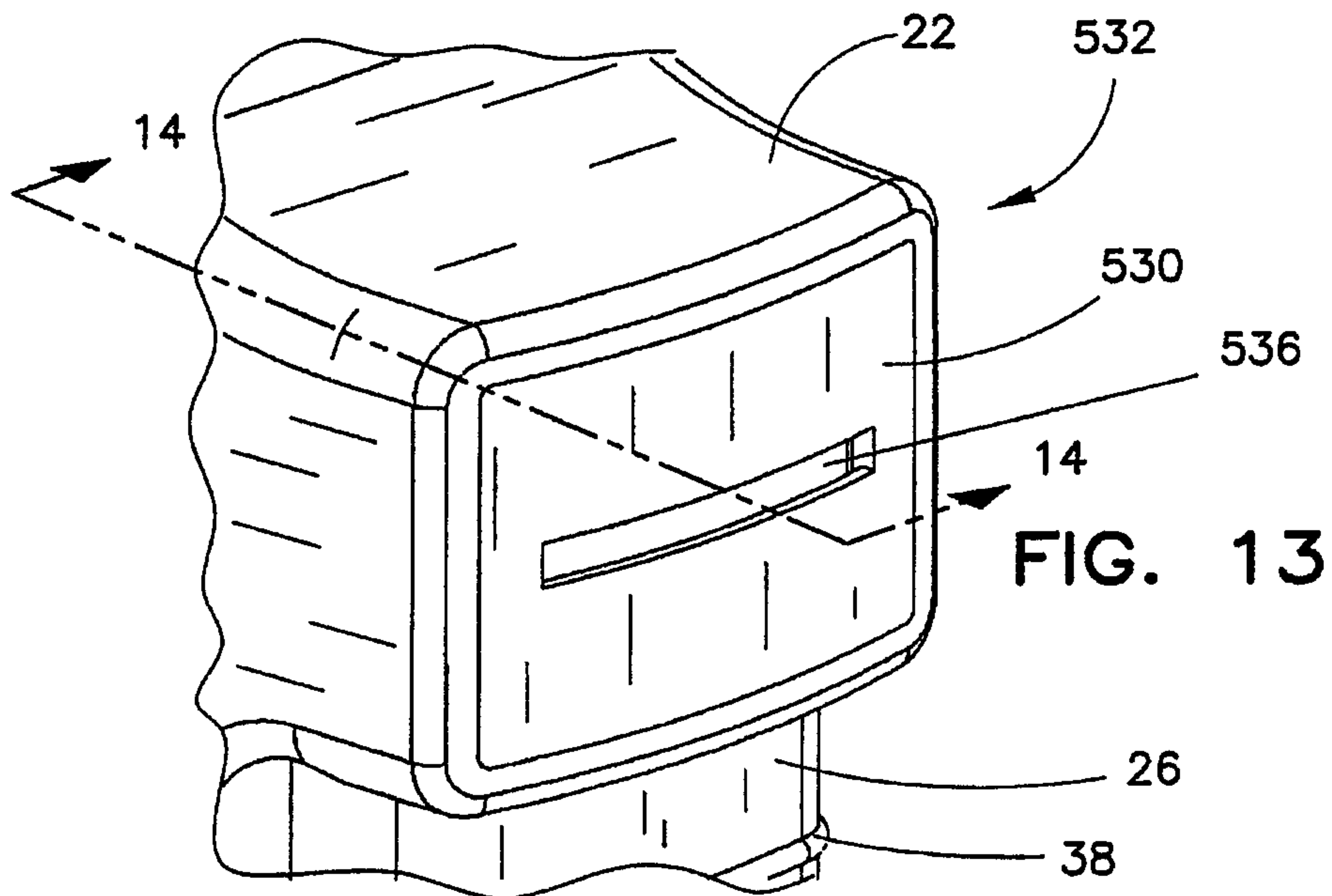


FIG. 12b



20/25

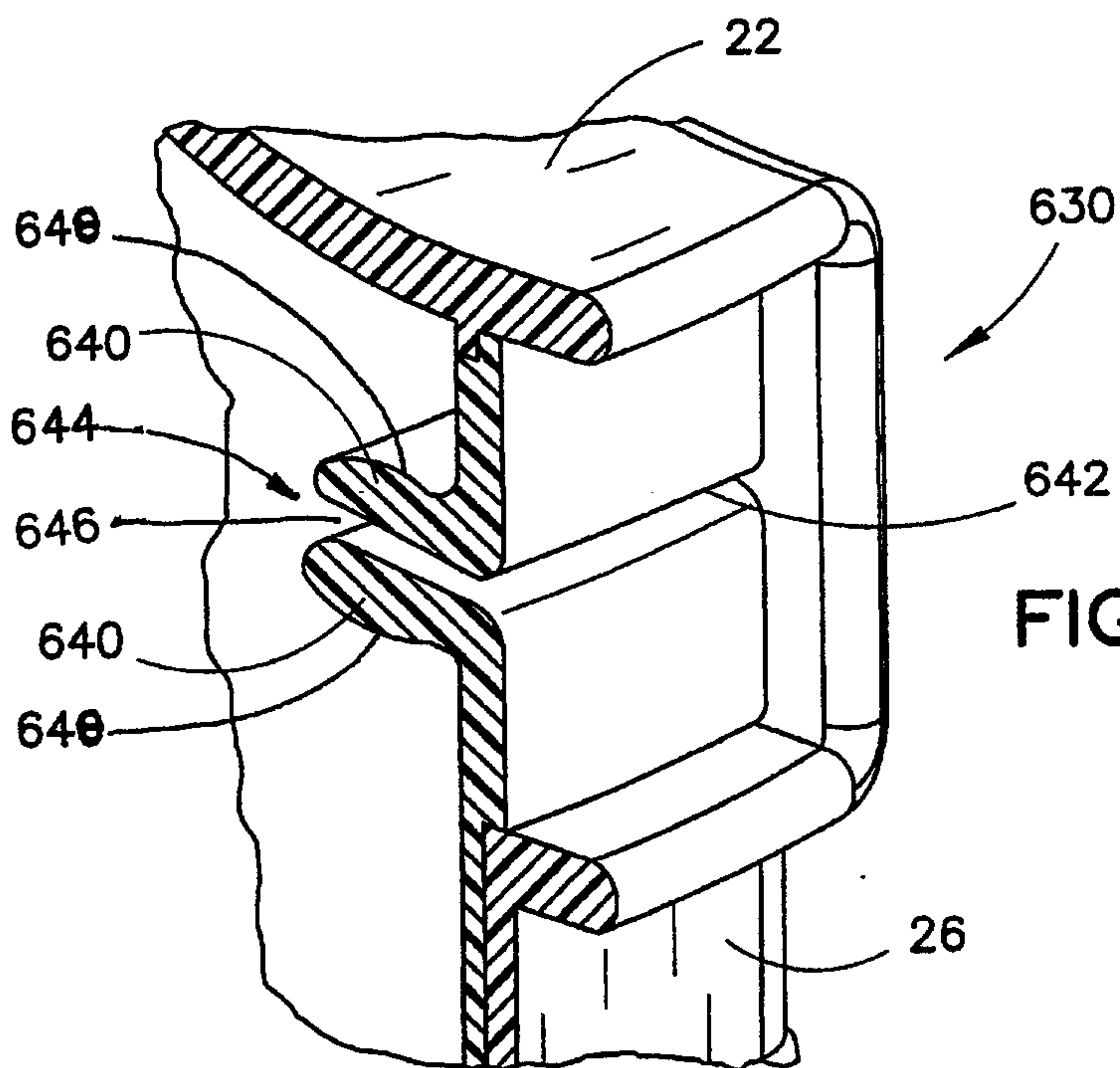


FIG. 15a

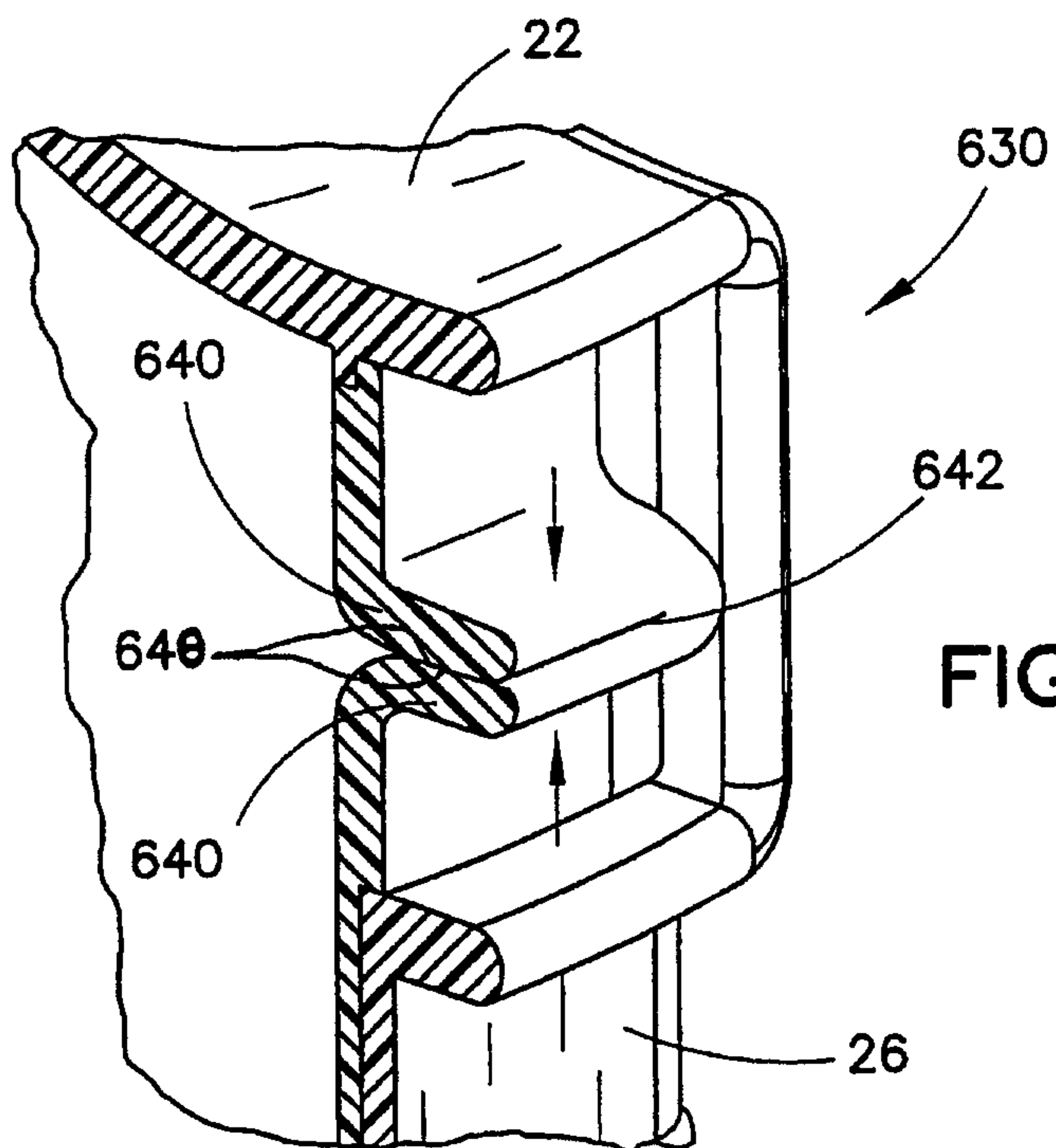


FIG. 15b

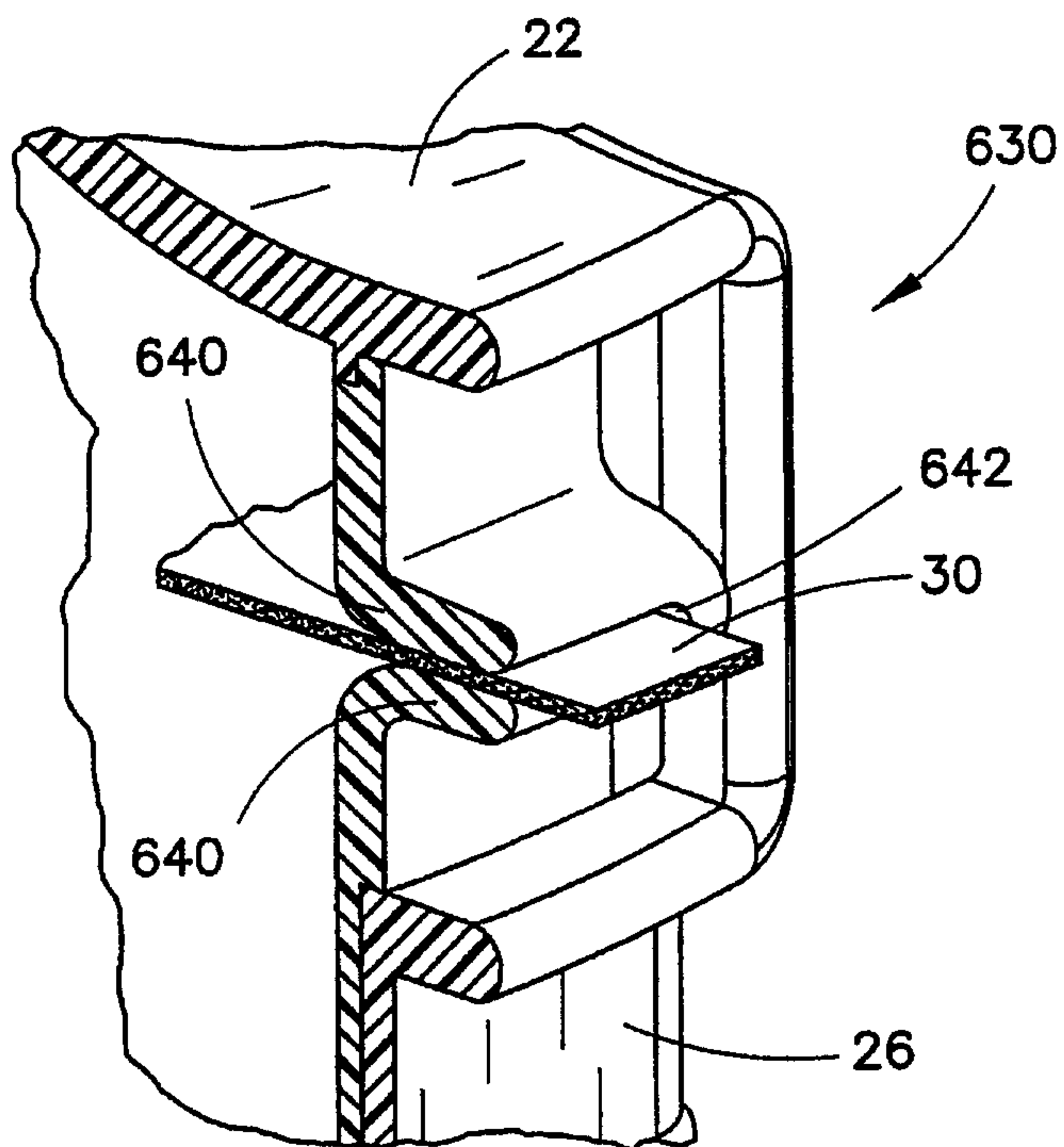


FIG. 15c

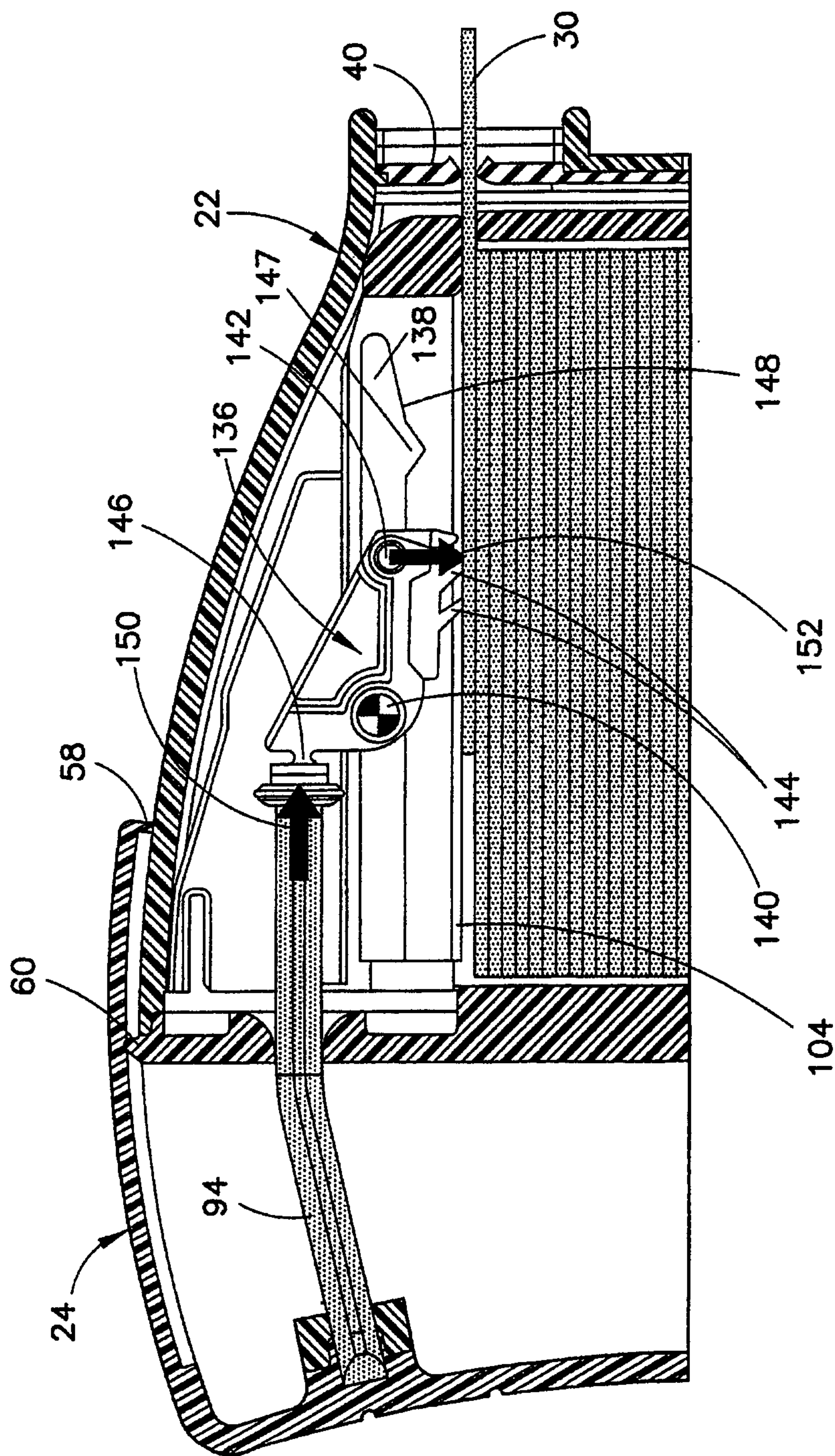


FIG. 16

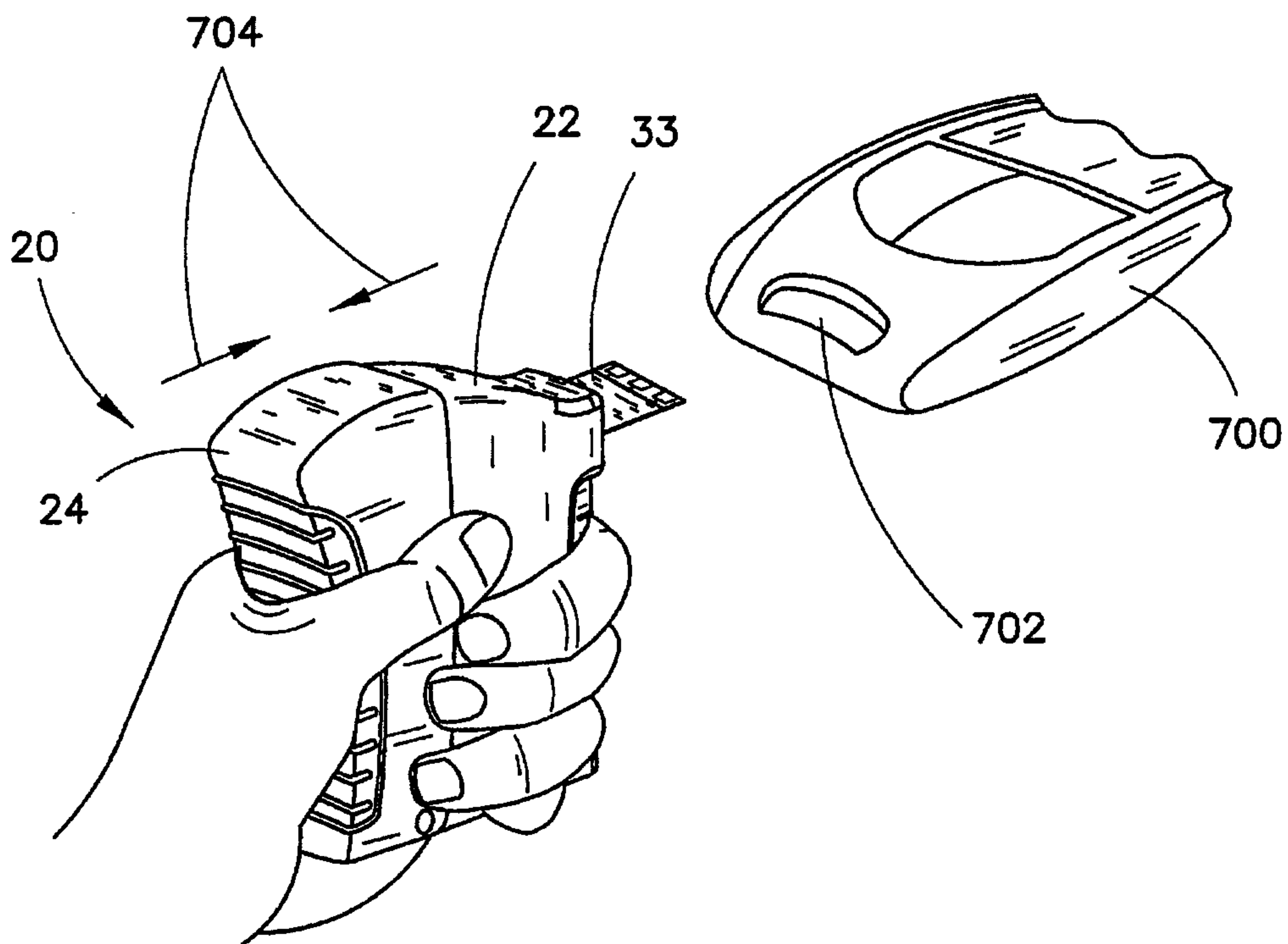


FIG. 17a

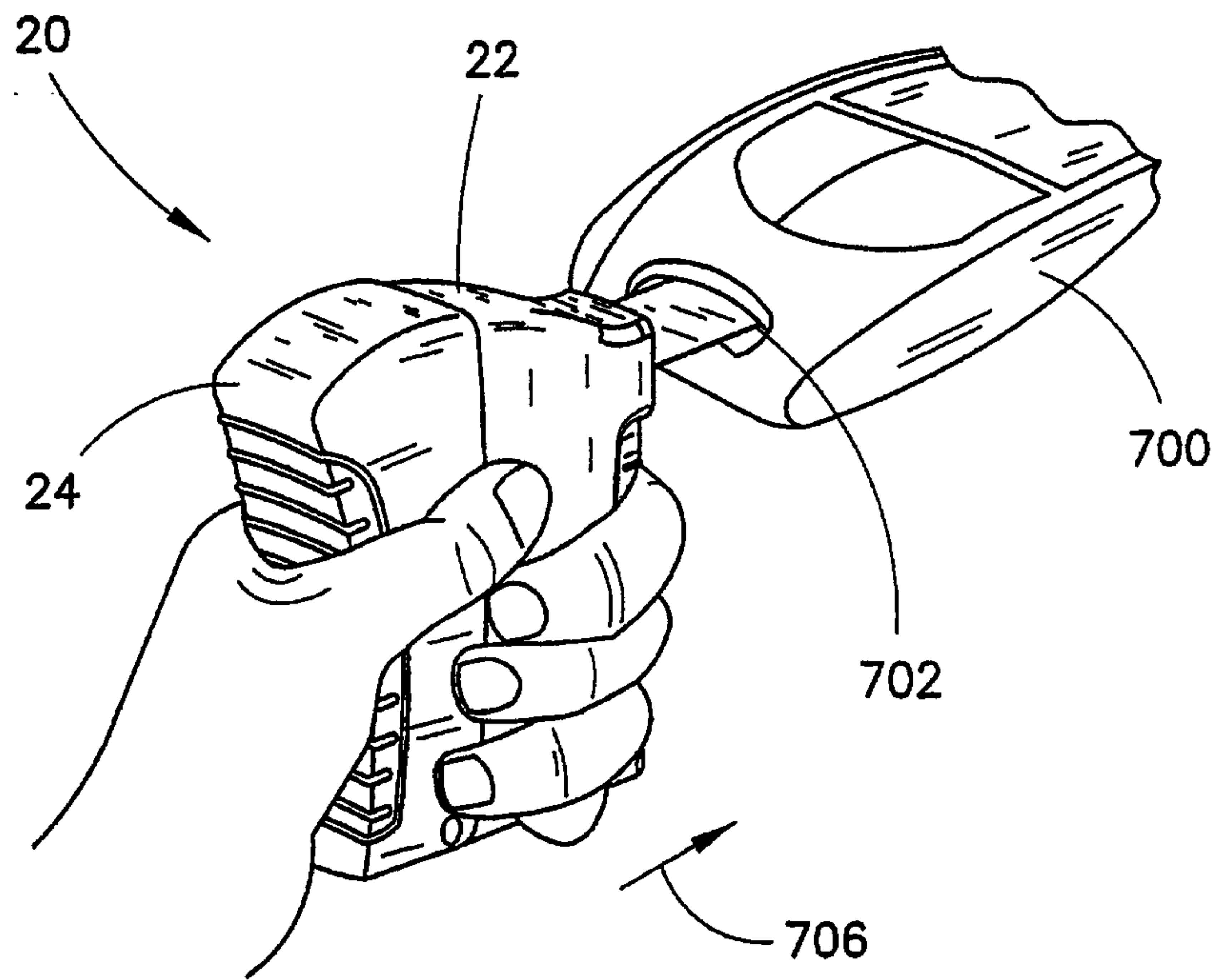


FIG. 17b

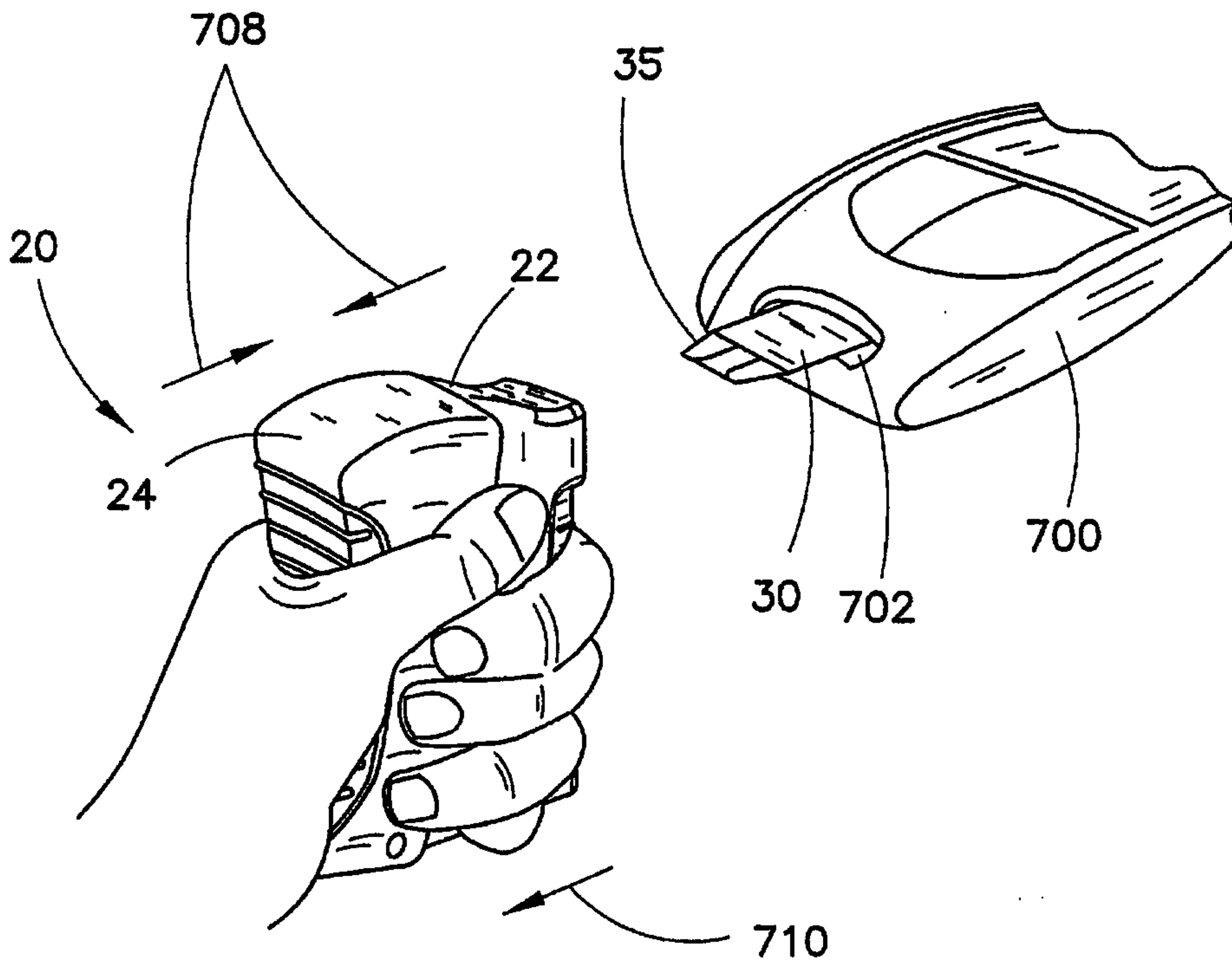


FIG. 17c

