



US00D685049S

(12) **United States Design Patent**
Hughes

(10) **Patent No.:** **US D685,049 S**

(45) **Date of Patent:** **** Jun. 25, 2013**

(54) **GOLF TEE AND PICK HOLDER**

(76) Inventor: **David L. Hughes**, Pacific, MO (US)

(**) Term: **14 Years**

(21) Appl. No.: **29/426,242**

(22) Filed: **Jul. 2, 2012**

(51) **LOC (9) Cl.** **21-02**

(52) **U.S. Cl.**
USPC **D21/796; D3/221**

(58) **Field of Classification Search**
USPC ... D21/789, 796; D3/221, 224; 473/284–286,
473/408; 224/251, 918, 919; 206/315.1–315.9
See application file for complete search history.

(56) **References Cited**

U.S. PATENT DOCUMENTS

D274,830	S	*	7/1984	Lynch	D3/224
4,736,877	A	*	4/1988	Clark	224/666
D394,549	S	*	5/1998	Frazier	D3/221
5,934,530	A	*	8/1999	Antezak et al.	224/197
D416,134	S	*	11/1999	Cloutier	D3/221
6,634,528	B2	*	10/2003	Hurtgam	224/251
D486,636	S	*	2/2004	Rudeen et al.	D3/221

6,808,095	B2	*	10/2004	Hurtgam	224/251
D514,647	S	*	2/2006	Mora et al.	D21/796
D517,802	S	*	3/2006	Crippen	D3/221
D674,594	S	*	1/2013	Amorello et al.	D3/221

* cited by examiner

Primary Examiner — Mitchell Siegel

(74) *Attorney, Agent, or Firm* — Grace J. Fishel

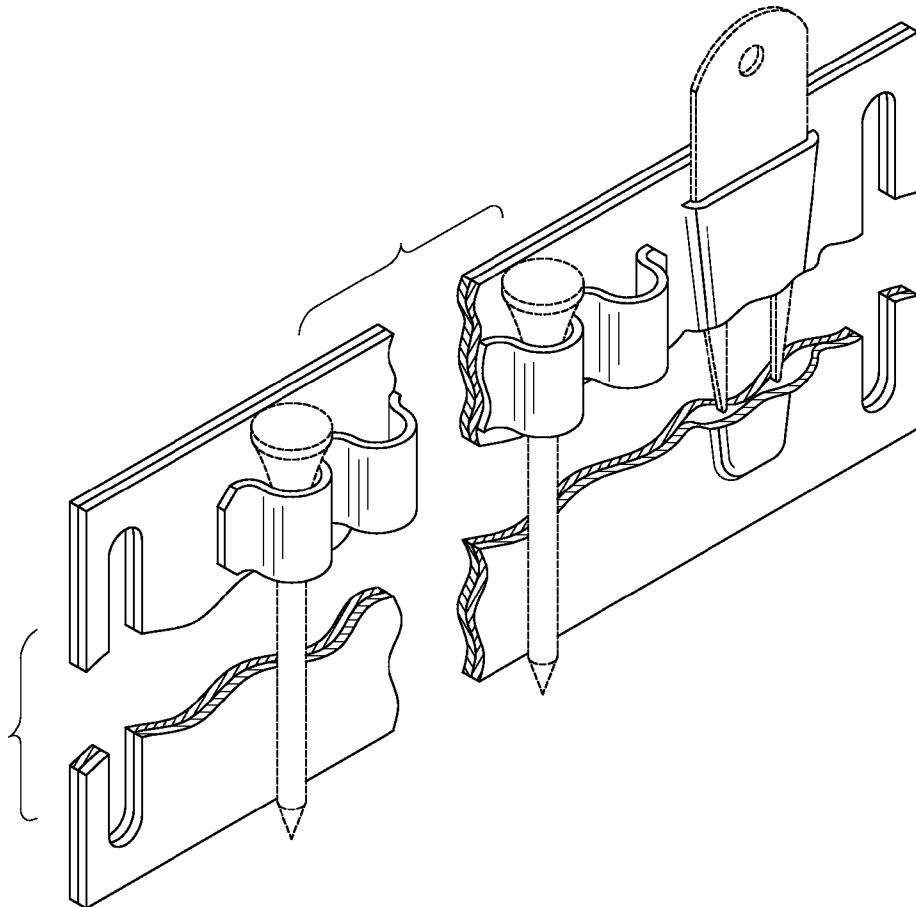
(57) **CLAIM**

The ornamental design for a golf tee and pick holder, as shown.

DESCRIPTION

FIG. 1 is a perspective view of a golf tee and pick holder showing my new design; FIG. 2 is a top view thereof; FIG. 3 is a front elevation thereof; FIG. 4 is a bottom view thereof; FIG. 5 is a left side view thereof; FIG. 6 is a right side view thereof; and, FIG. 7 is a rear elevation thereof. The golf tees and pick shown in broken lines are not part of the design.

1 Claim, 3 Drawing Sheets



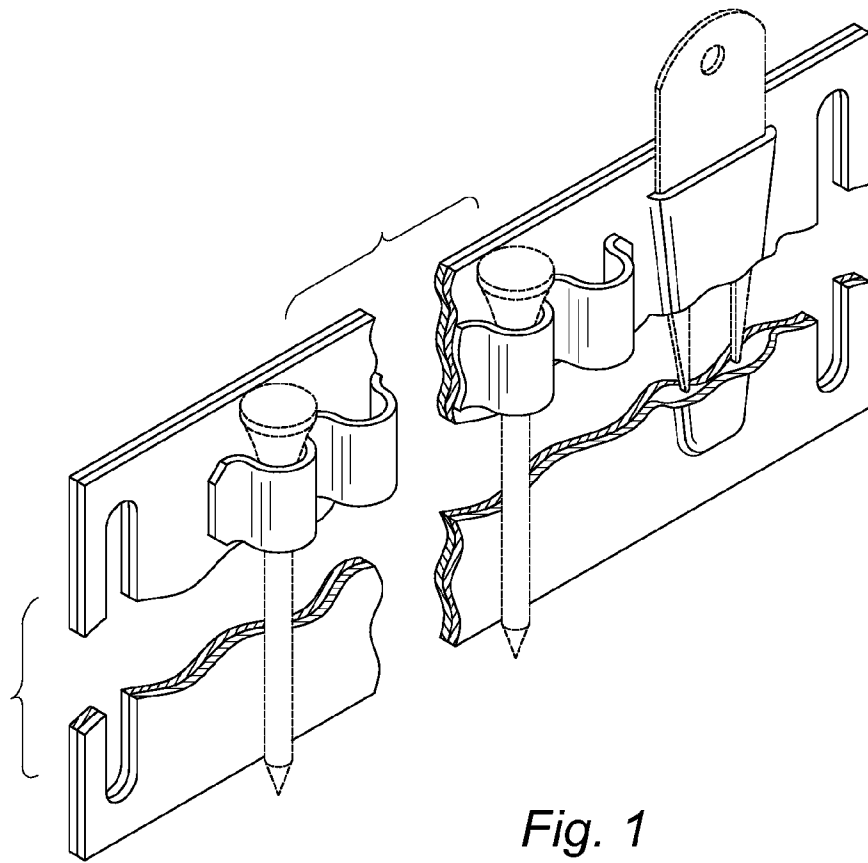


Fig. 1

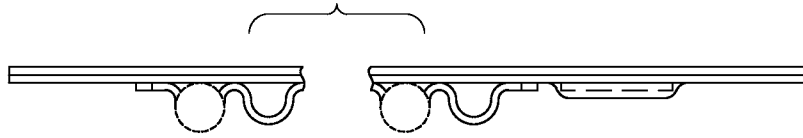


Fig. 3

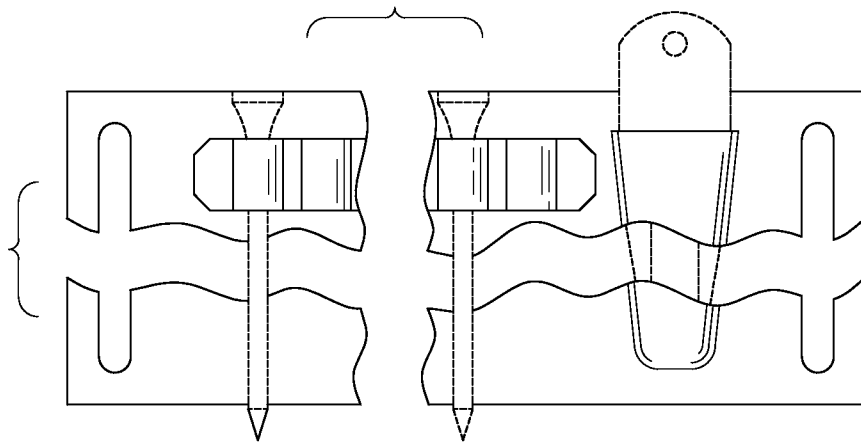


Fig. 2



Fig. 4

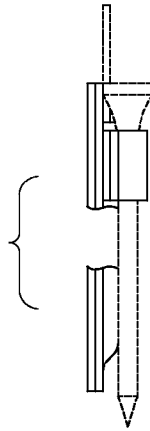


Fig. 5

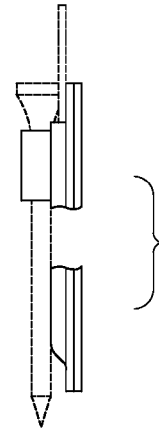


Fig. 6

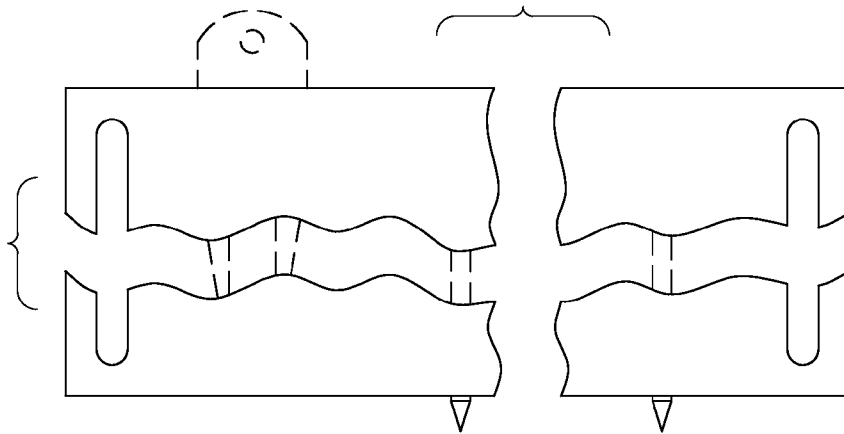


Fig. 7