



US00D446684B1

(12) **United States Design Patent**  
**Price**

(10) **Patent No.:** **US D446,684 S**

(45) **Date of Patent:** **\*\* Aug. 21, 2001**

(54) **MUG**  
(75) **Inventor:** **Eric Justin Price**, Medford, MA (US)  
(73) **Assignee:** **Punch Products USA, Inc.**, Rahway, NJ (US)  
(\*\*) **Term:** **14 Years**

D. 392,842 \* 3/1998 Parpaiola ..... D7/509  
D. 406,985 \* 3/1999 Trombly ..... D7/536  
D. 423,877 \* 5/2000 Kerr ..... D7/509  
D. 424,877 \* 5/2000 Cayouette ..... D7/523  
D. 433,205 \* 10/2000 Cayouette ..... D34/1  
1,134,354 \* 4/1915 Seifke ..... 215/382

\* cited by examiner

*Primary Examiner*—M. N. Pandozzi

(74) *Attorney, Agent, or Firm*—Pennie & Edmonds LLP

(21) **Appl. No.:** **29/117,842**  
(22) **Filed:** **Jan. 31, 2000**

(57) **CLAIM**

The ornamental design for a mug, as shown and described.

(51) **LOC (7) Cl.** ..... **07-01**  
(52) **U.S. Cl.** ..... **D7/509; D7/531**  
(58) **Field of Search** ..... **D7/509, 507, 523,**  
**D7/515, 536, 533, 531; D34/1; 220/669,**  
**729, 908, 910, 911, 630, 756, 675; 215/382**

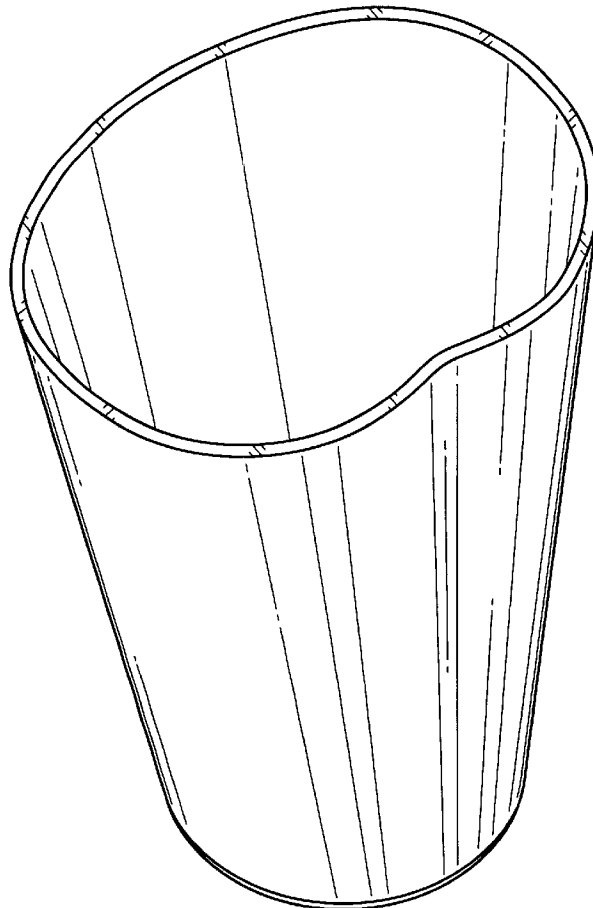
**DESCRIPTION**

FIG. 1 is a perspective view of a mug according to the present invention;  
FIG. 2 is a front view thereof;  
FIG. 3 is a rear view thereof;  
FIG. 4 is a right side view thereof, the left side view being a mirror image thereof;  
FIG. 5 is a top view thereof; and,  
FIG. 6 is a bottom view thereof.

(56) **References Cited**  
**U.S. PATENT DOCUMENTS**

D. 31,819 \* 11/1899 Shipman et al. .... D7/509 X  
D. 47,354 \* 5/1915 Anderson ..... D7/523  
D. 223,703 \* 5/1972 Cheladze ..... D7/523  
D. 371,937 \* 7/1996 Peugeot et al. .... D7/536  
D. 389,700 \* 1/1998 Bingham ..... D7/509

**1 Claim, 6 Drawing Sheets**



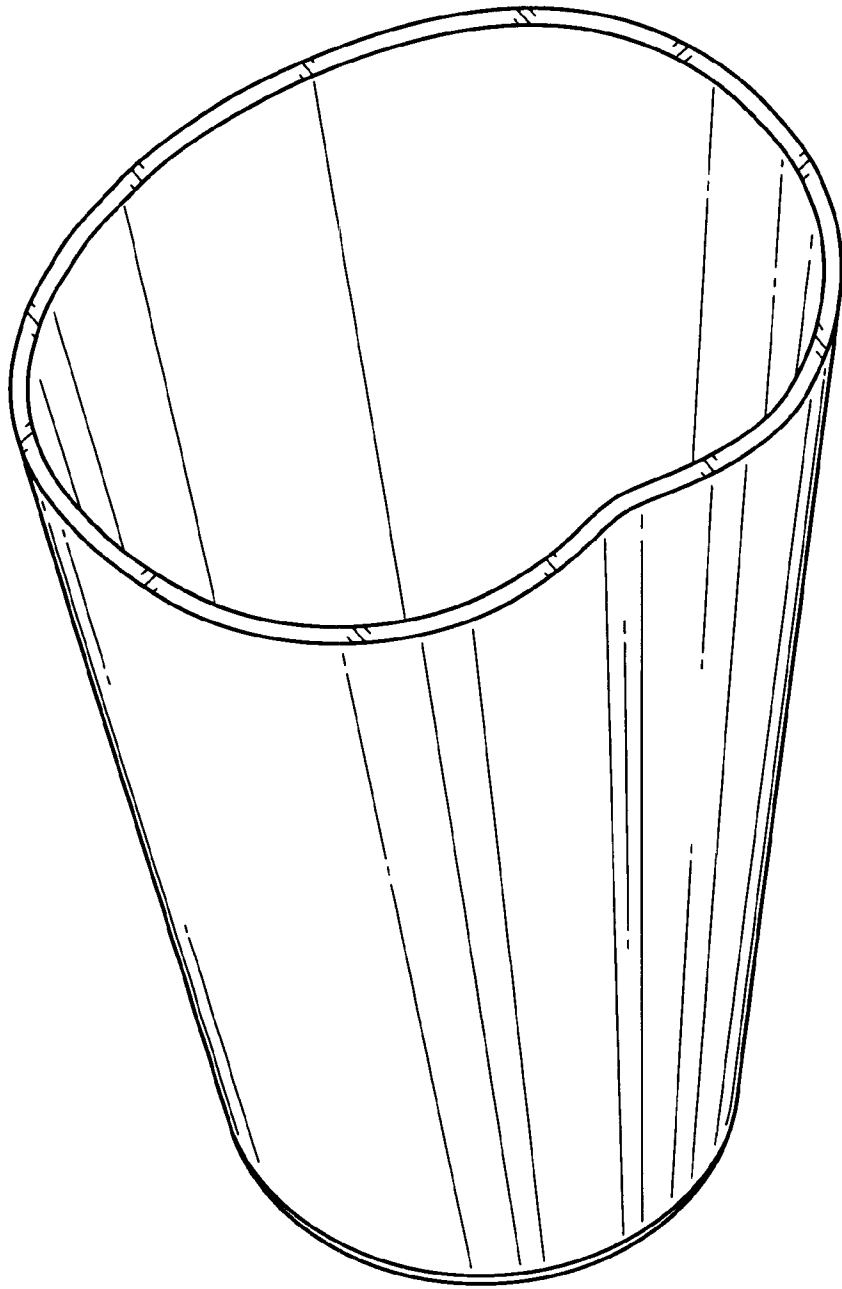


FIG. 1

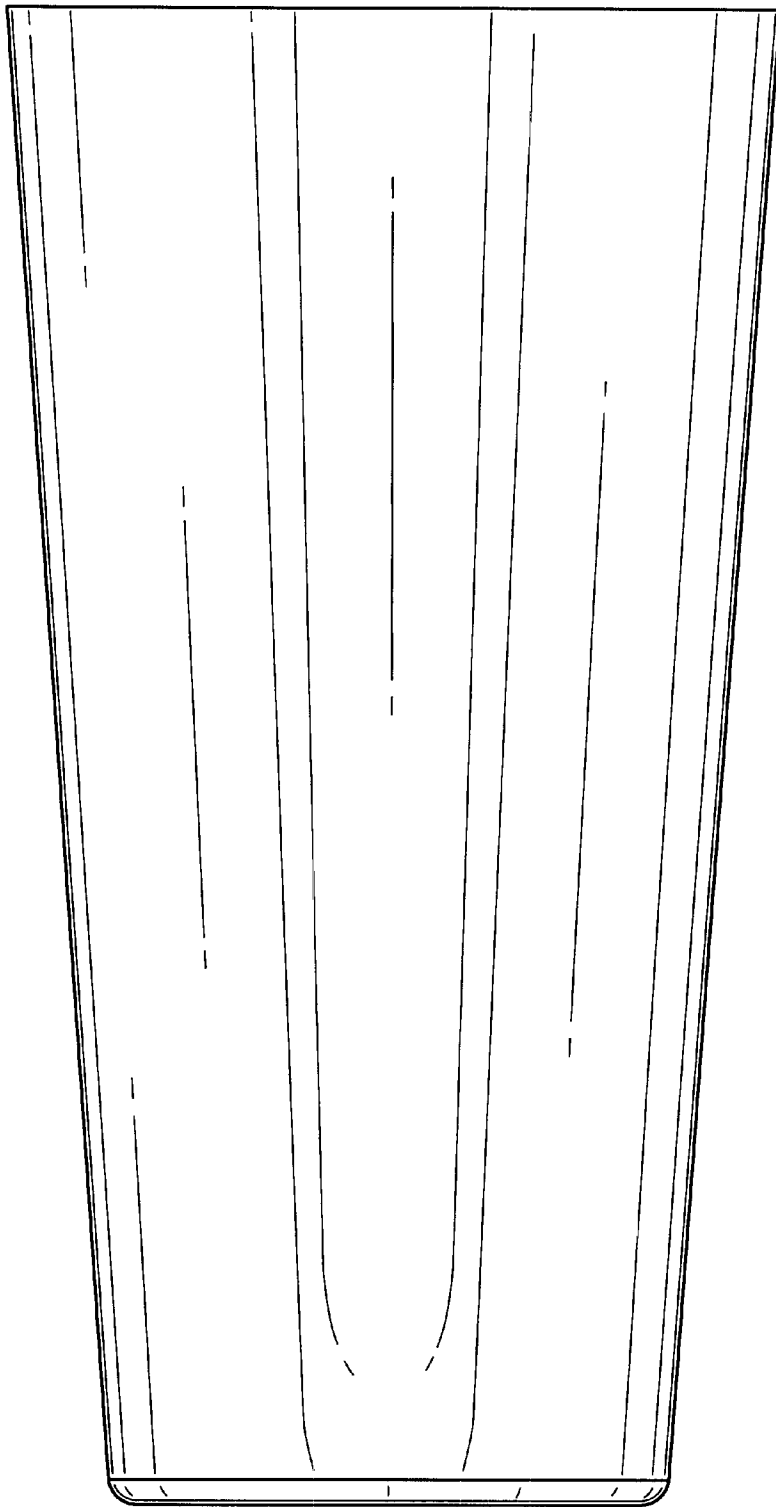


FIG. 2

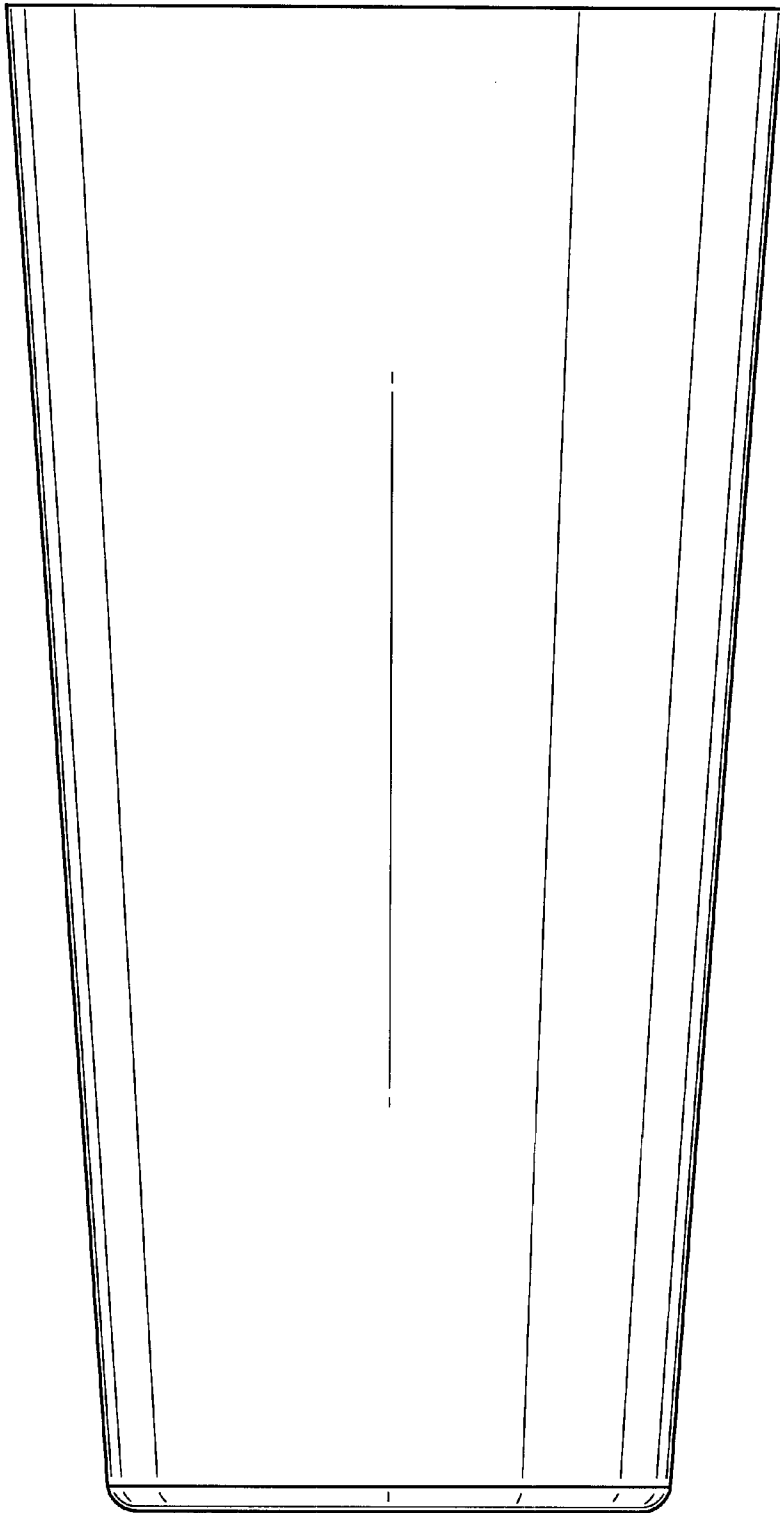


FIG. 3

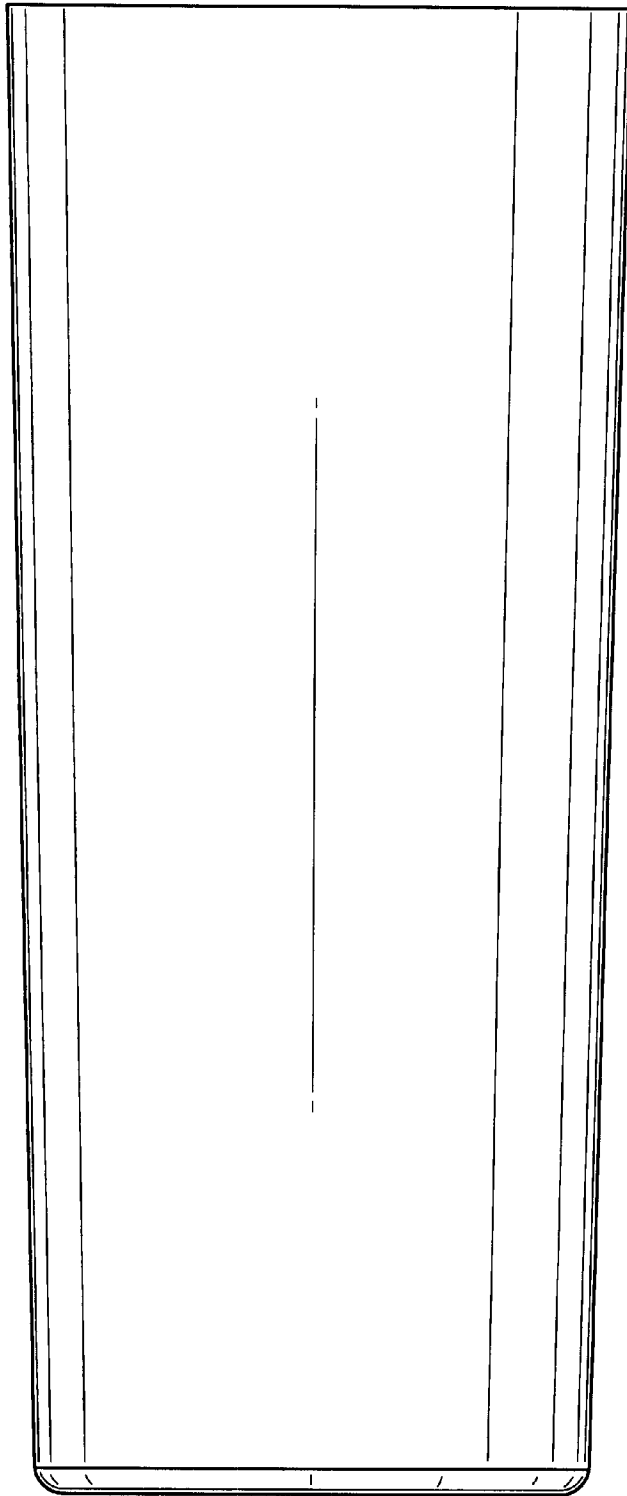


FIG. 4

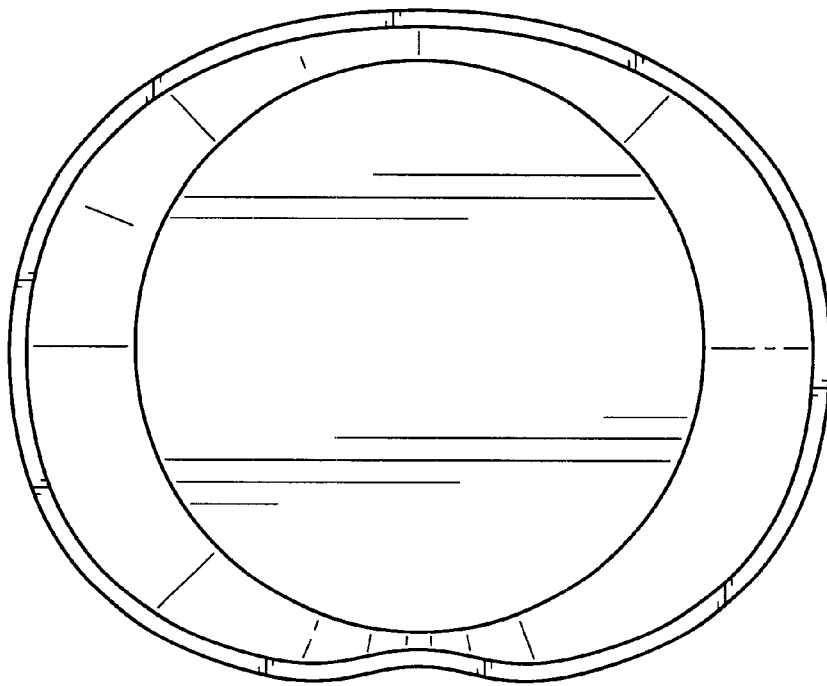


FIG. 5

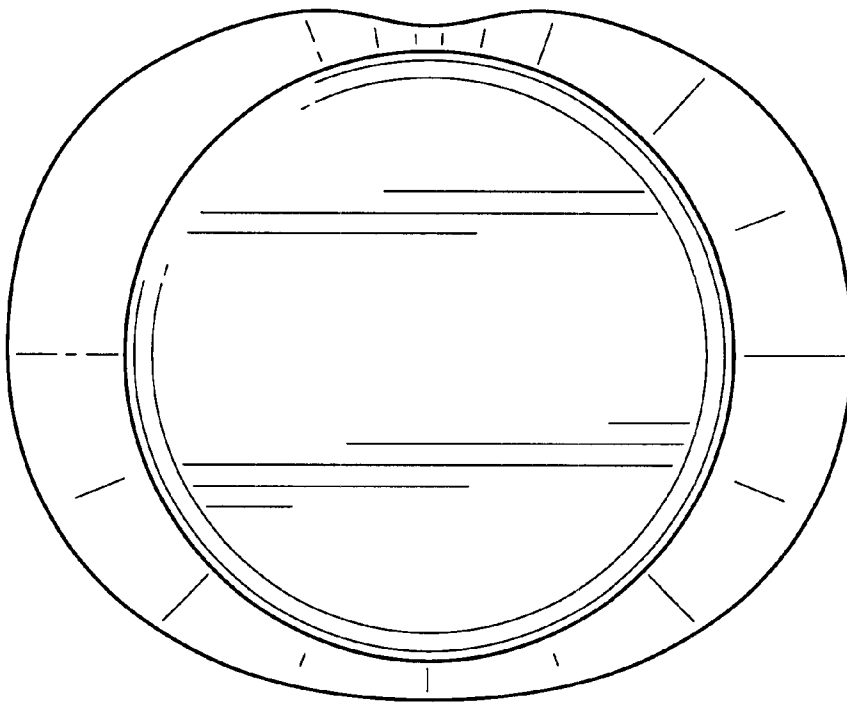


FIG. 6