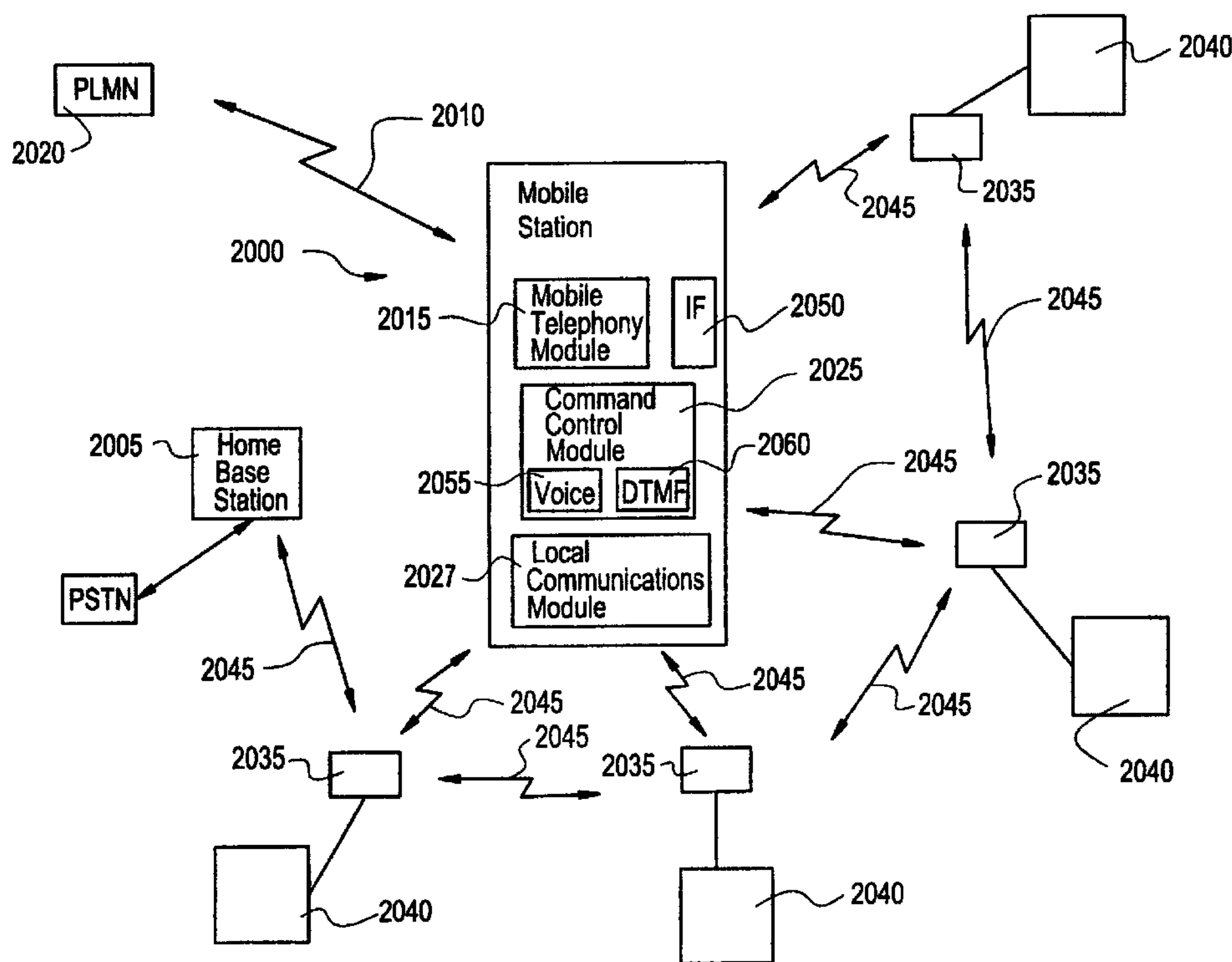




(86) Date de dépôt PCT/PCT Filing Date: 1998/04/28
 (87) Date publication PCT/PCT Publication Date: 1998/11/05
 (45) Date de délivrance/Issue Date: 2005/11/15
 (85) Entrée phase nationale/National Entry: 1999/10/27
 (86) N° demande PCT/PCT Application No.: SE 1998/000779
 (87) N° publication PCT/PCT Publication No.: 1998/049818
 (30) Priorité/Priority: 1997/04/29 (08/845,938) US

(51) Cl.Int.⁷/Int.Cl.⁷ H04M 1/72, H04N 5/50, H04Q 7/32, H04Q 9/00
 (72) Inventeurs/Inventors:
 RUNDQWIST, ANNA-KARIN, SE;
 PETTERSSON, MATS, SE;
 GARDENFORS, TORBJORN, SE
 (73) Propriétaire/Owner:
 TELEFONAKTIEBOLAGET LM ERICSSON, SE
 (74) Agent: MARKS & CLERK

(54) Titre : TELEPHONE MOBILE ET TERMINAL DE TELECOMMANDE COMBINES
 (54) Title: COMBINED MOBILE TELEPHONE AND REMOTE CONTROL TERMINAL



(57) **Abrégé/Abstract:**

A system enabling a mobile station (2000) to provide combined mobile telephony and remote control terminal functionalities is disclosed. A mobile station (2000) includes functionalities enabling the mobile station to communicate with a Public Land Mobile Network (2020). Furthermore, command (2025) and communication and local communications (2027) functionalities enable the mobile station (2000) to remotely control a variety of peripheral devices (2040) through user provided inputs.



PCT

WORLD INTELLECTUAL PROPERTY ORGANIZATION
International Bureau

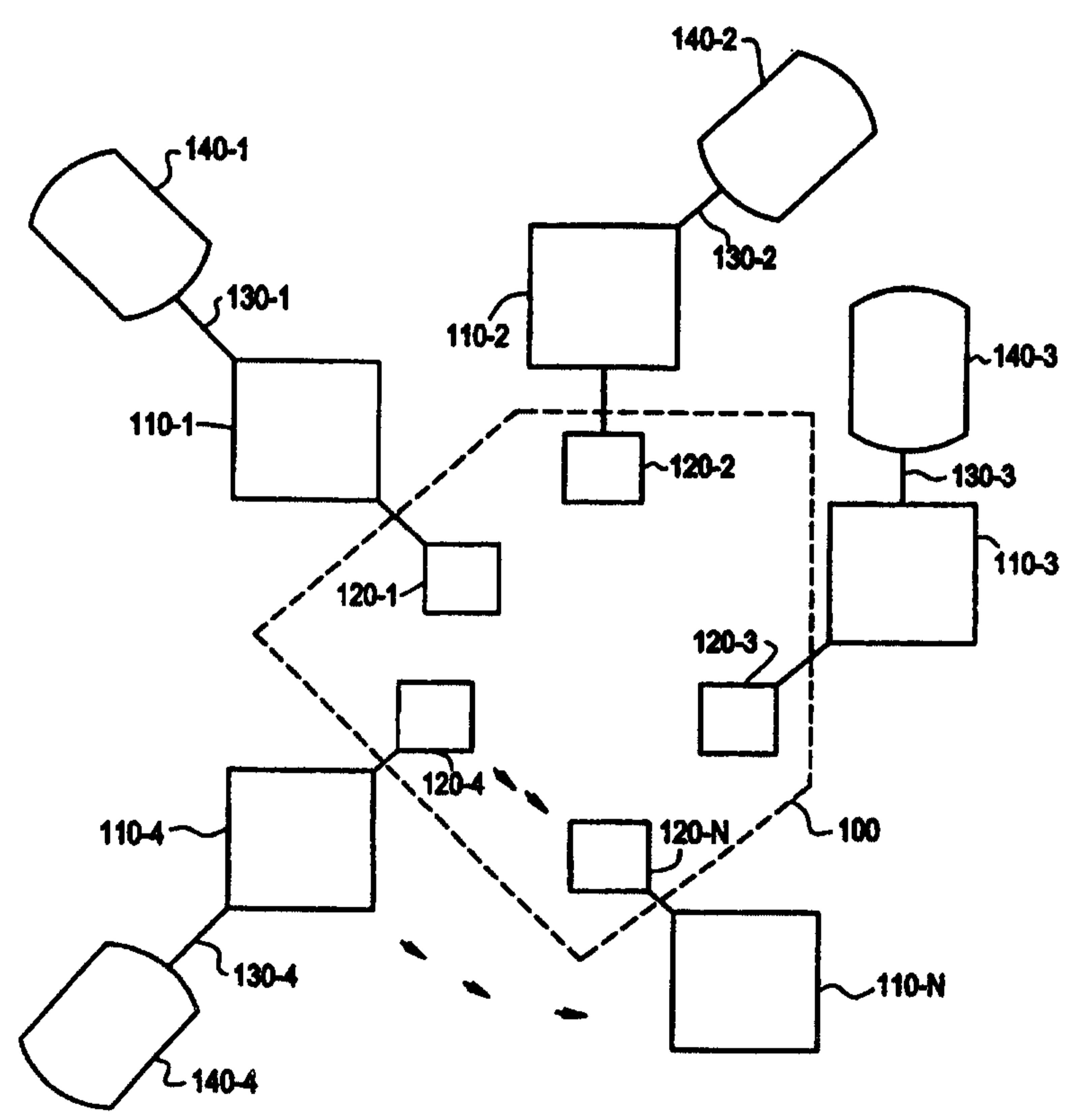
INTERNATIONAL APPLICATION PUBLISHED UNDER THE PATENT COOPERATION TREATY (PCT)

<p>(51) International Patent Classification ⁶ : H04M 1/72</p>	<p>A1</p>	<p>(11) International Publication Number: WO 98/49818 (43) International Publication Date: 5 November 1998 (05.11.98)</p>
<p>(21) International Application Number: PCT/SE98/00779 (22) International Filing Date: 28 April 1998 (28.04.98) (30) Priority Data: 08/845,938 29 April 1997 (29.04.97) US (71) Applicant: TELEFONAKTIEBOLAGET LM ERICSSON (publ) [SE/SE]; S-126 25 Stockholm (SE). (72) Inventors: RUNDQWIST, Anna-Karin; Flygelvägen 103, S-224 72 Lund (SE). PETTERSSON, Mats; Sofiavägen 5B, S-222 41 Lund (SE). GÄRDENFORS, Torbjörn; Kornettsgatan 24A, S-211 50 Malmö (SE). (74) Agent: ERICSSON MOBILE COMMUNICATIONS AB; Patent Unit, S-164 80 Stockholm (SE).</p>	<p>(81) Designated States: AL, AM, AT, AU, AZ, BA, BB, BG, BR, BY, CA, CH, CN, CU, CZ, DE, DK, EE, ES, FI, GB, GE, GH, GM, GW, HU, ID, IL, IS, JP, KE, KG, KP, KR, KZ, LC, LK, LR, LS, LT, LU, LV, MD, MG, MK, MN, MW, MX, NO, NZ, PL, PT, RO, RU, SD, SE, SG, SI, SK, SL, TJ, TM, TR, TT, UA, UG, UZ, VN, YU, ZW, ARIPO patent (GH, GM, KE, LS, MW, SD, SZ, UG, ZW), Eurasian patent (AM, AZ, BY, KG, KZ, MD, RU, TJ, TM), European patent (AT, BE, CH, CY, DE, DK, ES, FI, FR, GB, GR, IE, IT, LU, MC, NL, PT, SE), OAPI patent (BF, BJ, CF, CG, CI, CM, GA, GN, ML, MR, NE, SN, TD, TG).</p> <p>Published With international search report. Before the expiration of the time limit for amending the claims and to be republished in the event of the receipt of amendments.</p>	

(54) Title: COMBINED MOBILE TELEPHONE AND REMOTE CONTROL TERMINAL

(57) Abstract

A system enabling a mobile station (2000) to provide combined mobile telephony and remote control terminal functionalities is disclosed. A mobile station (2000) includes functionalities enabling the mobile station to communicate with a Public Land Mobile Network (2020). Furthermore, command (2025) and communication and local communications (2027) functionalities enable the mobile station (2000) to remotely control a variety of peripheral devices (2040) through user provided inputs.



-1-

COMBINED MOBILE TELEPHONE AND REMOTE CONTROL TERMINAL**BACKGROUND OF THE INVENTION****Technical Field of the Invention**

The present invention relates to communication systems and, more particularly, to a mobile phone providing both mobile telephony and remote control functions.

5 Description of Related Art

Recent advances in wireless telecommunications have been multifaceted, resulting in a myriad of new products and services. In the mobile cellular telecommunications area, some of the new services include both private services usually provided within a home or business environment for private mobile subscribers and public services provided through a public land mobile network for public mobile subscribers. Both private and public mobile service may be provided

10

-2-

on a cellular basis, with mobile subscribers being allowed to roam between the geographic coverage areas of different base stations of each of the private and public systems.

Private mobile service is typically provided through a private mobile telephony network that is implemented using a private cordless system standard such as the Cordless Telephone Standard 2 (CT-2). Private telephony systems may be provided as standalone networks or connected to a fixed telephony network.

Public mobile service is, on the other hand, generally provided through a cellular telecommunications network using one of the common cellular transmission standards such as the Advanced Mobile Phone Service (AMPS) System Standard, or the Global System for Mobile Communication (GSM) Standard.

Another direction in which there have been related developments is the area of cordless telephony products. Cordless telephone communications systems that are connected to a public switching telephone system (PSTN) have been known for some time. Cordless telephones operate utilizing a portable telephone unit in communication with a base station through a pair of radio frequency (RF) transceivers in the portable unit and in the base station. When the device is operable and a call is placed, dial tone and voice signals are transmitted from the RF transmitter in the portable unit to the RF receiver in the base station, and then over the PSTN lines in the ordinary manner. Similarly, when a call is received, the voice signals are transmitted from the RF transmitter in the base station to the RF receiver in the portable unit.

Although cordless telephones are convenient in that they allow telephone communication without the impaired-mobility imposed by a cord, they still require, like conventional corded telephones, usage of at least one hand to hold the portable unit for operating. Recent attempts that address the limitations of conventional cordless telephones have resulted in headset-like portable units that allow hands-free operation. In U.S. Pat. No. 4,882,745 to Silver, a "cordless headset telephone" is described in which only a single earphone is included to cover one ear while leaving the other ear open. Another related device is disclosed in U.S. Pat. No. 4,741,030 to Wilson, wherein a cordless headset is provided with a dial board positioned near the microphone for easy viewing by the user. As in the Silver device, the Wilson device

- 3 -

does not disclose the use of two earphones and a volume control to enhance sound quality and to block external ambient noise. Another cordless telephone headset using only a single earphone is disclosed in U.S. Pat. No. 4,484,029 to Kennedy.

5 A recent improvement over these above-mentioned cordless telephone headsets is described in U.S. Pat. No. 5,113,428, wherein the portable unit is totally contained in a headset having its own push button key pad, related control buttons, a rechargeable battery, an RF transceiver and two earphones with volume control.

10 It is readily apparent that a logical progression of these multifaceted advances is towards increased inter-operability and modularized integration of multiple physical devices so as to enhance human operator convenience. For example, it would be an advantage to have a mobile station equipped with a modular unit that is capable of communicating with a cordless phone base station so that it can operate as an extension of the cordless phone to effectuate landline communication. It would be of
15 further advantage to have a wireless headset that is capable of communicating on a single protocol with both the mobile station and cordless phone base station. In such a system, the human operator has the benefit of hands-free operation of multiple telecommunications devices without having to interchange different modular units.

20 Additionally, it can be readily appreciated that it would be of significant advantage to inter-operably integrate an electronic data terminal into such a local area communication system (LACS) whereby the utility of the terminal is further maximized. It is apparent that such an electronic data terminal can be a computer, which in turn may be standalone or in a Local Area Network, or a telefax, a pager, a
25

-4-

printer, or a hand-held data organizer. Further, integrating a conventional phone answering machine that is operable to play back an out-going greeting or a recorded caller message and to record an incoming message, into the LACS will undoubtedly enhance operator convenience and the use of the device. The method and apparatus
5 of the present invention and various components thereof provide such advantages.

Additional benefit could be realized by providing the mobile station with dual functionalities such that it is able to provide normal telephony functions and act as a remote control unit for a variety of peripheral devices accessible through some type of local area communication system or related communication system. In this manner,
10 an individual may utilize the multifunction mobile telephone to perform a variety of functionalities.

SUMMARY OF THE INVENTION

The present invention overcomes the foregoing and other problems with a
15 mobile telephone station providing combined mobile telephony and remote control terminal functionalities. The mobile station include a transceiver portion that provide normal mobile telephony functionalities enabling a user to interact with a Public Land Mobile Network. One or more peripheral devices are associated with the mobile station and are remotely actuatable in response to a set of predetermined control
20 commands. A control command module within the mobile station generates the variety of predetermined control commands to which the peripheral devices are responsive. The control commands are transmitted to the peripheral device via a wireless communication link that is set up between the peripheral device and the control command module. The mobile station may alternatively only include means
25 for generating and communicating the control command to the peripheral devices without the transceiver providing mobile telephony functionality. Also, the mobile station may consist of a hands-free headset.

4a

More specifically, the present invention provides a system providing mobile telephony and remote control of a plurality of remotely actuable peripheral devices comprising a mobile telephone, comprising a transceiver for forming wireless communications links, a mobile telephony module for providing mobile telephony functionalities through the transceiver, a control command module for generating control commands to the plurality of remotely actuable peripheral devices in response to a user input, a local communications module for generating a wireless communications link between the plurality of peripheral devices and the control command module to enable transmission of the control commands to the plurality of peripheral devices, and a user interface enabling user selection between the mobile telephony module and the control command module, and a local communications network enabling communications between the mobile telephone and the plurality of remotely actuable peripheral devices comprising a plurality of local interface modules wherein each one of the remotely actuable peripheral devices includes at least one of the plurality of local interface modules, each of the plurality of local interface modules configured to form the wireless communications link with the local communications module and to form wireless communications links with each of the local interface modules in the local communications network.

The present invention also provides a system providing remote control functionalities, comprising a plurality of peripheral devices remotely actuable in response to control commands, a mobile telephone, comprising a wireless headset configuration for placement onto a head of a user, a transceiver for forming wireless communications links, a mobile telephony module for providing telephony functionalities through the transceiver, a control command module within the wireless headset for generating the control commands to the plurality of remotely actuable peripheral devices in response to a user input a local communications module for generating a wireless communications link between the plurality peripheral devices and the control command module to enable transmission of the control commands to the plurality of peripheral device, and a user interface enabling user selection between the mobile telephone module and the control command module, and a local communications network enabling communications between the mobile telephone and the plurality of remotely actuable peripheral devices comprising a plurality of local interface modules wherein each one of the remotely actuable peripheral devices includes at least one of the plurality of local interface modules, and wherein local interface modules located in a first area are configured to form only the wireless communications link with the local communications module, and local interface modules located in a second area are adapted to form the wireless communication link with the local communications module and wireless communications links with each local interface module located in the second area.

The control command module may further include one of or both of a speech recognition module enabling user control of the peripheral devices via spoken voice command or a DTMF

-5-

recognition module enabling user control with the peripheral devices via DTMF entries.

BRIEF DESCRIPTION OF THE DRAWINGS

5 A more complete understanding of the method and apparatus of the present invention may be had by reference to the following detailed description when taken in conjunction with the accompanying drawings wherein:

FIGURE 1 is a block diagram of the broad network interconnection of an integrated local area communication system comprising a plurality of communication devices;

10 FIGURE 2 is a block diagram of an integrated local communication system in accordance with a presently preferred exemplary embodiment of the present invention;

FIGURE 3 is a block diagram of the implementation of a local area communication system in accordance with an aspect of a presently preferred exemplary embodiment of the present invention;

15 FIGURE 4 is a block diagram of an implementation of a mobile station providing mobile telephony and remote control functionalities within a local area communications system;

FIGURE 5 is a block diagram of an implementation of a mobile station providing both mobile telephony and remote control functionalities within a communications system using the mobile station as a master controller;

20 FIGURE 6 is a block diagram of a mobile station providing mobile telephony and remote control functionality within a first local area communication system and within a secured communications system using the mobile station as a master controller;

25 FIGURE 7 is a block diagram of the system of FIGURE 5 wherein a hands-free headset is substituted for the mobile station;

FIGURE 8 illustrates a network interconnection of multiple Public Land Mobile Networks (PLMNs) to a Public Switching Telephone Network (PSTN);

FIGURE 9 is a block diagram of a PLMN;

30 FIGURE 10 is a block diagram of a conventional land-line telephone unit;

-6-

FIGURE 11 is a block diagram of a conventional cordless phone base unit;
FIGURE 12 illustrates a block diagram of a conventional wireless headset unit;
FIGURE 13A depicts a block diagram of a presently preferred embodiment of
a local interface module adapted for use with a mobile station in accordance with the
5 present invention;

FIGURE 13B is a block diagram of a presently preferred embodiment of a
home base station or directly-connectable local interface module adapted for use with
a PSTN in accordance with the present invention;

FIGURE 13C is a block diagram of a presently preferred embodiment of a
10 local interface module adapted for use with a serial computer port connector in
accordance with the present invention;

FIGURE 13D is a block diagram of a presently preferred embodiment of a
local interface module adapted for use with an electronic data terminal in accordance
with the present invention;

15 FIGURE 13E is a block diagram of a presently preferred embodiment of a local
interface module adapted for use with a cordless phone base unit associated with a
PSTN in accordance with the present invention;

FIGURE 13F is a block diagram of a presently preferred embodiment of a local
interface module adapted for use with a peripheral device which may be remotely
20 controlled by a mobile station in accordance with the present invention;

FIGURE 14 shows an exemplary decision tree that may be used in accordance
with the present invention to selectably effectuate local wireless communication for
in-coming calls; and

25 FIGURE 15A and FIGURE 15B show an exemplary decision tree that may be
used in accordance with the present invention to selectably effectuate local wireless
communication for call initiation.

DETAILED DESCRIPTION OF THE DRAWINGS

FIGURE 1 depicts the broad network interconnection of an integrated local
area communication system (LACS) according to the present invention, generally
30 denoted by reference numeral 100. The local communication system 100 envisions

-7-

seamless integration of a plurality of electronic communications devices, 110-1 through 110-N, at least one of which may be connected to an external communication network, shown herein by reference numerals 140-1 through 140-4. The connections, 130-1 through 130-4, between the plurality of devices 110-1 through 110-4 and the
5 external communications systems 140-1 through 140-4, may be wireless or wire-line, according to the present invention.

Still referring to FIGURE 1, a plurality of local interface modules, 120-1 through 120-N, are shown as connected to the plurality of devices 110-1 through 110-N. According to a presently preferred exemplary embodiment of the present invention,
10 each of the plurality of local interface modules 120-1 through 120-N is capable of effectuating wireless communication with the other N-1 local interface modules. According to the present invention, the local communication can be voice, video and data, or any combination thereof. Further, the local communication is effectuated upon a single communication protocol involving a local medium which can be electro-
15 magnetic waves such as radio, infra-red, optic spectra or microwaves, or magnetic waves, or wire-line. The local signal may be analog or digital, with any suitable modulation known in the art.

FIGURE 2 illustrates a block diagram of a presently preferred exemplary embodiment of the present invention, generally denoted by reference numeral 200.
20 Reference numeral 210 refers to a radio-enhanced phone interfacing device, coupled to a public switching telephone network (PSTN) 260. In one aspect of the invention, the radio-enhanced phone interfacing device 210 can be simply a known cordless phone base unit capable of short-range wireless communication in a home or office environment.

25 Continuing with FIGURE 2, reference numeral 240 refers to a known mobile station associated with a Public Land Mobile Network (PLMN) 270. Reference numeral 230 refers to an electronic data terminal, as referenced and described hereinabove, that may be associated with a local area network (LAN) 280. It will be understood by the persons of ordinary skill in the art upon reference hereto that there
30 are many known variations and modifications of the electronic data terminal 230. For instance, it can be a computer that is selectably associated within a distributed

-8-

computing environment. Alternatively, it can also be a printer, or a telefax machine, or a pager, or a phone answering machine, or a hand-held data organizer or any other electrical, electronic or mechanical device. It is within the spirit of the present invention that these known variations and modifications of the electronic data terminal
5 230 are capable of being arranged in a local communication network in accordance with the present invention.

Still referring to FIGURE 2, reference numeral 220 refers to a wireless headset, provided in a presently preferred exemplary embodiment to maximize user convenience in effectuating a local communication path. Reference numerals 250-1
10 through 250-4 refer to four local interface modules. The local interface module 250-1 is coupled to the radio-enhanced phone interfacing device 210, the local interface module 250-2 is coupled to the wireless headset 220, the local interface module 250-3 is coupled to the electronic data terminal 230 and the local interface module 250-4 is coupled to the mobile station 240. It will be appreciated by the persons of ordinary
15 skill in the art that although the local interface modules 250-1 through 250-4 are shown as separate functional blocks, they are capable of being integrated structurally into their respective communication devices 210, 220, 230 and 240. Furthermore, the radio-enhanced phone interfacing device 210 may be such that its associated local interface module 250-1 is functionally integrated into its native circuitry as well.
20 Similarly, the wireless headset 220 and the local interface module 250-2 can be, in one aspect of the invention, functionally integrated also.

Referring now to FIGURE 3, therein is shown an implementation of a local area communication system in accordance with an aspect of a presently preferred exemplary embodiment of the present invention. Reference numeral 210 is the radio-enhanced phone interfacing device that is associated with the PSTN 260 for external
25 land-line communication. Reference numeral 261 is the associative path between the PSTN 260 and the radio-enhanced phone interfacing device 210. The communication signals on this path 261 may be analog or digital, and further, it may in a specific embodiment be a T1 phone line, or an Integrated Services Digital Network (ISDN) connection, or a high-capacity Asymmetric Digital Subscriber Line (ADSL). The
30 radio-enhanced phone interfacing device 210, which is shown to have a local antenna

-9-

211 for local communication, may be a cordless phone base unit coupled with a corresponding local interface module (not shown) or a directly-connectable home base station.

5 The mobile station 240 is associated with the PLMN 270 for cellular communication. The cellular path 271 may be effectuated between the mobile station 240 and the PLMN 270 using any one of the common cellular transmission standards such as the Advanced Mobile station Service (AMPS) System standard or the Global System for Mobile Communication (GSM) Standard. The mobile station 240 is equipped with a non-local antenna 242 to facilitate transmission and reception of
10 cellular communication signals between the mobile station 240 and a base station (not shown). In addition, the mobile station 240 is coupled to a local interface module 241 having a local antenna 243 for local communication. The coupling between the mobile station 240 and the local interface module 241 is such that the non-local cellular communication signals over the cellular path 271 are selectably convertible
15 to local communication signals, and vice versa, to be transmitted on a local communication link as will be discussed hereinbelow. The local interface modules 241 also enable communications between peripheral devices 210, 220.

The wireless headset 220 is operable either as a wireless extension to the mobile station 240 via a first local radio communication link 310 or as a hands-free
20 phone unit for communication over the PSTN 260 via a second local radio communication link 320. A third local radio communication link 330 is selectably established between the mobile station 240 and the radio-enhanced phone interfacing device 210 whereby the mobile station 240 is selectably operable as a hands-on phone unit associated with the radio-enhanced phone interfacing device 210 to place a call
25 over the PSTN 260.

Referring now to FIGURE 4, there is illustrated an implementation of a mobile station 2000 providing both mobile telephony and remote control functions via the local area communications system. A radio enhanced phone interface device 2005 which interfaces with the mobile station 2000, such as a home base station, enables
30 communication between the mobile station 2000 and the PSTN for external landline communication. The mobile station 2000 includes a communications link 2010

-10-

enabling communication with an associated Public Land Mobile Network (PLMN) 2020 for cellular communications via mobile telephony functions module 2015. The cellular communications link 2010 may be effectuated between the mobile station 2000 and the PLMN 2020 using any one of the common cellular transmission standards, such as the Advanced Mobile Phone Service (AMPS) system or the Global System for Mobile Communications (GSM).

The mobile station 2000 also includes a command control module 2025 and local communications module 2027 for local control and communications with a plurality of associated local interface modules 2035 associated with various peripheral devices 2040. The command control module 2025 generates instructions for controlling the peripheral devices 2040 in response to user input. The local communications module 2027 forms a local communications link 2045 between the mobile station 2000 and peripheral devices 2040 through local interface modules 2035. The local interface modules 2035 are coupled to the command control module 2025 of the mobile station 2000 via a local communication link 2045 using a communication protocol involving a local medium involving electromagnetic waves such as radio, infrared, optic spectra microwaves, or magnetic waves. The local communications link 2045 may be analog or digital, with any suitable modulation known in the art. The local interface modules 2035 are associated with a variety of peripheral devices 2040 including, but not limited to, a hands-free headset, television, radio, stereo, VCR (video player), personal computer, printer/plotter, home base station, answering machine, light, dimmer switch, thermostat, door, alarm, vibrator, car alarm, car-lock mechanism, garage door, personal alarm, watch phone, refrigerator or freezer. Using the local communications link 2045 each of these devices may be controlled from the mobile station 2000.

In some situations, the remote control and mobile telephony functionalities may work in concert such as with the personal security alarm. A user equipped with a peripheral device 2040 comprising a personal alarm associated with a mobile station 2000 via a local communications link 2045 may actuate a button on the alarm device that transmits a signal to the mobile station via the communications link. This signal causes the mobile station 2000 to automatically contact a prestored number or transmit

-11-

an SMS message to a preselected party via the PLMN communications link 2010. The user could then communicate with a party at the prestored number using the hand-held mobile station 2000 or a hands-free headset.

In an additional example, a mobile station 2000 and wireless vibrator may work in concert to notify a user of a call to the mobile station 2000. When a mobile station is initially turned on, an identification code is transmitted to the vibrator. After this initialization, the vibrator will actuate upon detection of a ring signal from a mobile station 2000 transmitting the correct ID code. This enables a user to carry only the vibrator rather than an entire mobile station 2000 within a local area and separates the vibrating unit from sensitive electronics of the mobile station.

A user enters control commands through a user interface 2050 of the mobile station 2000. The control commands are processed by the command control module 2025 and transmitted to an associated local peripheral device 2040 via the communications link 2045. In one embodiment, the user interface 2050 (and/or the command control module 2025) has associated with it a voice recognition module 2055 enabling user control of the various peripheral devices 2040 through spoken commands. Control of the peripheral devices 2040 may also be effectuated via a dual tone multifrequency (DTMF) recognition module 2060 responsive to DTMF commands keyed in by a user. Additional command formats may also be used to control the peripheral device through some types of command module. Alternatively, the user interface 2050 may include means for initiating commands through the use of buttons, a touch screen, joystick or other type of mechanical controller useful for handicap individuals.

Referring now to FIGURE 5, there is illustrated an alternative implementation of the multifunction mobile station 2000 of the present invention wherein the mobile station is not implemented within a local area communication system. Instead, the mobile station 2000 comprises a master controller of a local communications network. All signals of the local communications link 2045 are controlled through the local communications module 2027. The mobile station 2000 is able to communicate with a PSTN network, PLMN network and a variety of peripheral devices 2040 via local interface modules 2035 associated with each of these items. Each peripheral device

-12-

2040 can communicate directly with the mobile station 2000 via an associated communications link 2045 between the command control module 2025 and the local interface modules 2035 of the peripheral devices. Communications between the peripheral devices 2040 and the PLMN and the PSTN respective, via the local interface module 2035 are not possible in this configuration. All communications must pass through the local communications module 2027 of the mobile station 2000, (i.e., the local interface modules 2035 cannot communicate with each other). The types of peripheral devices 2040 controlled and the manner of control using this configuration are the same as those discussed with respect to FIGURE 4.

10 Referring now to Figure 6, there is illustrated yet another alternative implementation of the multifunction mobile station 2000 of the present invention wherein the mobile station is implemented within a local area communications system and as a master controller of a local communication network. In this situation, in a first area 2067 all signals of a local communications network are controlled through the local communications module 2027 in the mobile station 2000. The mobile station 2000 is a master controller of the local interface modules 2035 and the peripheral devices 2040 may not communicate with each other in the first area. In a second area 2068, within local area communications system, each of the local interface modules 2035 may communicate with each other and with the mobile station 2000. This enables intercommunication among all the peripheral device 2040 and the mobile station 2000. The types of peripheral devices 2040 controlled and the manner of control using this configuration are the same as those discussed with respect to FIGURES 4 and 5.

25 Furthermore, as shown in FIGURE 7, the hand-held mobile station 2000 may be substituted with a hands-free headset 2000a. The headset 2000a would include a command control module 2025 and local communications module 2027 providing a communications link 2045 with the local interface modules 2035 of the peripheral devices 2040 and/or a home base station attached to a PSTN network. The headset 2000a may or may not include a further communications link 2010 with a public land mobile network 2020. Control of the various peripheral devices 2040, such as those discussed previously with respect to FIGURE 3, would occur via the local

-13-

communications link 2045 between the hands-free headset 2000a and peripheral devices 2040.

Referring now to FIGURE 8, reference numeral 410 generally illustrates a possible network interconnection of multiple PLMNs 270A, 270B to PSTN 260, according to an aspect of the presently preferred exemplary embodiment of the present invention. A mobile subscriber (MS) 420 is associated with one of the PLMNs as its Home PLMN 270A. Within each PLMN 270A, 270B, there are multiple mobile switching centers (MSCs) 470A, 470B, servicing the geographical areas covered by the network. The mobile subscriber 420 who is served by its Home PLMN 270A is capable of communicating with other wireless and wire-line terminals by connecting with the PSTN 260 through a Gateway Mobile Switching Center (GMSC) 430A. An access tandem (AT) 440 associated within the PSTN 260 routes the mobile calls generated from the PLMN 270A to wire-line terminals serviced by one of its exchanges within the PSTN 260, or to another PLMN 270B by way of its GMSC 430B. If the mobile subscriber 420 travels outside the coverage area of its Home PLMN 270A and roams into the geographical area covered by an adjacent PLMN 270B, an interexchange handoff occurs between the Home PLMN 270A and the adjacent PLMN 270B whereby telecommunications service continues to be provided to the MS 420 from the adjacent PLMN 270B as a roaming subscriber.

FIGURE 9 is a block diagram of the PLMN 270 including the mobile switching center 470. In addition, the PLMN 270 comprises a Home Location Register (HLR) 480, a Visitor Location Register (VLR) 490 and a number of antenna systems 500-1 through 500-M. The mobile switching center 470 is also generally known in the art as a base station system, and includes a base-station controller 510 and one or more of base-station transceiver stations(BS) 520-1 through 520-L. Each of the base-station transceiver stations is associated with a subgroup of the antenna systems 500-1 through 500-M. In order for the mobile subscriber 420 to be allocated to a home network, an entry in the HLR 480 is made. Whenever the MS 420 is switched on, and possibly at regular intervals thereafter, it will register with the PLMN 270 and give its location area.

-14-

The MSC 470 communicates directly with the HLR 480 and the VLR 490 for subscriber information and transfers calls from one BS to another as the MS 420 travels within the geographical area covered by the PLMN 270. Further, the GMSC 430 acts as a gateway to allow access to other wire-line terminals associated with the PSTN 260 or wireless mobile subscribers associated with other PLMNs.

The establishment of a cellular call within and without the PLMN 270 is typically effectuated via Signaling System No. 7 (SS7) network protocols utilizing network addresses.

Referring now to FIGURE 10, a block diagram of a conventional landline telephone is shown generally at 610. This telephone 610 consists of a cradle 635 and a handset 645. The telephone 610 is connected to the PSTN 260 by a wire-line connection 615 which carry analog or digital telephone signals. It can be readily appreciated that the wire-line connection 615 can be substantially identical to the associative path 261 shown in FIGURE 3 and described hereinabove. The cradle 635 includes Data Access Arrangement (DAA) section 620, key pad 625, and ringer circuit 630. On the other hand, the handset 645 includes speaker 640 and microphone 650. The DAA 620 contains analog filters and other known protection devices required to connect to the PSTN 260. The key pad 625 is used to provide the number to be called to the PSTN 260. Ringer circuit 630 and known associated signaling means are provided to inform the user when there is an incoming call.

FIGURE 11 illustrates a block diagram of a conventional cordless phone base unit, generally shown at 710, which can be operable, for instance, at frequencies close to or within the 46 MHZ to 49 MHZ frequency range. The cordless phone base unit 710, conceptually, is a subminiature cellular system providing at least a signaling channel which transmits outbound signals in a fashion similar to a conventional cellular outbound signaling channel, and receives service requests from a remote hand-held unit 715.

30

-15-

The base unit 710 has a local PSTN line interface 720, a remote unit interface 730 coupled to an antenna 770, a channel switch 740, a tone signal source 750 generating tone signals such as a ringing tone signal, and a controller 760. The channel switch 740 selectively makes a channel between the local PSTN line interface 720 and the remote unit interface 730, and a channel between the tone signal source 750 and the remote unit interface 730. It is known in the art that the local PSTN line interface 720 may comprise a hook circuit (not shown) performing an open/close control of a loop, a call detection circuit (not shown) for detecting a call signal and a sender (not shown) for sending dialing push-button signals. It is also well known in the art that the remote unit interface 730 comprises a voice-band processing circuit (not shown), a mixer (not shown), a radio transceiver (not shown) coupled to the antenna 770. The controller 760 controls the local PSTN line interface 720, the channel switch 740, and the remote unit interface 730. Referring now to FIGURE 12, reference numeral 810 generally shows a block diagram of a wireless headset according to an aspect of the present invention. An antenna 820, operable to receive and transmit local communication signals which may be effectuated using either standard wireless communication protocols or a proprietary protocol, is electrically connected to a radio transceiver 830. As is well known in the art, the functionality of the radio transceiver 830 may be implemented in numerous known ways, with attendant electronic circuitry for tuning etc.

Continuing with FIGURE 12, the signal output from the radio transceiver 830 is then fed into a baseband modulator/demodulator block 840 which either extracts the information signal from the local carrier radio wave or modulates the local carrier radio wave using the information signal. The in-coming information signal is then fed into a speaker 880 via a driver/amplifier block 850. It is well known in the art that the speaker 880 and the driver/amplifier block 850, in physical implementation, may take a variety of known forms. The out-going information signal is generated by a microphone 870 which is amplified by the driver/amplifier block 850. The amplified out-going information signal is then modulated with a local carrier radio wave for local transmission over a local medium. A controller block 860 is preferably provided which is in circuit communication with the radio transceiver 830, the baseband

-16-

modulator/demodulator 840 and the driver/amplifier 850, in order to supervise the bidirectional transfer of the information signals. In one aspect of the present invention, the controller block 860 may comprise a microprocessor, a plurality of control switches, memory and/or hardwired digital logic. In yet another aspect of the present invention, the implementation of the wireless headset may include a single housing with its own push button key pad and related control buttons, and a portable power source such as a rechargeable battery. In an additional aspect, the wireless headset may include two earphones, a swing-out microphone, flexibly mounted to the housing, a volume control for enhanced realistic binaural sound, and a supplementary head strap for securing the unit to the user's head. Further, the antenna 820 may preferably be disposed within the swing-out arm provided for the microphone 870, although in still another aspect of the invention, it may be coupled to one of the earphones such that it is extendable from the housing of the earphone. Moreover, in lieu of a conventional on/off switch, there may preferably be provided a voice-activated mechanism to facilitate connection/disconnection of a local communication link with the headset. Additionally, the earphones may preferably be formed of a resilient rubber or plastic material to securely engage the user's ear and minimize the reception of external background noise. Alternatively, the earphones may be cupped cushions for foam cushions similar to high fidelity earphones in order to further reduce ambient background noise. Furthermore, it should be understood upon reference hereto that the aesthetic aspects of the wireless headset may in turn give rise to certain design features as well.

FIGURE 13A is a block diagram of a presently preferred exemplary embodiment of a local interface module adapted for use with the mobile station 240 (not shown) that is associated with the PLMN 270 (not shown). FIGURE 13B is a block diagram of a presently preferred exemplary embodiment of a local interface module adapted as a directly-connectable home base station associated with the PSTN 260. FIGURE 13C is a block diagram of a presently preferred exemplary embodiment of a local interface module adapted for use with a serial computer port connector. FIGURE 13D is a block diagram of a presently preferred exemplary embodiment of a local interface module adapted for use with the electronic data terminal 230.

-17-

FIGURE 13E is a block diagram of a presently preferred exemplary embodiment of a local interface module adapted for use with the cordless phone base unit 210 associated with the PSTN 260.

Referring now specifically to the local interface modules, 905-A to 905-F of
5 FIGS. 13A to 13F, respectively, it can be readily appreciated that according to a presently preferred exemplary embodiment of the present invention, the local interface modules are substantially identical to one another, and to a great extent, are similar to the wireless headset, shown in FIGURE 12. As described hereinabove, the antenna 820 is operable to receive and transmit local communication signals which may be
10 effectuated using either standard wireless communication protocols or a proprietary protocol, on a single local communication medium which can be an electro-magnetic wave, an infra-red wave, a radio wave, a microwave, a magnetic wave, an optic wave or even a wire-line connection. The modulation and demodulation of the communication signal is achieved by the baseband modulator/demodulator 830 which
15 is coupled to an interface circuitry block, 910-A through 910-F. The interface circuitry block 910-A effectuates appropriate conversion of communication signals between the local interface module 905-A and a system connector 920 coupled to the mobile station 240(not shown). The interface circuitry block 910-B effectuates appropriate conversion of communication signals between the directly-connectable local interface
20 module 905-B (or, home base station, as has been described hereinabove) and the PSTN 260. The interface circuitry block 910-C effectuates appropriate conversion of communication signals between the local interface module 905-C and a serial port connector 930. In one aspect of the present invention, the serial port connector 930 may preferably be an RS-232 type connector. Alternatively, the interface circuitry
25 block 910-C may be of PCMCIA-Standard-compatible, as described in a co-assigned pending U.S. Patent Serial Number 5,628,055. The interface circuitry block 910-D effectuates appropriate conversion of communication signals between the local interface module 905-D and the electronic data terminal 935. The interface circuitry block 910-E effectuates appropriate conversion of communication signals between the

-18-

local interface module 905-E and the cordless phone base unit 210 that is associated with the PSTN 260.

According to a presently preferred embodiment of the present invention, each of the local interface modules 905-A to 905-F may preferably be disposed within the housing of the communication device (not shown) with which it is to interface. Alternatively, the local interface module may also be disposed in a separate housing such that it forms a pluggable unit to be received in a module port in the communication device. As mentioned hereinabove, the controller module 860 in FIGURES 12A to 12F is substantially similar to the controller module 860 in FIGURE 11.

FIGURES 14, 15A and 15B show two flowcharts illustrating an exemplary decision tree that may be used according to the teachings of the present invention in order to effectuate local wireless communication among at least a radio-enhanced phone interface device, a mobile station and a wireless headset. Since maximization of user convenience and flexibility is a desired object of the present invention, different decision trees may be employed to suit different conditions of operation.

Referring now specifically to FIGURE 14, therein is shown a flowchart for selectably effectuating local wireless communication links for call reception. Steps 1005 and 1020 are decision blocks to determine if the incoming call is a PSTN call or if it is a cellular call over the PLMN. If the call is a PSTN call, then the user needs to determine if the mobile station or the headset is to be used to function as the call terminating device. This step is provided in the decision block 1010. If the mobile station is present within the geographic area of coverage provided for the radio transceiver unit of the local interface module attached to the radio-enhanced phone interface device and the user selects to use the mobile station to receive the PSTN call, the user takes the MS path 1011. Upon making that determination, the user can selectably establish a wireless local communication link between the mobile station and the radio-enhanced phone interface device as shown at 1015. On the other hand, if the mobile station is out of range for use with the radio-enhanced phone interface device, or if the user desires to use the wireless headset to receive the incoming PSTN call, the user takes the Headset path 1013 to selectably establish in step 1017 a local wireless communication link between the wireless headset and the radio-enhanced

-19-

phone interface device. Further, if the wireless headset is out of range, or if the user does not desire to use the wireless headset, then the user may proceed as in step 1016 to receive the PSTN call by using the conventional wireless, or corded, handset by taking the path shown at 1012.

5 If the incoming call is a cellular call, as determined by step 1020, then the user has a choice of using the mobile station in a conventional manner to receive that call, shown in step 1035, or establish a wireless local communication link between the mobile station and the wireless headset, provided they are within a suitable range from each other, as shown in step 1040.

10 Referring now to FIGURES 15A and 15B, therein is shown an exemplary decision tree for initiating a call according to the teachings of an aspect of the present invention. Decision blocks 1105 and 1125 are employed to determine whether the outgoing call is to be transmitted over the PLMN or the PSTN. If the outgoing call is a PSTN call, the user takes the YES path shown at 1104. After this step, the user has
15 the choice of call initiation by using a wireless headset with keypads, or by using a mobile station as shown in the decision block 1110. If the user desires to use the mobile station and if the mobile station is within the local range of the radio-enhanced phone interface device, the user may by taking the MS path 1113 selectably establish the local communication link between the mobile station and the radio-enhanced
20 phone interface device as shown in 1121. If the user desires, on the other hand, to use the headset by taking the Headset path 1111, subsequent steps of the decision tree are dependent on whether the wireless headset is equipped with its own key pad necessary for remote operation. This condition is tested in the decision block 1115. If the determination is NO, the user takes the path 1116 to initiate the PSTN call using the
25 key pads associated with the radio-enhanced phone interfacing device as shown in step 1117. Afterwards, the user can return via path 1118 to using the wireless headset as in step 1119 which is also reached if the user takes the YES path 1114 from the decision block 1115. Alternatively, if neither the mobile station nor the wireless headset is selected by the user, then call initiation over the PSTN will proceed by using
30 a conventional handset, if provided with the radio-enhanced phone interface device, shown in step 1120.

-20-

Similarly, if the outgoing call is a cellular call as determined in 1125, the user then has the choice of using either the headset, or the mobile station. If either the headset is not in a suitable range, or if the headset is not equipped with a key pad, then the user initiates the cellular call using the mobile station as shown in step 1165 which
5 is reached via either 1141 or 1136. After initiating the cellular call using the mobile station, the user has the option of returning to using the headset via a return path 1172, or continue using the mobile station as shown in 1175. Also, by taking the YES step 1142 from the decision block 1140, the user may selectably establish a local communication link between the headset and the mobile station as shown in 1160.

10 Although presently preferred exemplary embodiments of the method and apparatus of the present invention have been illustrated in the accompanying Drawings and described in the foregoing Detailed Description, it will be understood that the invention is not limited to the embodiments disclosed, but is capable of numerous rearrangements, modifications and substitutions without departing from the spirit of
15 the invention as set forth and defined by the following claims. For example, it will be readily appreciated that the local communication paths may also comprise infra-red (IR) or microwave or magnetic wave links and the corresponding receivers/transmitters will be used in lieu of radio transceivers. Additionally, the term
20 "radio transceiver" as used herein comprises appropriate radio control logic of the type necessary to constitute a radio device that is capable of communicating using a wireless communication standard such as DAMPS, GSM, DECT, etc. The transceiver may include, in addition to a transmitter and receiver, data modem circuitry, when the communications device is used for data transmission. Further, both local and non-local
25 (that is, disposed between the plurality of communications devices and their respective external communications networks) communications signals may be analog or digital, and may comprise voice, video and data. Accordingly, it will be readily appreciated by the persons of ordinary skill in the art upon reference hereto that the exemplary modifications and substitutions mentioned hereinabove do not depart from the spirit of the present invention, directed to a local area communication system (LACS)
30 capable of effectuating a local communication path among a plurality of communications devices using a single local communication medium.

The embodiments of the invention in which an exclusive property or privilege is claimed are defined as follows:

1. A system providing mobile telephony and remote control of a plurality of remotely actuable peripheral devices comprising:
 - a mobile telephone, comprising:
 - a transceiver for forming wireless communications links;
 - a mobile telephony module for providing mobile telephony functionalities through the transceiver;
 - a control command module for generating control commands to the plurality of remotely actuable peripheral devices in response to a user input;
 - a local communications module for generating a wireless communications link between the plurality of peripheral devices and the control command module to enable transmission of the control commands to the plurality of peripheral devices; and
 - a user interface enabling user selection between the mobile telephony module and the control command module; and
 - a local communications network enabling communications between the mobile telephone and the plurality of remotely actuable peripheral devices comprising:
 - a plurality of local interface modules wherein each one of the remotely actuable peripheral devices includes at least one of the plurality of local interface modules, each of the plurality of local interface modules configured to form the wireless communications link with the local communications module and to form wireless communications links with each of the local interface modules in the local communications network.
2. The system of claim 1, wherein the control command module further includes a speech recognition module enabling the recognition of voice commands.
3. The system of claim 1 or 2, wherein the control command module further includes a DTMF module enabling the recognition of DTMF commands.
4. The system of claim 1, 2 or 3, wherein the transceiver comprises a mobile radio-telephone station.

5. The system of claim 1, 2 or 3, wherein the transceiver comprises a public switch telephone network telephone station.
6. The system of claim 1, 2 or 3, wherein the transceiver comprises a wireless headset.
7. The system of any one of claims 1 to 6, wherein the peripheral device comprises a television.
8. The system of any one of claims 1 to 7, wherein the peripheral device comprises a radio.
9. The system of any one of claims 1 to 8, wherein the peripheral device comprises a stereo.
10. The system of any one of claims 1 to 9, wherein the peripheral device comprises a video player.
11. The system of any one of claims 1 to 10, wherein the peripheral device comprises a personal computer.
12. The system of any one of claims 1 to 11, wherein the peripheral device comprises a printer/plotter.
13. The system of any one of claims 1 to 12, wherein the peripheral device comprises a home base station.
14. The system of any one of claims 1 to 13, wherein the peripheral device comprises a answering machine.
15. The system of any one of claims 1 to 14, wherein the peripheral device comprises a light.

16. The system of any one of claims 1 to 15, wherein the peripheral device comprises a dimmer switch.
17. The system of any one of claims 1 to 16, wherein the peripheral device comprises a thermostat.
18. The system of any one of claims 1 to 17, wherein the peripheral device comprises a door.
19. The system of any one of claims 1 to 18, wherein the peripheral device comprises a alarm.
20. The system of any one of claims 1 to 19, wherein the peripheral device comprises a vibrator.
21. The system of claim 20, wherein the vibrator communicates within a local area to other peripheral devices via a local communications link.
22. The system of claim 21, wherein the vibrator is actuated by the control command module in response to a ringing signal generated by the mobile telephone receiving a call from the public land mobile network and a unique identification code from the mobile telephone with which the vibrator is located.
23. The system of claim 20, wherein the vibrator communicates within a local area only with the mobile telephone.
24. The system of any one of claims 1 to 23, wherein the peripheral device comprises a car alarm.
25. The system of any one of claims 1 to 24, wherein the peripheral device comprises a car lock mechanism.
26. The system of any one of claims 1 to 25, wherein the peripheral device comprises a garage door.

27. The system of any one of claims 1 to 26, wherein the peripheral device comprises a personal alarm.

28. The system of claim 27, wherein activation of the personal alarm initiates transmission of an SMS message to a predetermined number.

29. The system of claim 27, wherein activation of the personal alarm activates an outgoing call to a predetermined number.

30. The system of any one of claims 1 to 29, wherein the peripheral device comprises a watch-phone.

31. The system of any one of claims 1 to 30, wherein the peripheral device comprises a refrigerator.

32. The system of any one of claims 1 to 31, wherein the peripheral device comprises a freezer.

33. The system of any one of claims 1 to 32, wherein the control command module generates predetermined control commands for a plurality of peripheral devices within a local area.

34. A system providing remote control functionalities, comprising:
a plurality of peripheral devices remotely actuatable in response to control commands;
a mobile telephone, comprising:
 a wireless headset configuration for placement onto a head of a user;
 a transceiver for forming wireless communications links;
 a mobile telephony module for providing telephony functionalities through the transceiver;
 a control command module within the wireless headset for generating the control commands to the plurality of remotely actuatable peripheral devices in response to a user input;

a local communications module for generating a wireless communications link between the plurality peripheral devices and the control command module to enable transmission of the control commands to the plurality of peripheral device; and

a user interface enabling user selection between the mobile telephone module and the control command module; and

a local communications network enabling communications between the mobile telephone and the plurality of remotely actuatable peripheral devices comprising:

a plurality of local interface modules wherein each one of the remotely actuatable peripheral devices includes at least one of the plurality of local interface modules, and wherein local interface modules located in a first area are configured to form only the wireless communications link with the local communications module, and local interface modules located in a second area are adapted to form the wireless communication link with the local communications module and wireless communications links with each local interface module located in the second area.

35. The system of claim 34, wherein the control command module further includes a speech recognition module enabling recognition of voice commands.

36. The system of claim 34 or 35, wherein the control command module further includes a DTMF module enabling the recognition of DTMF commands.

37. The system of claim 34, 35 or 36, wherein the local communications module enables communication only between the wireless headset and the peripheral device in a first area and communications by the peripheral devices with the wireless headset and any other peripheral device in a second area.

38. The system of any one of claims 34 to 37, wherein the control command module generates predetermined control commands for a plurality of peripheral devices within a local area.

FIG. 1

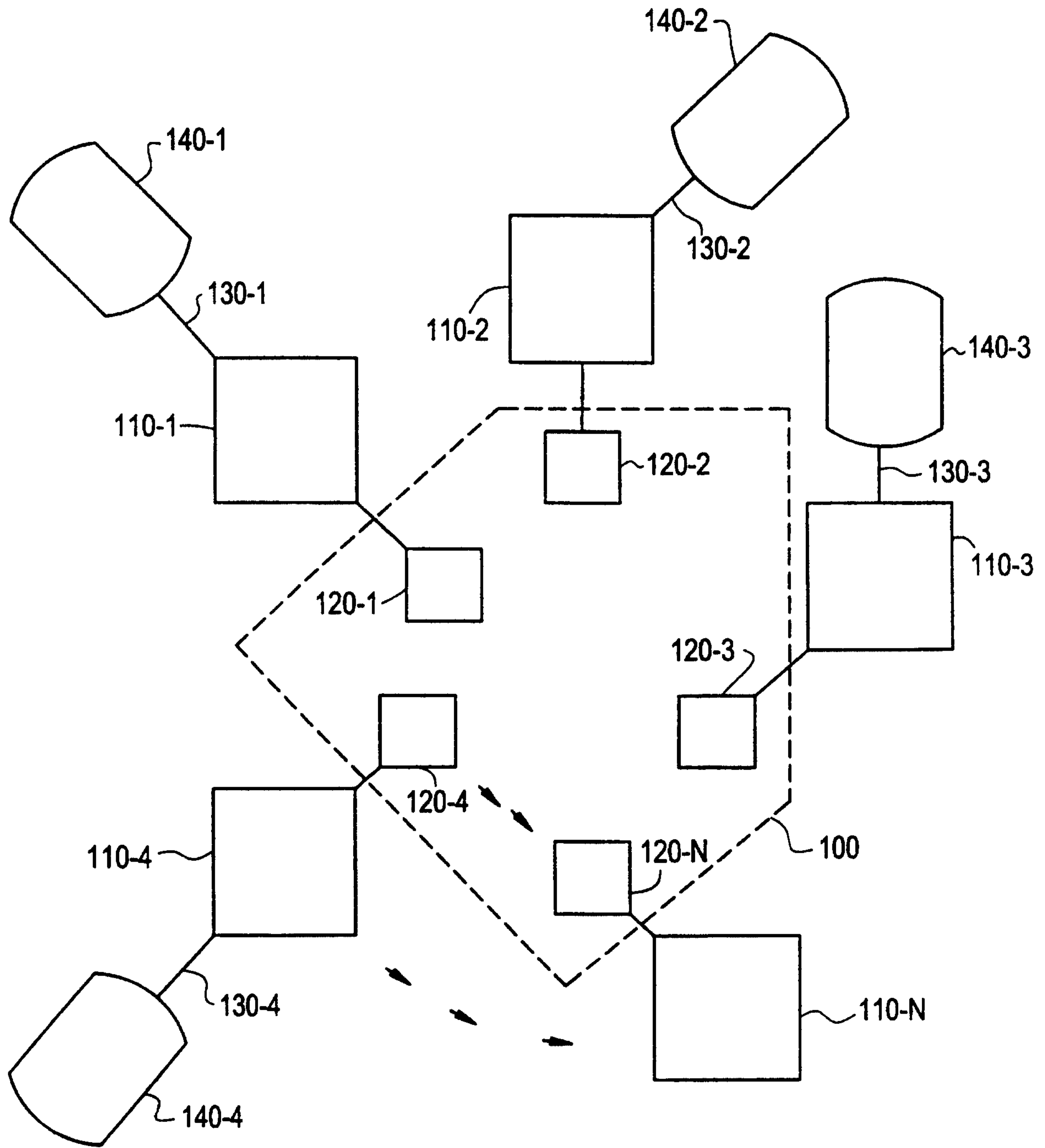


FIG. 2

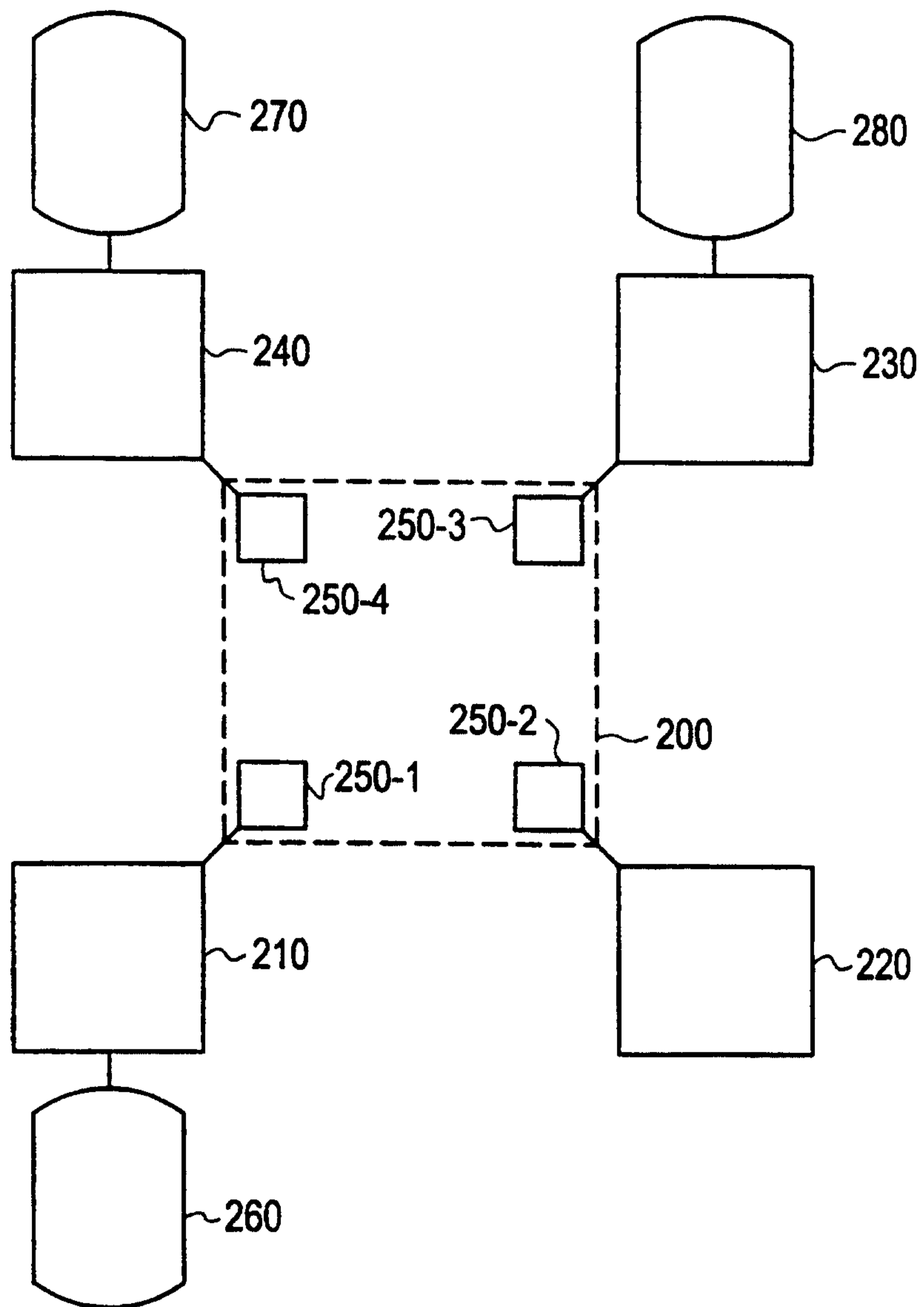


FIG. 3

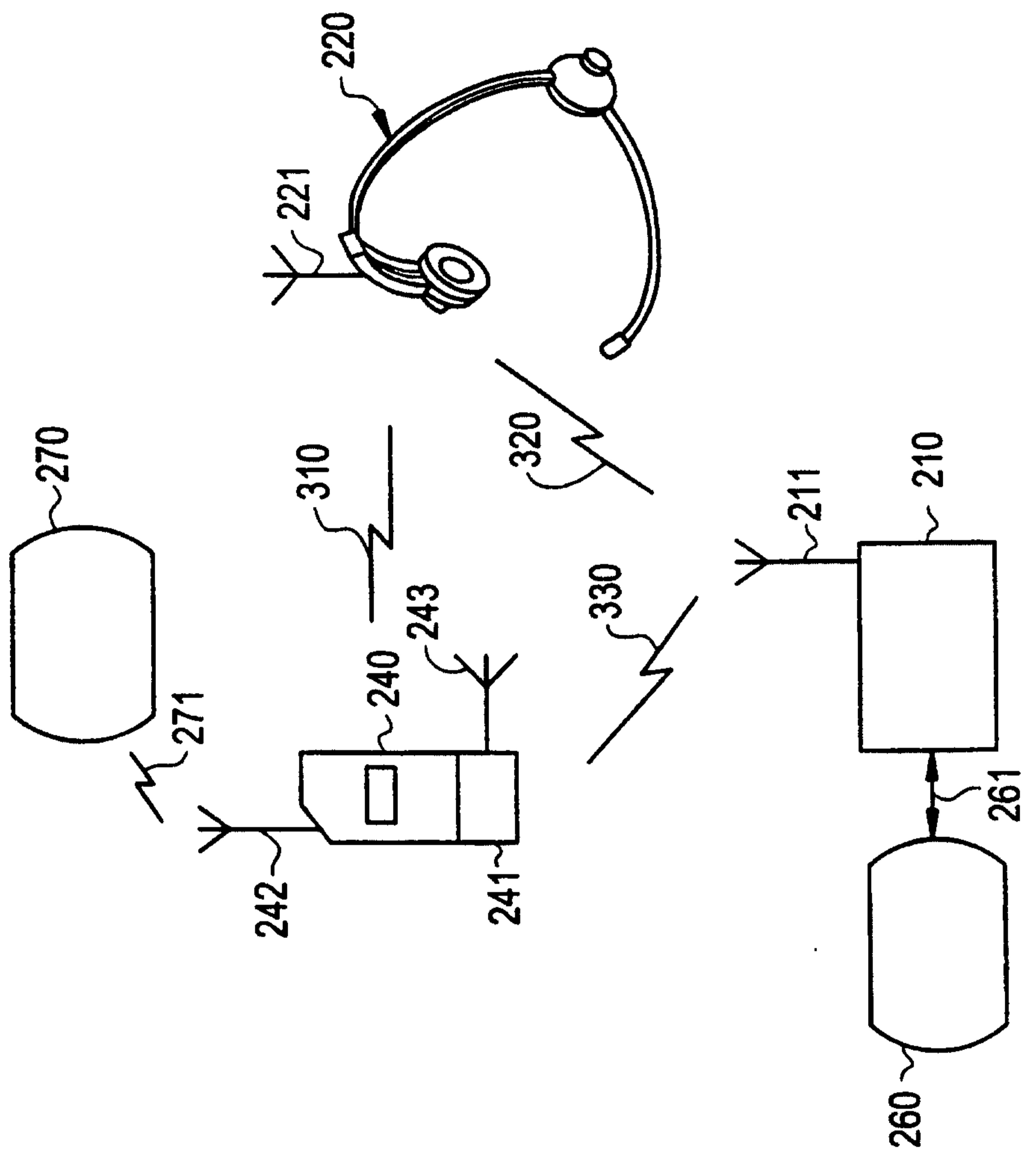


FIG. 4

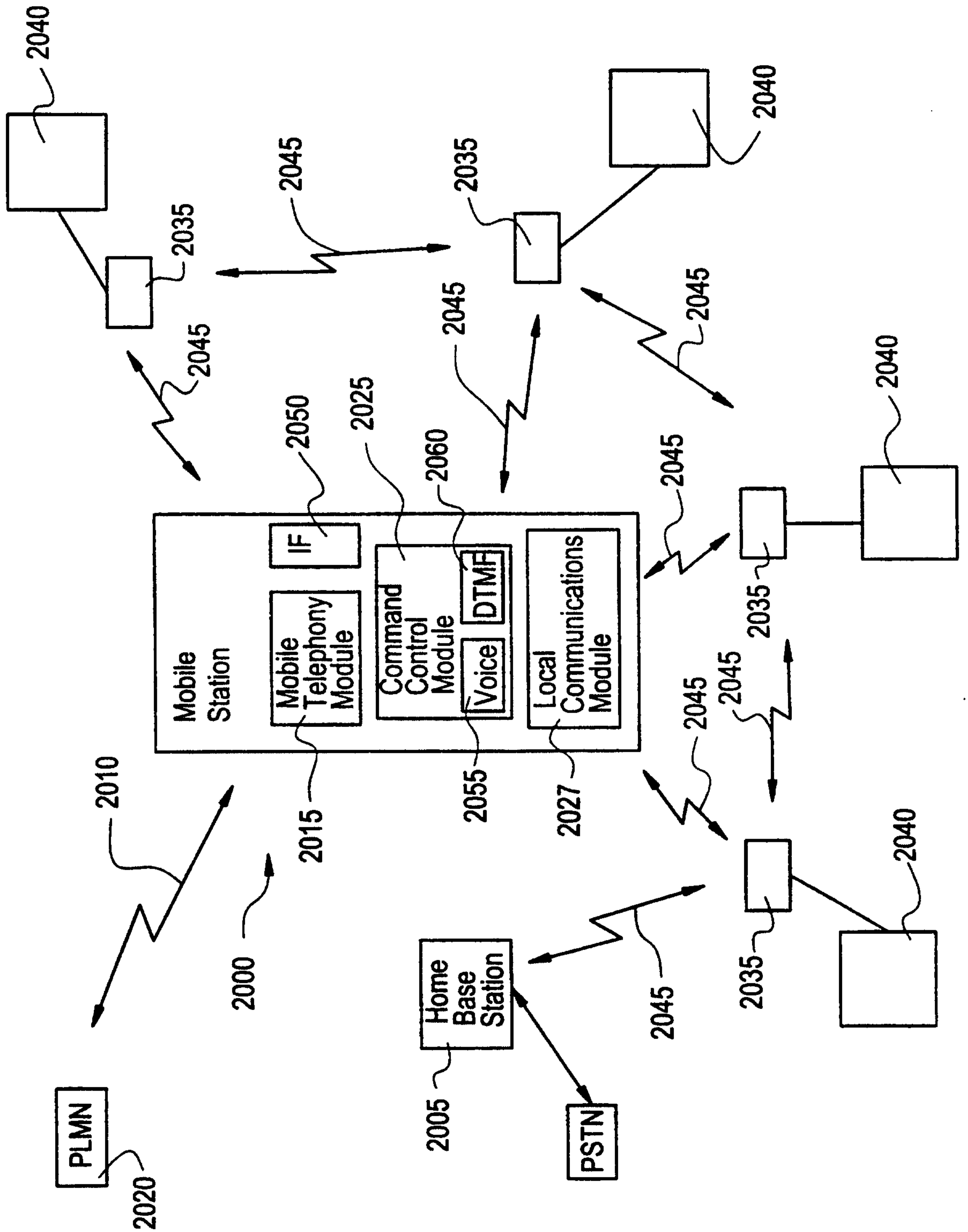
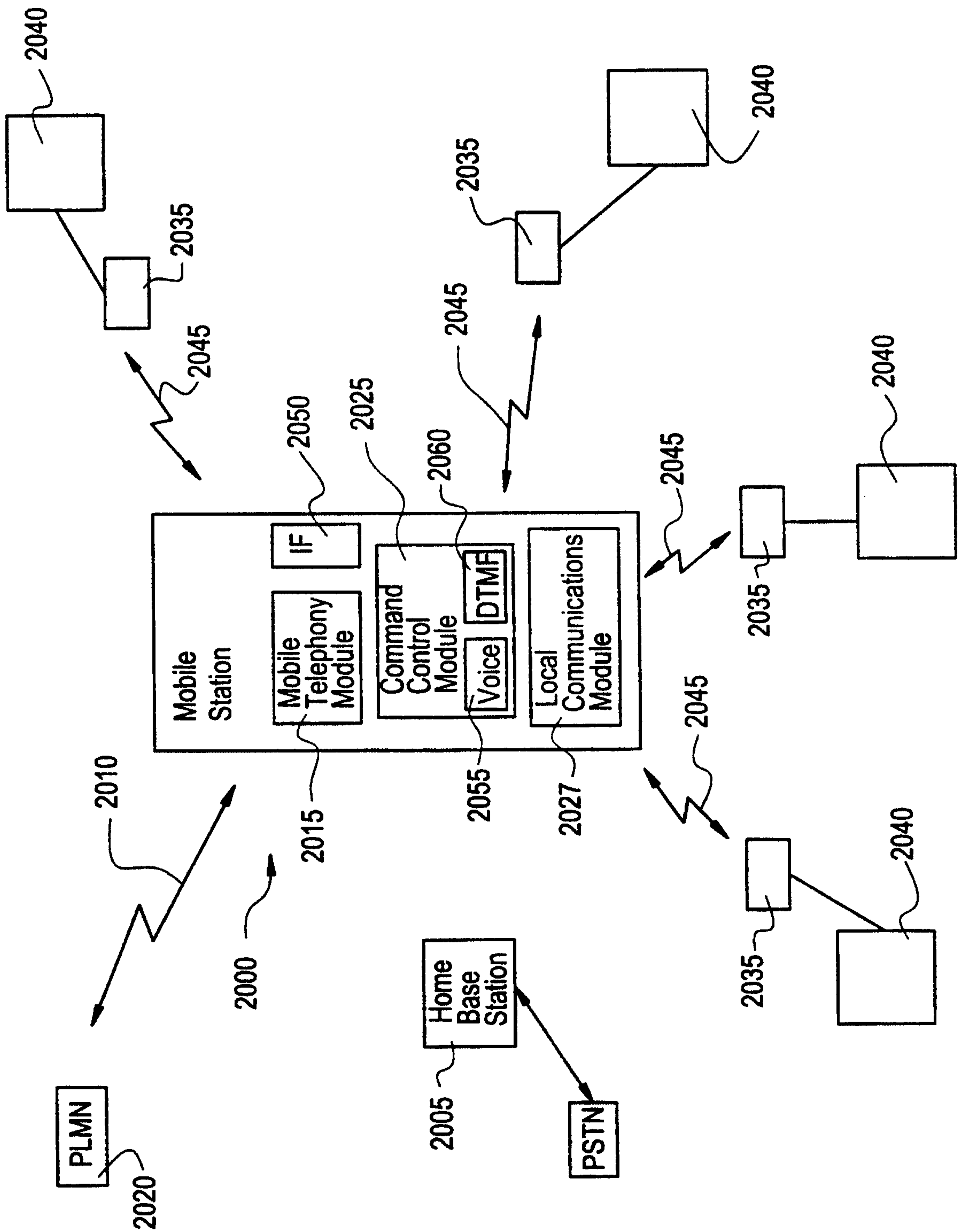


FIG. 5



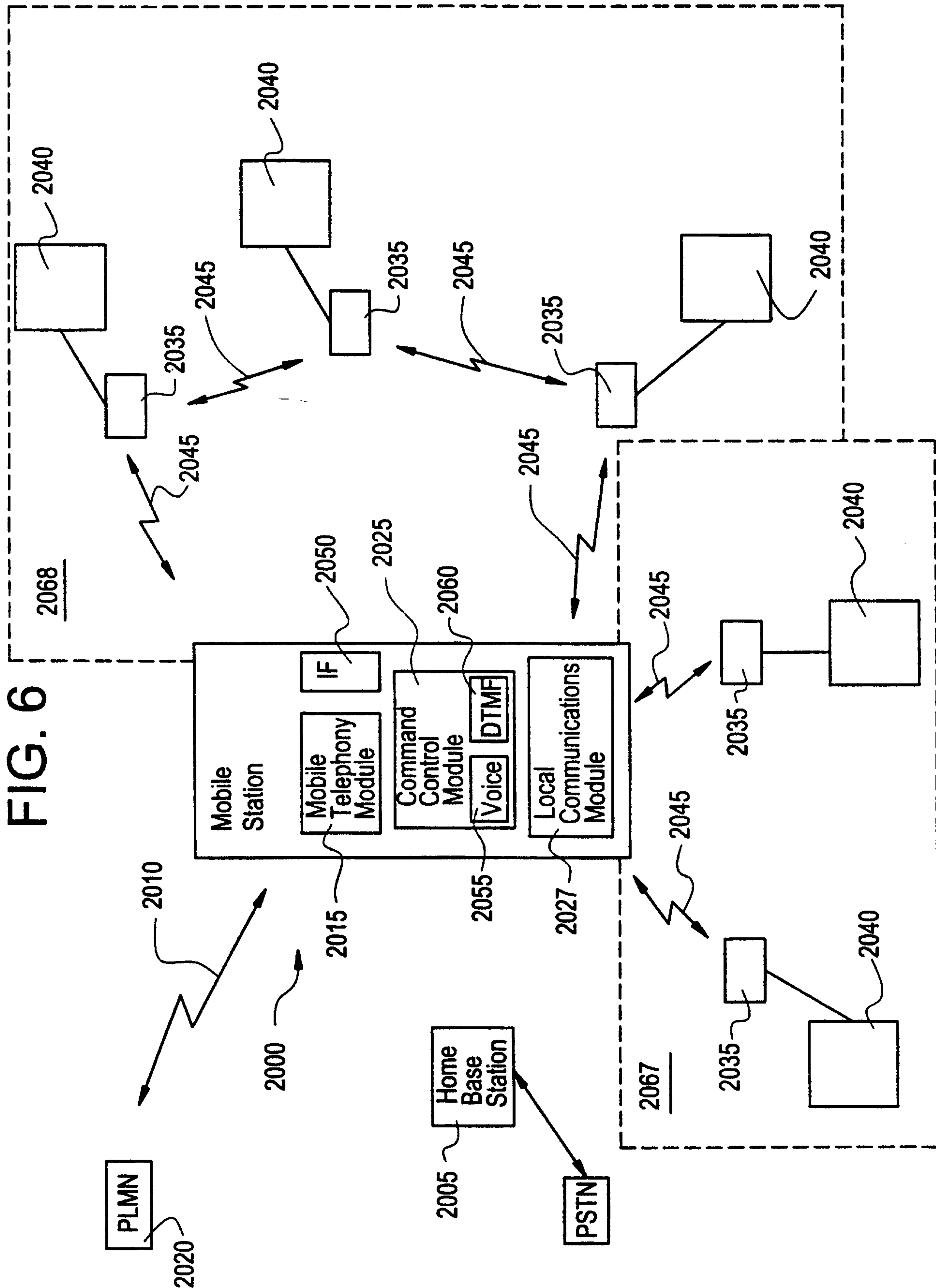


FIG. 6

FIG. 7

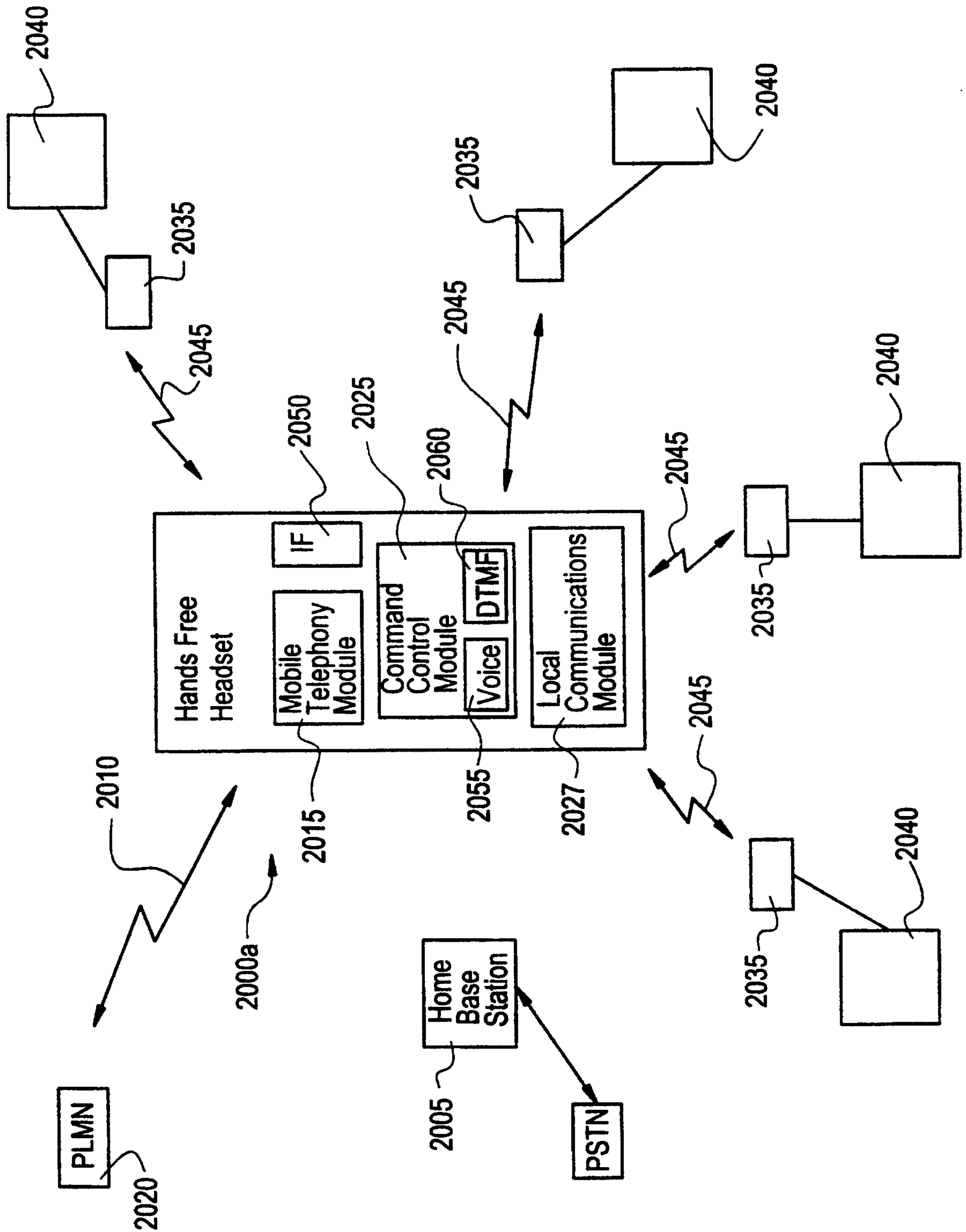


FIG. 8

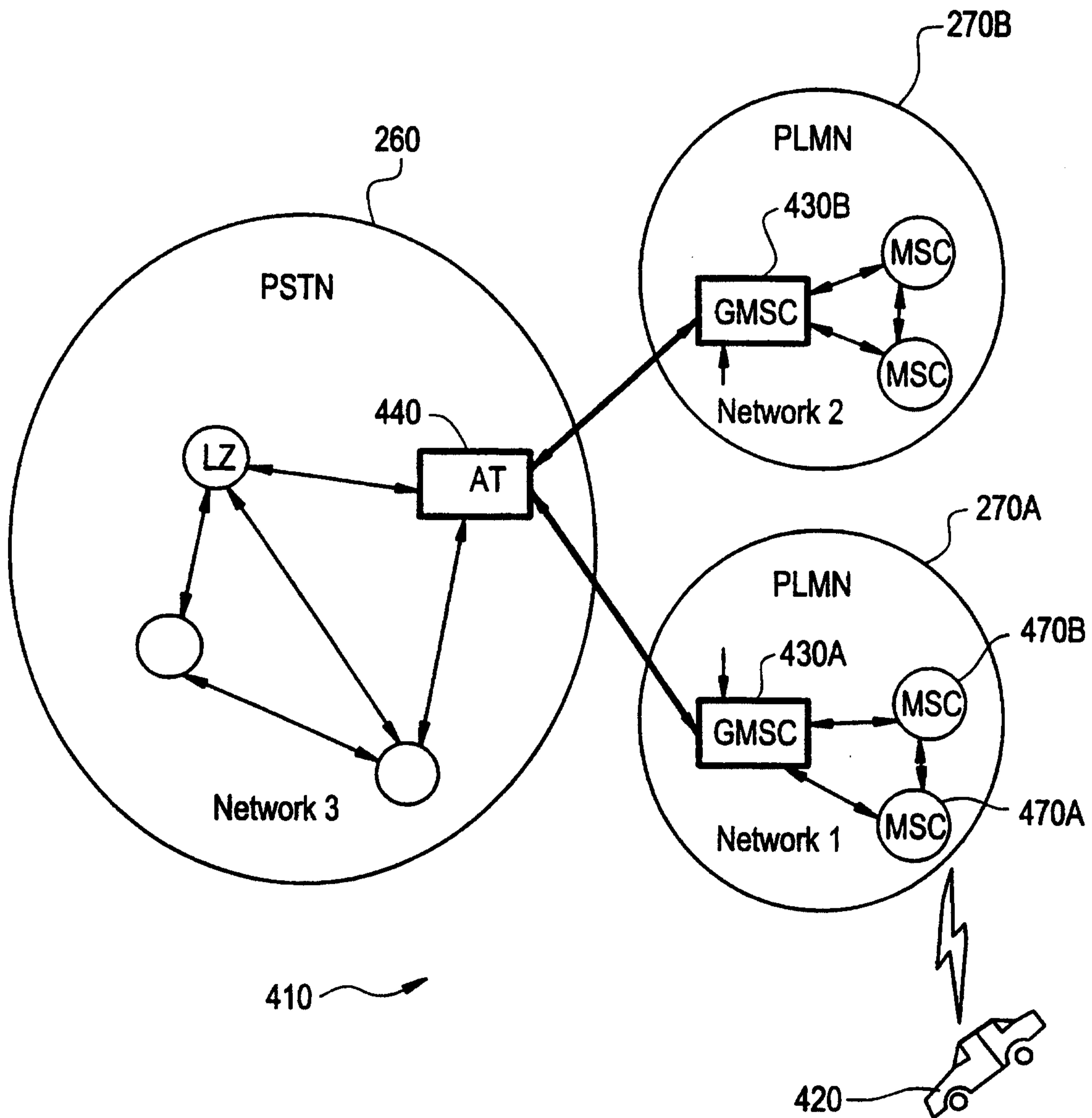
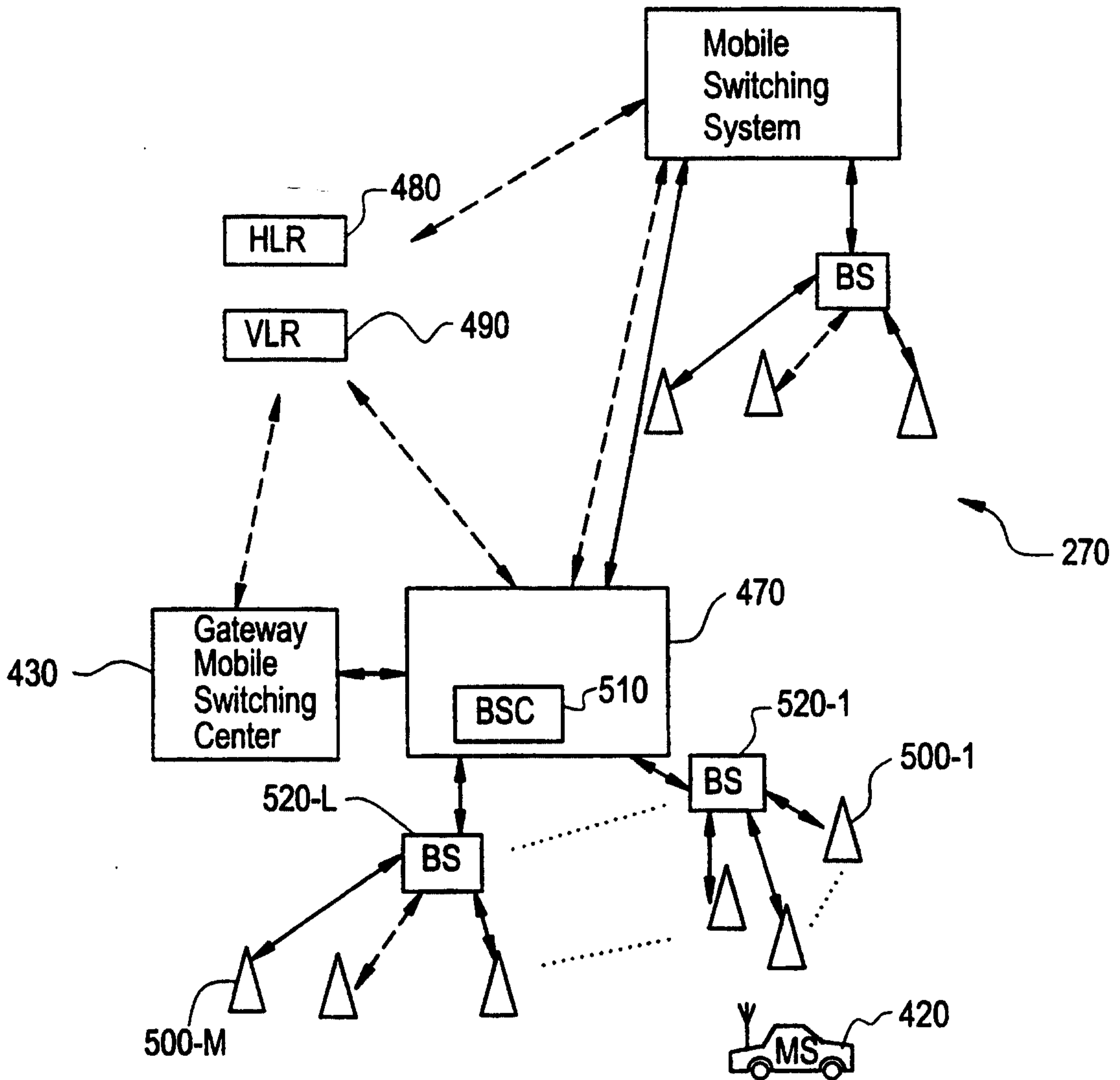
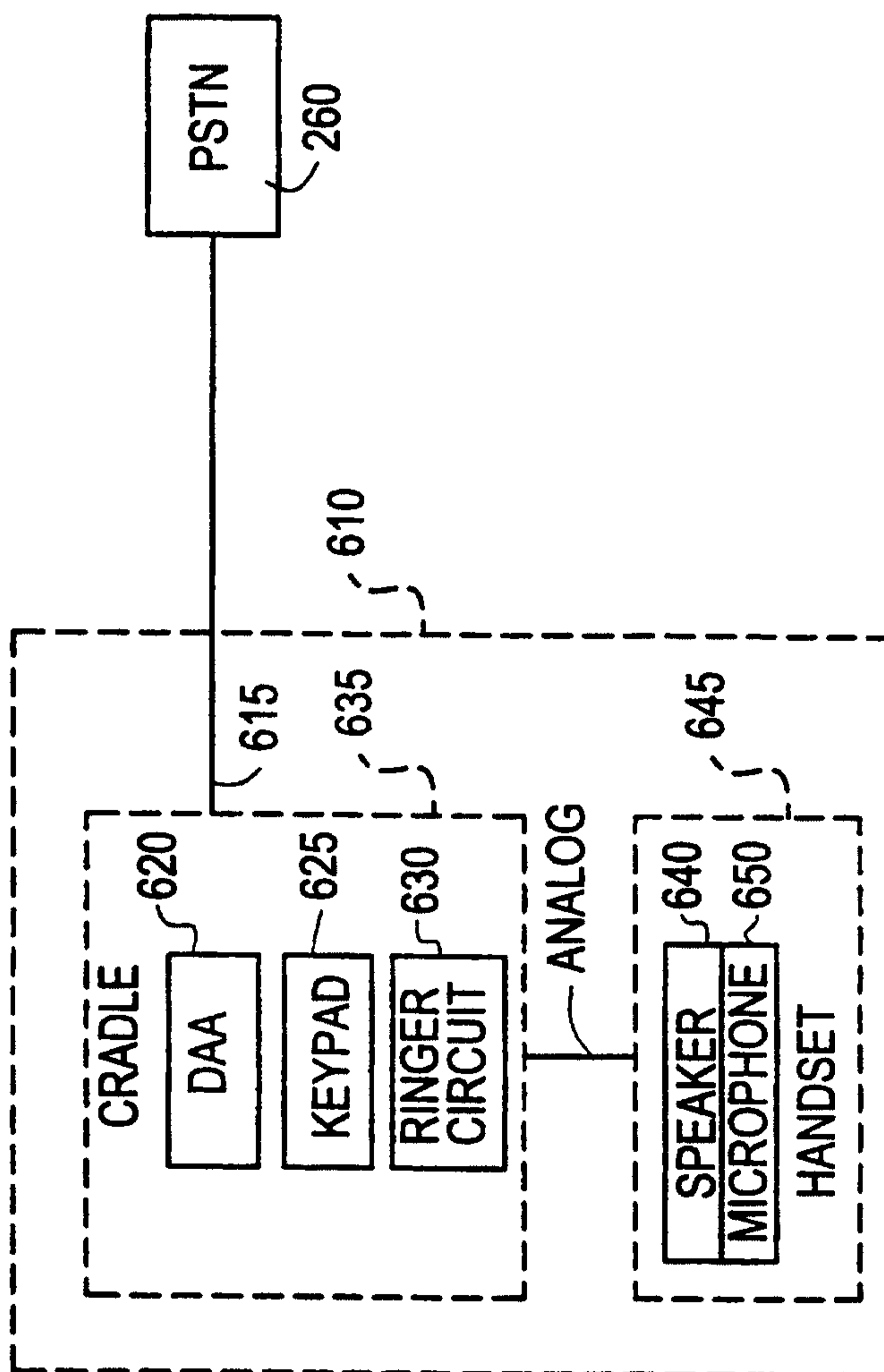


FIG. 9



10/21

FIG. 10



11/21

FIG. 11

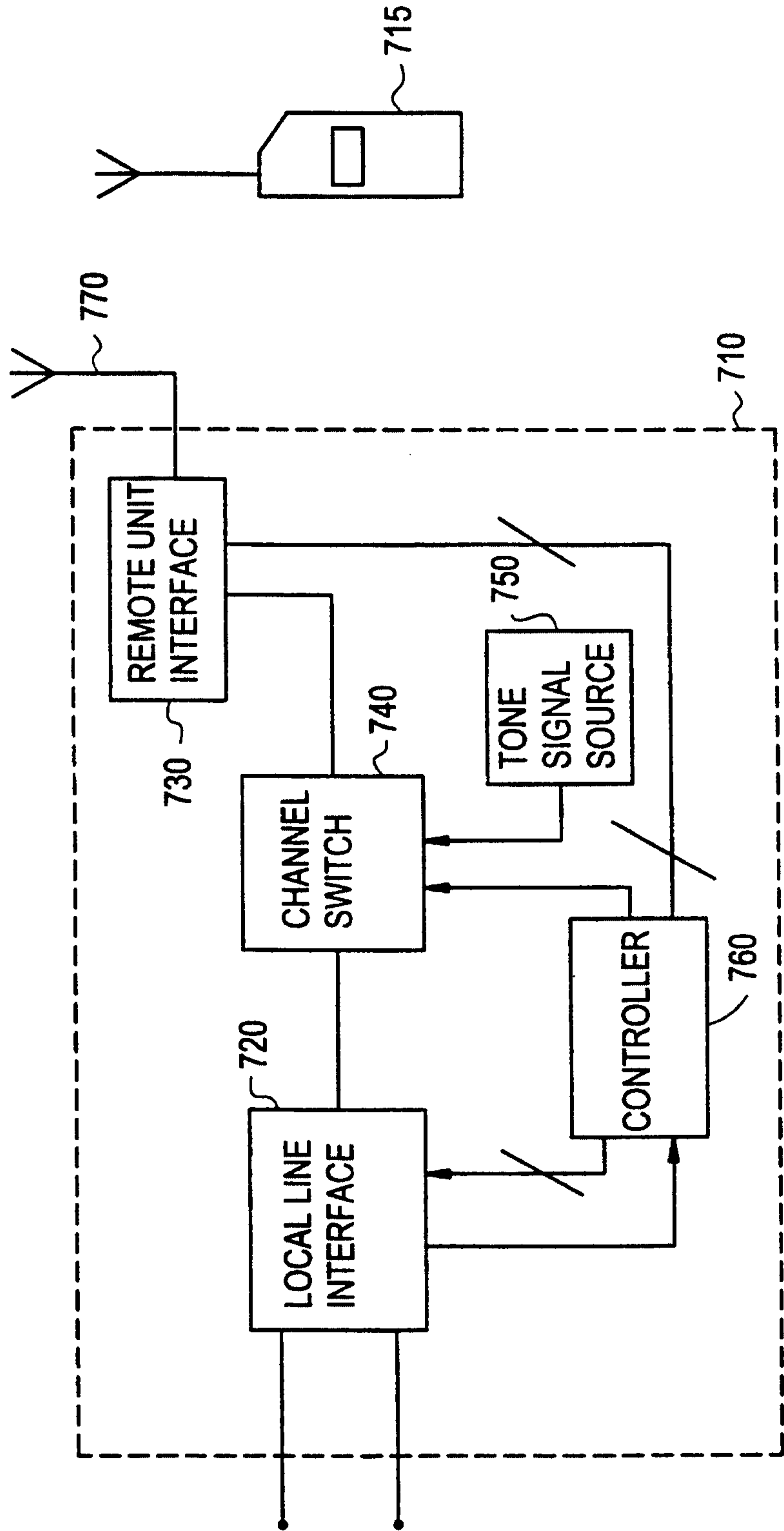


FIG. 12

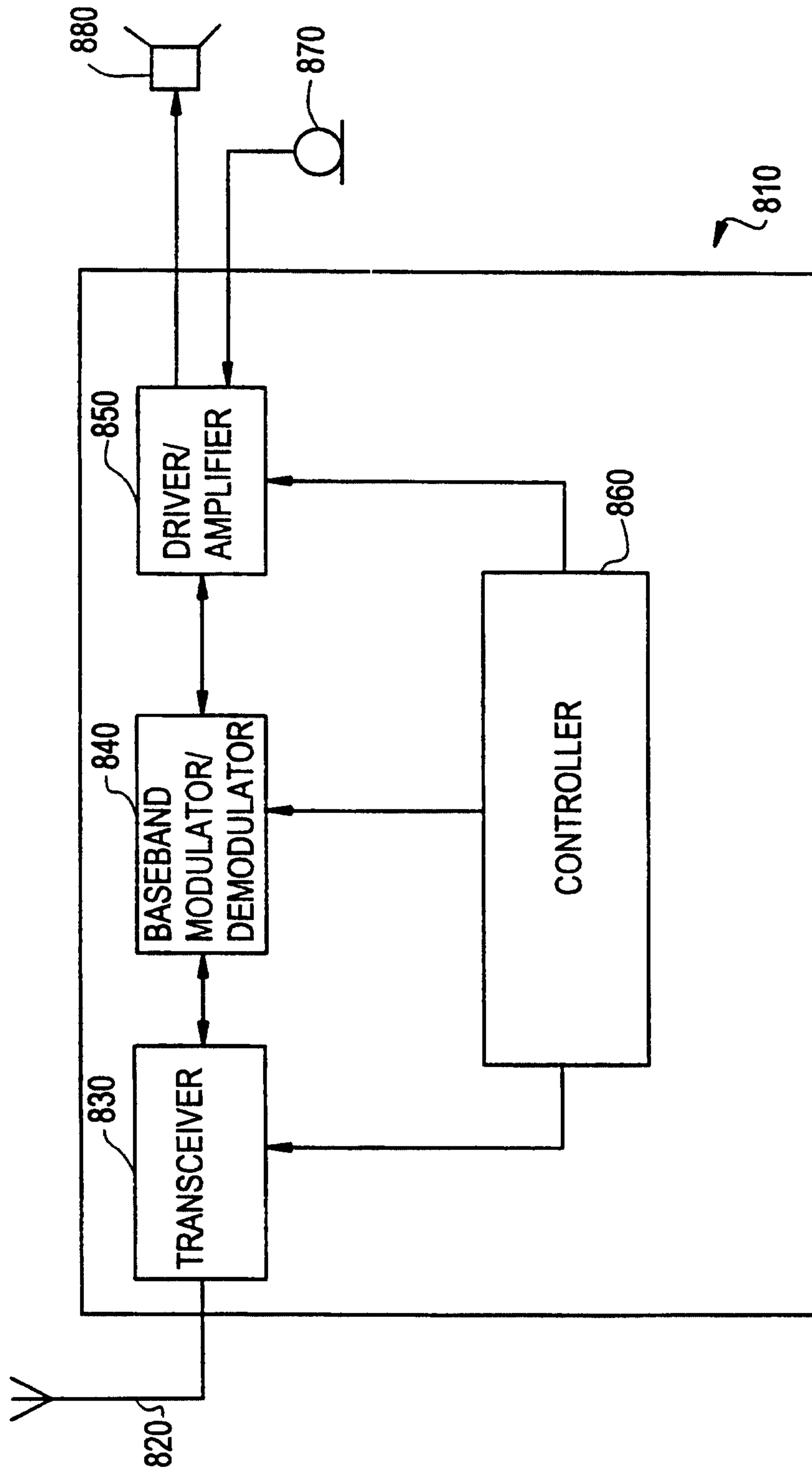
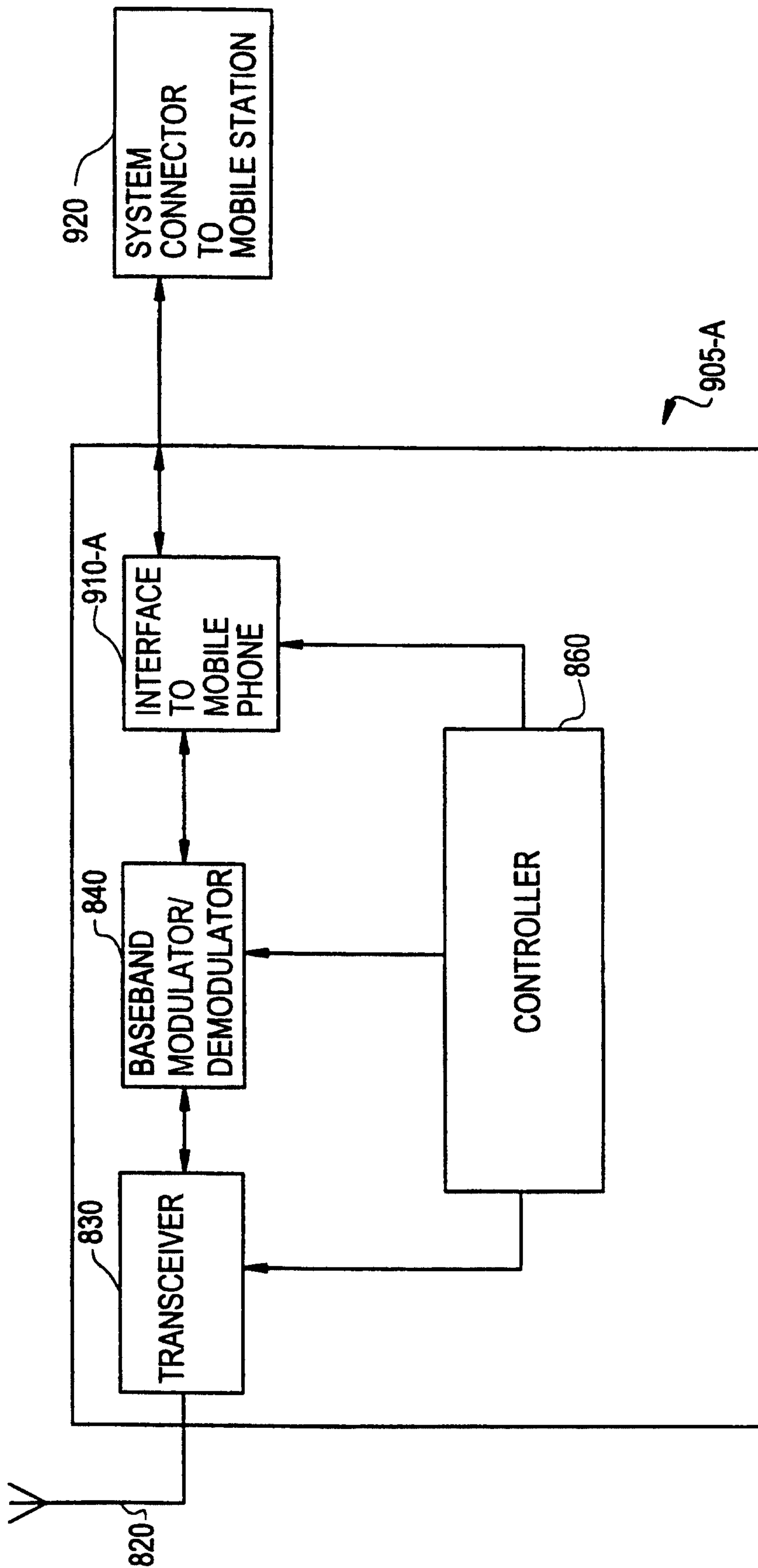


FIG. 13A



14/21

FIG. 13B

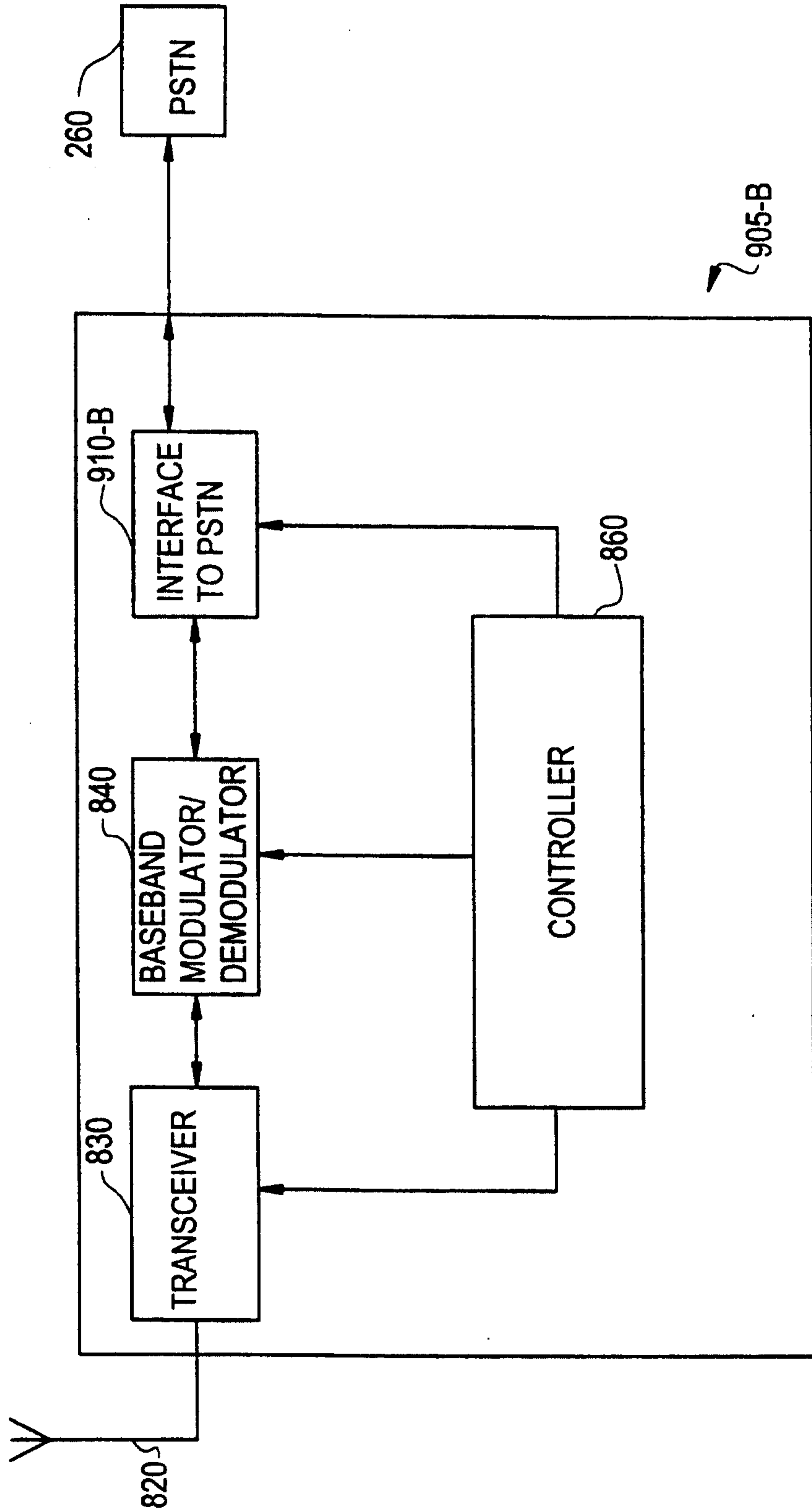


FIG. 13C

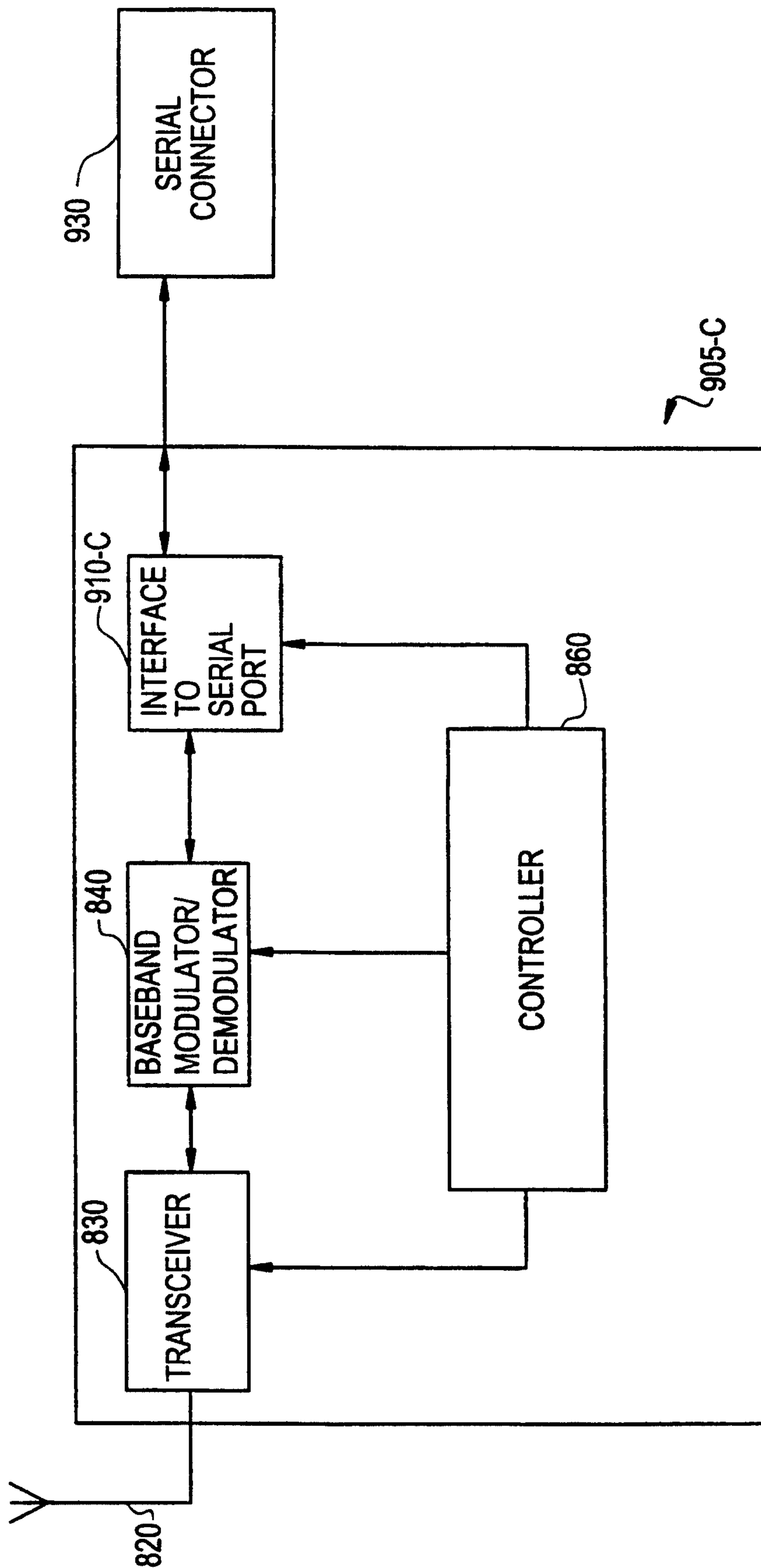


FIG. 13D

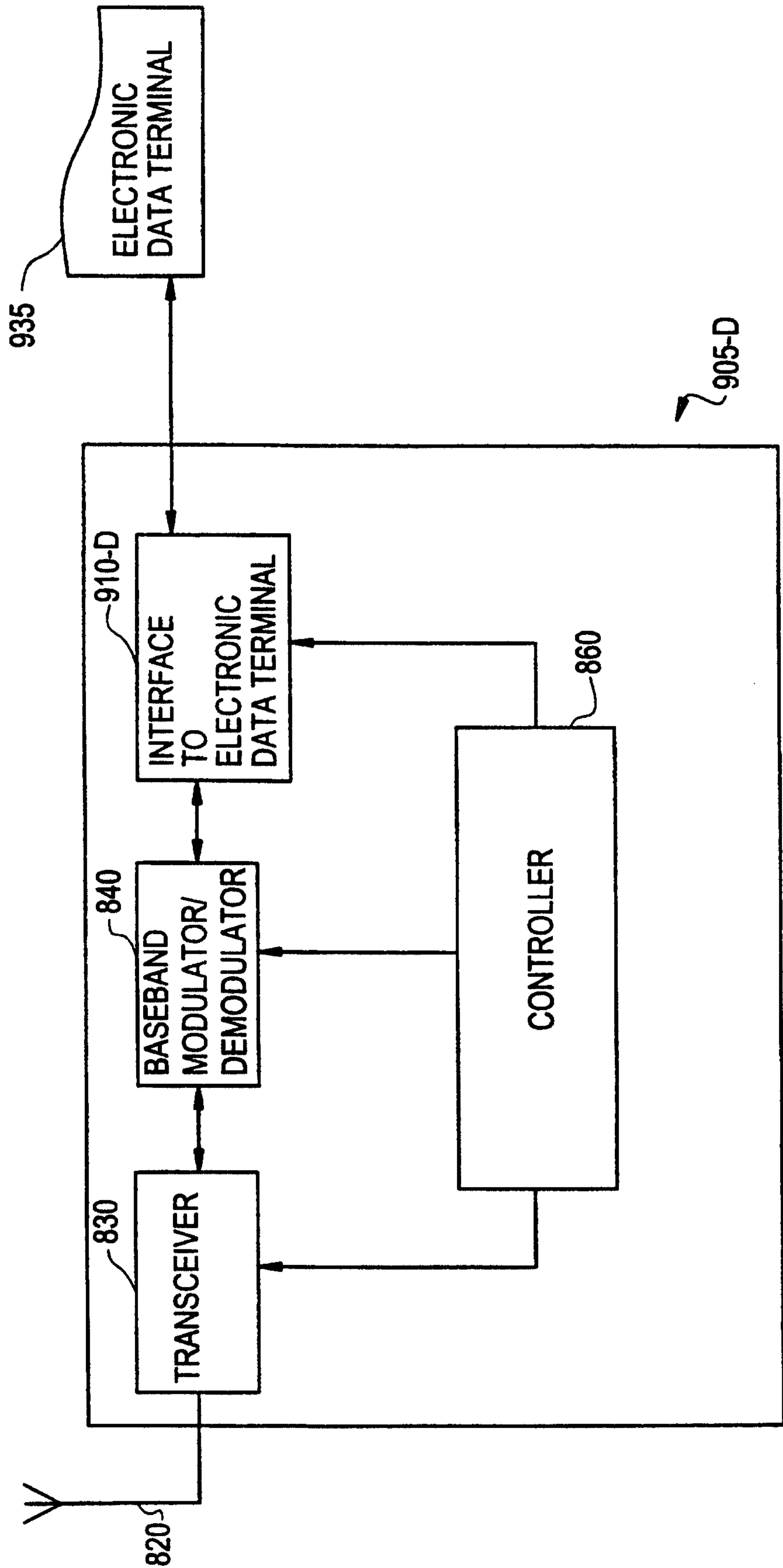


FIG. 13E

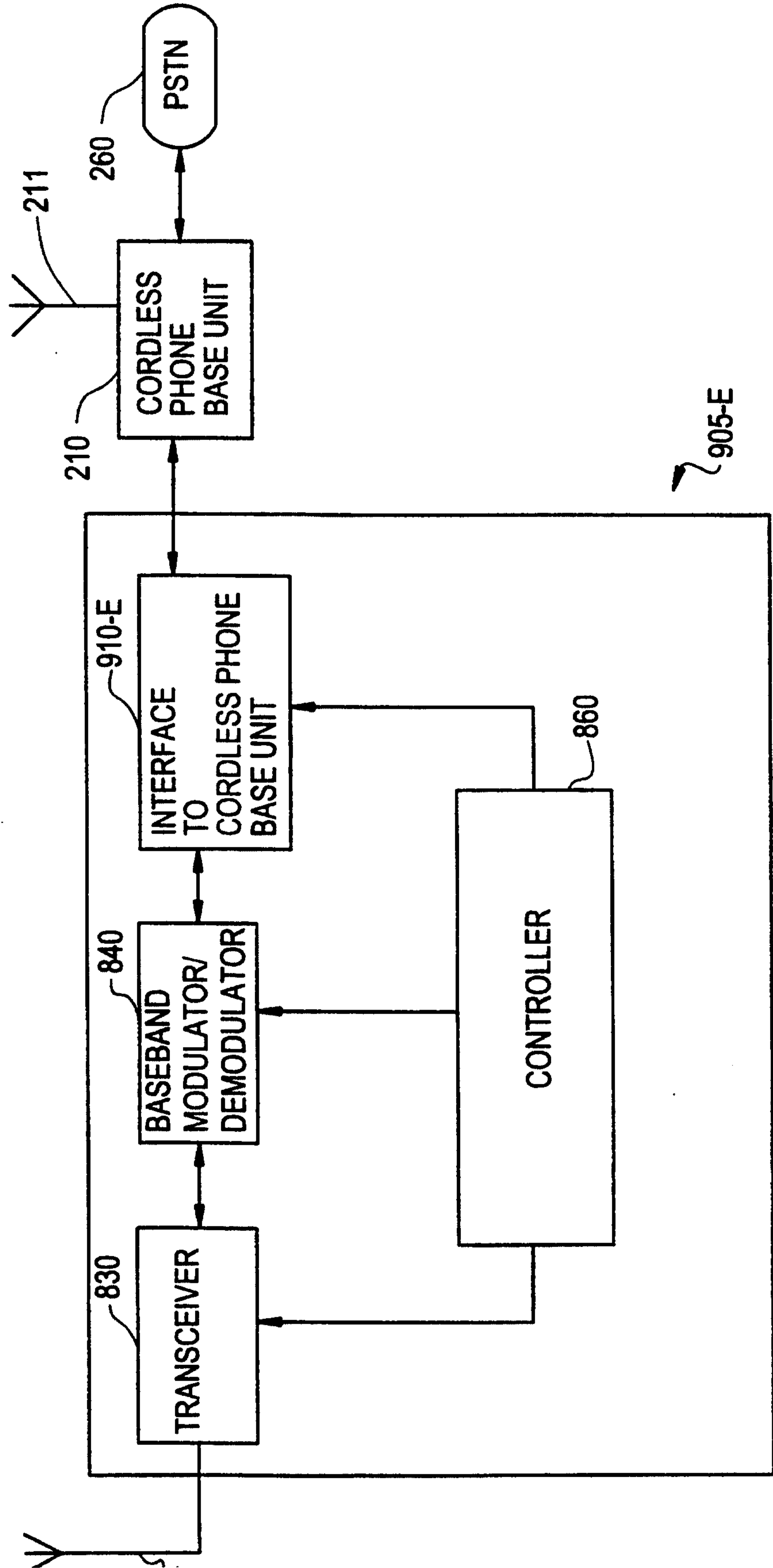
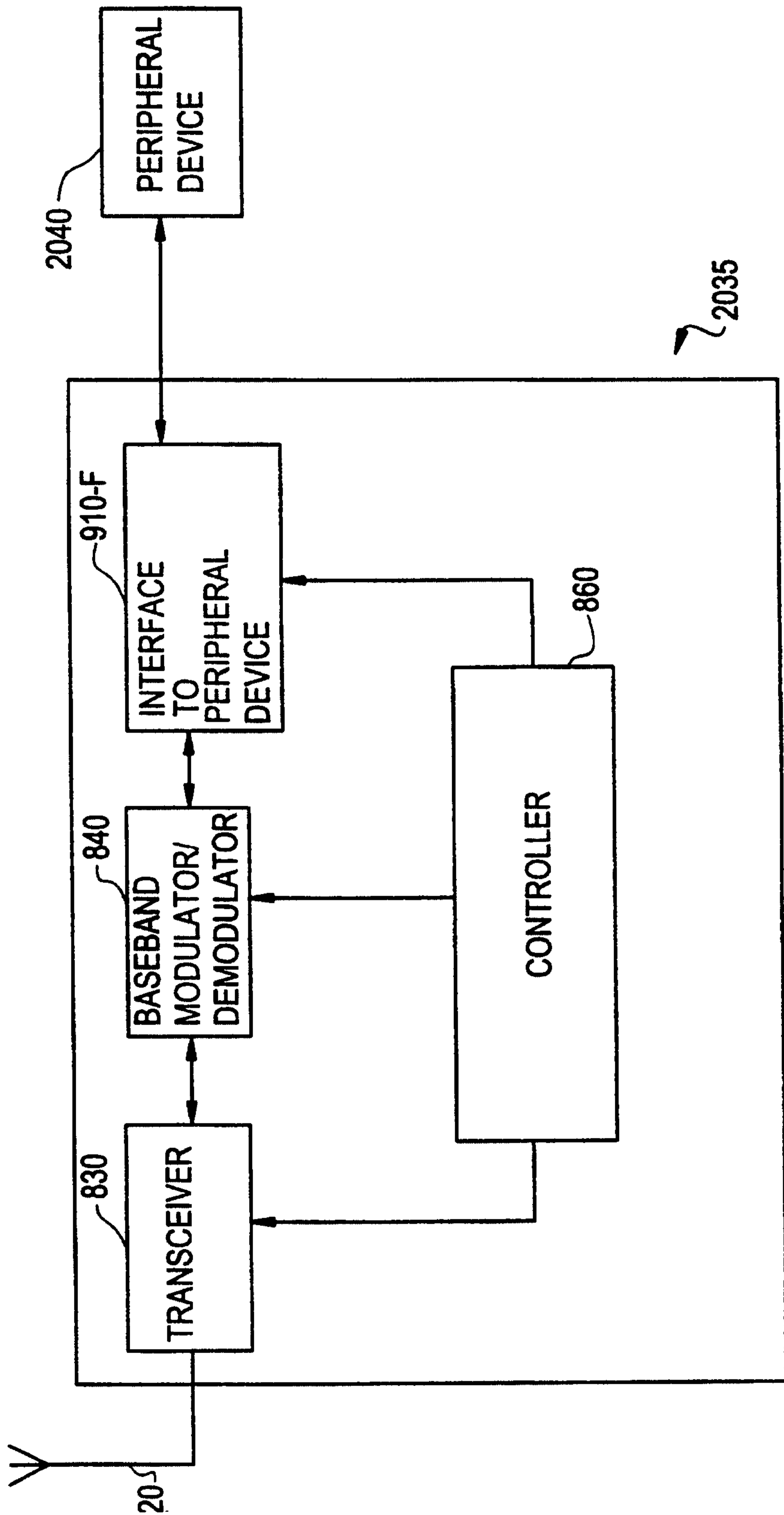
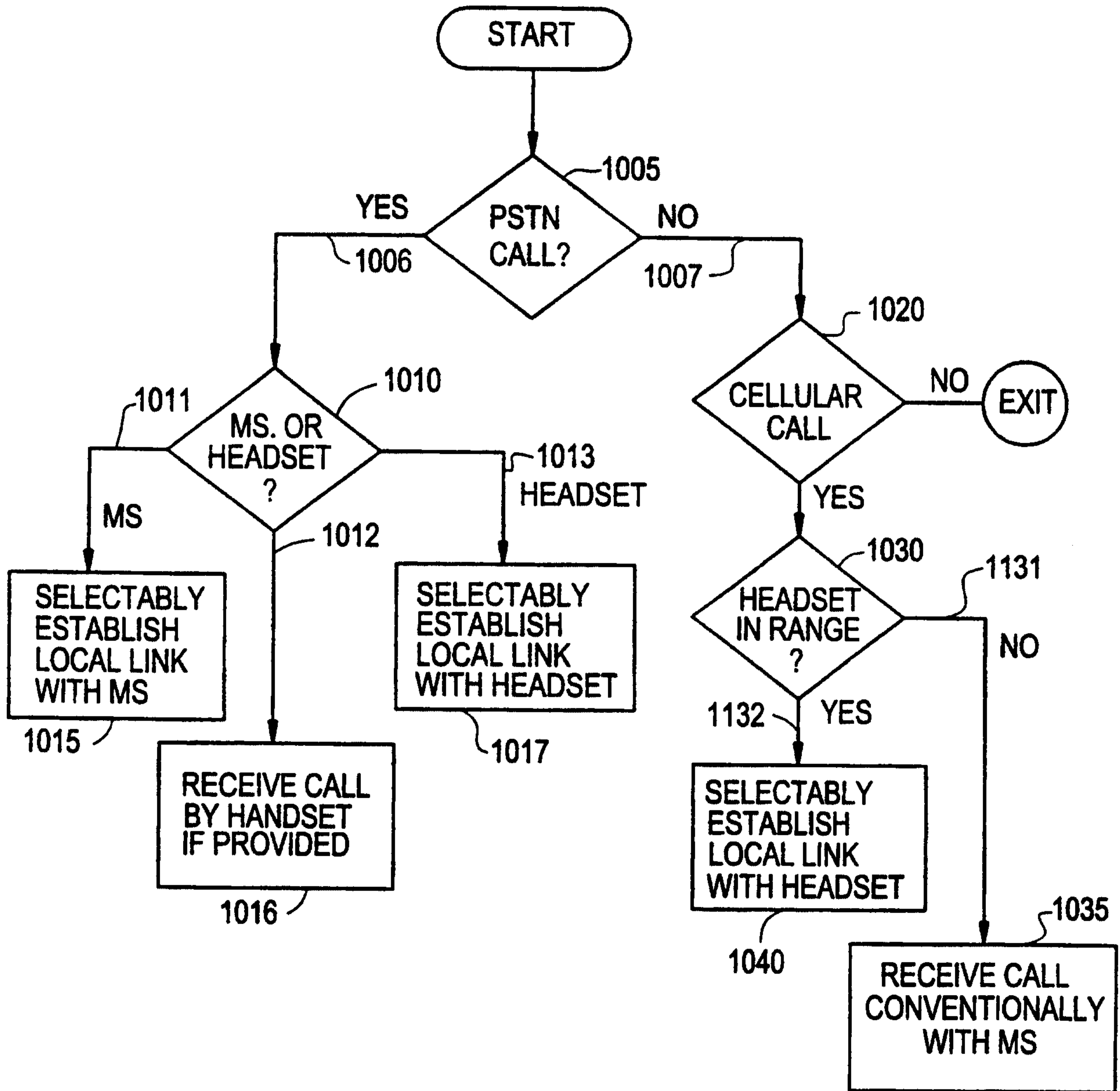


FIG. 13F



10/21

FIG. 14



20/21

FIG. 15A

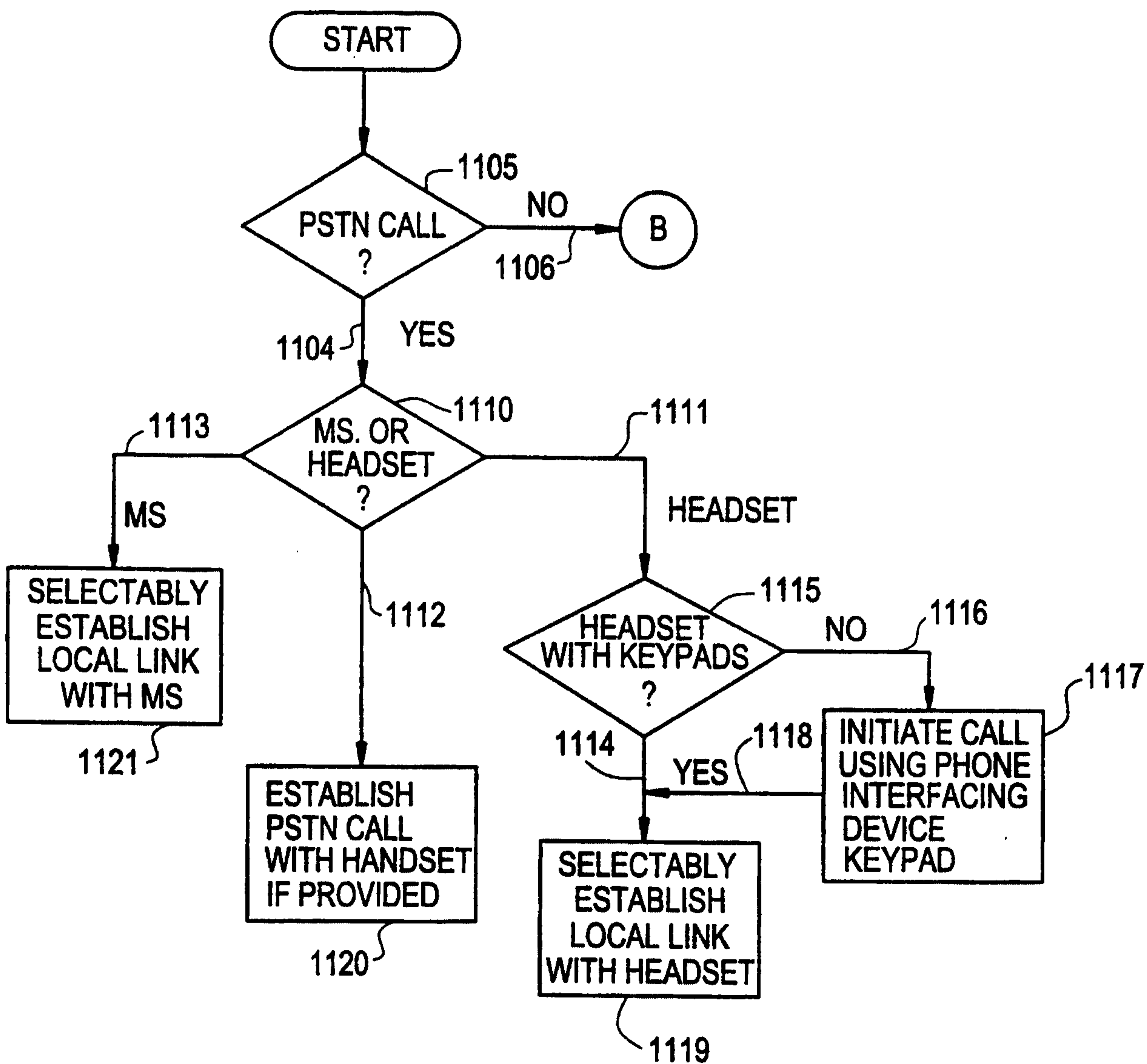


FIG. 15B

