

[54] WIRE LOCK BODY FOR MOTORCYCLES AND THE LIKE

[75] Inventor: Hisashi Saitou, Nagoya, Japan

[73] Assignee: Kabushiki Kaisha Saikosha Seisakusho, Kasugai, Japan

[**] Term: 14 Years

[21] Appl. No.: 621,623

[22] Filed: Oct. 10, 1975

[51] Int. Cl. D8-07

[52] U.S. Cl. D8/113

[58] Field of Search D8/113, 114, 109

[56] References Cited

U.S. PATENT DOCUMENTS

- D. 77,447 1/1929 Wise D8/109
- D. 153,823 5/1949 Reese et al. D8/113

OTHER PUBLICATIONS

American Bicyclist and Motorcyclist, Jan. 1973, p. 138, bottom of page, security cable.

Primary Examiner—William N. Wertman
Attorney, Agent, or Firm—Eric H. Waters

CLAIM

[57] The ornamental design for a wire lock body for motorcycles and the like, as shown and described.

DESCRIPTION

FIG. 1 is a top plan view of a wire lock body for motorcycles and the like, showing my new design;
 FIG. 2 is a bottom view thereof;
 FIG. 3 is a front view thereof;
 FIG. 4 is a left side view thereof;
 FIG. 5 is a right side view thereof; and
 FIG. 6 is a front view showing the wire lock.
 The broken lines are for illustrative purposes only.

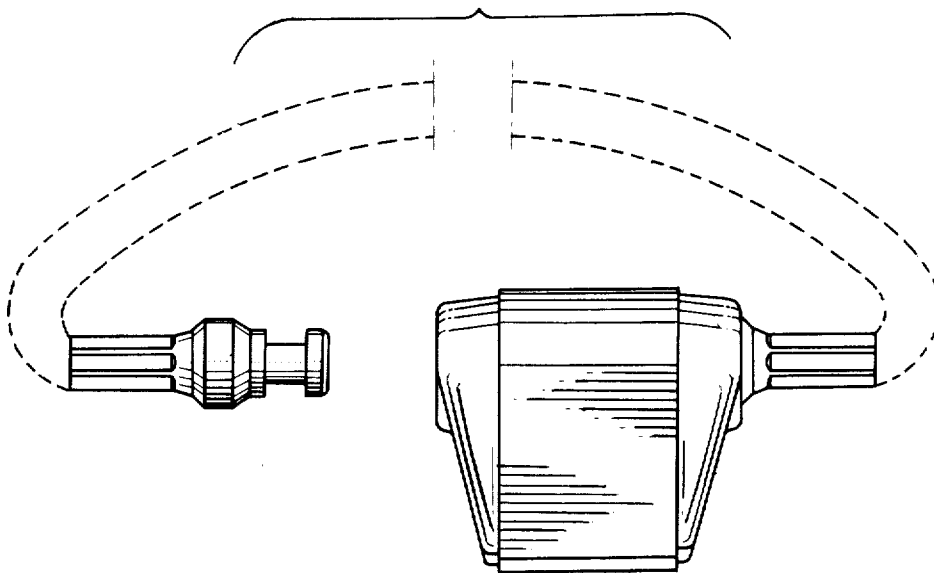


FIG. 1

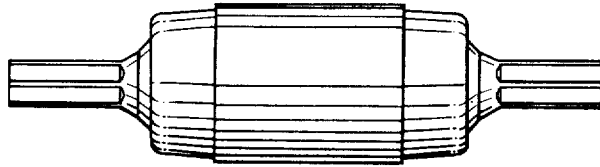


FIG. 2

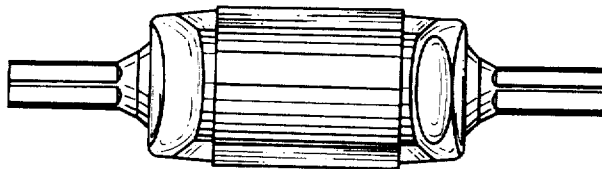


FIG. 3

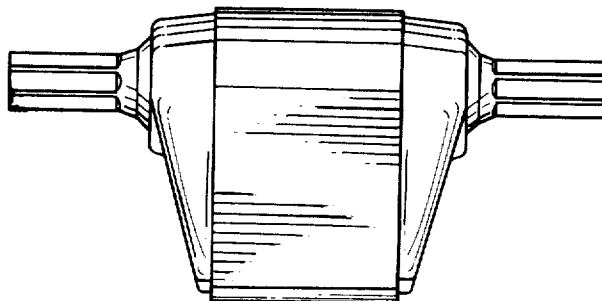


FIG. 4

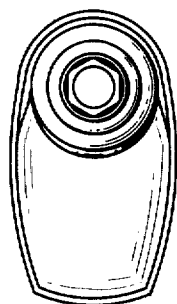


FIG. 5

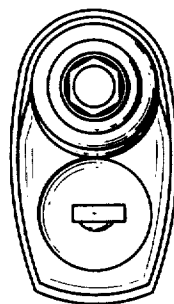


FIG. 6

