



(86) Date de dépôt PCT/PCT Filing Date: 2007/12/04
 (87) Date publication PCT/PCT Publication Date: 2008/06/12
 (85) Entrée phase nationale/National Entry: 2009/06/04
 (86) N° demande PCT/PCT Application No.: US 2007/024824
 (87) N° publication PCT/PCT Publication No.: 2008/070068
 (30) Priorité/Priority: 2006/12/04 (US60/868,448)

(51) Cl.Int./Int.Cl. *H04B 1/69* (2006.01),
H04L 27/26 (2006.01)
 (71) Demandeur/Applicant:
INTERDIGITAL TECHNOLOGY CORPORATION, US
 (72) Inventeurs/Inventors:
ZUNIGA, JUAN CARLOS, CA;
GRANDHI, SUDHEER A., US;
SAMMOUR, MOHAMMED, JO;
LIVET, CATHERINE, CA
 (74) Agent: RIDOUT & MAYBEE LLP

(54) Titre : PROCÉDE ET APPAREIL POUR PERMETTRE UNE TRANSMISSION MULTIBANDE
 (54) Title: METHOD AND APPARATUS OF ENABLING MULTI BAND TRANSMISSION

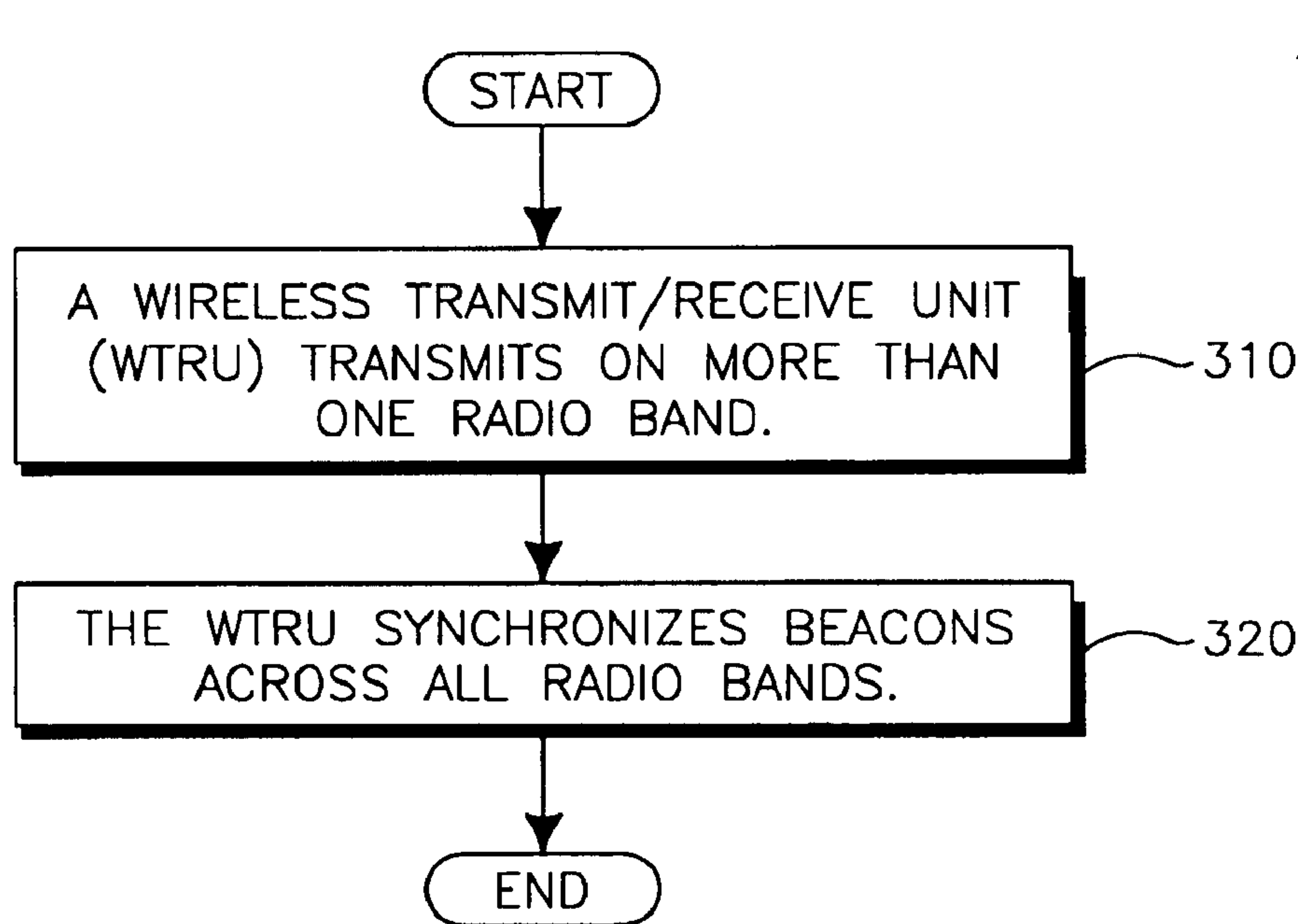


FIG.3

(57) **Abrégé/Abstract:**

A method and apparatus for enabling multi-band transmission includes transmitting a beacon on a first radio band and transmitting the beacon on a second radio band. The beacon includes coordination information for transmission on the first and second radio bands.

(12) INTERNATIONAL APPLICATION PUBLISHED UNDER THE PATENT COOPERATION TREATY (PCT)

CORRECTED VERSION

(19) World Intellectual Property Organization
International Bureau(43) International Publication Date
12 June 2008 (12.06.2008)

PCT

(10) International Publication Number
WO 2008/070068 A9

- (51) International Patent Classification:
H04B 1/69 (2006.01) *H04L 27/26* (2006.01)
- (21) International Application Number:
PCT/US2007/024824
- (22) International Filing Date:
4 December 2007 (04.12.2007)
- (25) Filing Language: English
- (26) Publication Language: English
- (30) Priority Data:
60/868,448 4 December 2006 (04.12.2006) US
- (71) Applicant (for all designated States except US): **INTER-DIGITAL TECHNOLOGY CORPORATION** [US/US]; 3411 Silverside Road, Concord Plaza, Suite 105, Hagley Building, Wilmington, Delaware 19810 (US).
- (72) Inventors; and
- (75) Inventors/Applicants (for US only): **ZUNIGA, Juan, Carlos** [MX/CA]; 955 Rue Gohier Ville St. Laurent, Montreal, Québec H4L 3J4 (CA). **GRANDHI, Sudheer A.** [US/US]; 1605 North James Street, Mamaroneck, New York 10543 (US). **SAMMOUR, Mohammed** [CA/CA]; 2555 Modugno, Apt. #705, Montreal, Québec H4R 2L5
- (CA). **LIVET, Catherine** [FR/CA]; 5023 rue de Brebeuf, Montreal, Québec H2J 3L6 (CA).
- (74) Agent: **BALLARINI, Robert, J.**; Volpe And Koenig, P.c., United Plaza, Suite 1600, 30 S. 17th Street, Philadelphia, Pennsylvania 19103 (US).
- (81) Designated States (unless otherwise indicated, for every kind of national protection available): AE, AG, AL, AM, AT, AU, AZ, BA, BB, BG, BH, BR, BW, BY, BZ, CA, CH, CN, CO, CR, CU, CZ, DE, DK, DM, DO, DZ, EC, EE, EG, ES, FI, GB, GD, GE, GH, GM, GT, HN, HR, HU, ID, IL, IN, IS, JP, KE, KG, KM, KN, KP, KR, KZ, LA, LC, LK, LR, LS, LT, LU, LY, MA, MD, ME, MG, MK, MN, MW, MX, MY, MZ, NA, NG, NI, NO, NZ, OM, PG, PH, PL, PT, RO, RS, RU, SC, SD, SE, SG, SK, SL, SM, SV, SY, TJ, TM, TN, TR, TT, TZ, UA, UG, US, UZ, VC, VN, ZA, ZM, ZW.
- (84) Designated States (unless otherwise indicated, for every kind of regional protection available): ARIPO (BW, GH, GM, KE, LS, MW, MZ, NA, SD, SL, SZ, TZ, UG, ZM, ZW), Eurasian (AM, AZ, BY, KG, KZ, MD, RU, TJ, TM), European (AT, BE, BG, CH, CY, CZ, DE, DK, EE, ES, FI, FR, GB, GR, HU, IE, IS, IT, LT, LU, LV, MC, MT, NL, PL,

[Continued on next page]

(54) Title: METHOD AND APPARATUS OF ENABLING MULTI BAND TRANSMISSION

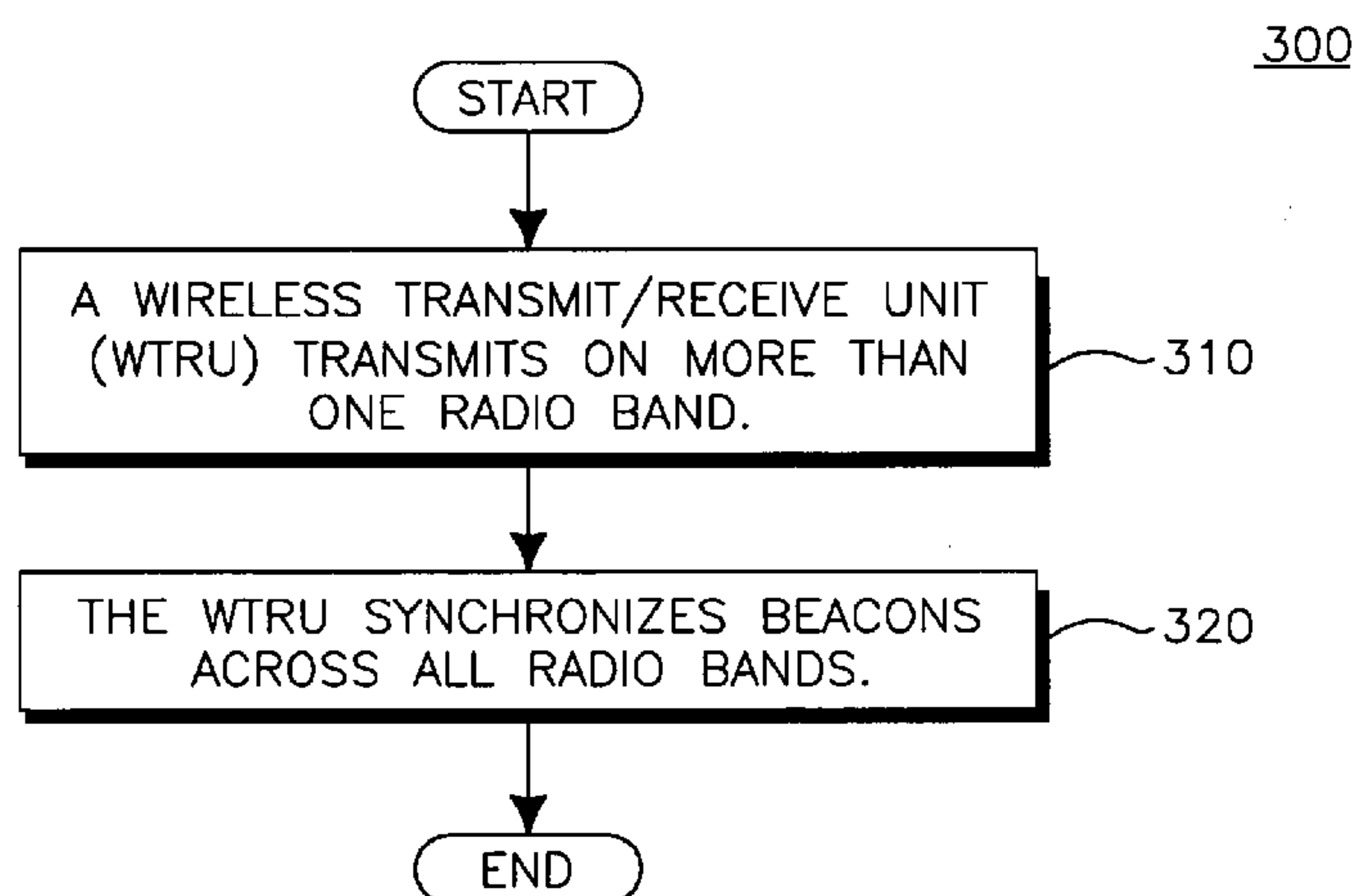


FIG.3

(57) Abstract: A method and apparatus for enabling multi-band transmission includes transmitting a beacon on a first radio band and transmitting the beacon on a second radio band. The beacon includes coordination information for transmission on the first and second radio bands.

WO 2008/070068 A9

WO 2008/070068 A9



PT, RO, SE, SI, SK, TR), OAPI (BF, BJ, CF, CG, CI, CM, GA, GN, GQ, GW, ML, MR, NE, SN, TD, TG).

(88) Date of publication of the international search report:
31 July 2008

Published:

- *with international search report*
- *with information concerning authorization of rectification of an obvious mistake under Rule 91.1*

(48) Date of publication of this corrected version:
26 February 2009

(15) Information about Correction:
see Notice of 26 February 2009

[0001] **METHOD AND APPARATUS OF ENABLING
MULTI BAND TRANSMISSION**

[0002] **FIELD OF INVENTION**

[0003] The present invention is related to wireless communication systems.

[0004] **BACKGROUND**

[0005] Ultra-wideband (UWB) technology is standardized under the ECMA 368/369 specification. In particular, the ECMA 368/369 standard specifies a distributed medium access control (MAC) Layer and a physical (PHY) Layer for WTRUs that support data rates up to 480 megabits per second (Mbps). The PHY layer is designed to operate in the 3.1 to 10.6 gigahertz (GHz) frequency spectrum and has been accepted as a common platform for technologies such as next generation Bluetooth®, wireless universal serial bus (WUSB) and wireless Firewire (IEEE 1394).

[0006] The ECMA 368 PHY uses a multi-band orthogonal frequency division modulation (MB OFDM) to transmit information. The ECMA 368 PHY specification operating frequency spectrum is divided into 5 radio band groups with each radio band, or equivalent carrier spacing, being 528 MHz. The first four radio band groups have three radio bands of 528 MHz, while the fifth band group includes two radio bands of 528 MHz each. The capability to operate in the first radio band group is mandatory. However, operating in the other radio band groups is optional.

[0007] The ECMA 386 MAC layer has a completely distributed architecture and provides MAC services to a higher layer protocols or to an adaptation layer. There is no central coordinating device and each device supports all MAC functions. Devices within radio range coordinate with each other using periodic beacon frames. These beacon frames provide network timing, scheduling and capability information, as well as other information and functions.

[0008] One way in which the beacon frames provide information is via an information element (IE) included in the beacon frame or in a command frame. This IE may include a beacon period (BP) switch IE and/or a distributed reservation protocol (DRP) IE. The BP switch IE, in particular, may include an element ID field, a length field, a BP move countdown field, a beacon slot offset field, and a BP start (BPST) offset field.

[0009] In addition, MAC superframe structures from ECMA 368 include beacon periods (BPs) and medium access slots (MASs).

[0010] One issue with the mechanism and rates currently supported by the ECMA 368/369 standards is that it may be inadequate to support applications such as high definition TV (HDTV) which requires a data rate of 1 Gbps or greater, depending on the HDTV format. It would therefore be beneficial to provide a method and apparatus to enable multi-band transmission that can enable higher data rates in next generation (NG) UWB.

[0011] SUMMARY

[0012] A method and apparatus for enabling multi-band transmission is disclosed. The method includes transmitting a beacon on a first radio band and transmitting the beacon on a second radio band. The beacon includes coordination information for transmission on the first and second radio bands.

[0013] BRIEF DESCRIPTION OF THE DRAWINGS

[0014] A more detailed understanding may be had from the following description, given by way of example and to be understood in conjunction with the accompanying drawings wherein:

[0015] Figure 1 shows an example of a distributed wireless communication system including a plurality of WTRUs in communication with one another;

[0016] Figure 2 is a functional block diagram of a WTRU of Figure 1;

[0017] Figure 3 is a flow diagram of a method of enabling multi-band transmission; and

[0018] Figure 4 is a flow diagram of an alternative method of enabling multi-band transmission.

[0019] DETAILED DESCRIPTION

[0020] When referred to hereafter, the terminology "wireless transmit/receive unit (WTRU)" includes but is not limited to a user equipment (UE), a mobile station, a fixed or mobile subscriber unit, a pager, a cellular telephone, a personal digital assistant (PDA), a computer, or any other type of user device capable of operating in a wireless environment. When referred to hereafter, the terminology "base station" includes but is not limited to a Node-B, a site controller, an access point (AP), or any other type of interfacing device capable of operating in a wireless environment.

[0021] Figure 1 shows an example of a distributed wireless communication system 100 including a plurality of WTRUs 110. As shown in Figure 1, the WTRUs 110 are all in communication with one another. However, although three WTRUs 110 are shown in communication with one another, it should be noted that any number of WTRUs 110 may be included in the distributed wireless communication system 100 and every WTRU 110 may or may not be in communication with every other WTRU 110.

[0022] Figure 2 is a functional block diagram of a WTRU 110. In addition to the components that may be found in a typical WTRU, the WTRU 110 includes a processor 115, a receiver 116, a transmitter 117, and an antenna 118. The processor 115 is configured to enable multi-band transmission, as described by way of example in more detail below. The receiver 116 and the transmitter 117 are in communication with the processor 115. The antenna 118 is in communication with both the receiver 116 and the transmitter 117 to facilitate the transmission and reception of wireless data. Although only one transmitter, receiver and antenna are depicted in the WTRU 110 as shown in Figure 2, the WTRU 110 may include a plurality of transmitters, receivers and antennas.

[0023] Figure 3 is a flow diagram of a method 300 of enabling multi-band transmission. Implementation of the method 300 provides an increased data rate for WTRUs implementing NG UWB technology. Additionally, bandwidth may be expanded by utilizing more than one radio band, which is currently 528 MHz.

[0024] In step 310, the WTRU 110 transmits a beacon on more than one radio band. The beacon includes information relating to coordination of transmission with the WTRU 110 on more than one radio bands. The transmission may occur on adjacent radio bands or non-adjacent radio bands, and the radio bands may include a single radio or dual-radio option.

[0025] The WTRU 110 coordinates, or synchronizes, beacons across all of the radio bands (step 320). This synchronization may include aligning beacon period (BP) start times for different beacons across bands. Alternatively, the WTRU 110 may have knowledge of the relative offsets among the BP start times in the different bands. Because a BP expands for longer than the beacon transmission duration, partial time overlapping of BPs can occur. Additionally, non-overlapping beacon transmissions can be achieved.

[0026] If the WTRU 110 includes a single radio transmitter, the WTRU 110 transmits on more than one radio band to increase the data rate. For example, the WTRU 110 will transmit on adjacent radio bands. In this case, the WTRU 110 synchronizes (step 1020) the beacon by aligning the beacon period start time in all radio bands of an expanded bandwidth transmission (EBT).

[0027] In another scenario, the WTRU 110 may transmit on a first radio band, then switch, or "hop," to a second radio band where the WTRU 110 monitors for the beacon in the BP and transmits on the second radio band. An example of this scenario may include where the WTRU 110 including a single radio utilizes resources on multiple bands, such as half of the medium access slots (MASs) on one radio band and half on another. In this case, the BPs on different bands may not be aligned, but may have a known offset. The WTRU 110 in this scenario utilizes both beacons at different points in time. This

scenario may also facilitate reserving resources via DRP on multiple bands using one beacon, such as a master beacon.

[0028] Alternatively, the WTRU 110 may have EBT utilized in the non-beacon period, (i.e., non-BP), only. For example, the WTRU 110 may utilize a single radio transmitter that transmits simultaneously on two adjacent bands with single radio band transmissions occurring during the BP. This will enable proper reception of the beacon transmissions.

[0029] In another scenario, the WTRU 110 may include more than one radio transmitter. Figure 4 is a flow diagram of an alternative method 400 of enabling multi-band transmission. As depicted in the method 400, the WTRU 110 includes a plurality of radio transmitters.

[0030] In step 410, separate radios, or radio transmitters, of the WTRU 110 transmit independently on separate radio bands. For example, a first radio may transmit on one radio band while a second radio transmits on a second radio band. In this case, there may be no need for BP synchronization or alignment, since the two beacons are transmitted over separate radio bands and do not conflict with one another.

[0031] The WTRU 110 monitors the transmission medium (step 420) for the existence of a beacon frame (step 430). If no beacon frames exist (step 430), then the WTRU 110 creates a BP (step 440). In particular, a BP start time alignment in all bands of an EBT is utilized so the reservations of an EBT for the WTRU 110 in all bands are aligned. One scenario in which this may be achieved is to reuse the BP switch IE to synchronize BPs across all radio bands.

[0032] The WTRU 110 coordinates the beacon synchronization across all the bands (step 450). In one example, a WTRU 110 equipped for EBT transmits a beacon frame in a given radio band according to its own BP (step 460). Other WTRUs that receive this beacon frame align their BPs with a BP switch IE. For example, before switching to the new BP, the WTRU 110 may transmit a beacon on its previous BP where the BP switch IE is added to indicate the move to the new BP. The EBT equipped WTRU 110 may transmit simultaneously in all radio bands, or in sequence from radio band to radio band. Accordingly, the result is

that the BPs in all bands are aligned to the BP of the EBT WTRU 110. This may require multiple superframes to perform in this manner.

[0033] Alternatively, the WTRU 110 may introduce a new EBT BP switch IE to the other WTRUs in the system that instructs them to synchronize their BPs to the value specified at a time specified in the EBT BP switch IE. Accordingly, the new EBT switch IE includes, in a field, a new beacon period timing and a time to change the BP. Additionally, the WTRU 110 may provide EBT capabilities, such as default channels and default expanded channels in the beacon transmitted.

[0034] Although features and elements are described above in particular combinations, each feature or element can be used alone without the other features and elements or in various combinations with or without other features and elements. The methods or flow charts provided herein may be implemented in a computer program, software, or firmware tangibly embodied in a computer-readable storage medium for execution by a general purpose computer or a processor. Examples of computer-readable storage mediums include a read only memory (ROM), a random access memory (RAM), a register, cache memory, semiconductor memory devices, magnetic media such as internal hard disks and removable disks, magneto-optical media, and optical media such as CD-ROM disks, and digital versatile disks (DVDs).

[0035] Suitable processors include, by way of example, a general purpose processor, a special purpose processor, a conventional processor, a digital signal processor (DSP), a plurality of microprocessors, one or more microprocessors in association with a DSP core, a controller, a microcontroller, Application Specific Integrated Circuits (ASICs), Field Programmable Gate Arrays (FPGAs) circuits, any other type of integrated circuit (IC), and/or a state machine.

[0036] A processor in association with software may be used to implement a radio frequency transceiver for use in a wireless transmit receive unit (WTRU), user equipment (UE), terminal, base station, radio network controller (RNC), or any host computer. The WTRU may be used in conjunction with modules, implemented in hardware and/or software, such as a camera, a video camera

module, a videophone, a speakerphone, a vibration device, a speaker, a microphone, a television transceiver, a hands free headset, a keyboard, a Bluetooth® module, a frequency modulated (FM) radio unit, a liquid crystal display (LCD) display unit, an organic light-emitting diode (OLED) display unit, a digital music player, a media player, a video game player module, an Internet browser, and/or any wireless local area network (WLAN) or Ultra Wide Band (UWB) module.

[0037] Embodiments:

1. A method for enabling multi-band transmission.
2. A method as in embodiment 1, further comprising transmitting on a first radio band.
3. A method as in any preceding embodiment, further comprising transmitting on a second radio band.
4. A method as in any preceding embodiment, further comprising transmitting coordinated beacons across a first and second radio band.
5. A method as in any preceding embodiment, further comprising aligning beacon period start times across a first and second radio band.
6. A method as in any preceding embodiment, further comprising switching from a first radio band to a second radio band and monitoring for a beacon on the second radio band prior to transmitting on the second radio band.
7. A method as in any preceding embodiment wherein a first radio band is adjacent to a second radio band.

8. A method as in any preceding embodiment wherein a first radio band is not adjacent to a second radio band.

9. A method as in any preceding embodiment, further comprising a first radio of a wireless transmit/receive unit (WTRU) transmitting on a first radio band.

10. A method as in any preceding embodiment, further comprising a second radio of a WTRU transmitting on a second radio band.

11. A method as in any preceding embodiment, further comprising monitoring the transmission medium to determine the presence of a beacon frame.

12. A method as in any preceding embodiment, further comprising creating a beacon period (BP) depending on a determination.

13. A method as in any preceding embodiment, further comprising coordinating beacon synchronization across a first and second radio bands.

14. A method as in any preceding embodiment, further comprising transmitting a beacon frame.

15. A method as in any preceding embodiment, further comprising aligning a beacon period start time in a first and second radio bands.

16. A method as in any preceding embodiment, further comprising configuring a BP switch information element (IE) to include synchronization information.

17. A method as in any preceding embodiment, further comprising adding an expanded bandwidth transmission (EBT) BP switch IE to a beacon frame, wherein the EBT BP switch IE includes a field indicating a new beacon timing value and a time to change to a new BP.

18. A method as in any preceding embodiment wherein a beacon frame is transmitted simultaneously on a first and second radio band.

19. A method as in any preceding embodiment wherein a beacon frame is transmitted sequentially on a first and second radio band.

20. A method as in any preceding embodiment wherein a beacon frame includes EBT capabilities of a WTRU.

21. A method as in any preceding embodiment wherein EBT capabilities include any one of the following: a default channel and a default expanded channel.

22. A WTRU configured to perform a method as in any preceding embodiment.

23. The WTRU of embodiment 22, further comprising a receiver.

24. A WTRU as in any of embodiments 22-23, further comprising a transmitter.

25. A WTRU as in any of embodiments 22-24, further comprising a processor in communication with the receiver and the transmitter.

26. A WTRU as in any of embodiments 22-25 wherein a processor is configured to transmit on a first radio band, transmit on a second radio band, and transmit coordinated beacons across a first and second radio band.

27. A WTRU as in any of embodiments 22-26 wherein a processor is further configured to align beacon period start times across a first and second radio band.

28. A WTRU as in any of embodiments 22-27 wherein a processor is configured to switch from a first radio band to a second radio band and monitor for a beacon on the second radio band prior to transmitting on the second radio band.

29. A WTRU as in any of embodiments 22-28, further comprising a first transmitter.

30. A WTRU as in any of embodiments 22-29, further comprising a second transmitter.

31. A WTRU as in any of embodiments 22-30, further comprising a processor in communication with a receiver and the first and second transmitters.

32. A WTRU as in any of embodiments 22-31 wherein a processor is configured to control a first transmitter to transmit on a first radio band, control a second transmitter to transmit on a second radio band, monitor the transmission medium to determine the presence of a beacon frame, create a beacon period (BP) depending on the determination, coordinate beacon synchronization across the first and second radio bands, and transmit a beacon frame.

33. A WTRU as in any of embodiments 22-32 wherein a processor is configured to configure a BP switch information element (IE) to include synchronization information.

34. A WTRU as in any of embodiments 22-33 wherein a processor is configured to add an expanded bandwidth transmission (EBT) BP switch IE to a beacon frame, wherein the EBT BP switch IE includes a field indicating a new beacon timing value and a time to change to a new BP.

35. A WTRU as in any of embodiments 22-34 wherein a processor is further configured to transmit expanded bandwidth transmission (EBT) capabilities of the WTRU in a beacon frame.

36. A WTRU as in any of embodiments 22-35 wherein EBT capabilities include any one of the following: a default channel and a default expanded channel.

* * *

ITC-2-1463.01.WO

CLAIMS

What is claimed is:

1. A method for enabling multi-band transmission, comprising:
a first radio of a wireless transmit/receive unit (WTRU) transmitting on a first radio band;
a second radio of the WTRU transmitting on a second radio band;
monitoring the transmission medium to determine the presence of a beacon frame;
creating a beacon period (BP) depending on the determination;
adding an expanded bandwidth transmission (EBT) BP switch information element (IE) to a beacon frame, wherein the EBT BP switch IE includes a field indicating a new beacon timing value and a time to change to a new BP; and
transmitting the beacon frame on the first and second radio bands wherein the beacon frame includes synchronization information for transmission on the first and second radio bands, wherein the first radio transmits the beacon frame on the first radio band and the second radio transmits the beacon frame on the second radio band.
2. The method of claim 1, further comprising aligning a beacon period start time on the first and second radio bands.
3. The method of claim 1 wherein the beacon frame is transmitted simultaneously on the first and second radio bands.
4. The method of claim 1 wherein the beacon frame is transmitted sequentially on the first and second radio bands.
5. The method of claim 1 wherein the beacon frame includes EBT capabilities of the WTRU.

ITC-2-1463.01.WO

REPLACEMENT SHEET

6. The method of claim 5 wherein EBT capabilities include any one of the following: a default channel and a default expanded channel.

7. A wireless transmit/receive unit (WTRU), comprising:

a receiver;

a first transmitter;

a second transmitter; and

a processor in communication with the receiver and the first and second transmitters, the processor configured to control the first transmitter to transmit on a first radio band, control the second transmitter to transmit on a second radio band, monitor the transmission medium to determine the presence of a beacon frame, create a beacon period (BP) depending on the determination, add an expanded bandwidth transmission (EBT) BP switch information element (IE) to a beacon frame, wherein the EBT BP switch IE includes a field indicating a new beacon timing value and a time to change to a new BP, and transmit the beacon frame on the first and second radio bands wherein the beacon frame includes synchronization information for transmission on the first and second radio bands, wherein the first radio transmits the beacon frame on the first radio band and the second radio transmits the beacon frame on the second radio band.

8. The WTRU of claim 7 wherein the processor is further configured to align a beacon period start time on the first and second radio bands.

9. The WTRU of claim 7 wherein the processor is further configured to transmit expanded bandwidth transmission (EBT) capabilities of the WTRU in the beacon frame.

10. The WTRU of claim 9 wherein the EBT capabilities include any one of the following: a default channel and a default expanded channel.

100

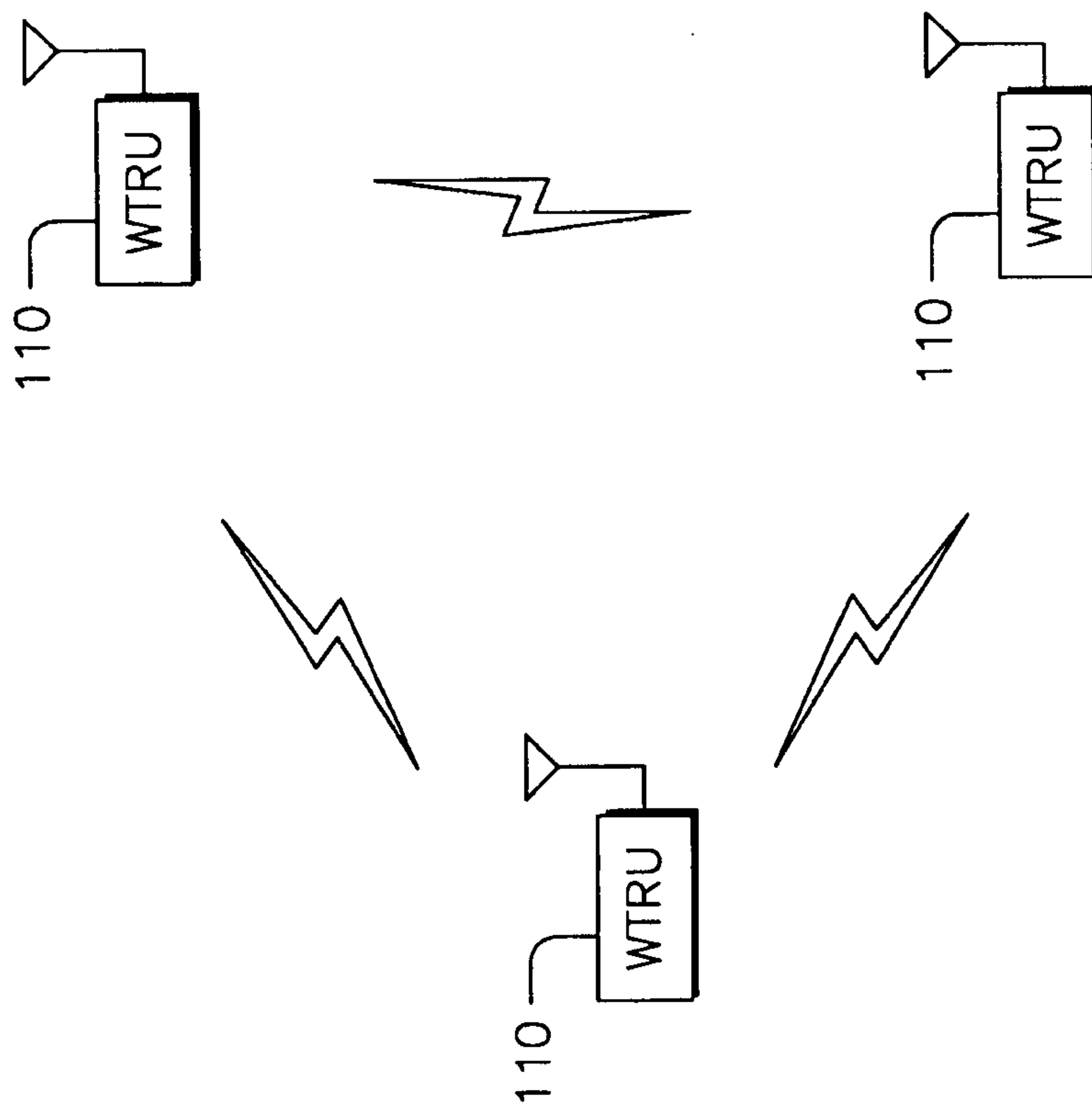


FIG.1

2/3

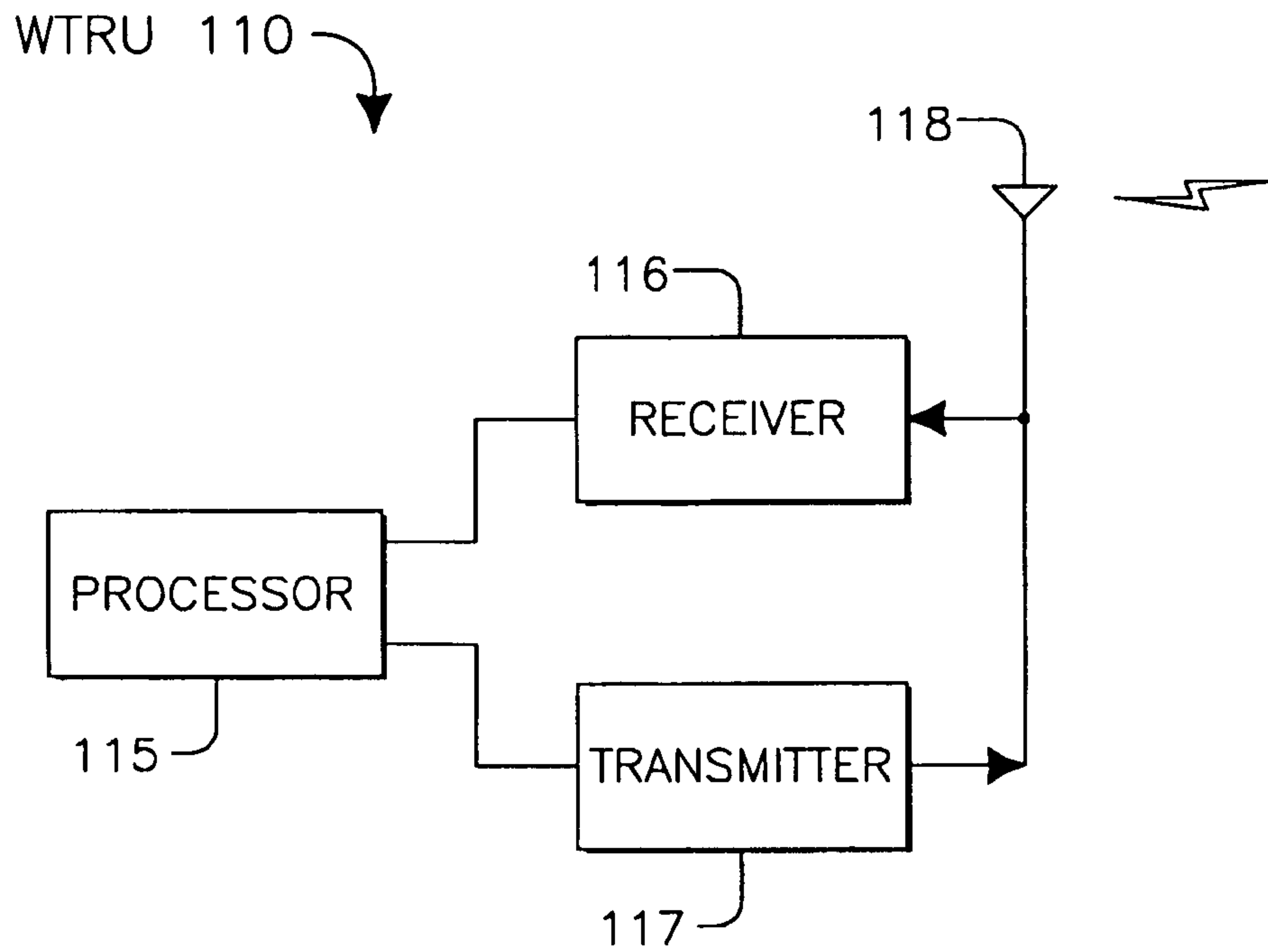


FIG.2

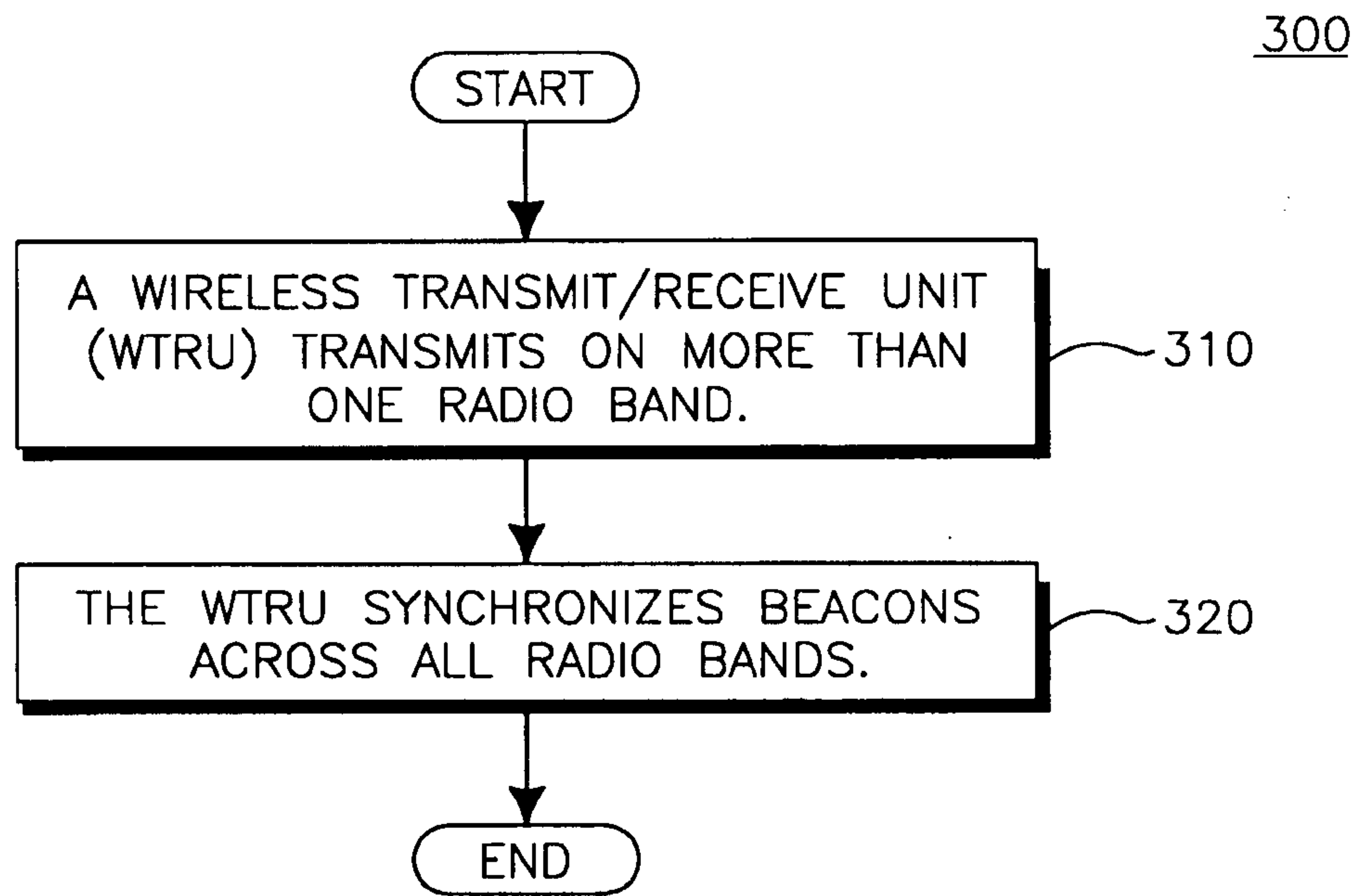
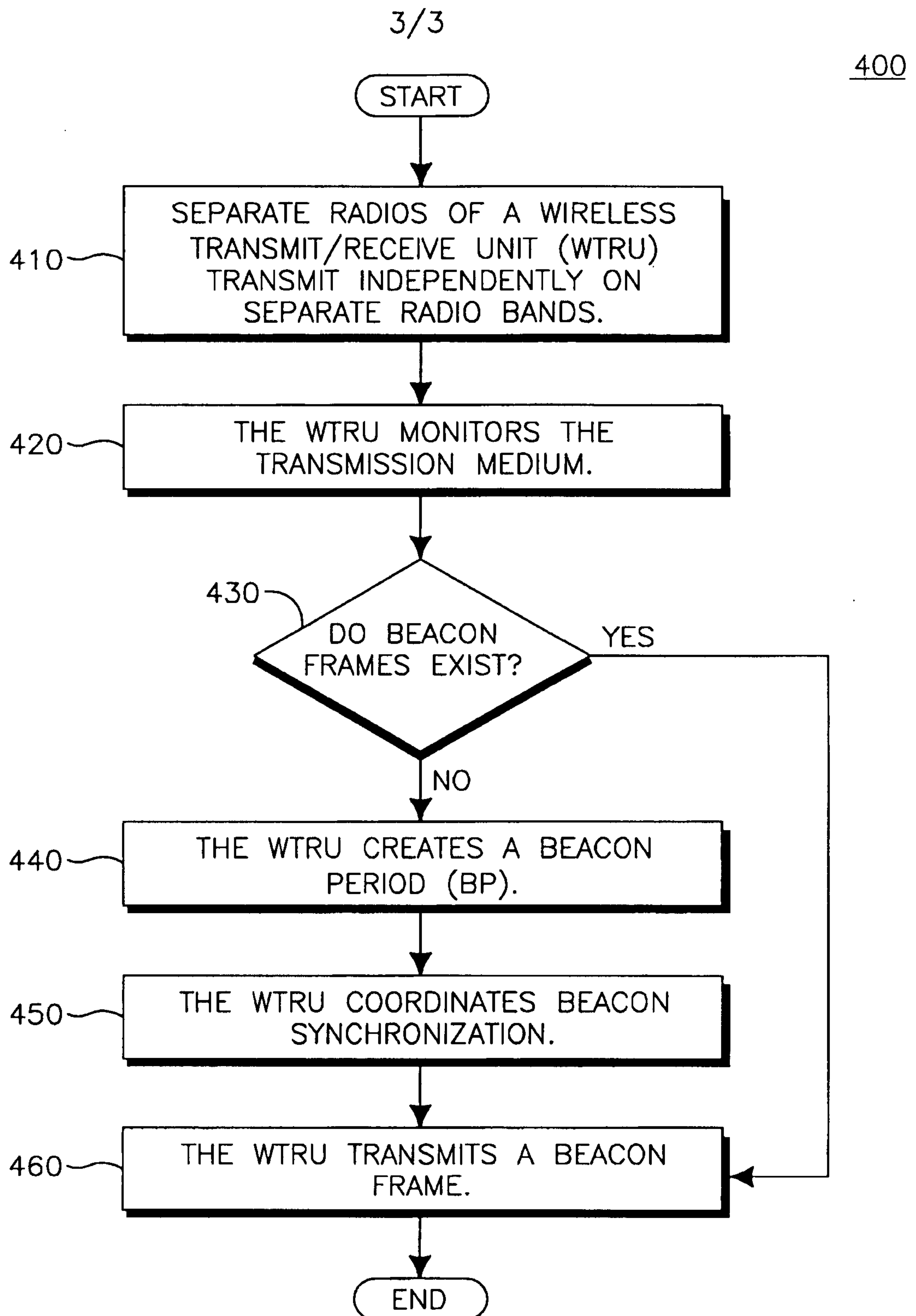


FIG.3

**FIG.4**

START

A WIRELESS TRANSMIT/RECEIVE UNIT (WTRU) TRANSMITS ON MORE THAN ONE RADIO BAND.

310

THE WTRU SYNCHRONIZES BEACONS ACROSS ALL RADIO BANDS.

320

END

FIG.3