



US00D744942S

(12) **United States Design Patent**
Bates

(10) **Patent No.:** **US D744,942 S**

(45) **Date of Patent:** **** Dec. 8, 2015**

- (54) **BATTERY CHARGER**
- (71) Applicant: **Lawrence M. Bates**, Deland, FL (US)
- (72) Inventor: **Lawrence M. Bates**, Deland, FL (US)
- (73) Assignee: **Deltona Transformer Corporation**,
Deland, FL (US)
- (**) Term: **14 Years**

D581,356 S *	11/2008	Ahlgren	D13/107
D617,267 S *	6/2010	Li	D13/107
D624,013 S *	9/2010	Lingott	D13/107
D624,014 S *	9/2010	Lingott	D13/107
D654,854 S *	2/2012	Inskeep	D13/107
D662,879 S *	7/2012	Steinbuechel, IV	D13/107
D664,501 S *	7/2012	Inskeep	D13/107
D694,180 S *	11/2013	Inskeep	D13/107
D696,188 S *	12/2013	Loeck	D13/108
D697,026 S *	1/2014	Dasbach	D13/108

* cited by examiner

- (21) Appl. No.: **29/494,715**
- (22) Filed: **Jun. 24, 2014**
- (51) **LOC (10) Cl.** **13-02**
- (52) **U.S. Cl.** **D13/107**
USPC **D13/107**
- (58) **Field of Classification Search**
USPC D13/107-110, 118-119, 182, 199;
D14/251, 253, 432, 434; 320/107-115
CPC Y02E 60/12; Y02T 90/14; Y02T 90/122;
Y02T 90/128; Y02T 90/163; H02J 7/025;
H02J 7/0042; H02J 7/0044; H02J 7/0045;
H02J 7/0003; H01F 38/14; H01R 13/6675;
H01M 2/1022; H01M 2/1055; H01M 10/44;
H01M 10/46; H01M 10/425; B60L 11/182
See application file for complete search history.

Primary Examiner — Rosemary K Tarcza
(74) *Attorney, Agent, or Firm* — Livingston Loeffler, P.A.;
Edward M. Livingston, Esq.; Bryan L. Loeffler, Esq.

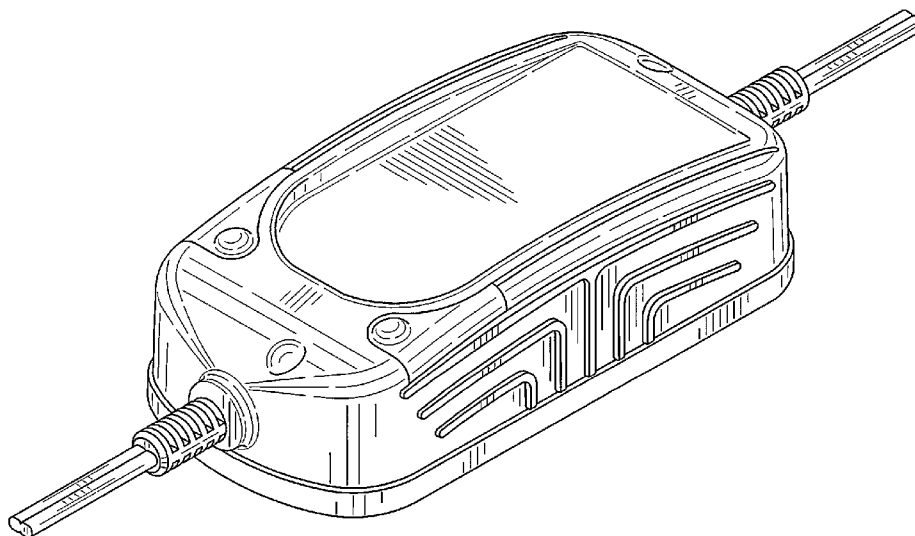
(57) **CLAIM**
The ornamental design for a battery charger, as shown and described.

DESCRIPTION

FIG. 1 is a top perspective view of a battery charger of the present invention;
FIG. 2 is a front view of the battery charger of the present invention;
FIG. 3 is a rear view of the battery charger of the present invention;
FIG. 4 is a top view of the battery charger of the present invention;
FIG. 5 is a bottom view of the battery charger of the present invention;
FIG. 6 is a left side view of the battery charger of the present invention; and,
FIG. 7 is a right side view of the battery charger of the present invention.

- (56) **References Cited**
U.S. PATENT DOCUMENTS
5,019,767 A * 5/1991 Shirai H01M 2/105
224/902
D511,743 S * 11/2005 Hriscu D13/107
D575,225 S * 8/2008 Ahlgren D13/107

1 Claim, 3 Drawing Sheets



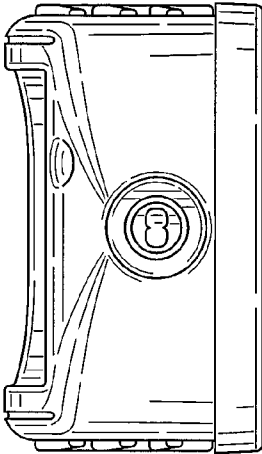


FIG. 2

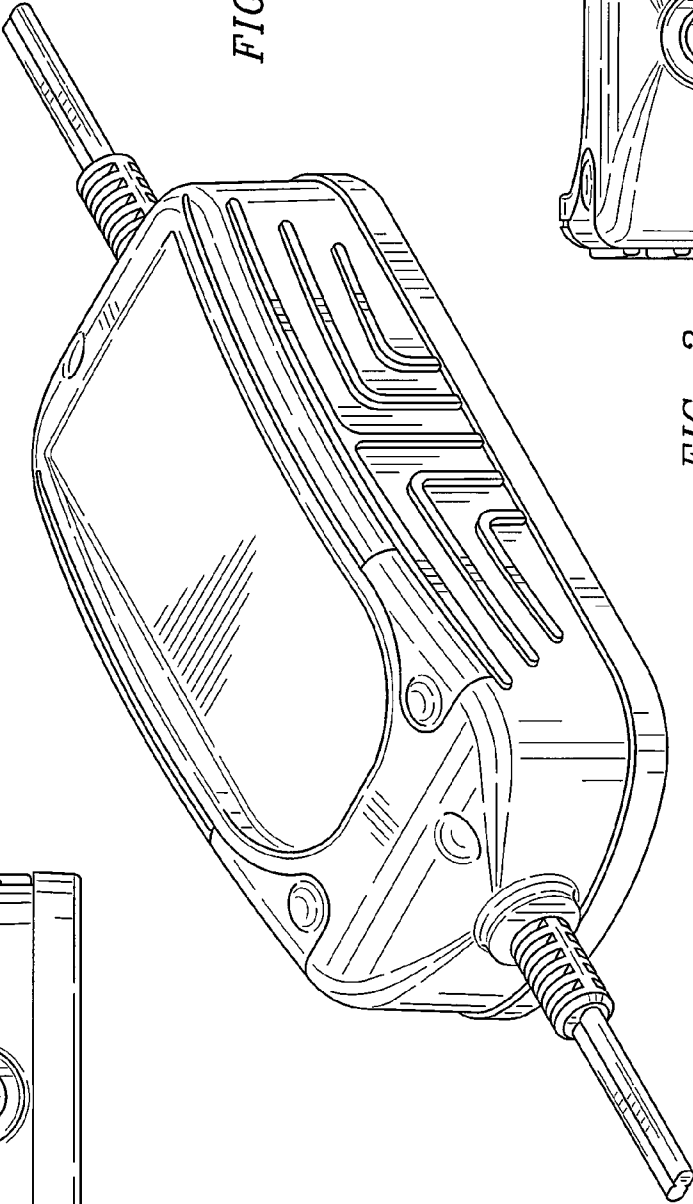


FIG. 1

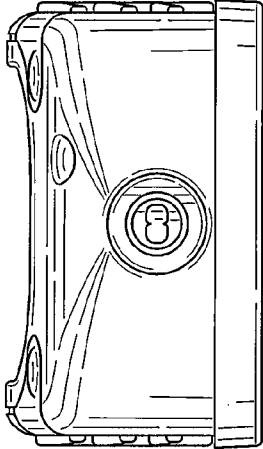


FIG. 3

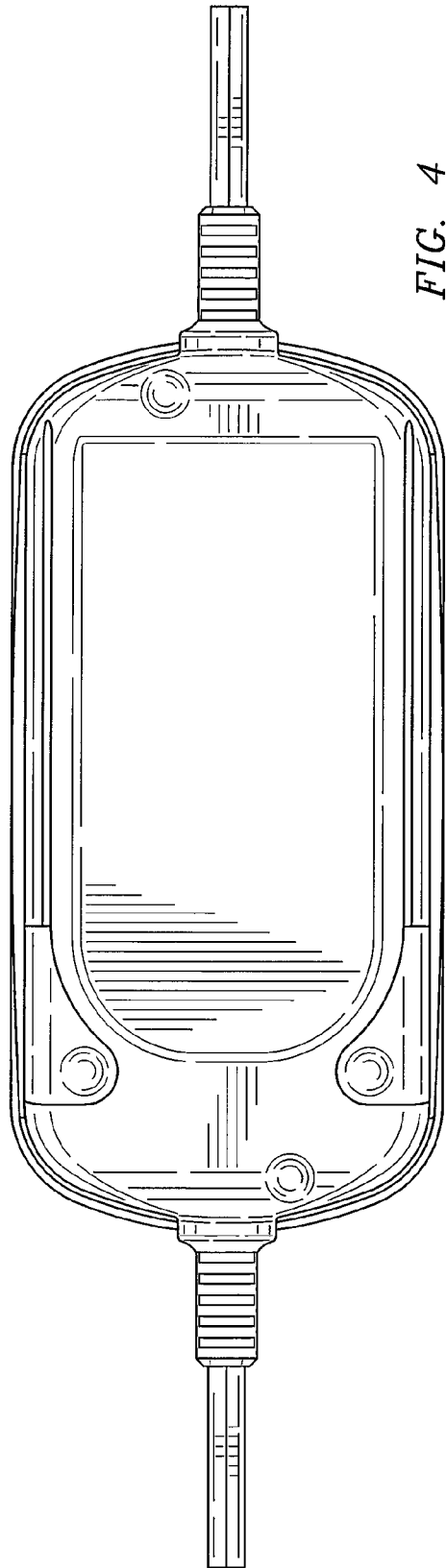


FIG. 4

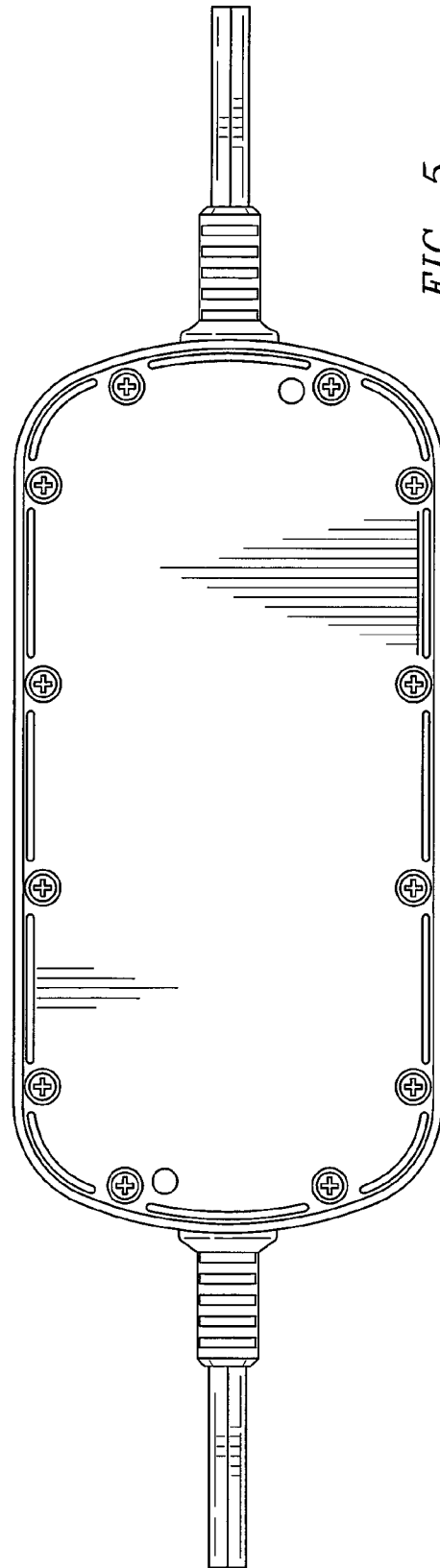


FIG. 5

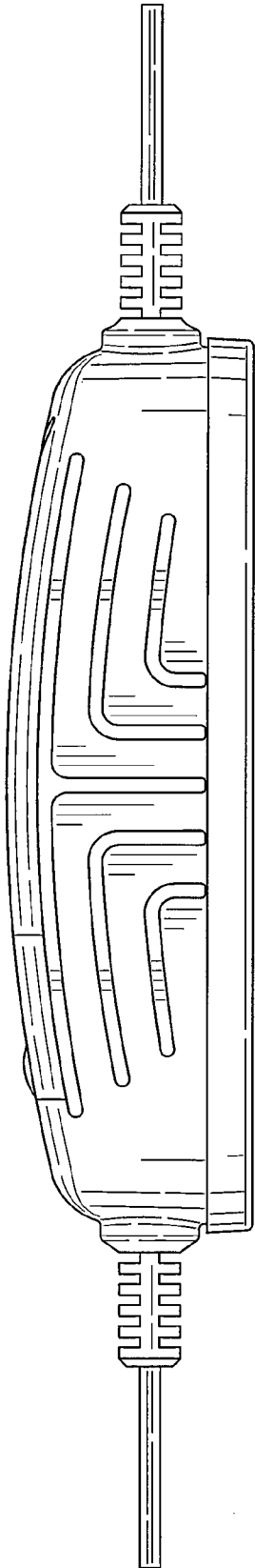


FIG. 6

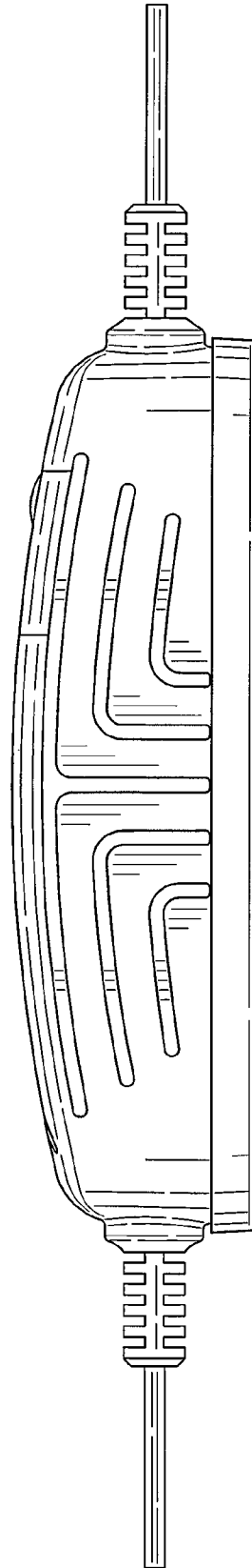


FIG. 7