



US00D749168S

(12) **United States Design Patent**  
**Nakagawa et al.**

(10) **Patent No.:** **US D749,168 S**

(45) **Date of Patent:** **\*\* Feb. 9, 2016**

(54) **PRINTER**

(71) Applicant: **BROTHER INDUSTRIES, LTD.**,  
Nagoya-shi, Aichi-ken (JP)

(72) Inventors: **Ryoichi Nakagawa**, Kiyosu (JP);  
**Jihoon Kil**, Nagoya (JP); **Jiro Suzuki**,  
Kariya (JP)

(73) Assignee: **BROTHER INDUSTRIES, LTD.**,  
Nagoya (JP)

(\*\*) Term: **14 Years**

(21) Appl. No.: **29/491,365**

(22) Filed: **May 20, 2014**

(30) **Foreign Application Priority Data**

Nov. 20, 2013 (JP) ..... 2013-27140  
Nov. 20, 2013 (JP) ..... 2013-27141

(51) **LOC (10) Cl.** ..... **14-02**

(52) **U.S. Cl.**  
USPC ..... **D18/50**

(58) **Field of Classification Search**  
USPC ..... D18/36–39, 50, 54, 54.1, 55, 14, 19;  
D14/420–425, 462–470; 400/613,  
400/613.1–613.4, 690.1–690.4, 691–694  
CPC ..... B41J 1/46; B41J 3/36; B41J 9/26;  
B41J 15/00; B41J 29/02; B41J 29/13; B41J  
35/36; B65H 35/06; G03G 21/00; G03G  
21/16; G03G 15/10; G06F 3/12; G06K 15/14  
See application file for complete search history.

(56) **References Cited**

U.S. PATENT DOCUMENTS

D575,330 S \* 8/2008 Egami et al. .... D18/55  
D639,851 S \* 6/2011 Penke et al. .... D18/55  
D647,133 S \* 10/2011 Sato et al. .... D18/55  
D670,328 S 11/2012 Suzuki et al.  
D673,603 S 1/2013 Suzuki et al.  
8,570,624 B2 \* 10/2013 Nagashima ..... 400/613

\* cited by examiner

*Primary Examiner* — Cathy Anne MacCormac

(74) *Attorney, Agent, or Firm* — Oliff PLC

(57) **CLAIM**

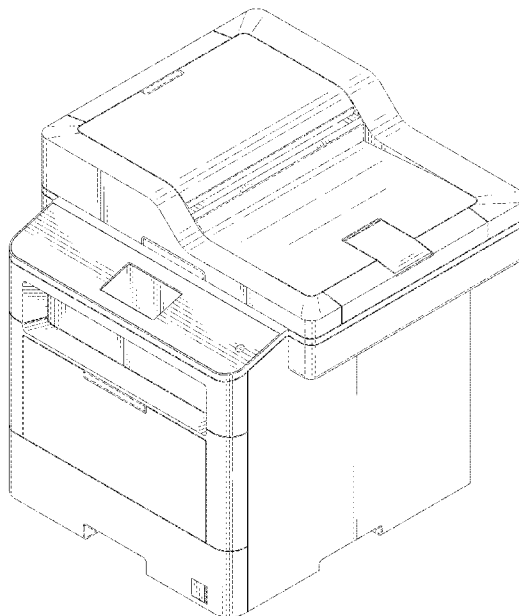
The ornamental design for a printer, as shown and described.

**DESCRIPTION**

FIG. 1 is a perspective view of a printer;  
FIG. 2 is a front view thereof;  
FIG. 3 is a top view thereof;  
FIG. 4 is a right-side view thereof;  
FIG. 5 is a left-side view thereof;  
FIG. 6 is a rear view thereof;  
FIG. 7 is a bottom view thereof;  
FIG. 8 is a perspective view of a second embodiment of the  
printer shown in FIG. 1;  
FIG. 9 is a front view of FIG. 8;  
FIG. 10 is a top view of FIG. 8;  
FIG. 11 is a right-side view of FIG. 8;  
FIG. 12 is a left-side view of FIG. 8;  
FIG. 13 is a rear view of FIG. 8; and,  
FIG. 14 is a bottom view of FIG. 8.

The broken lines depict environmental subject matter only and form no part of the claimed design. The dot-dash lines illustrate a boundary between claimed and unclaimed surfaces on FIGS. 1 and 8, depict environmental subject matter, and form no part of the claimed design.

**1 Claim, 14 Drawing Sheets**



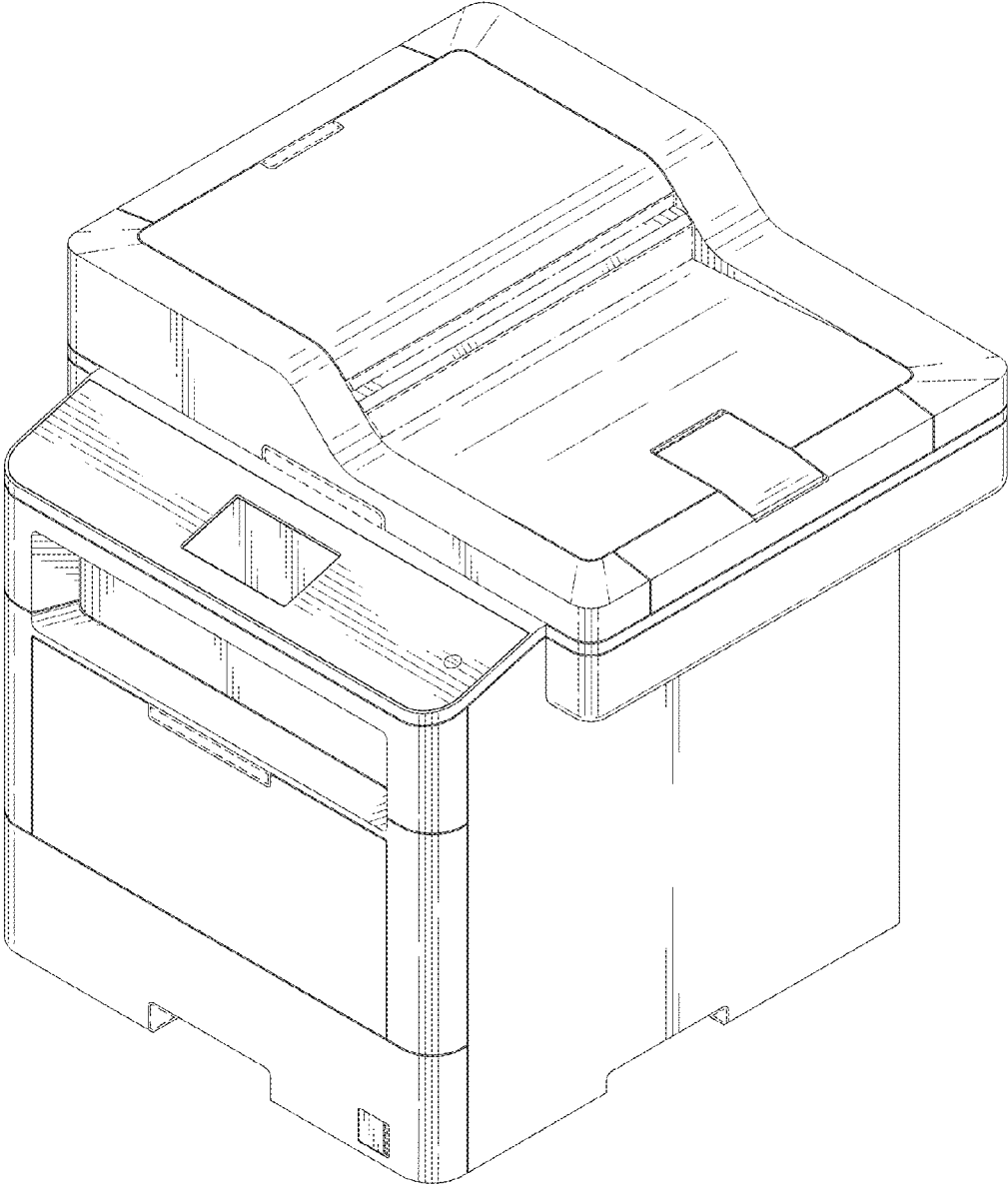


FIG. 1

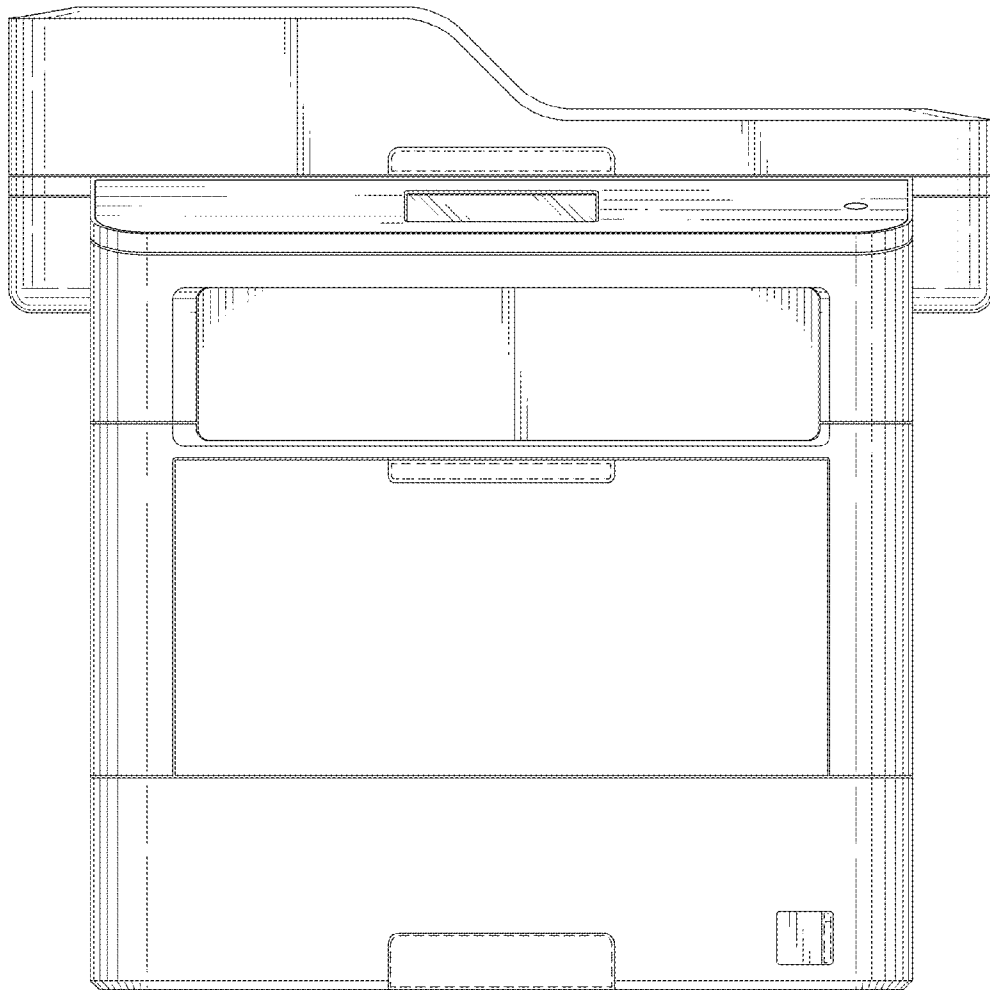


FIG. 2

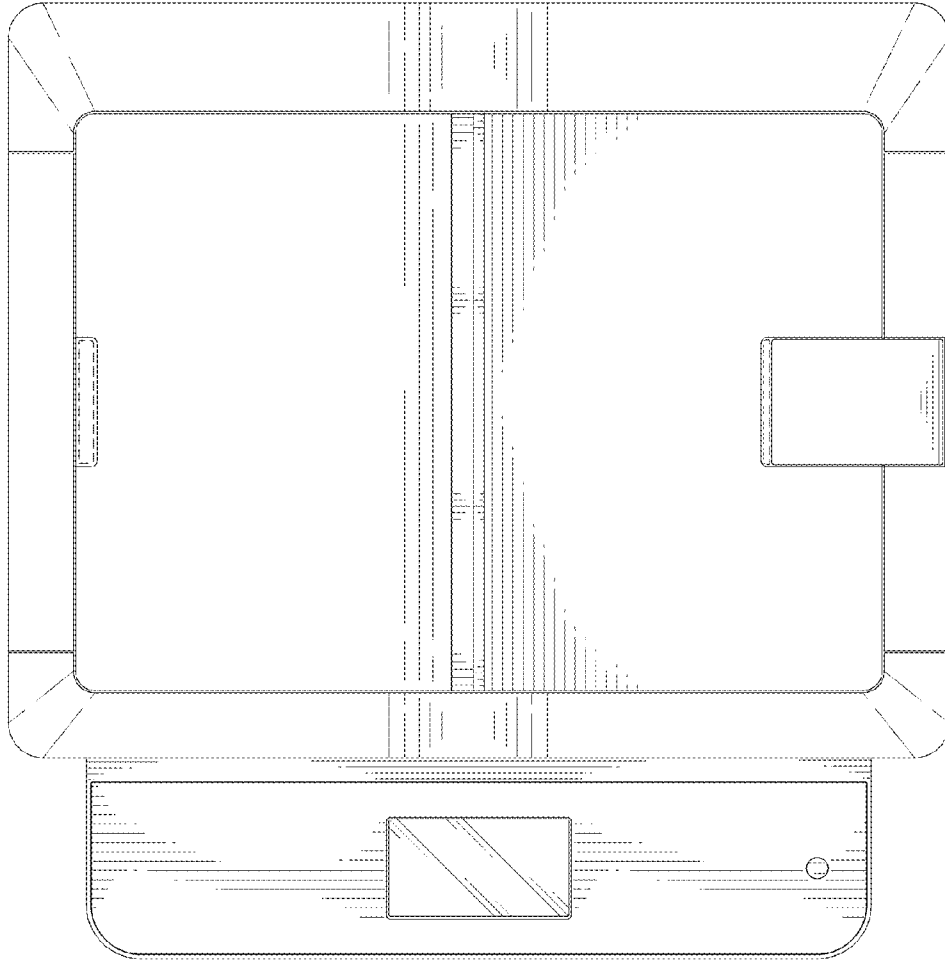


FIG. 3

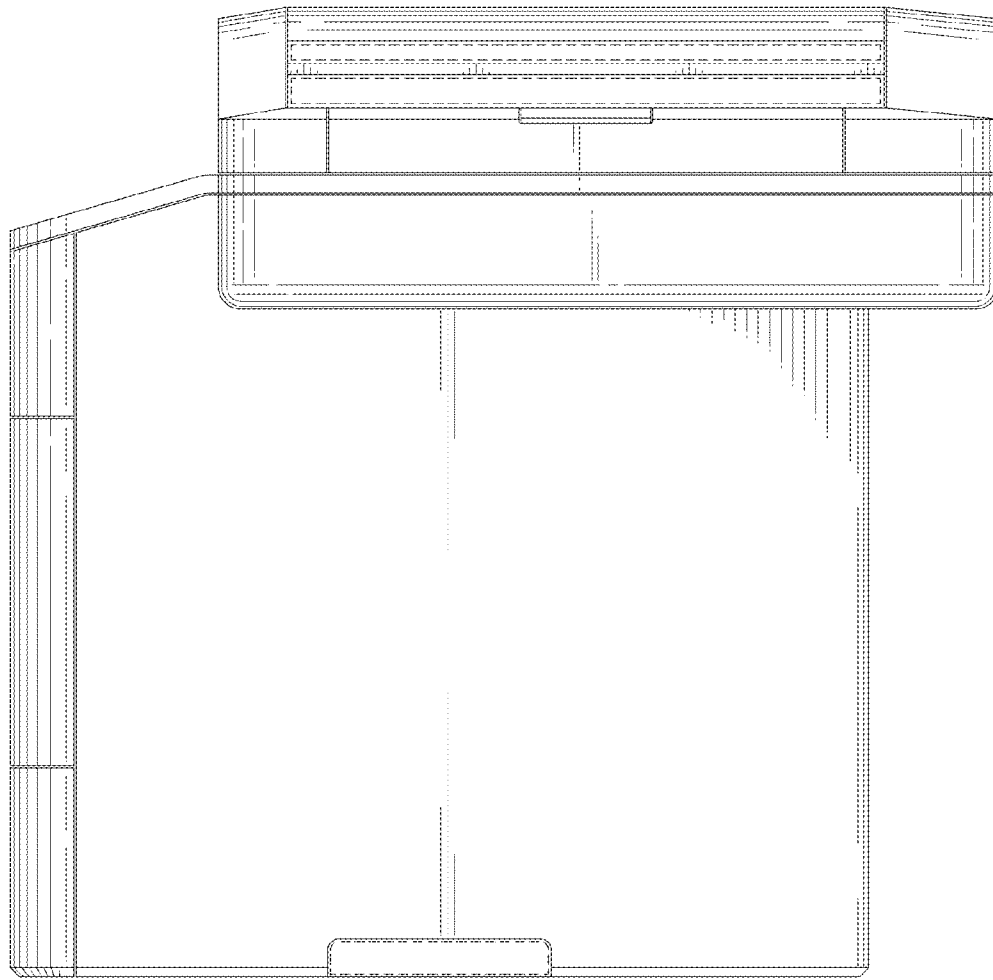


FIG. 4

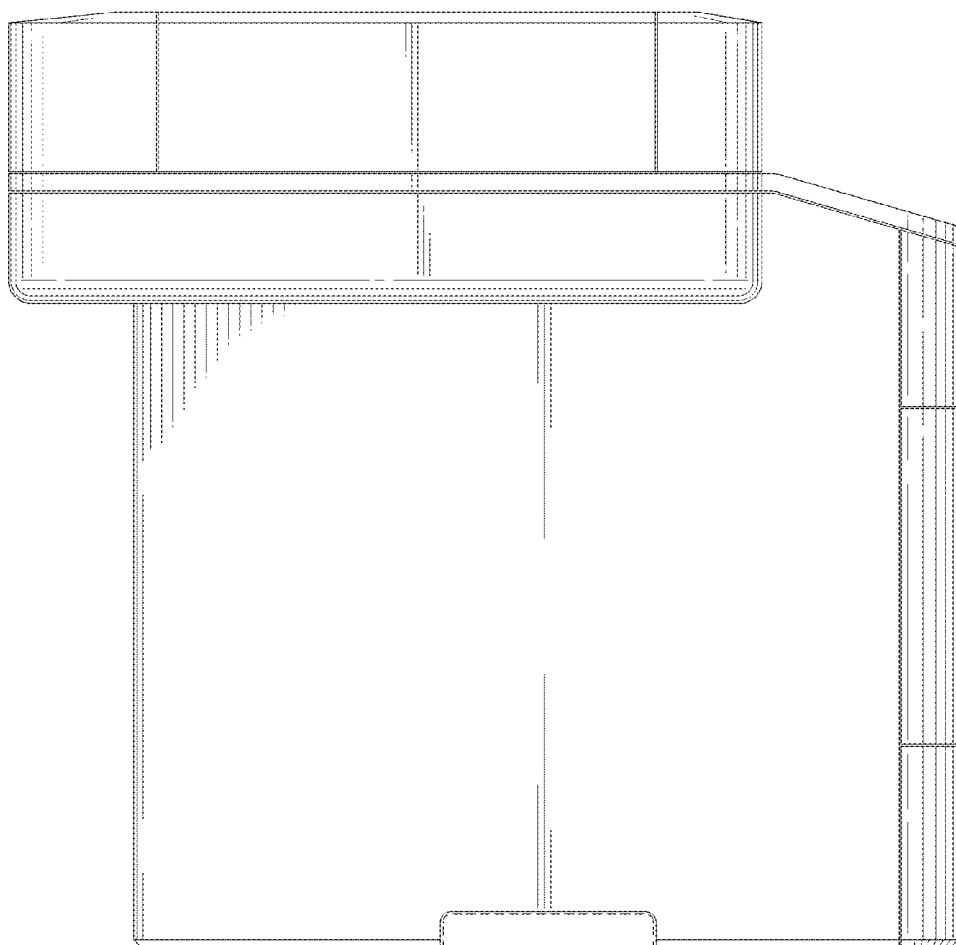


FIG. 5

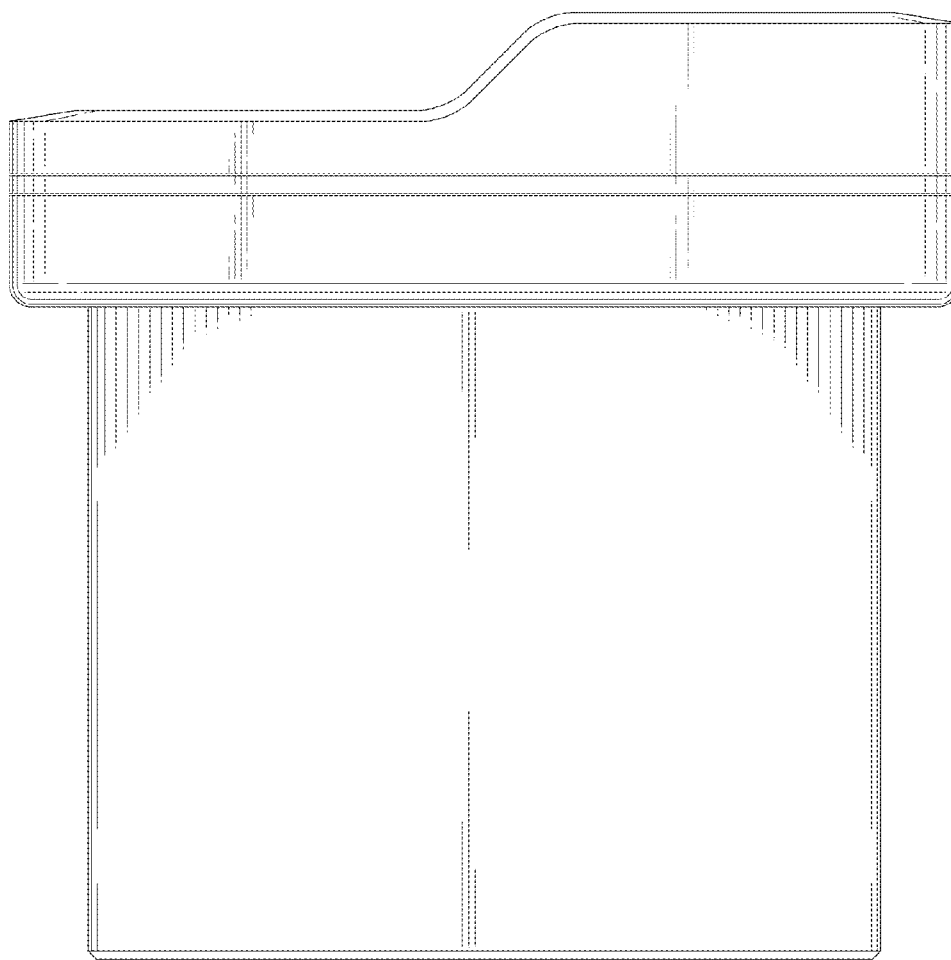


FIG. 6

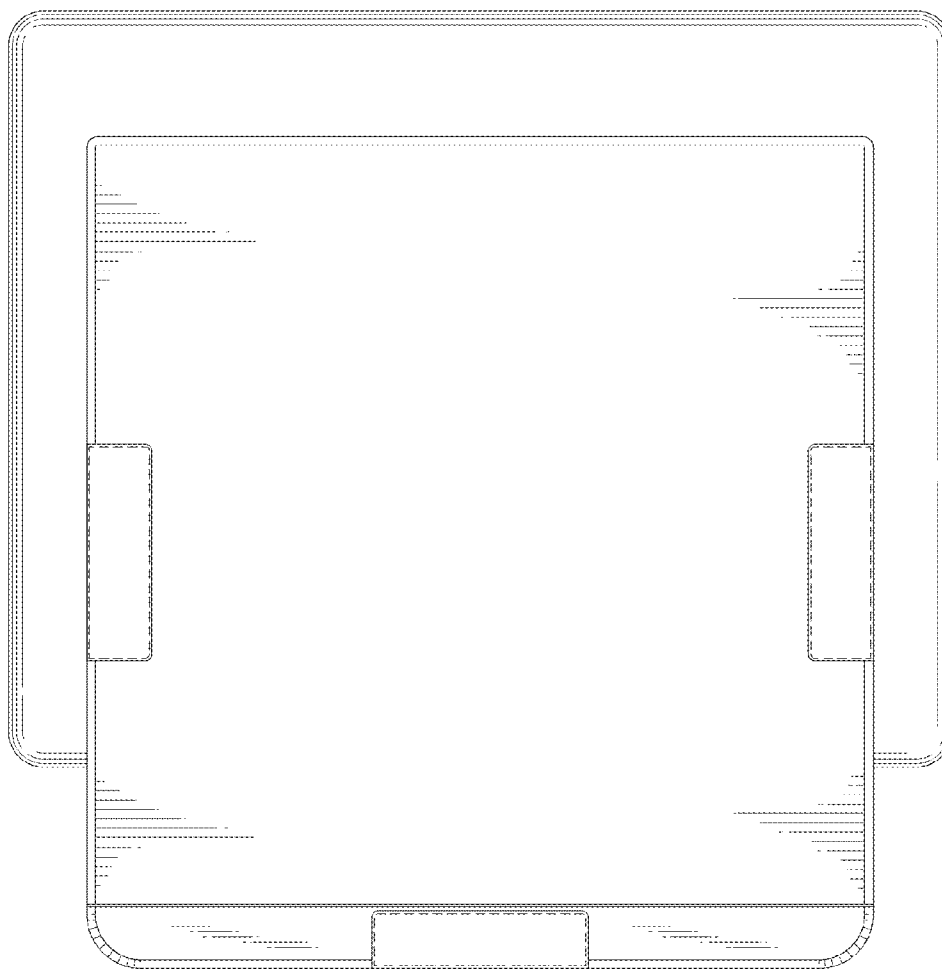


FIG. 7

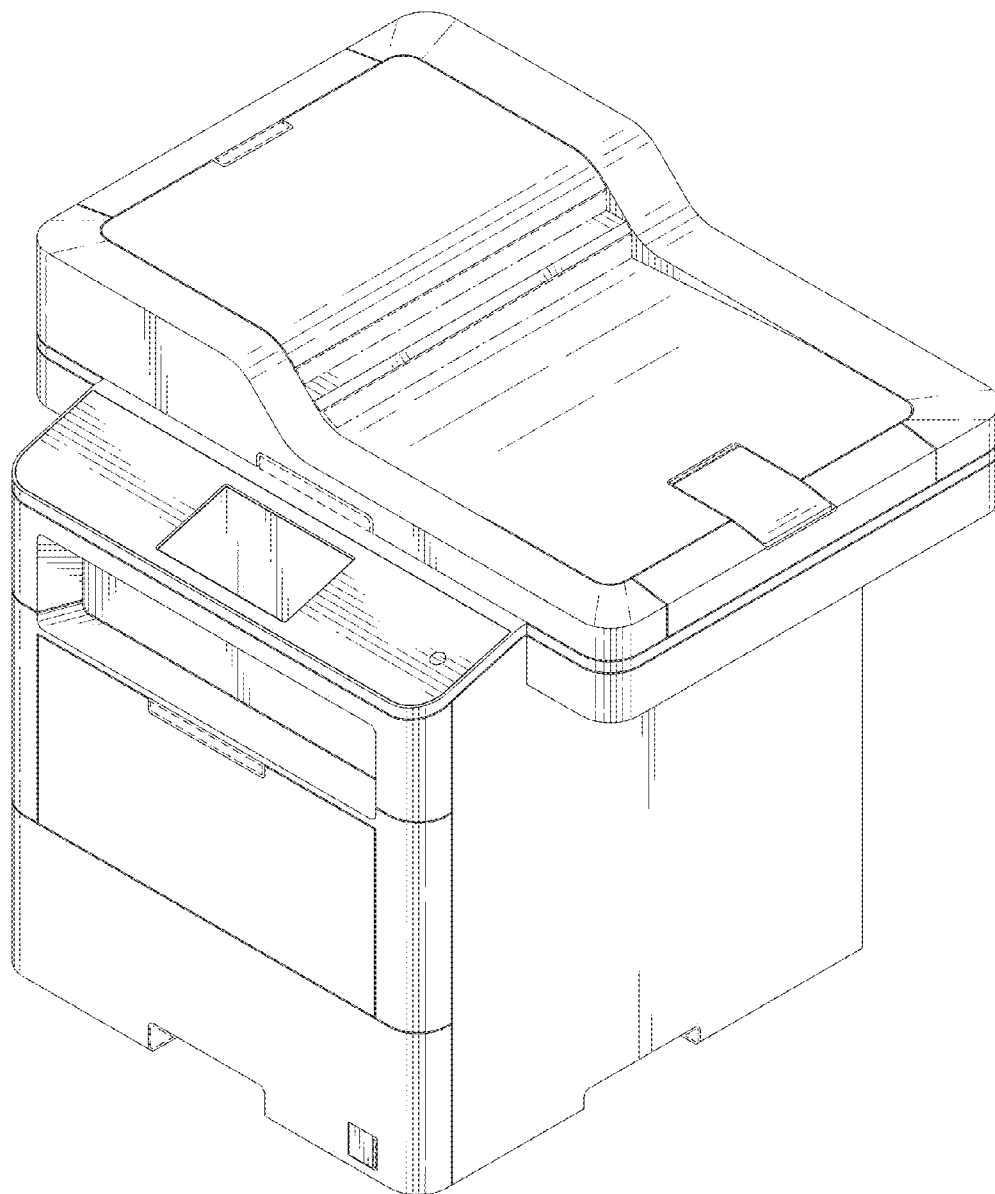


FIG. 8

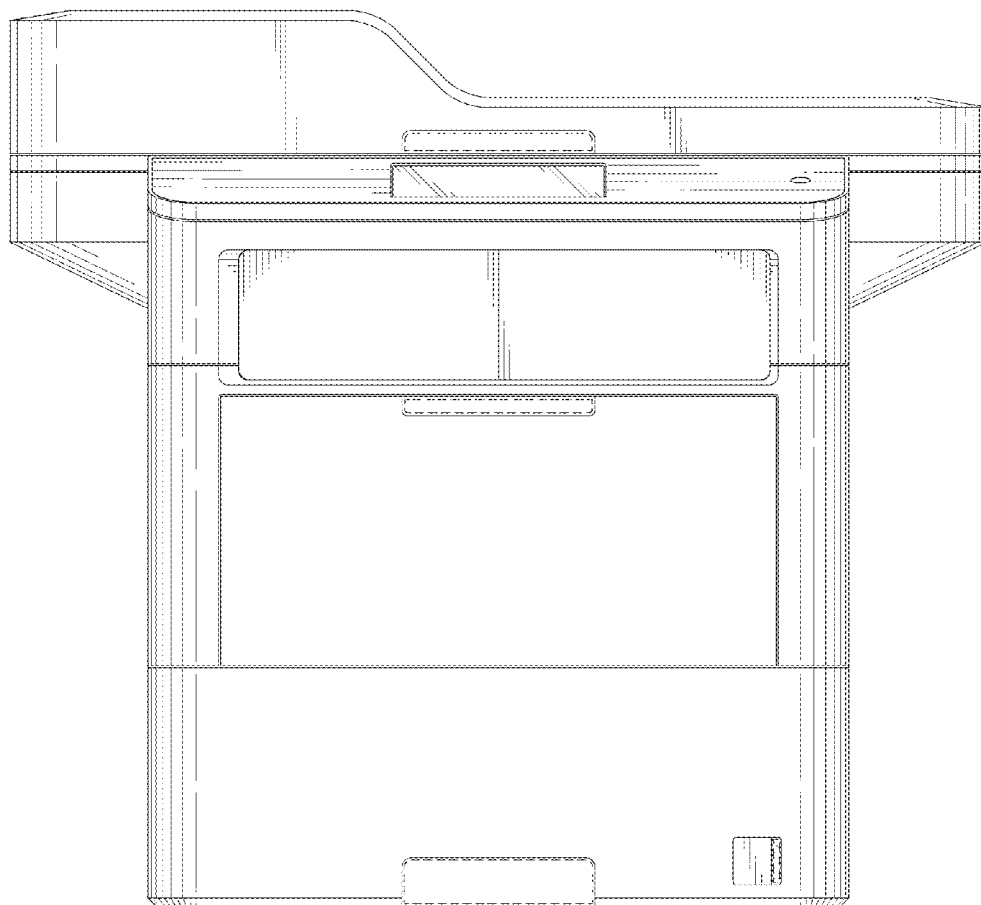


FIG. 9

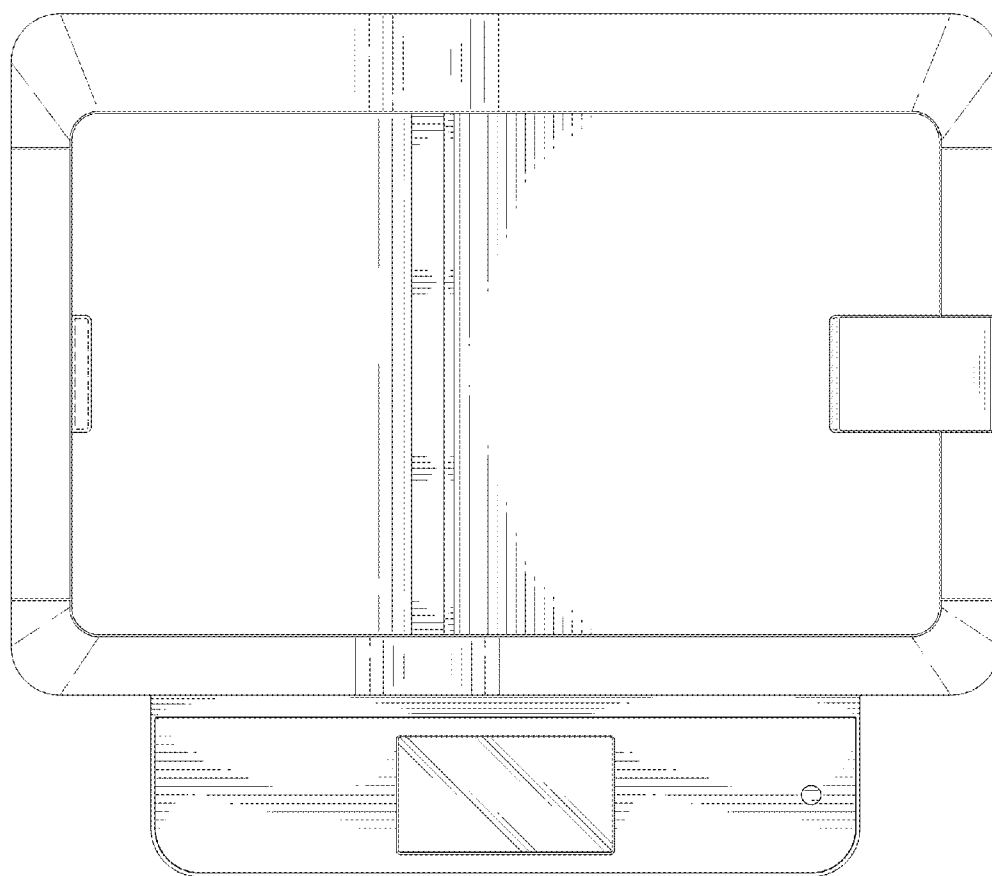


FIG. 10

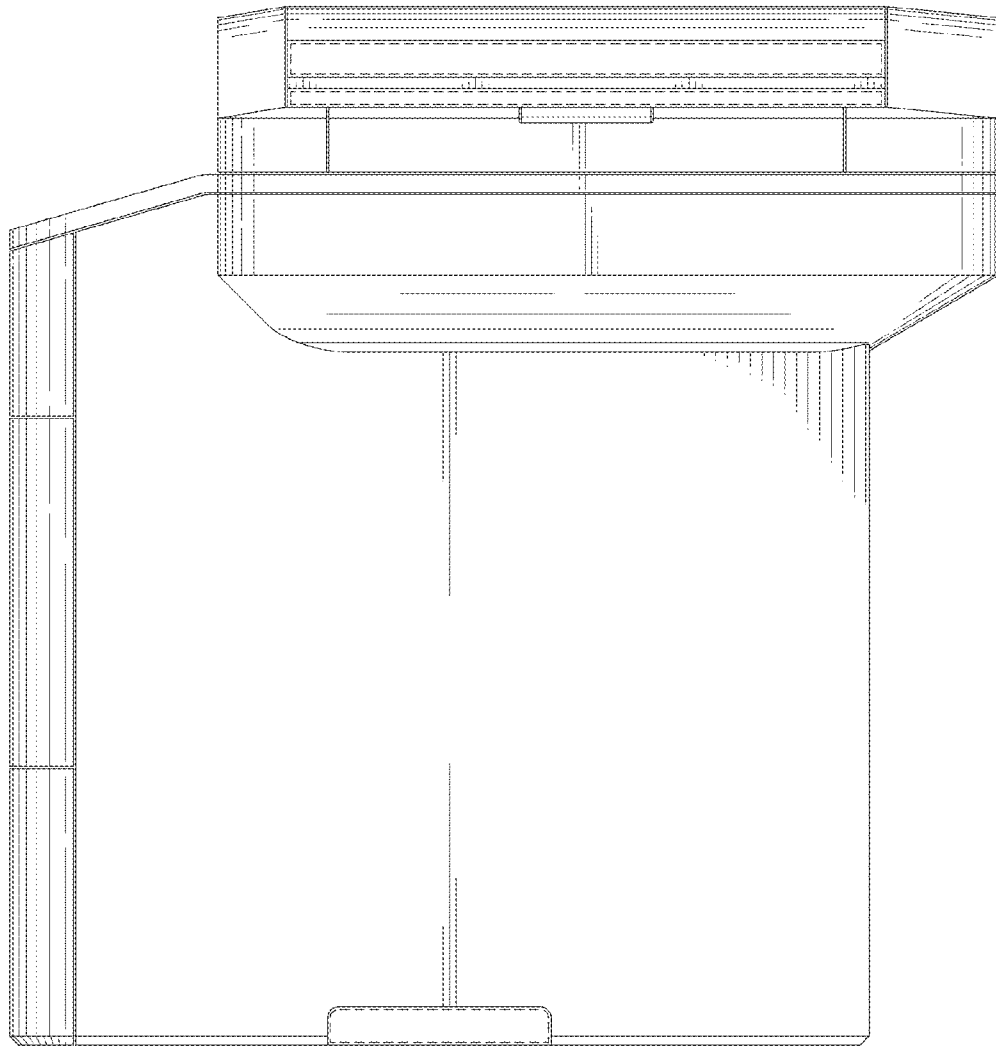


FIG. 11

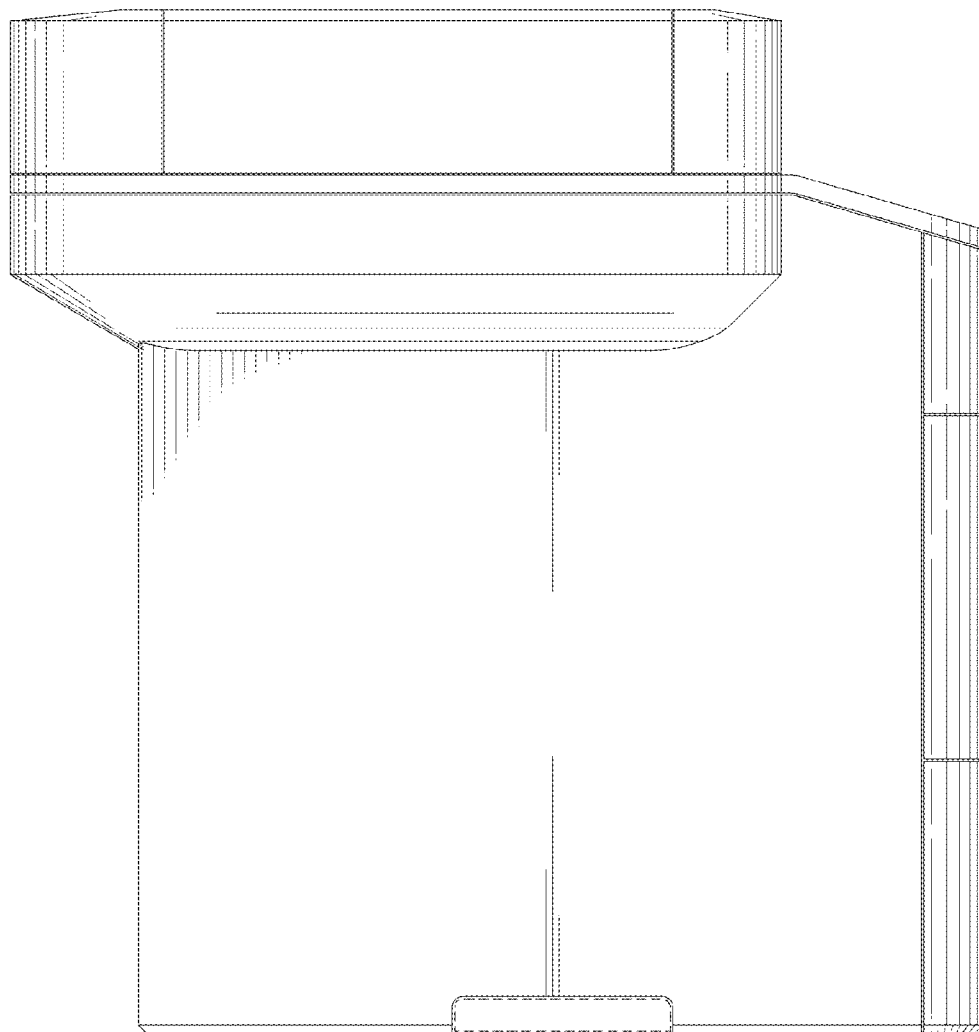


FIG. 12

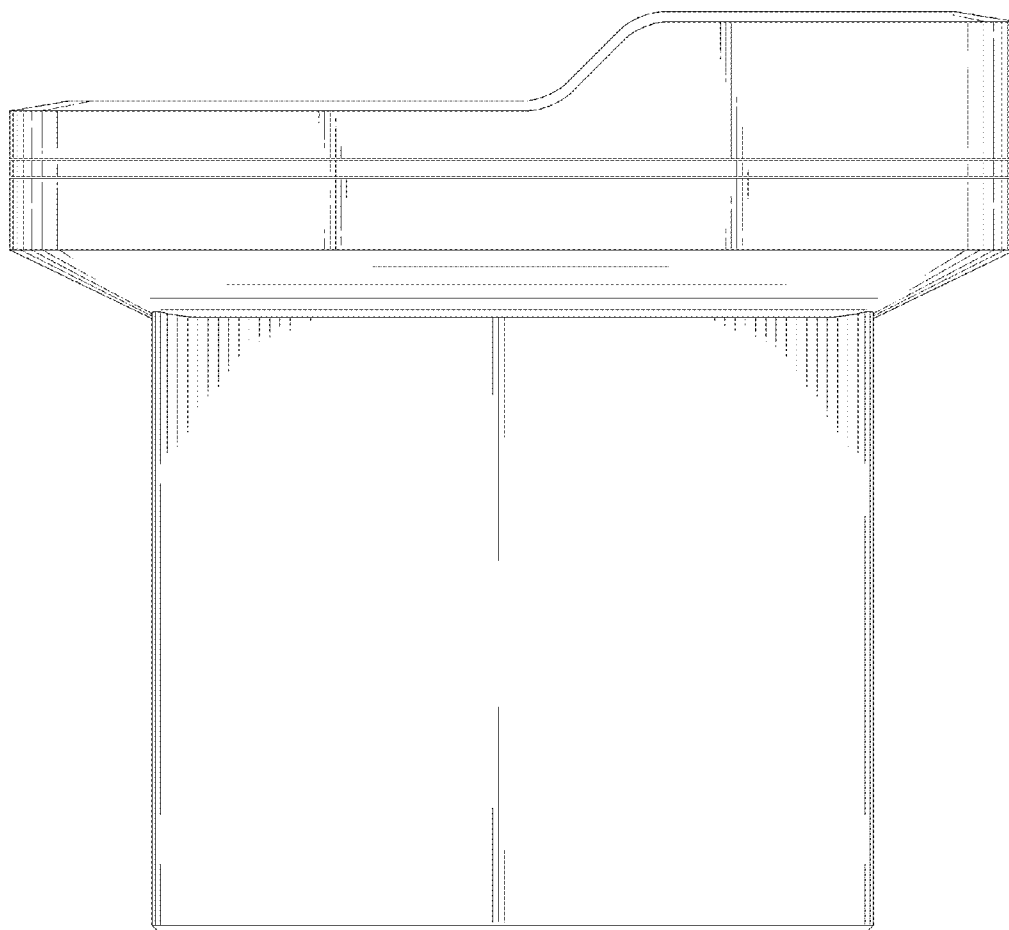


FIG. 13

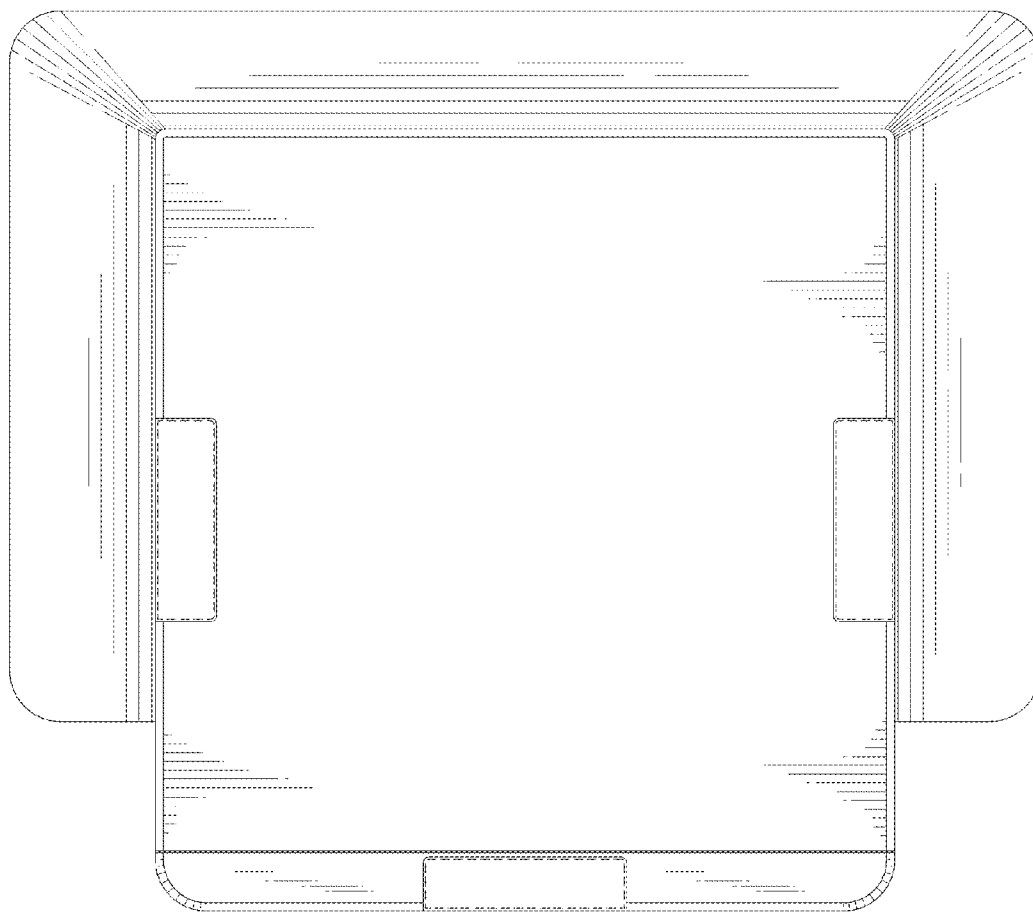


FIG. 14