



US00D763099S

(12) **United States Design Patent**
Billen

(10) **Patent No.:** **US D763,099 S**

(45) **Date of Patent:** **** Aug. 9, 2016**

- (54) **VEHICLE CARTON**
- (71) Applicant: **Kid Stuff Marketing, Inc.**, Topeka, KS (US)
- (72) Inventor: **William D. Billen**, Topeka, KS (US)
- (73) Assignee: **Kid Stuff Marketing, Inc.**, Topeka, KS (US)
- (**) Term: **14 Years**

4,661,082 A	4/1987	Sheffer	
4,804,133 A	2/1989	Kiyokane	
5,454,508 A	10/1995	Billen	
D374,175 S *	10/1996	Tesar	D9/675
5,622,256 A	4/1997	Tesar	
D386,399 S *	11/1997	Stokely	D9/675
D408,211 S *	4/1999	Cordell	D9/675
D531,516 S *	11/2006	Sellars	D9/675
D534,810 S *	1/2007	Sellars	D9/675
D536,260 S *	2/2007	Young	D9/675
D538,176 S *	3/2007	Wilburn	D9/675
D547,396 S	7/2007	Yaguchi	

(Continued)

(21) Appl. No.: **29/514,599**

(22) Filed: **Jan. 14, 2015**

(51) **LOC (10) Cl.** **09-01**

(52) **U.S. Cl.**

USPC **D9/675; D21/551**

(58) **Field of Classification Search**

USPC D3/270, 271.1-271.4; D7/514-520,
D7/599, 604, 613, 619.2, 623, 628;
D9/600, 572-577, 414, 418, 430-434;
206/457, 459.5, 527; 215/387-388,
215/381-384, 400; 229/150, 153, 116.4;
220/890; D21/551

CPC B25D 5/4258; B25D 81/60; B25D 81/365;
B25D 81/366; B25D 81/368; B25D 2203/00;
B25D 2203/02; A63H 33/16

See application file for complete search history.

(56)

References Cited

U.S. PATENT DOCUMENTS

979,812 A	12/1910	Warren	
1,330,654 A	2/1920	Alexander	
1,547,176 A	7/1925	Lazaron	
1,553,793 A	9/1925	Rozowsky	
2,118,821 A	5/1938	Ringler	
2,823,844 A	2/1958	Frankenstein	
3,224,660 A	12/1965	Willis	
D214,262 S *	5/1969	Paige	D9/675
4,055,250 A	10/1977	Mayhew	
D256,670 S *	9/1980	Fish	D9/675
4,643,349 A	2/1987	Sheffer	
4,646,959 A	3/1987	Sheffer	

OTHER PUBLICATIONS

40th Anniversary Ford Mustang Classic Cruisers Carton, dated Apr. 23, 2004 www.toydirectory.com/month/toyshow/toyshow.asp?id=94.*

2007 QSR/FPI Foodservice Packaging Awards, date Oct. 23, 2007. www.slideshare.net/purdy/2007-qsr/fpi-foodservice-packaging-awards.*

Daniel Schmitt & Co. Classic Car Gallery, www.schmitt.com/inventory/ds-1958-bonneville-convertible/.

Primary Examiner — Sandra Morris

(74) *Attorney, Agent, or Firm* — Erickson Kernell IP, LLC

(57)

CLAIM

The ornamental design for a vehicle carton, as shown and described.

DESCRIPTION

FIG. 1 flat unfolded view of an ornamental design for a vehicle carton;

FIG. 2 is an assembled top view thereof;

FIG. 3 is an assembled bottom view thereof;

FIG. 4 is an assembled side view thereof;

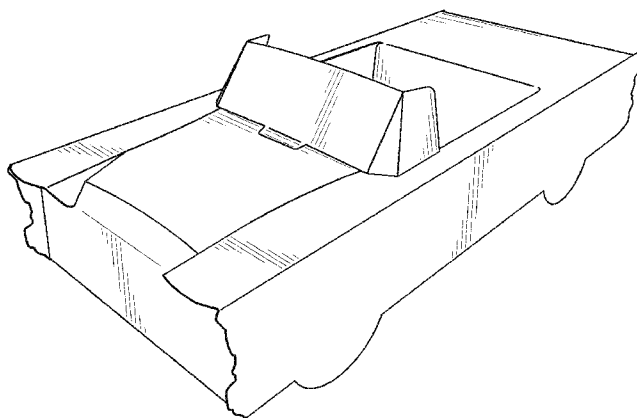
FIG. 5 is an assembled front end view thereof;

FIG. 6 is an assembled rear end view thereof; and,

FIG. 7 is a perspective view thereof.

The broken lines in FIG. 1 depict fold lines illustrated in the other figures as solid lines when folded.

1 Claim, 3 Drawing Sheets



US D763,099 S

Page 2

(56)

References Cited

U.S. PATENT DOCUMENTS

7,317,573 B2 1/2008 Billen
7,487,903 B2 2/2009 Billen

7,654,441 B2 2/2010 Billen
D638,305 S * 5/2011 Brogan D9/675
8,511,537 B2 8/2013 Billen

* cited by examiner

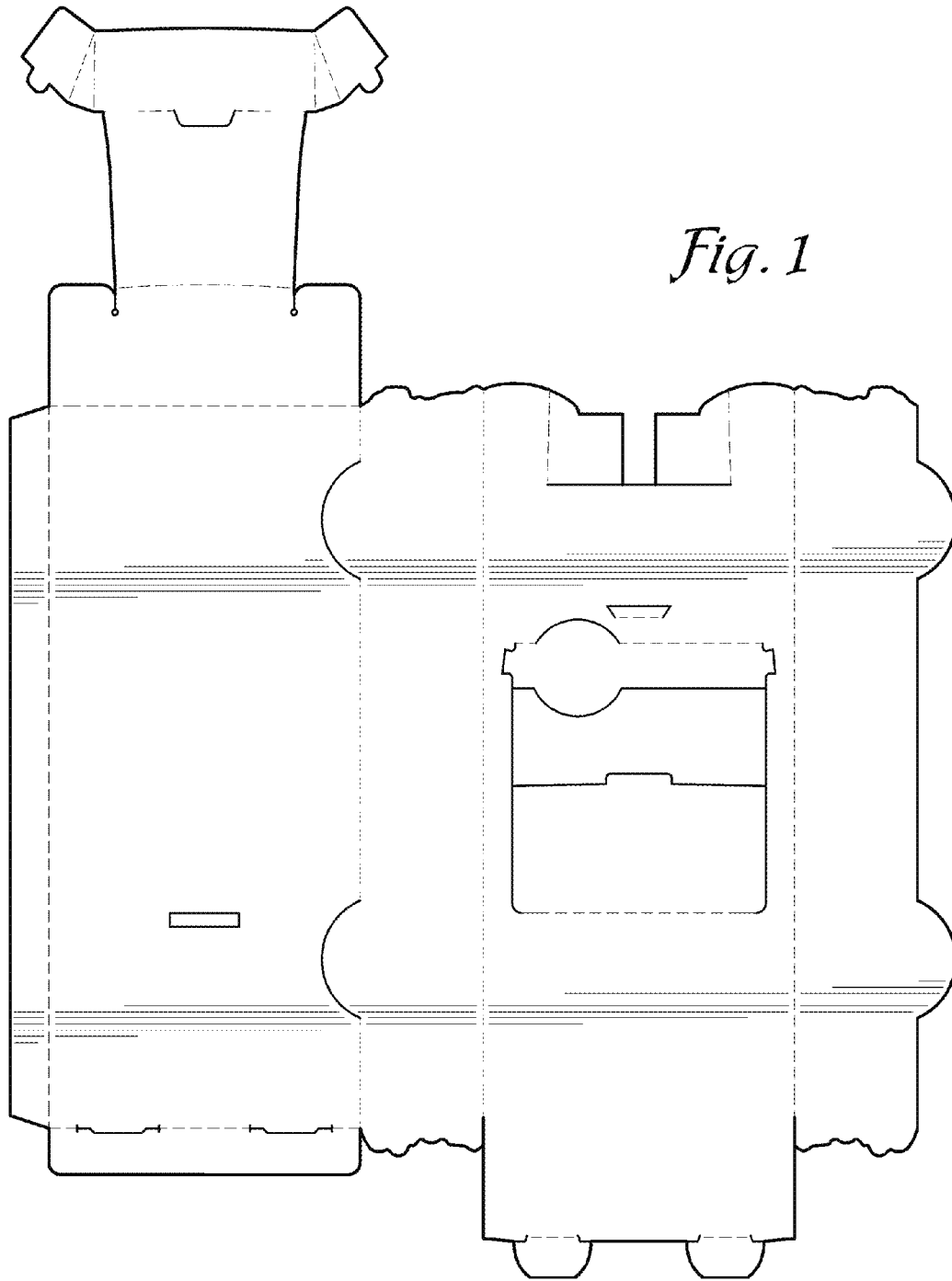


Fig. 1

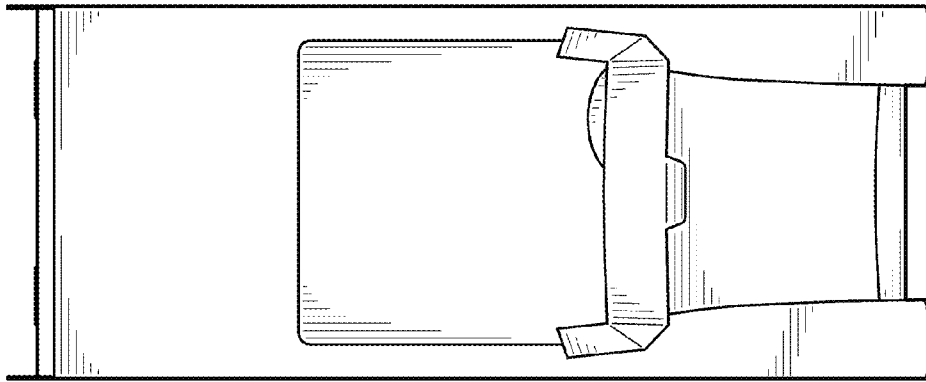


Fig. 2

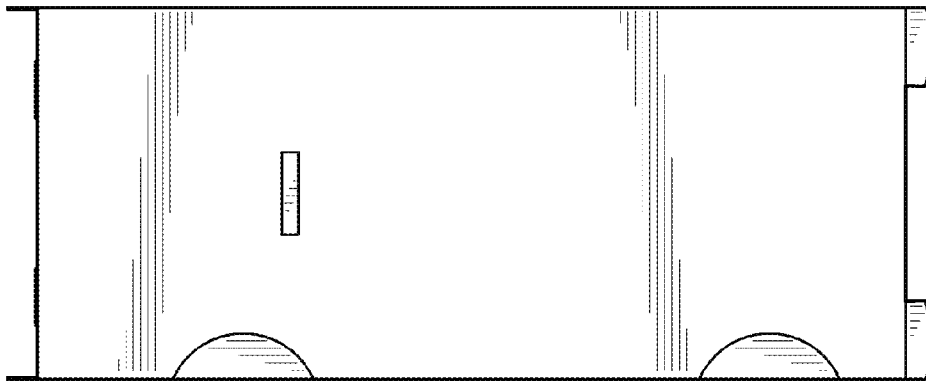


Fig. 3

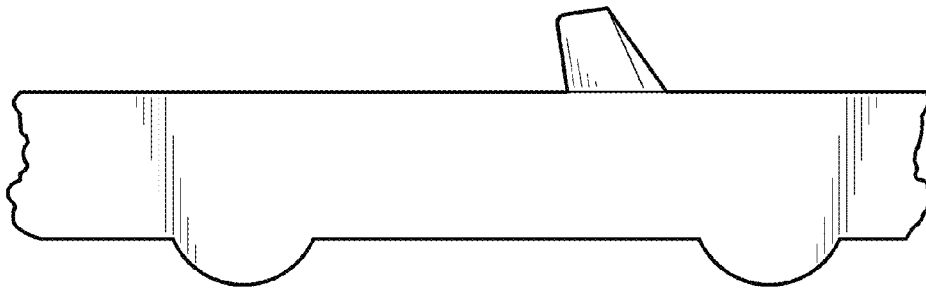


Fig. 4

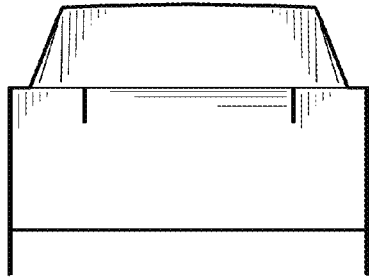


Fig. 5

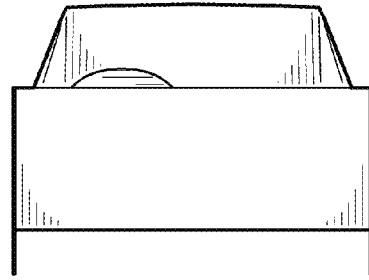


Fig. 6

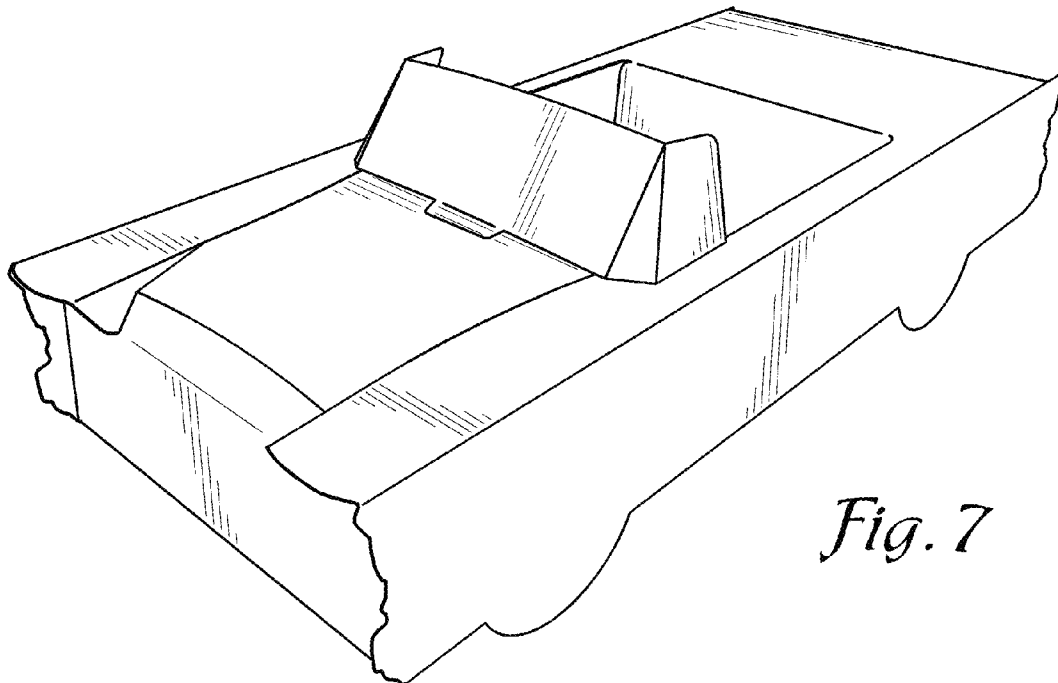


Fig. 7