

[54] **CORNER PIECE FOR A FRAME**
[76] **Inventor: Cordell Stewart, 21135 McCourtney Rd., Grass Valley, Calif. 95949**

2,995,863 8/1961 Bright D8/403
3,728,833 4/1973 Grossman 52/716
4,621,879 11/1986 Schneider 403/403
4,636,105 1/1987 Johansson 403/205
4,714,367 12/1987 Baus 403/403

[**] **Term: 14 Years**

Primary Examiner—B. J. Bullock
Assistant Examiner—Celia A. Murphy
Attorney, Agent, or Firm—Dominick Nardelli

[21] **Appl. No.: 851,681**

[22] **Filed: Apr. 14, 1986**

[57] **CLAIM**

[52] **U.S. Cl. D6/300; D8/382**

The ornamental design for a corner piece for a frame, as shown and described.

[58] **Field of Search D25/119, 120, 121, 122, D25/123, 124, 125; 40/154, 152; 52/716, 722, 727, 738, 739; 403/205, 286, 403; D6/300; D8/382**

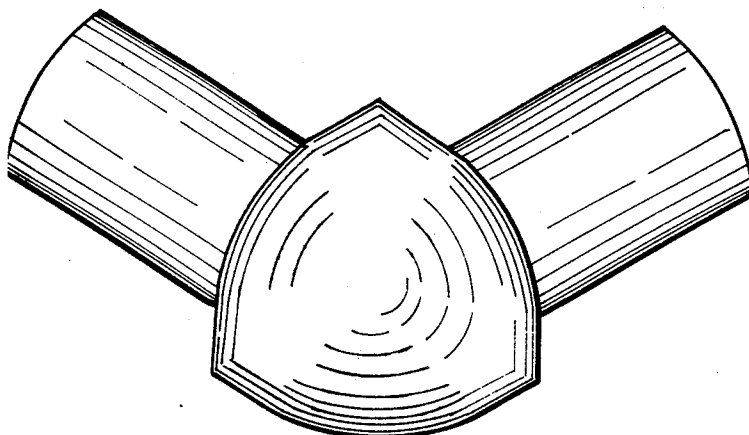
DESCRIPTION

[56] **References Cited**

FIG. 1 is a top front perspective view of the corner piece for a frame showing my new design.
FIG. 2 is a left side elevation thereof.
FIG. 3 is a rear view elevation thereof.
FIG. 4 is a right side elevation thereof.
FIG. 5 is a bottom view thereof.

U.S. PATENT DOCUMENTS

D. 223,895 6/1972 Berchert D8/403
2,657,439 11/1953 Levine 403/205



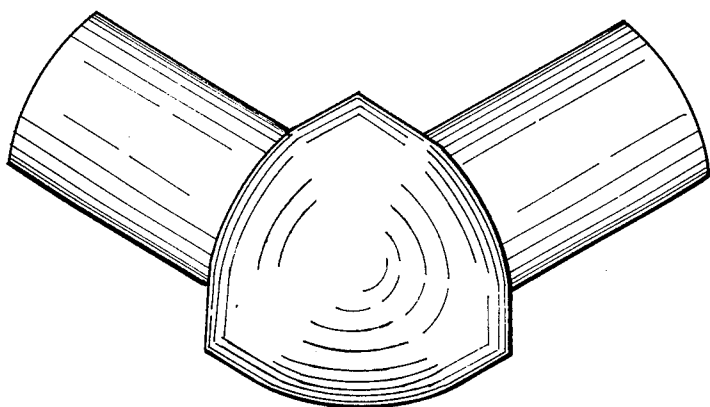


Fig. 1

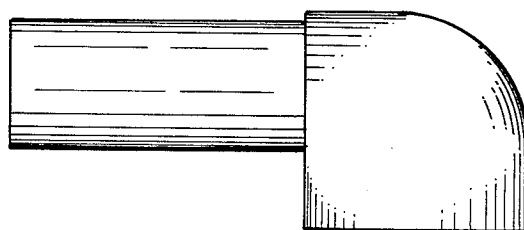


Fig. 2

Fig. 3

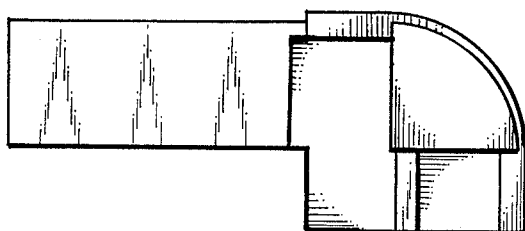


Fig. 5

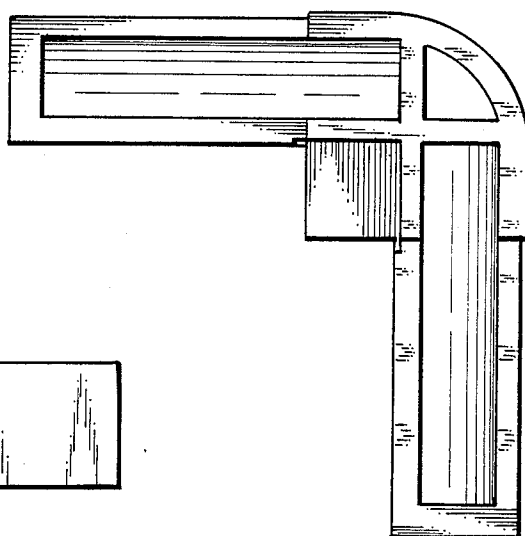


Fig. 4

