



US00D855200S

(12) **United States Design Patent**
LiCalzi et al.

(10) **Patent No.:** **US D855,200 S**

(45) **Date of Patent:** **** Jul. 30, 2019**

(54) **SYSTEM INCLUDING MULTIPLE INSTRUMENT MODULES AND ARRANGEMENT THEREOF**

(57) **CLAIM**

We claim the ornamental design for an system including multiple instrument modules and arrangement thereof, as shown and described.

(71) Applicant: **Siemens Healthcare Diagnostics Inc.**, Tarrytown, NY (US)

(72) Inventors: **Daniel LiCalzi**, New York, NY (US); **Youngsang Lee**, Flushing, NY (US); **Robert Faranda**, Boxborough, MA (US); **Richard Watson**, Norwell, MA (US); **Justin Cumming**, Topsfield, MA (US); **Scott Salmon**, Tenafly, NJ (US); **Josh Hartl**, Philadelphia, PA (US)

DESCRIPTION

FIG. 1 is a front perspective view of a system including multiple instrument modules and arrangement thereof in accordance with a first embodiment; FIG. 2 is a rear perspective view of a system including multiple instrument modules and arrangement thereof; FIG. 3 is a front elevational view of a system including multiple instrument modules and arrangement thereof; FIG. 4 is a rear elevational view of a system including multiple instrument modules and arrangement thereof; FIG. 5 is a left side elevational view of a system including multiple instrument modules and arrangement thereof; FIG. 6 is a right side elevational view of a system including multiple instrument modules and arrangement thereof; FIG. 7 is a top view of a system including multiple instrument modules and arrangement thereof; FIG. 8 is a bottom view of a system including multiple instrument modules and arrangement thereof; FIG. 9 is a front perspective view of a system including multiple instrument modules and arrangement thereof in accordance with a second embodiment; FIG. 10 is a front elevational view of a system including multiple instrument modules and arrangement thereof; FIG. 11 a rear elevational view of a system including multiple instrument modules and arrangement thereof; FIG. 12 is a left side elevational view of a system including multiple instrument modules and arrangement thereof; FIG. 13 is a right side elevational view of a system including multiple instrument modules and arrangement thereof; FIG. 14 is a top view of a system including multiple instrument modules and arrangement thereof; and, FIG. 15 is a bottom view of a system including multiple instrument modules and arrangement thereof.

(73) Assignee: **Siemens Healthcare Diagnostics Inc.**, Tarrytown, NY (US)

(**) Term: **15 Years**

(21) Appl. No.: **29/635,487**

(22) Filed: **Jan. 31, 2018**

Related U.S. Application Data

(62) Division of application No. 29/569,424, filed on Jun. 27, 2016, now Pat. No. Des. 816,859.

(51) **LOC (11) Cl.** **24-01**

(52) **U.S. Cl.**
USPC **D24/216**

(58) **Field of Classification Search**
USPC D24/216, 111, 127, 107, 169, 186, 217, D24/219, 223–224, 231–234; D10/46,
(Continued)

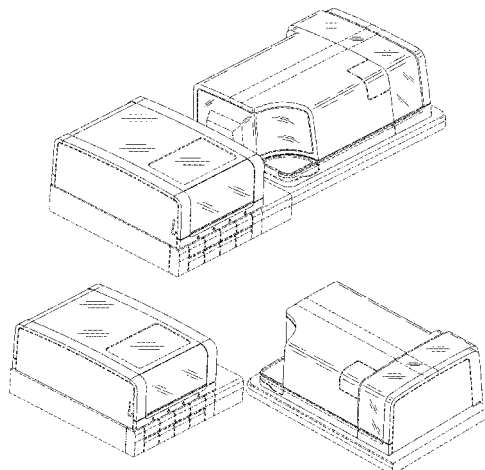
(56) **References Cited**

U.S. PATENT DOCUMENTS

D645,367 S * 9/2011 Hayashi D10/81
D669,189 S * 10/2012 Liu D24/216
(Continued)

Primary Examiner — Wan Laymon
Assistant Examiner — Mark Booker

(Continued)



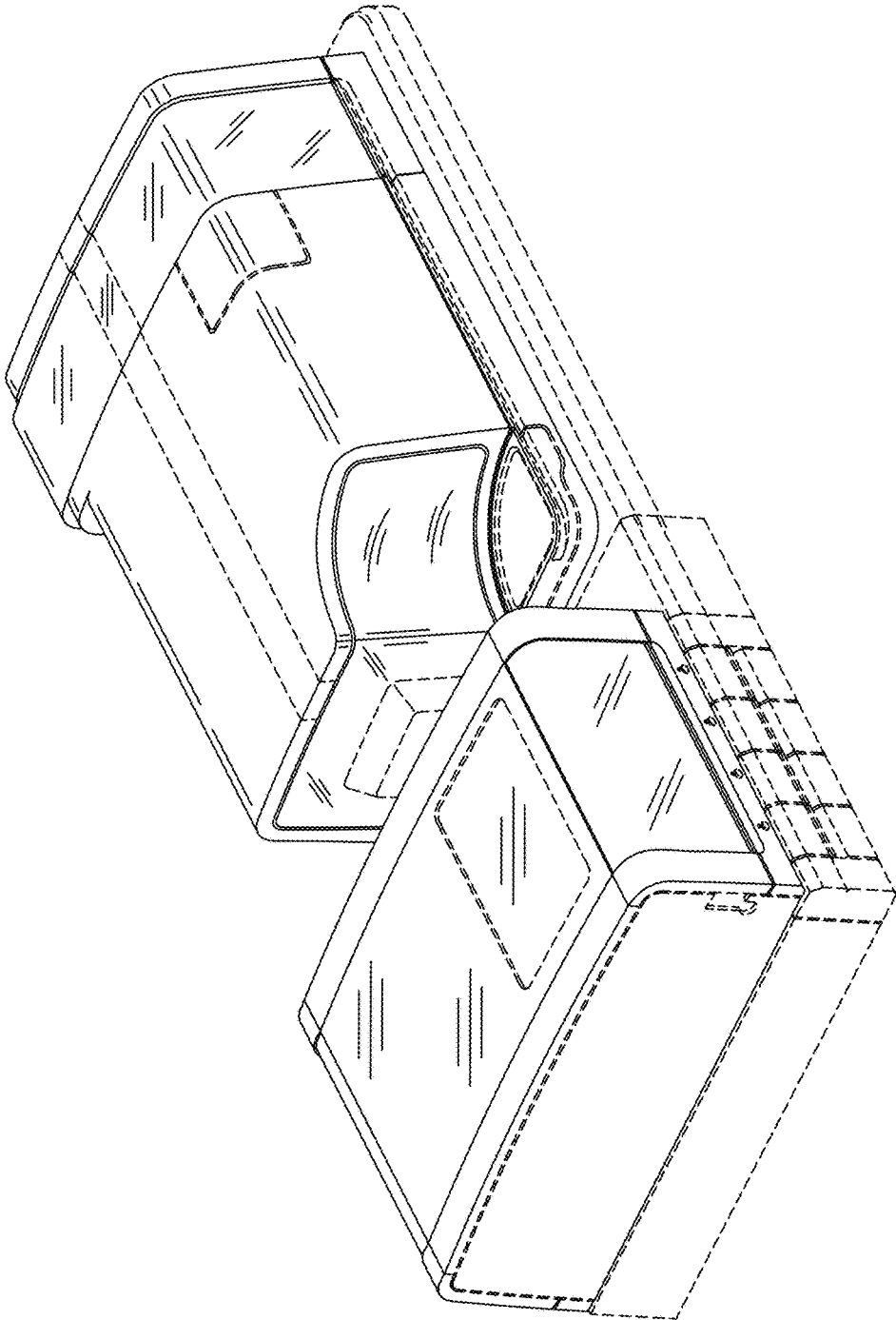


FIG. 1

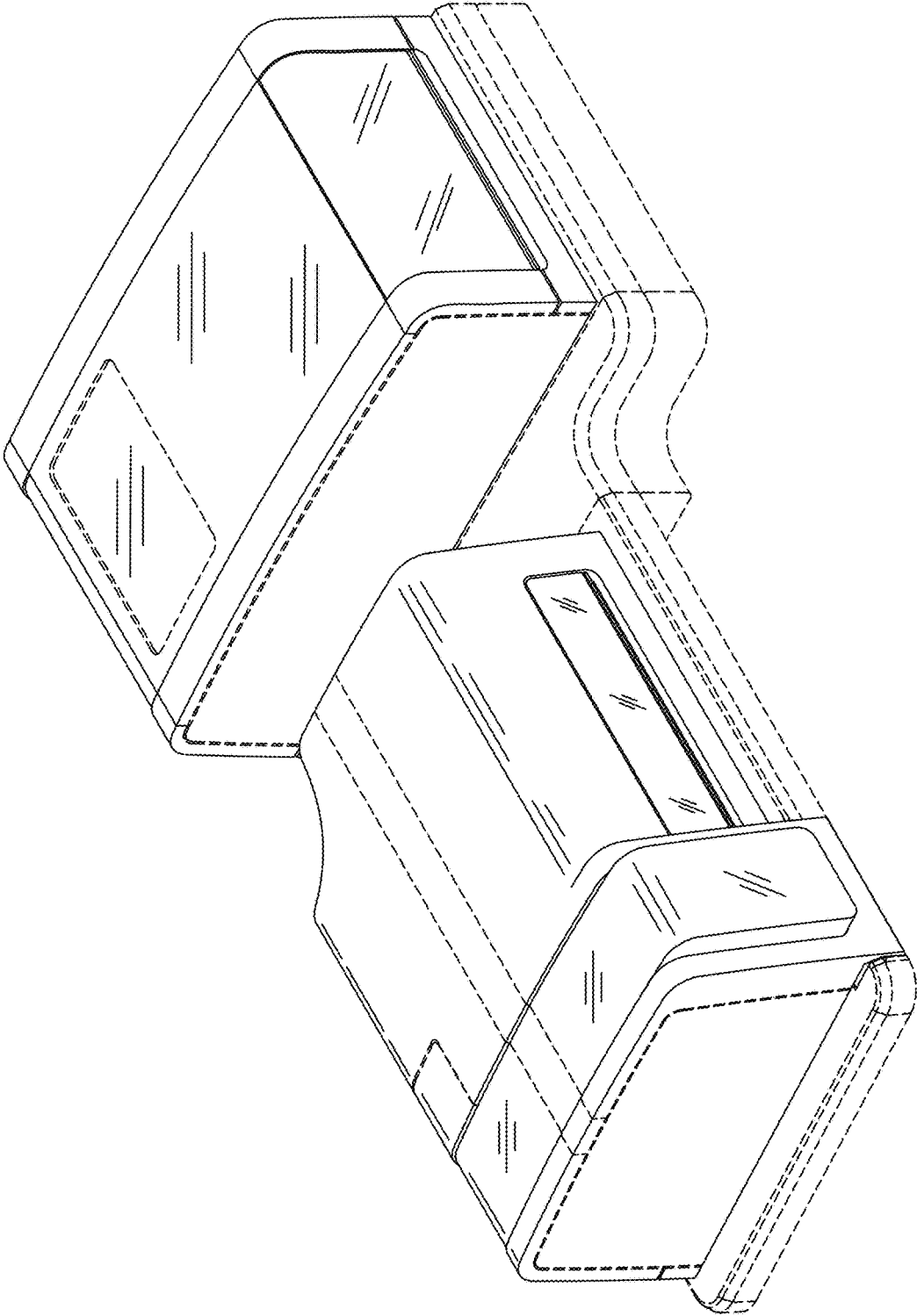


FIG. 2

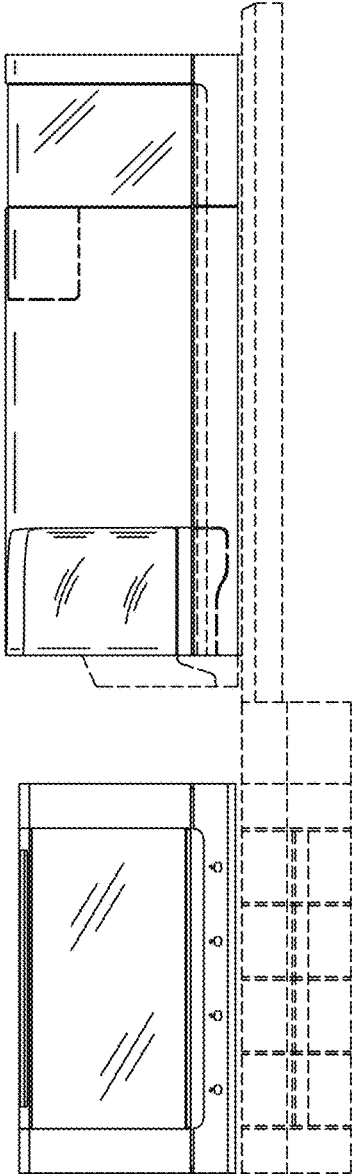


FIG. 3

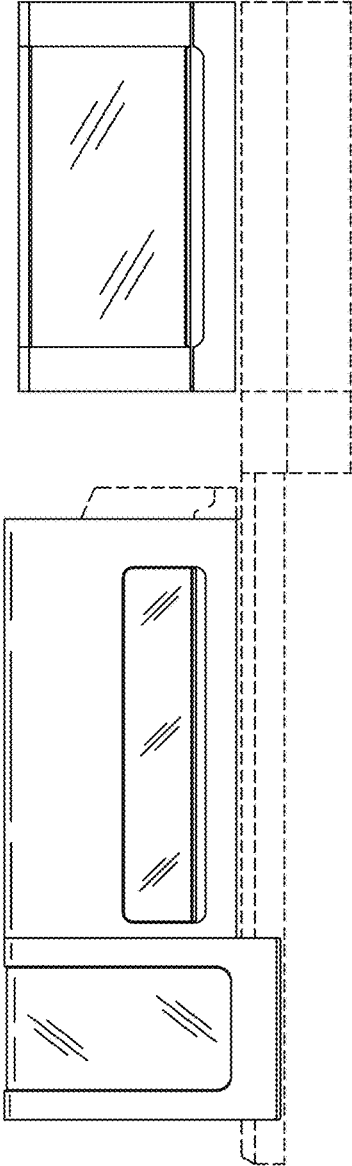


FIG. 4

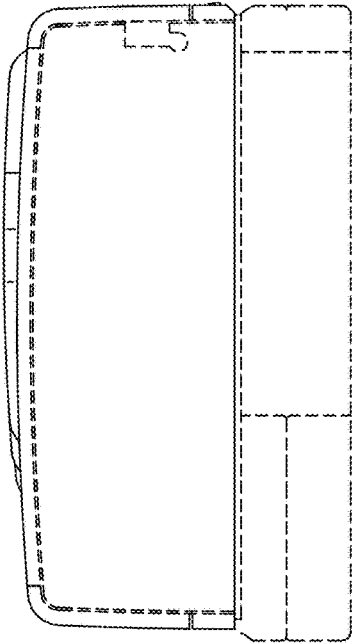


FIG. 5

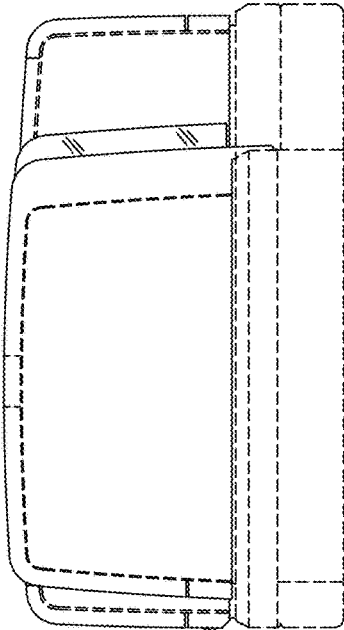


FIG. 6

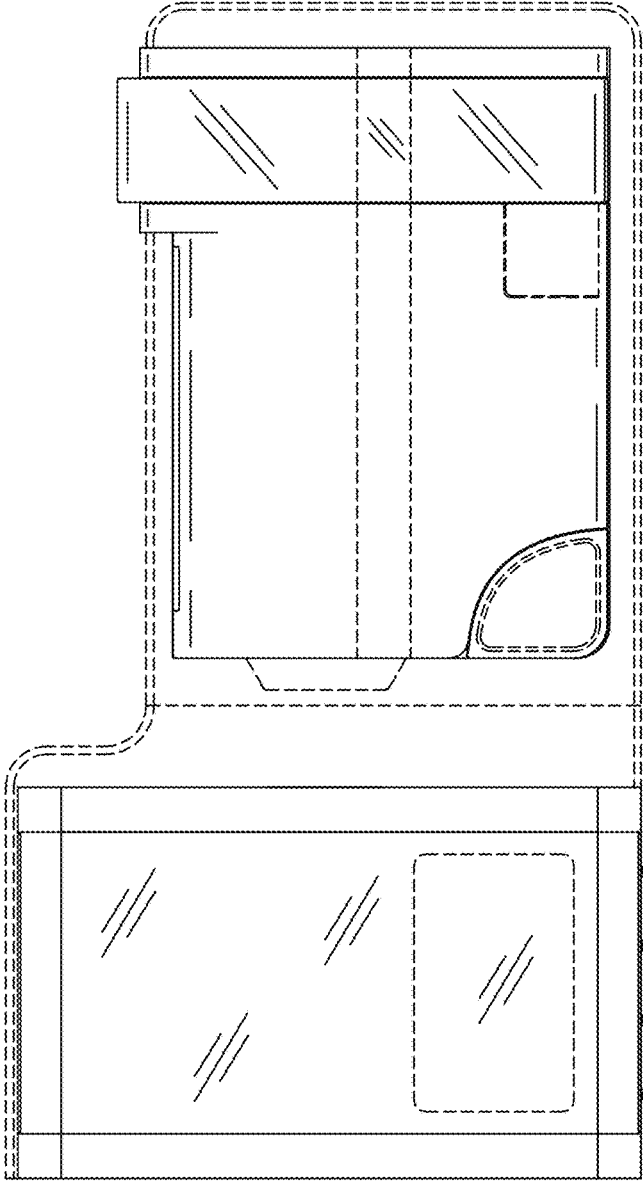


FIG. 7

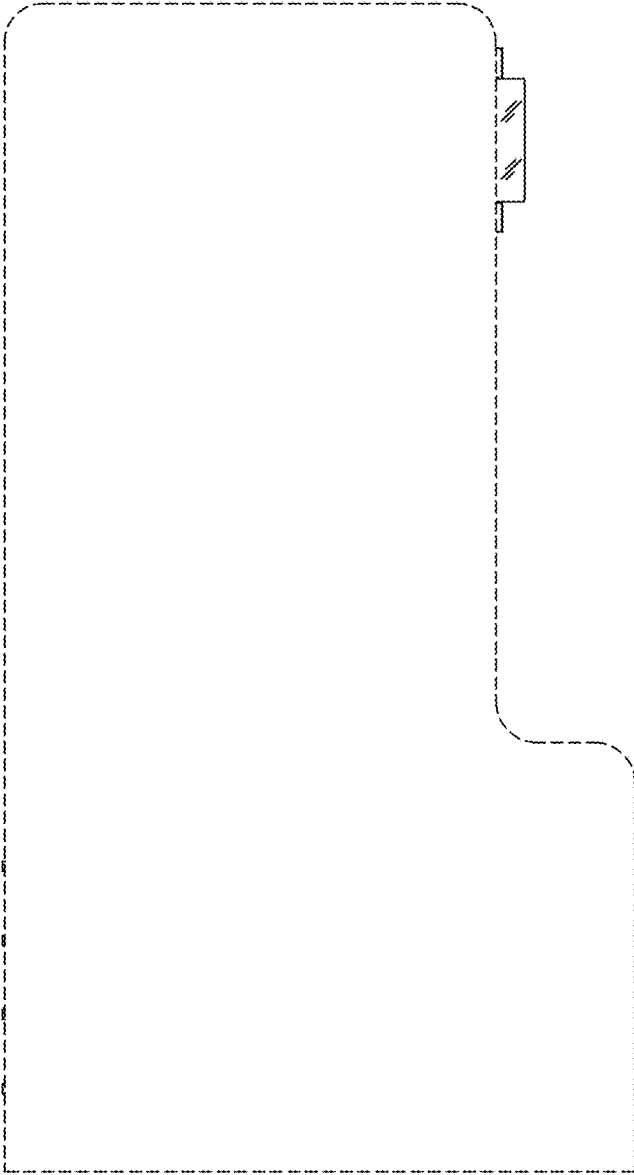


FIG. 8

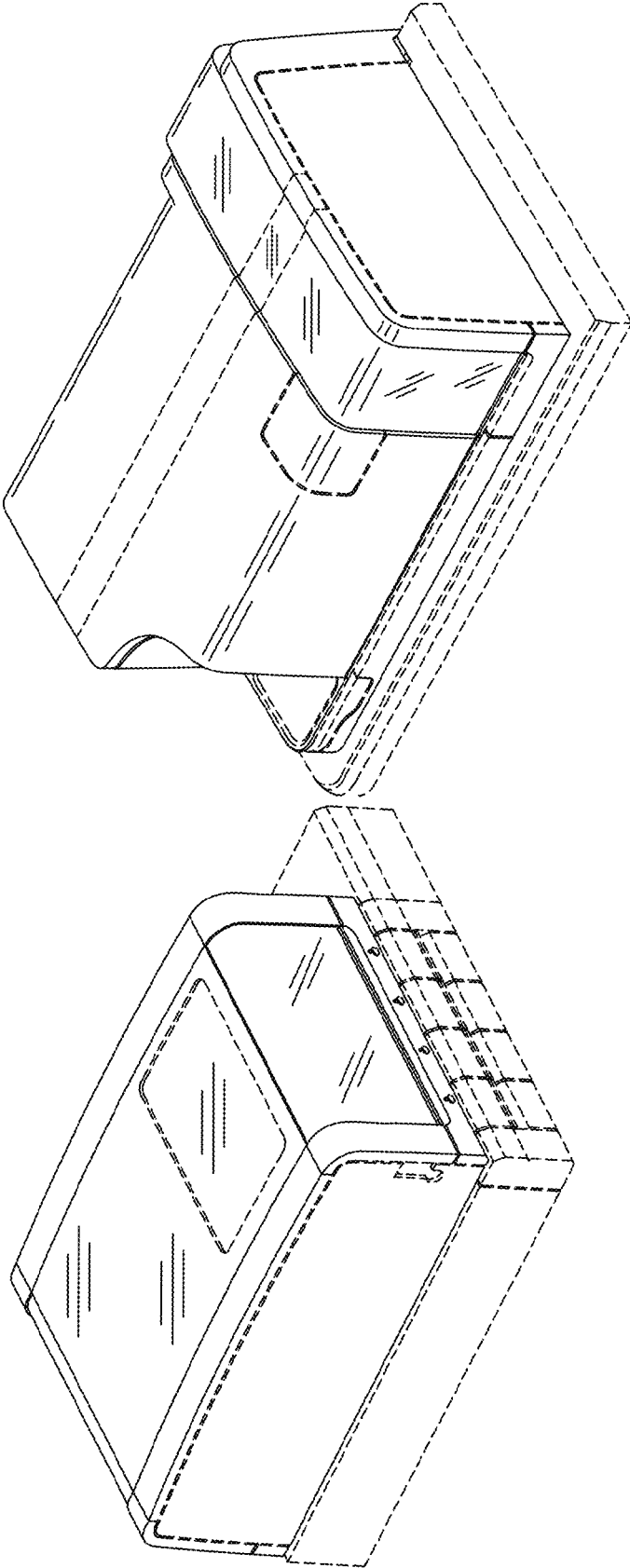


FIG. 9

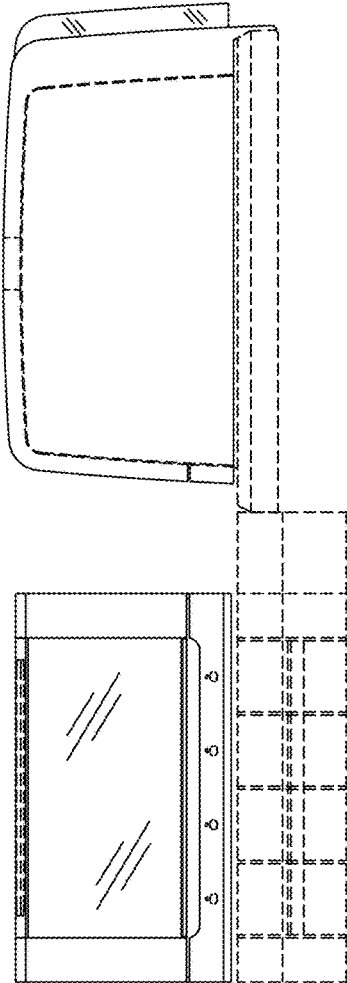


FIG. 10

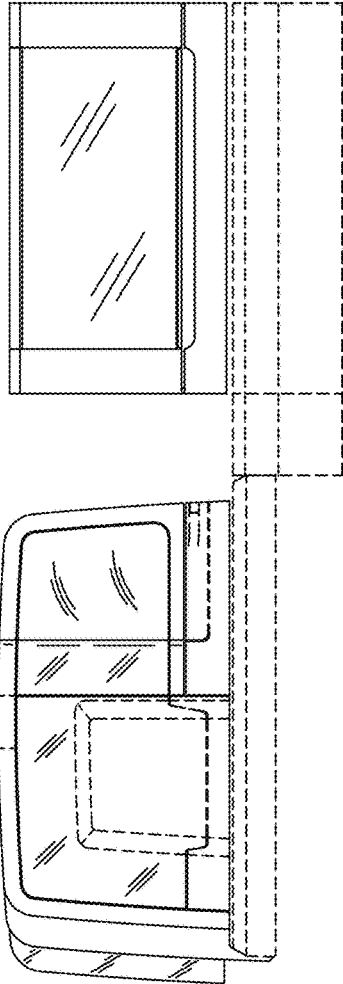


FIG. 11

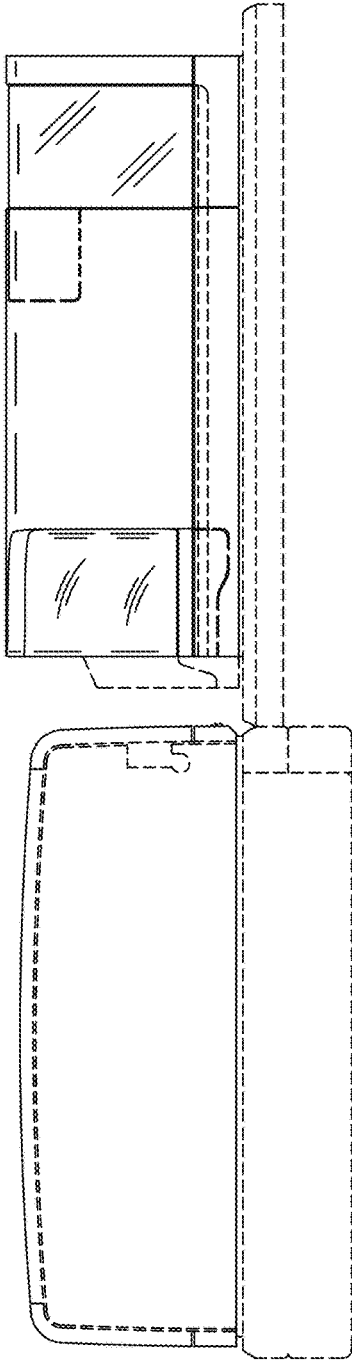


FIG. 12

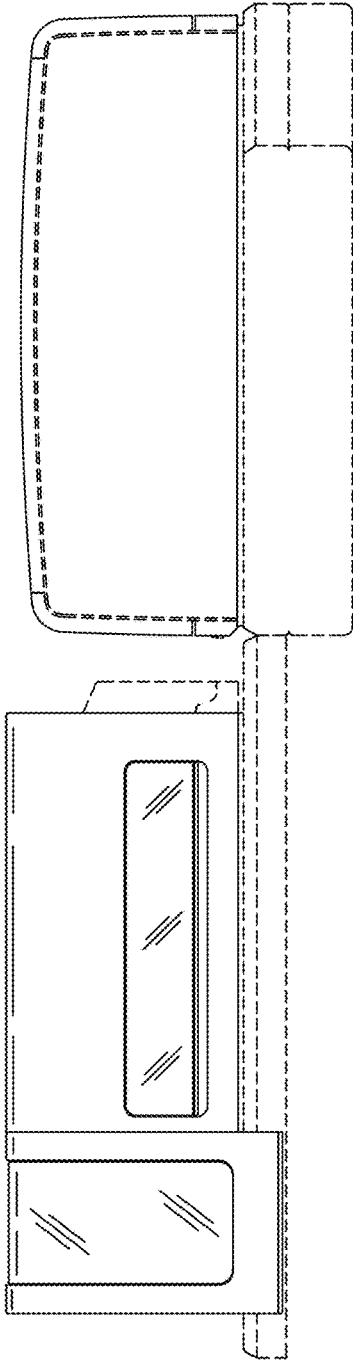


FIG. 13

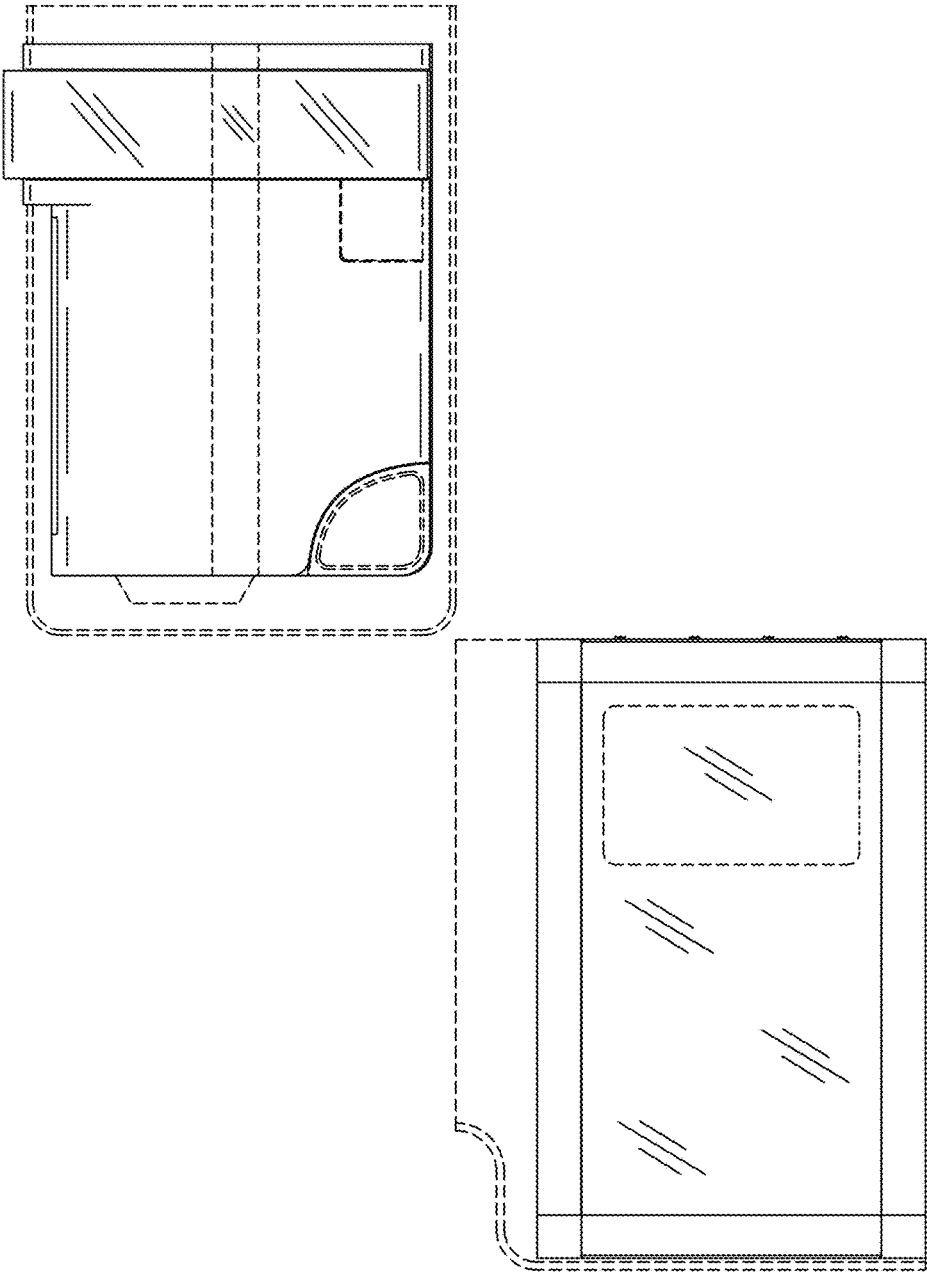


FIG. 14

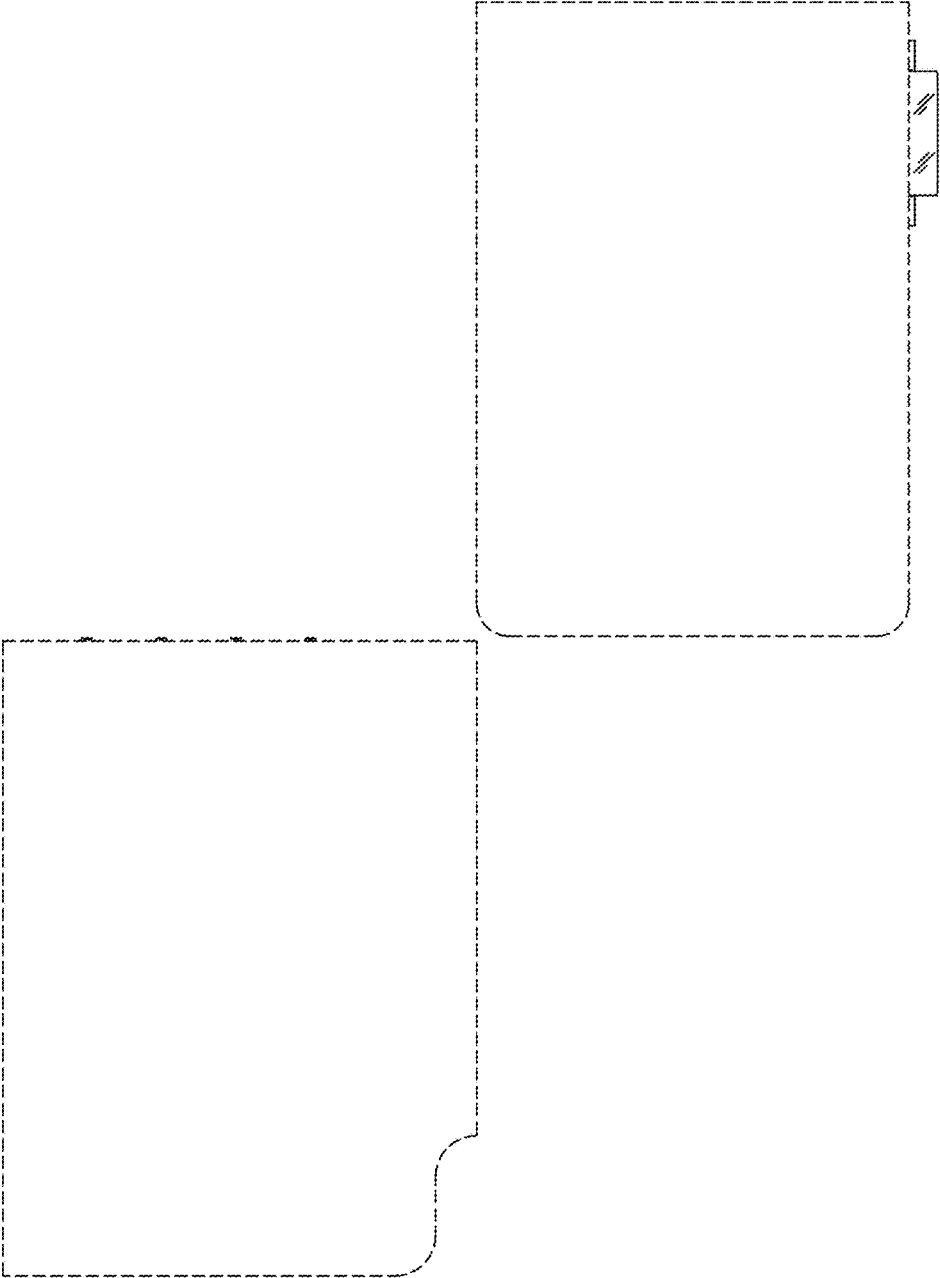


FIG. 15