



US00D972737S

(12) **United States Design Patent**
Lewis, Jr.

(10) **Patent No.:** **US D972,737 S**

(45) **Date of Patent:** **** Dec. 13, 2022**

(54) **WIRELESS ULTRASOUND DEVICE**

(71) Applicant: **ZetrOZ Systems LLC**, Trumbull, CT (US)

(72) Inventor: **George K. Lewis, Jr.**, Trumbull, CT (US)

(73) Assignee: **ZetrOZ Systems LLC**, Trumbull, CT (US)

(**) Term: **15 Years**

(21) Appl. No.: **29/782,657**

(22) Filed: **May 7, 2021**

(51) **LOC (13) Cl.** **24-02**

(52) **U.S. Cl.**
USPC **D24/187**

(58) **Field of Classification Search**
USPC D24/133, 137, 138, 141, 158, 160, 164, D24/165, 167, 170, 186, 187, 200; D10/57, 60, 78, 80
CPC ... A61B 5/0095; A61B 8/4444; A61B 8/4455; A61B 8/445; G01S 7/5208; G01N 29/265
See application file for complete search history.

(56) **References Cited**

U.S. PATENT DOCUMENTS

D343,684 S *	1/1994	Paton	D24/189
D467,002 S *	12/2002	Felix	D24/187
D544,605 S *	6/2007	Gumisawa	D24/186
D566,845 S *	4/2008	Daly	D24/183
D568,479 S *	5/2008	Mao	D24/168
D609,814 S *	2/2010	Banryu	D24/187
D675,738 S *	2/2013	Baumer	D24/168
D700,327 S *	2/2014	Darian	D24/146
D730,761 S *	6/2015	Spaeth	D10/70
D732,672 S *	6/2015	Lewis, Jr.	D24/187
D740,950 S *	10/2015	Osness	D24/186
D746,994 S *	1/2016	Lewis, Jr.	D24/187

D886,303 S *	6/2020	Huang	D24/187
D890,347 S *	7/2020	Chang	D24/167
2016/0136462 A1 *	5/2016	Lewis, Jr.	A61N 7/00 601/2
2019/0269943 A1 *	9/2019	Lewis, Jr.	G10K 11/02

OTHER PUBLICATIONS

Sustained Acoustic Medicine (SAM 2.0) Mechanisms of Action Video. Online, published date Feb. 17, 2021. Retrieved on Jul. 13, 2022 from URL: <https://www.youtube.com/watch?v=BFtIG1qS7nQ>.*

* cited by examiner

Primary Examiner — Omeed Agilee
(74) *Attorney, Agent, or Firm* — FisherBroyles, LLP;
Andrew K. Gonsalves, Esq.

(57) **CLAIM**

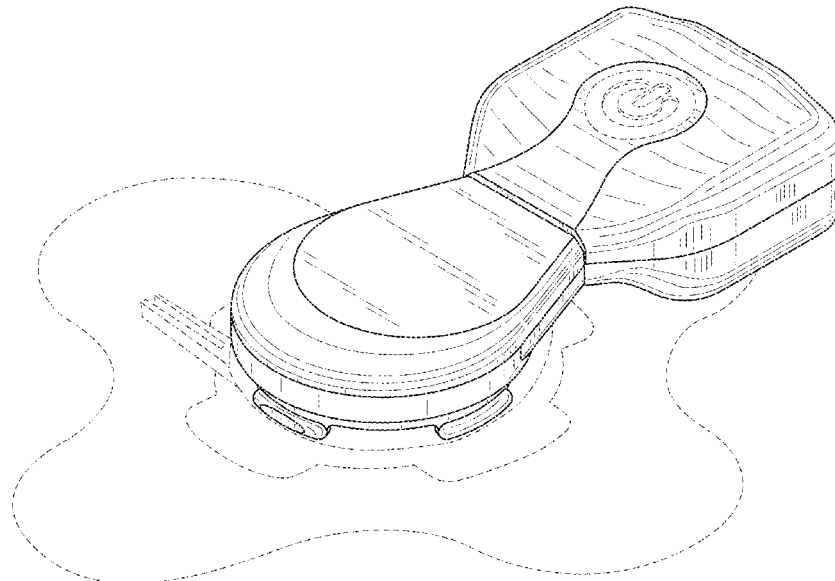
The ornamental design for a wireless ultrasound device, as shown and described.

DESCRIPTION

FIG. 1 is a top perspective view of a wireless ultrasound device showing my new design;
FIG. 2 is a top perspective view thereof;
FIG. 3 is a bottom perspective view thereof;
FIG. 4 is a left side view thereof;
FIG. 5 is a right side view thereof;
FIG. 6 is a rear view thereof;
FIG. 7 is a front view thereof;
FIG. 8 is a top view thereof; and,
FIG. 9 is a bottom view thereof.

The features shown in broken lines in various Figures are for illustrating environmental structure and form no part of the claimed design.

1 Claim, 9 Drawing Sheets



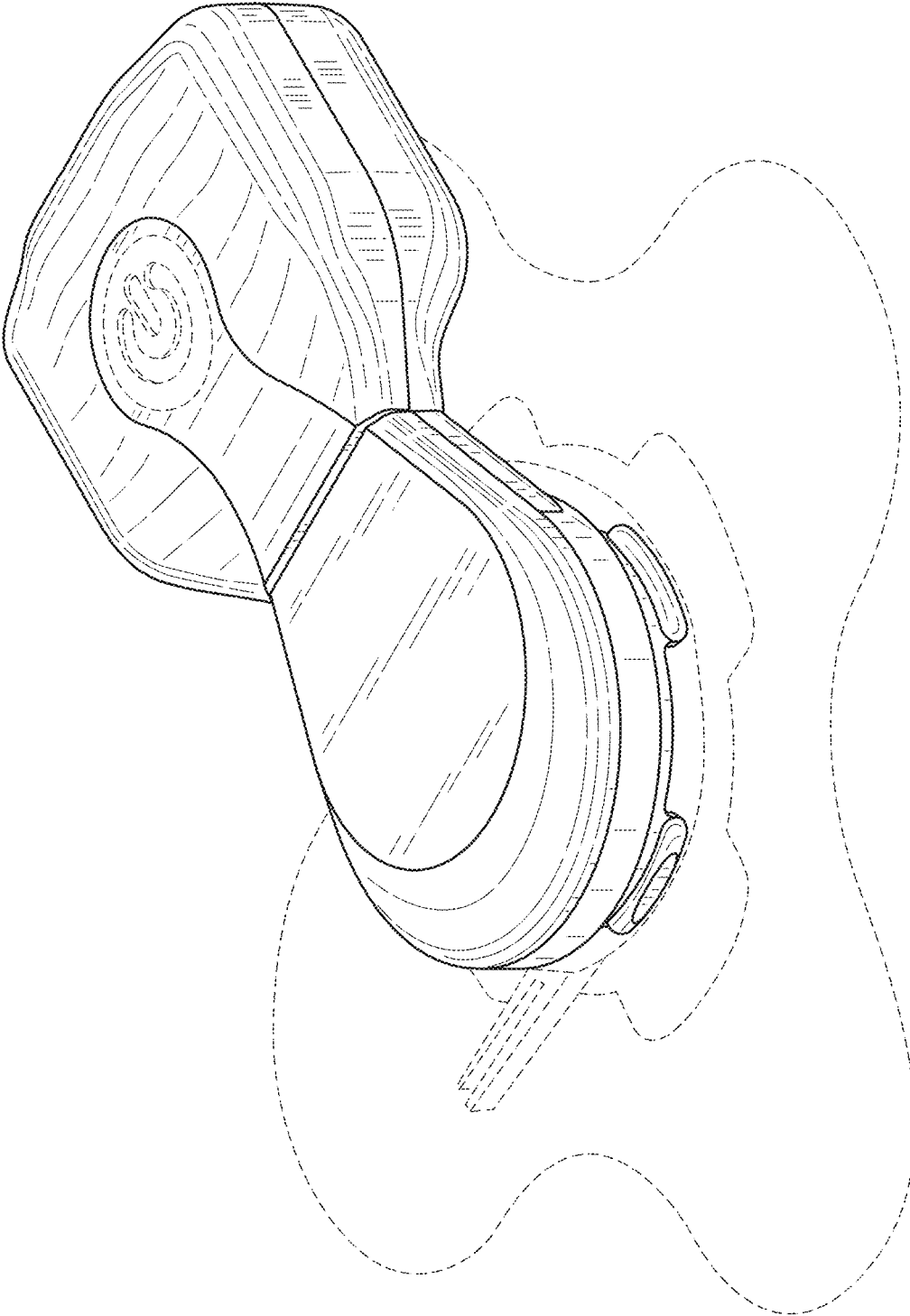


FIG.1

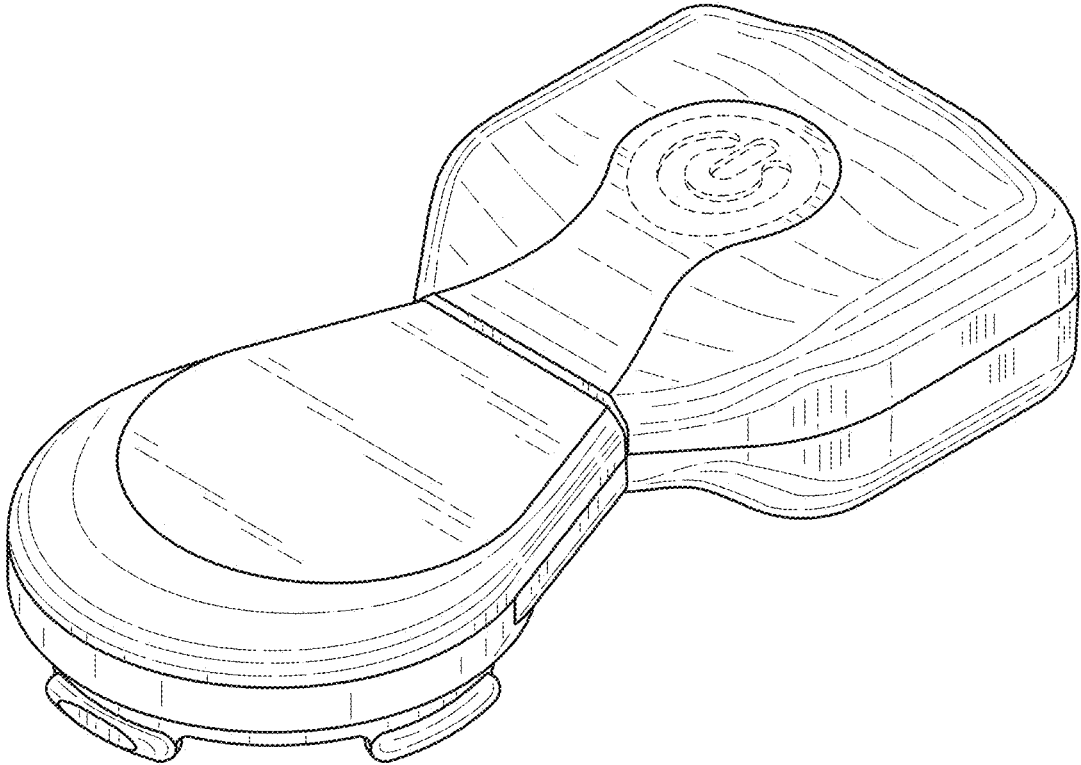


FIG.2

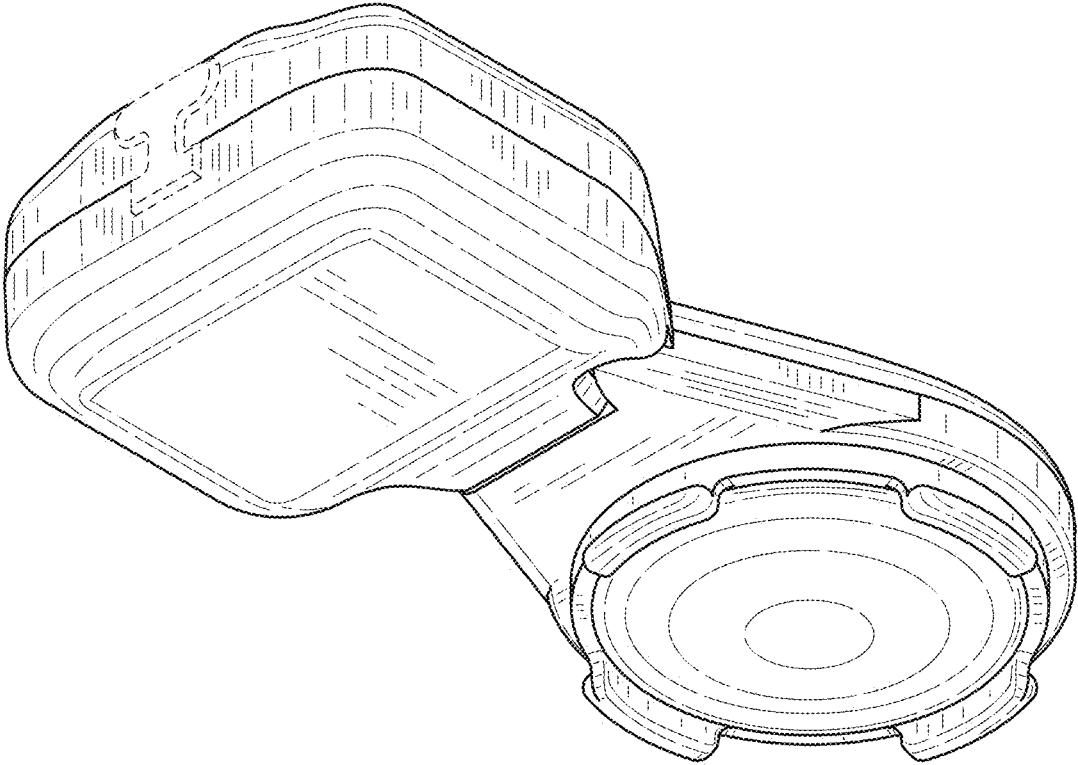


FIG.3

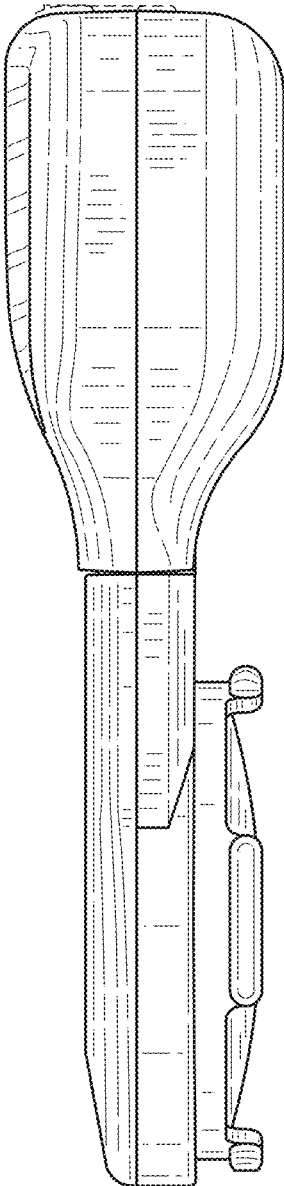


FIG.4

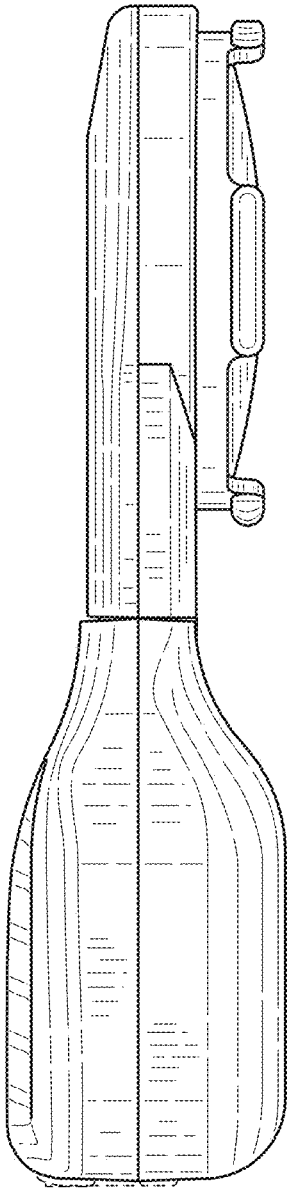


FIG.5

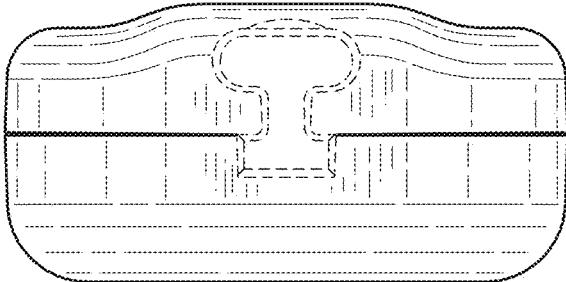


FIG.6

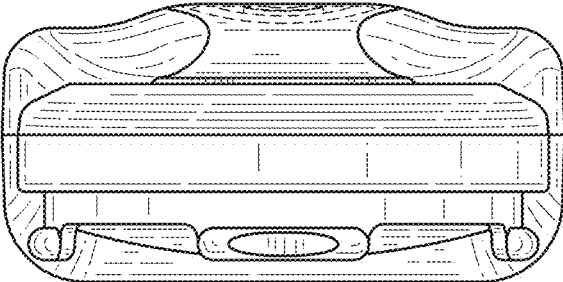


FIG.7

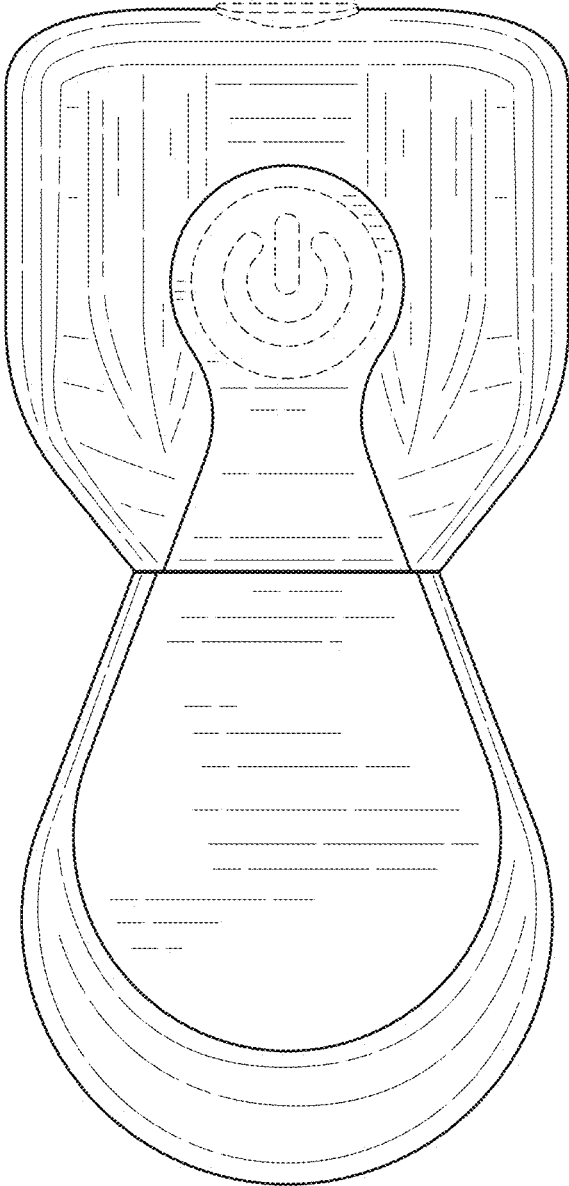


FIG.8

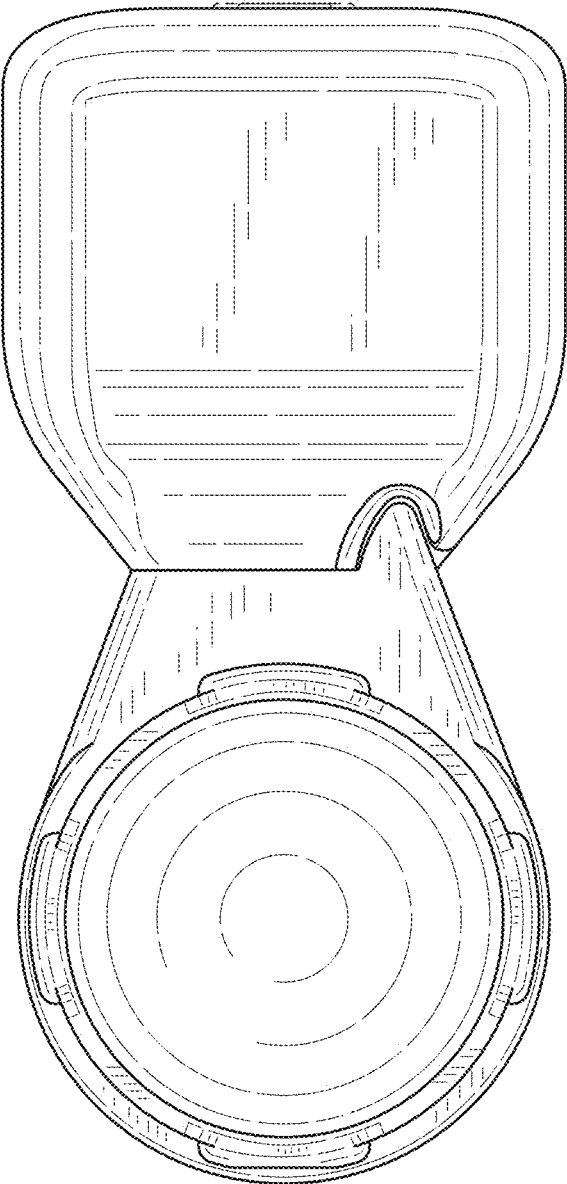


FIG.9