

(19) World Intellectual Property
Organization
International Bureau



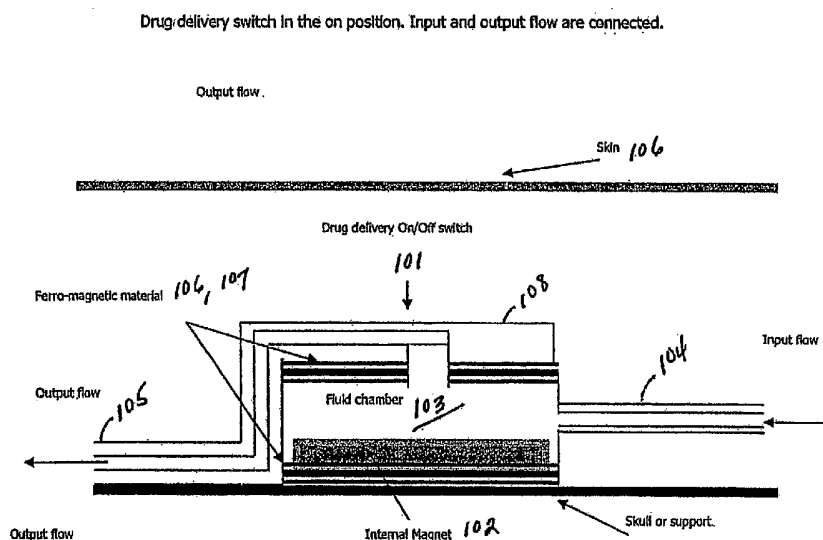
(43) International Publication Date
17 June 2004 (17.06.2004)

PCT

(10) International Publication Number
WO 2004/050166 A1

- (51) International Patent Classification⁷: A61M 39/00
- (21) International Application Number: PCT/IB2003/006363
- (22) International Filing Date: 2 December 2003 (02.12.2003)
- (25) Filing Language: English
- (26) Publication Language: English
- (30) Priority Data:
60/430,252 2 December 2002 (02.12.2002) US
60/512,384 17 October 2003 (17.10.2003) US
- (71) Applicant: MED-EL ELEKTROMEDIZISCHE GERAETE GMBH [AT/AT]; Fürstenweg 77a, A-6020 Innsbruck (AT).
- (72) Inventors: ZIMMERLING, Martin; Edith-Stein-Weg 3/21, A-6020 Innsbruck (AT). JOLLY, Claude; Reinhardweg 8b, A-6176 Voels (AT).
- (74) Agent: FROUD, Clive; Elkington & Fife, Prospect House, 8 Pembroke Road, Sevenoaks, Kent TN13 1XR (GB).
- (81) Designated States (national): AE, AG, AL, AM, AT, AU, AZ, BA, BB, BG, BR, BW, BY, BZ, CA, CH, CN, CO, CR, CU, CZ, DE, DK, DM, DZ, EC, EE, EG, ES, FI, GB, GD, GE, GH, GM, HR, HU, ID, IL, IN, IS, JP, KE, KG, KP, KR, KZ, LC, LK, LR, LS, LT, LU, LV, MA, MD, MG, MK, MN, MW, MX, MZ, NI, NO, NZ, OM, PG, PH, PL, PT, RO, RU, SC, SD, SE, SG, SK, SL, SY, TJ, TM, TN, TR, TT, TZ, UA, UG, UZ, VC, VN, YU, ZA, ZM, ZW.
- (84) Designated States (regional): ARIPO patent (BW, GH, GM, KE, LS, MW, MZ, SD, SL, SZ, TZ, UG, ZM, ZW), Eurasian patent (AM, AZ, BY, KG, KZ, MD, RU, TJ, TM), European patent (AT, BE, BG, CH, CY, CZ, DE, DK, EE, ES, FI, FR, GB, GR, HU, IE, IT, LU, MC, NL, PT, RO, SE, SI, SK, TR), OAPI patent (BF, BJ, CF, CG, CI, CM, GA, GN, GQ, GW, ML, MR, NE, SN, TD, TG).
- Published:
— with international search report
— before the expiration of the time limit for amending the claims and to be republished in the event of receipt of amendments
- For two-letter codes and other abbreviations, refer to the "Guidance Notes on Codes and Abbreviations" appearing at the beginning of each regular issue of the PCT Gazette.

(54) Title: FLUID SWITCH CONTROLLED TRANS-CUTANEOUSLY VIA A MAGNETIC FORCE



(57) Abstract: A fluid switch or valve for an implantable fluid delivery system is provided. The fluid switch or valve includes a fluid chamber having a fluid inlet and a fluid outlet and an internal magnet disposed within the fluid chamber. The internal magnet is moveable such that displacement of the internal magnet restricts the flow of fluid through the fluid chamber.

WO 2004/050166 A1

Fluid Switch Controlled Trans-cutaneously via a Magnetic Force

Technical Field

5 The present invention relates to implantable electronic devices and more particularly, to an implantable valve device.

Background Art

10 Fluid delivery systems and apparatuses are often used to provide pharmaceuticals to the body of a human or animal subject. For example, one or more liquid drugs may be delivered to the inner ear and passive or active diffusion of the liquid drug may be used to treat inner ear functions.

15 Such systems and apparatuses may include devices for controlling fluid flow and catheters for fluid delivery. For example, U.S. Patent No. 6,440,102 discloses an apparatus for delivering fluid materials into and out of the inner ear via the round window membrane. The apparatus includes a fluid transfer conduit having one or more passageways which may have a semi-permeable membrane associated therewith to control fluid flow. Attached to the conduit is an inflatable bladder which, when inflated, engages the internal side wall of the round window niche, thereby securing the bladder and part of the conduit within the niche. The conduit can then transfer fluids to and from the niche and the fluid-permeable round window membrane therein.

20

Summary of the Invention

25 In a first embodiment of the invention, a valve or fluid switch for a fluid delivery system is provided. The fluid delivery system is capable of being implanted in a living subject, for example, the fluid delivery system may be part of a cochlear implant. The valve includes a fluid chamber having a fluid inlet and a fluid outlet and an internal magnet disposed within the fluid chamber. The internal magnet is moveable such that displacement of the internal magnet restricts the flow of fluid through the fluid chamber.

30 The valve may also include an external magnet disposed on the skin of the subject. The

external magnet provides a magnetic field for displacing the internal magnet such that fluid flow through the fluid chamber is restricted when the internal magnet occupies a first position and fluid flow through the fluid chamber is not restricted when the internal magnet occupies a second position.

5 In accordance with related embodiments, the external magnet may be rotatable. The fluid chamber may be implanted in a subject's ear or in another part of a subject's skull. Further, the internal magnet may be formed from a biocompatible material. In accordance with other related embodiments the fluid chamber may include a first anchor and a second anchor for preventing rotation of the internal magnet. The anchors may be
10 formed from a ferromagnetic material. Further, the fluid chamber may be formed from a non-ferromagnetic material.

 In accordance with further related embodiments, the internal magnet may be spherical or cylindrical, the fluid chamber may include an anchor for securing the internal magnet in the fluid chamber and one pole of the internal magnet may include one or more
15 grooves for permitting fluid flow through the fluid chamber when the internal magnet is secured by the anchor. The internal magnet may be coated with a non-ferromagnetic material, for example, the internal magnet may be coated with silicone. When the internal magnet is coated, the coating at one pole of the internal magnet may include one or more grooves for permitting fluid flow through the fluid chamber when the internal
20 magnet is secured by the anchor. Alternatively, one pole of the internal magnet may include a recess for permitting fluid flow through the fluid chamber when the internal magnet is secured by the anchor. Further, one pole of the internal magnet may be replaced with or include semi-permeable material for permitting fluid flow through the chamber when the internal magnet is secured by the anchor. The anchor may be formed
25 of a ferromagnetic material.

 In accordance with other embodiments, the valve or fluid switch may further include an external indicator for checking the displacement of the internal magnet, and the external indicator may include a compass. In accordance with further embodiments, the external magnet may include a first magnet having a magnetic moment oriented in a
30 first direction and a second magnet having a magnetic moment oriented in a second direction such that the external magnet automatically aligns with the internal magnet. The first magnet may be cylindrical and the second magnet may be ring-shaped. Alternatively, the external magnet may be confined in a housing wherein the external magnet is capable of experiencing horizontal displacement such that it automatically

aligns with the internal magnet.

In accordance with another embodiment of the invention, the valve or fluid switch for an implantable fluid delivery system may include a fluid chamber including a catheter having a fluid inlet and a fluid outlet and an internal magnet disposed within the fluid chamber. The internal magnet is moveable such that displacement of the internal magnet restricts the flow of fluid through the catheter. In a related embodiment, an external magnet may be disposed on the skin of a subject wherein the external magnet provides a magnetic field for displacing the internal magnet such that fluid flow through the catheter is restricted when the internal magnet occupies a first position and fluid flow through the catheter is not restricted when the internal magnet occupies a second position.

Brief Description of the Drawings

The foregoing features of the invention will be more readily understood by reference to the following detailed description, taken with reference to the accompanying drawings, in which:

Fig. 1 is graphical illustration of a fluid switch or valve in accordance with one embodiment of the present invention;

Fig. 2 is a graphical illustration of the fluid valve of Fig. 1 in an open (or ON) position;

Fig. 3 is a graphical illustration of a fluid switch or valve in a closed (or OFF) position due to an external magnet located on the skin in accordance with another embodiment of the invention;

Fig. 4 is a graphical illustration of a fluid switch or valve with a movable magnet in accordance with another embodiment of the invention;

Fig. 5 is a graphical illustration of the fluid valve of Fig. 4 in a closed (or OFF) position;

Fig. 6 is graphical illustration of a fluid switch or valve with a grooved magnet in accordance with a further embodiment of the invention;

Fig. 7 is a graphical illustration of the fluid valve of Fig. 6 in a stable closed (or OFF) position;

Fig. 8 is a graphical illustration of the fluid valve of Fig. 6 in a stable open (or ON) position;

Fig. 9 is a graphical illustration of a fluid switch or valve including an indicator for checking the state of the fluid switch in accordance with another embodiment of the invention;

Fig. 10 is a graphical illustration of a fluid switch or valve in which coating over one magnetic pole is recessed or replaced in accordance with a further embodiment of the invention;

Fig. 11 is a graphical illustration of a bi-stable fluid switch or valve in accordance with another embodiment of the invention;

Fig. 12 is a graphical illustration showing the effect of a fluid switching state of a fluid valve in accordance with an embodiment of the invention;

Fig. 13 is a graphical illustration of a magnetically activated implantable fluid switch or valve in accordance with another embodiment of the invention;

Fig. 14 is a graphical illustration of a magnetically driven fluid pump in accordance with a further embodiment of the invention;

Fig. 15 is a graphical illustration of a fluid switch or valve with includes an internal catheter in accordance with another embodiment of the invention;

Fig. 16 is a graphical illustration of the embodiment of Fig. 15 wherein flow through the internal catheter is interrupted;

Fig. 17 is graphical illustration of a fluid switch or valve having a self-aligning external magnet in accordance with a further embodiment of the invention; and

Fig. 18 is a graphical illustration of a fluid switch or valve having a self-aligning external magnet in accordance with another embodiment of the invention.

Detailed Description of Specific Embodiments

Figs. 1 and 2 are graphical illustrations showing an ON/OFF valve (or fluid switch) used to interrupt and resume fluid flow in an implantable fluid delivery system or other fluid system. The valve **101** includes an internal but movable biocompatible magnet **102** located in a non-ferromagnetic chamber **103**. The chamber **103** includes an inlet catheter **104** and an outlet catheter **105**. The internal magnet **102** may be displaced to an open (ON) or closed (OFF) position by an external magnetic force applied at the surface of a subject's skin **106**. In accordance with the embodiments of Figs. 1 and 2, the valve (or switching) state is controlled by the orientation of the external magnetic field.

The internal magnet **102** may be encapsulated by a gold film or other material (e.g. metal and/or polymer) to provide a biocompatible interface with the surrounding

fluid or gas. The shape of the internal magnet **102** (or non-ferromagnetic case or housing **108** which contains one magnet or several magnets of any shape) may be a disk, a cube, a rectangle, a cylinder, a sphere, or any other shape.

Fig. 3 is a graphical illustration of a fluid valve in a closed (OFF) position due to an external magnet **301** located on the skin. The external magnet **301** attracts the internal magnet **102** of the fluid chamber **103** and causes closure of the fluid flow, thus bi-stable valve positions are provided. The internal magnet **102** may move, but it cannot turn and hence cannot change the axis of its magnetic momentum vector. Such an arrangement requires two anchors **106** and **107** one anchor **106** on the side facing the skin (i.e. lateral side) and a second anchor **107** on the opposite side (i.e. medial side). As shown in Figs. 1 and 2, in the absence of an external magnetic field the internal magnet **102** is dominantly attracted by that anchor **107** which is closer and the internal magnet **102** is caught in a stable position. Switching between these two stable positions can be achieved by applying an external magnetic field (such as by holding external magnet **301** over the skin). Depending on the orientation of the external magnetic field, the internal magnet **102** will either be attracted or repelled by the external field and thus will be pushed to the medial position or pulled to the lateral position. After removing the external magnet **301** (or switching off the external magnetic field) the internal magnet **102** keeps its stable position.

Figs. 4 and 5 are graphical illustrations of a fluid valve with a movable internal magnet **401** in accordance with another embodiment of the invention. In accordance with the embodiment of Fig. 4, the valve is mono-stable. Mono-stability may be achieved by a small piece of ferromagnetic material **402** (also called an anchor), which is located on the housing **408** at the side opposite to the skin (i.e. medial side). When no external field is present, the magnet is attracted by the anchor **402** and fixed in that position as shown in Fig. 5. Without the anchor **402**, the internal magnet **401** would not be held stable in its position and orientation during the absence of an external magnetic field. Such an arrangement may be exploited to interrupt or resume a fluid flow between the fluid inlet **410** and fluid outlet **411**. When an external magnetic field with correct orientation is present (such as by holding an external magnet **403** at the surface of the skin **409**, or by generating a magnetic field with means of a current-driven electric coil) this magnetic field generates a stronger attractive force than the anchor **402**, and the internal magnet **401** is pulled towards the skin and thus can resume a fluid flow. The size of the ferromagnetic anchor **402** defines the stability of the switching state: The bigger the

anchor **402**, the more robust the valve against vibration or mechanical shock and the external magnetic field needs to be stronger to attract the internal magnet.

Thus, in accordance with embodiments of the invention, the fluid valve may include two stable valve (or fluid switching) positions and two unstable valve positions.

5 The internal magnet **401** may move along a particular axis and also can turn, thus changing the axis of its magnetic momentum vector. Such movement may be achieved with a spherical magnet as shown in Figs. 4 and 5. As described above, an anchor **402** on the medial side of the encapsulation allows fixation of the internal magnet **401** during the absence of an external magnetic field, and two stable valve (or switching) states are
10 possible. Additionally, two unstable valve states are possible during the presence of an external magnetic field. As shown in Fig. 5, exploiting these unstable valve states (when either the north pole or the south pole of the internal magnet **401** is facing the skin **409**) requires an additional inlet **501** and outlet **502** on the side of the housing **408** which faces the skin flap **409**.

15 The internal magnet **401** may be free to move along a particular axis, free to turn in any direction and/or free to move and turn in a variety of manners. Similarly, the internal magnet **401** may be free to turn into any direction that is safe in the presence of strong external magnetic fields like those produced as a result of MRI (Magnetic Resonance Imaging). The internal magnet **401** may align with the external magnetic field
20 without exerting a torque to the housing **408** of the implant, and when the internal magnet **401** is aligned it cannot demagnetize.

Fig. 6 is graphical illustration of a fluid valve (or fluid switch) with a grooved magnet in accordance with a further embodiment of the invention. In accordance with this embodiment, one pole of the internal magnet **402** (or its coating) includes grooves
25 **601** that are made in the coating to enable fluid flow when that magnetic pole is located over the fluid inlet **410** and outlet **411**. As shown in Fig. 7, when the external magnet **403** is removed after having placed the north pole **701** of the external magnet **403** on the skin flap **409**, the north pole **703** of the internal magnet **401**, which does not have grooves, is attracted by the anchor **402**. Fluid flow between the fluid inlet **410** and fluid outlet **411** is
30 thus interrupted by the internal magnet **401**. Fig. 8 is an illustration showing that by removing the external magnet **403** after having placed the south pole **702** of the external magnet **403** onto the skin, the south pole **704** of the internal magnet **401**, which includes grooves **601**, is attracted to the anchor **402** and fluid may flow through the grooves **601** between the fluid inlet **410** and fluid outlet **411**.

Fig. 9 is a graphical illustration of a fluid valve (or fluid switch) including an indicator for checking the state of the fluid switch in accordance with another embodiment of the invention. The indicator may be a compass **901** with a needle **902** that aligns with the poles **703** and **704** of the internal magnet **401** in such a manner as to indicate the orientation of the magnetic field and thus the position of the poles. For example, the needle **902** of the compass **901** will indicate that the north pole **703** of the internal magnet **401** is closer to the skin flap **409** and that the south pole **704** (having the grooves **601**) is over the fluid inlet and outlet **410** and **411**. In accordance with this embodiment, when the internal magnet is in this position, the fluid switch is open (or ON), and fluid flow is allowed. Labeling of the compass needle **902** may also indicate the actual switching or valve state.

Fig. 10 is a graphical illustration of a fluid valve (or fluid switch) in which coating over one magnetic pole is recessed or replaced in accordance with a further embodiment of the invention. In accordance with this embodiment, the coating over one pole of the internal magnet **401** (here the south pole **704**) is recessed or replaced with a semi-permeable material **1001**. In this manner, fluid may flow between the fluid inlet **410** and fluid outlet **1002** when this particular pole is over the fluid inlet **410** and outlet **1002**. Additionally, the embodiment of Fig. 10 may allow the implementation of open/closed (or ON/OFF) switching of fluid flow, switching between different fluid flow rates, switching of flow direction (see Fig. 13) and/or switching between different semi-permeable states (by incorporating filters or semi-permeable materials). Thus, the embodiment of Fig. 10 may be used as a fluid or gas pressure limiter to permit switching between different pressure levels.

Fig. 11 is a graphical illustration of a bi-stable fluid valve (or fluid switch) in accordance with another embodiment of the invention. In accordance with this embodiment, bi-stable valve or switching positions are accomplished with a freely turnable internal magnet **1101** having the coating over one of its poles recessed or replaced with a semi-permeable material **1103**. The internal magnet **1101** cannot move inside its housing or containment **1108**. This allows two stable valve or switching positions, and switching can be achieved by placing a magnet over the skin for a short time. The embodiment of Fig. 11 also permits open/closed (or ON/OFF) switching of fluid flow, switching between different flow rates, switching of flow direction and/or switching between different semi-permeable states (by incorporating filters or semi-permeable materials).

Fig. 12 is a graphical illustration showing the effect of a valve or switching state of a fluid valve in accordance with an embodiment of the invention. In accordance with this embodiment, a freely turnable spherical or cylindrical internal magnet **1208** is encapsulated in a hermetical non-ferromagnetic housing **1218**. The coating at poles **1210** and **1211** of the internal magnet **1208** are recessed. The anchor **1205** is placed on the lateral side (close to the skin flap **409**) or at any other place on the housing **1218** instead of at the medial side. Further, switching is performed between more than one inlet and outlet. For example, switching is performed between inlets **1203** and **1204** and outlets **1201** and **1202**. When external magnet **1206** is removed after having been placed such that the south pole **1207** of the external magnet **1206** was in contact with the skin flap **409**, the north pole **1211** of the internal magnet **1208** is closer to the skin flap **409** and recesses **1213** and **1214** permit fluid flow between fluid inlet **1203** and fluid outlet **1201**. When external magnet **1206** is removed after having been placed such that the north pole **1209** of the external magnet **1206** was in contact with the skin flap **409**, the south pole **1210** of the internal magnet **1208** is closer to the skin flap **409** and recesses **1215**, **1216** and **1217** permit fluid flow between fluid inlet **1204** and fluid outlet **1202**. A crossover/crossfeed valve may also be implemented in accordance with this embodiment.

Fig. 13 is a graphical illustration of a magnetically activated implantable fluid valve or fluid switch in accordance with another embodiment of the invention. In accordance with this embodiment, a freely turnable spherical magnet **1301** in a non-ferromagnetic hermetic encapsulation or housing **1308** includes a bore **1302** and one-directional valve **1310**. Since the valve **1310** in the internal magnet **1301** is one directional, the orientation of the internal magnet **1301** determines whether fluid flows into the bore **1302** at the medial side **1311** of the internal magnet **1301** and out of the bore **1302** at the lateral side **1312** of the internal magnet **1301** or vice versa. When external magnet **1303** is removed after having been placed such that the south pole **1304** of the external magnet **1303** was in contact with the skin flap **409**, the north pole **1306** of the internal magnet **1301** is closer to the skin flap **409** and the internal magnet **1301** is attracted by the anchor **1309**. Fluid flows into the bore **1302** from the medial side **1311** and out of the bore **1302** at the lateral side **1312**. When external magnet **1303** is removed after having been placed such that the north pole **1305** of the external magnet **1303** was in contact with the skin flap **409**, the south pole **1307** of the internal magnet **1301** is closer to the skin flap **409** and fluid flows into the bore **1302** from the lateral side **1312** of the internal magnet **1301** and out of the bore **1302** at the medial side **1311**.

Fig. 14 is a graphical illustration of a magnetically driven fluid pump in accordance with a further embodiment of the invention. In accordance with this embodiment, an ON/OFF valve (or fluid switch) and pump are used to interrupt and resume fluid flow in a fluid delivery system. The pump **1400** includes an internal magnet **1401** which is embedded in an excentrical, freely turnable and biocompatible body ("rotor") which together with a hermetically tight membrane **1402** separates the volume inside a non-ferromagnetic chamber **1403** into two parts. The rotor **1401** is fixed stable by a small ferromagnetic part **1404** ("anchor") during the absence of an external magnetic field. Thus, the flow valve is closed. The pump **1400** can be magnetically activated and driven by a rotating external magnetic field such as that provided by external rotating magnet **1405** (or an arrangement of solenoids). In this manner, fluid flow direction and the fluid flow rate may be controlled.

Fig. 15 is a graphical illustration showing a fluid valve or fluid switch with includes an internal catheter in accordance with another embodiment of the invention. Here again, the valve **1501** includes an internal but movable biocompatible magnet **1502** located in a non-ferromagnetic chamber **1503**. The chamber **1503** includes an internal catheter **1509** having an inlet **1504** and an outlet **1505**. The internal magnet **1502** may be displaced so as to create an open (ON) position, wherein flow through the internal catheter **1509** is not interrupted or a closed (OFF) position wherein flow through the internal catheter **1509** is interrupted as shown in Fig. 16. As in the embodiment of Fig. 1, the internal magnet **1502** may be encapsulated by a gold film or other material (e.g. metal and/or polymer) to provide a biocompatible interface with the surrounding fluid or gas. The shape of the internal magnet **1502** (or non-ferromagnetic case or housing **1503** which contains one magnet or several magnets of any shape) may be a disk, a cube, a rectangle, a cylinder, a sphere, or any other shape.

Fig. 16 is a graphical illustration of a fluid valve or fluid switch in a closed (OFF) position due to an external magnet **1601** located on the skin. The external magnet **1601** attracts the internal magnet **1502** of the fluid chamber **1503**. Consequently, the internal magnet **1502** squeezes the internal catheter **1509** and fluid flow through the internal catheter **1509** is interrupted.

Fig. 17 is graphical illustration of a fluid valve or fluid switch having a self-aligning external magnet in accordance with a further embodiment of the invention. In accordance with this embodiment, the fluid valve includes an external magnet **1701** having a quadru-polar magnetic momentum. This is accomplished in that the external

magnet **1701** includes an arrangement of two or more magnets with their magnetic moments oriented in different direction. Such an arrangement provides improved self-aligning (or self-centering) properties of external magnet **1701** over an implanted magnet **1702**. In accordance with the arrangement shown in Fig. 17, the external magnet **1701** includes a cylindrical magnet **1703** and a ring-shaped magnet **1705** with opposite magnetization.

Fig. 18 is a graphical illustration of a fluid valve or fluid switch having a self-aligning external magnet in accordance with another embodiment of the invention. In accordance with the embodiment of Fig. 18, the fluid valve is provided with an external magnet **1801** that is confined in a box **1803** housing such that the external magnet **1801** is mechanically free to move horizontally (i.e., normal to its axis of magnetization). In this manner, precise alignment of the external magnet with an implanted magnet is permitted, even if the box or housing **1803** is not exactly placed over the implanted magnet.

Embodiments of the invention may be used for systems or applications other than human drug delivery. For example, the valves or fluid switches of the invention may be applied in biomedical engineering in general, automotive, domestic technique or other industries. Similarly, the embodiments of the invention may be used to magnetically control the flow of liquids and gases. Further, the external magnetic field can originate from an electro-magnet (current-driven coil) instead of a permanent magnet. Valves or fluid switches as described above may further be used to close a pump system while refilling a fluid reservoir and such valves or fluid switches may be used with an osmotic pump.

While the invention has been described in connection with specific embodiments thereof, it will be understood that it is capable of further modification. This application is intended to cover any variation, uses, or adaptations of the invention and including such departures from the present disclosure as come within known or customary practice in the art to which invention pertains.

01941/172WO 282927.1

What is claimed is:

1. A valve for an implantable fluid delivery system comprising:
a fluid chamber having a fluid inlet and a fluid outlet; and
an internal magnet disposed within the fluid chamber, the internal magnet being
5 moveable such that displacement of the internal magnet restricts the flow of fluid through
the fluid chamber.
2. A valve according to claim 1, further comprising:
an external magnet for disposition on the skin of a subject, the external magnet
providing a magnetic field for displacing the internal magnet such that fluid flow through
10 the fluid chamber is restricted when the internal magnet occupies a first position and fluid
flow through the fluid chamber is not restricted when the internal magnet occupies a
second position.
3. A valve according to claim 2, wherein the external magnet is rotatable.
4. A valve according to claim 1, wherein the fluid chamber is implanted in a
15 subject's ear.
5. A valve according to claim 1, wherein the fluid chamber is implanted in a part of
a subject's skull.
6. A valve according to claim 1, wherein the internal magnet is formed from a
biocompatible material.
- 20 7. A valve according to claim 1, wherein the fluid chamber includes a first anchor
and a second anchor for preventing rotation of the internal magnet.
8. A valve according to claim 7, wherein the anchors are formed from a
ferromagnetic material.
9. A valve according to claim 1, wherein the fluid chamber is formed from a non-
25 ferromagnetic material.
10. A valve according to claim 1, wherein the internal magnet is spherical.
11. A valve according to claim 1, wherein the internal magnet is cylindrical.
12. A valve according to claim 1, wherein the fluid chamber includes an anchor for
securing the internal magnet in the fluid chamber.
- 30 13. A valve according to claim 12, wherein one pole of the internal magnet includes
one or more grooves for permitting fluid flow through the fluid chamber when the
internal magnet is secured by the anchor.
14. A valve according to claim 12, wherein the internal magnet is coated with a non-
ferromagnetic material.

15. A valve according to claim 14, wherein the non-ferromagnetic material is silicone.
16. A valve according to claim 12, wherein the internal magnet is coated at one pole with a non-ferromagnetic material.
17. A valve according to claim 16, wherein the coating includes one or more grooves
5 for permitting fluid flow through the fluid chamber when the internal magnet is secured by the anchor.
18. A valve according to claim 12, wherein one pole of the internal magnet includes a recess for permitting fluid flow through the fluid chamber when the internal magnet is secured by the anchor.
- 10 19. A valve according to claim 12, wherein one pole of the internal magnet includes a semi-permeable material for permitting fluid flow through the fluid chamber when the internal magnet is secured by the anchor.
20. A valve according to claim 12, wherein the anchor is formed of a ferromagnetic material.
- 15 21. A valve according to claim 1, further comprising an external indicator for checking the displacement of the internal magnet.
22. A valve according to claim 21, wherein the external indicator includes a compass.
23. A valve according to claim 2, wherein the external magnet includes a first magnet having a magnetic moment oriented in a first direction and a second magnet having a
20 magnetic moment oriented in a second direction such that the external magnet automatically aligns with the internal magnet.
24. A valve according to claim 23, wherein the first magnet is cylindrical and the second magnet is ring-shaped.
25. A valve according to claim 2, wherein the external magnet is confined in a
25 housing such that the external magnet is capable of experiencing horizontal displacement such that it automatically aligns with the internal magnet.
26. A valve according to either of claims 1 or 2, wherein the fluid delivery system is includes a cochlear implant.
27. A valve according to claim 1, wherein the fluid chamber including a catheter
30 having the fluid inlet and the fluid outlet and wherein the internal magnet is moveable such that displacement of the internal magnet restricts the flow of fluid through the catheter.
28. A valve according to claim 27, further comprising:
an external magnet for disposition on the skin of a subject, the external magnet

providing a magnetic field for displacing the internal magnet such that fluid flow through the catheter is restricted when the internal magnet occupies a first position and fluid flow through the catheter is not restricted when the internal magnet occupies a second position.

29. A fluid switch for an implantable fluid delivery system comprising:

5 a fluid chamber having a fluid inlet and a fluid outlet; and
an internal magnet disposed within the fluid chamber, the internal magnet being moveable such that displacement of the internal magnet restricts the flow of fluid through the fluid chamber.

30. A fluid switch according to claim 29, further comprising:

10 an external magnet for disposition on the skin of a subject, the external magnet providing a magnetic field for displacing the internal magnet such that fluid flow through the fluid chamber is restricted when the internal magnet occupies a first position and fluid flow through the fluid chamber is not restricted when the internal magnet occupies a second position.

15 31. A fluid switch according to claim 29 wherein the fluid chamber includes a catheter having the fluid inlet and the fluid outlet and wherein the internal magnet is moveable such that displacement of the internal magnet restricts the flow of fluid through the catheter.

32. A fluid switch according to claim 31, further comprising:

20 an external magnet for disposition on the skin of a subject, the external magnet providing a magnetic field for displacing the internal magnet such that fluid flow through the catheter is restricted when the internal magnet occupies a first position and fluid flow through the catheter is not restricted when the internal magnet occupies a second position.

25 01941/172WO 282927.1

Figure 1 ON / OFF flow switch

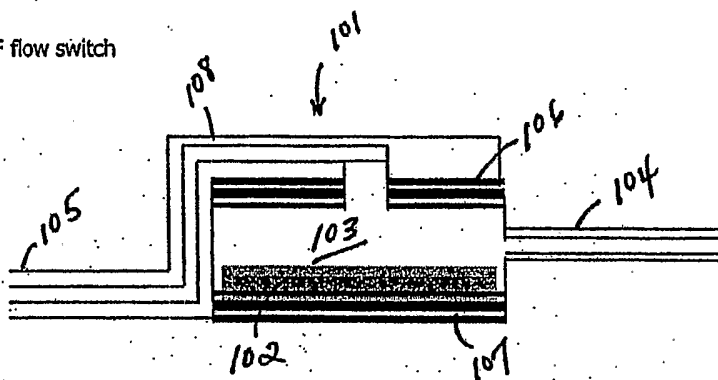


Figure 2 Drug delivery switch in the on position. Input and output flow are connected.

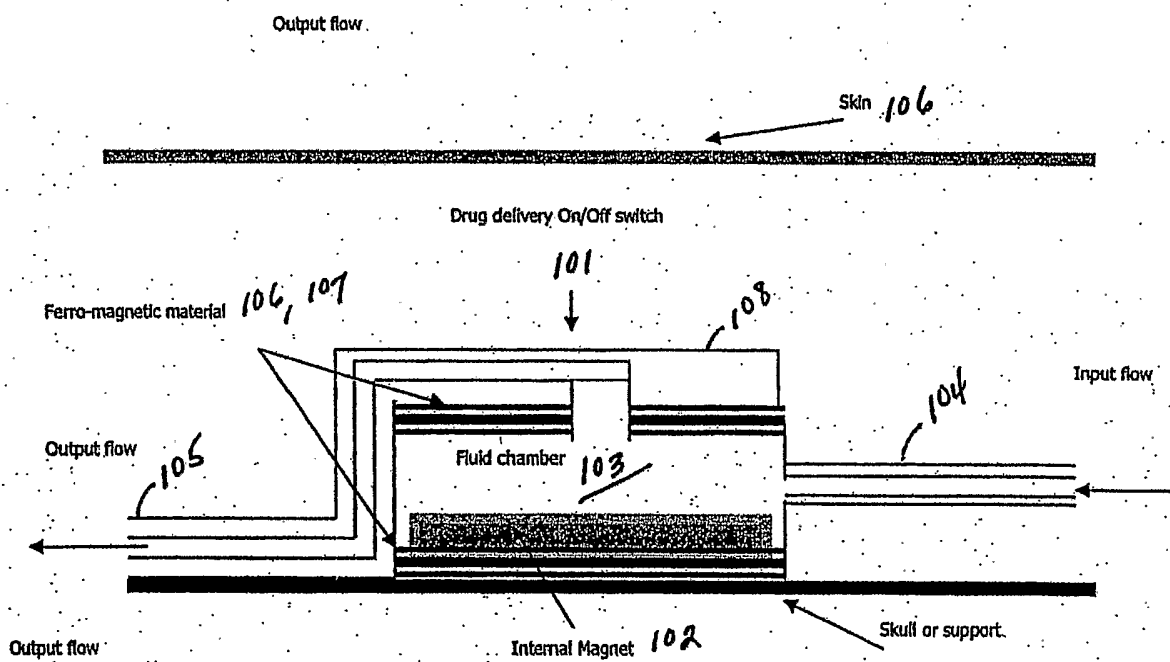


Figure 3 Drug delivery switch in the off position due to position of an external magnet on the top of the skin. The external magnet attract the internal magnet of the fluid chamber and causes closure of the fluid flow.

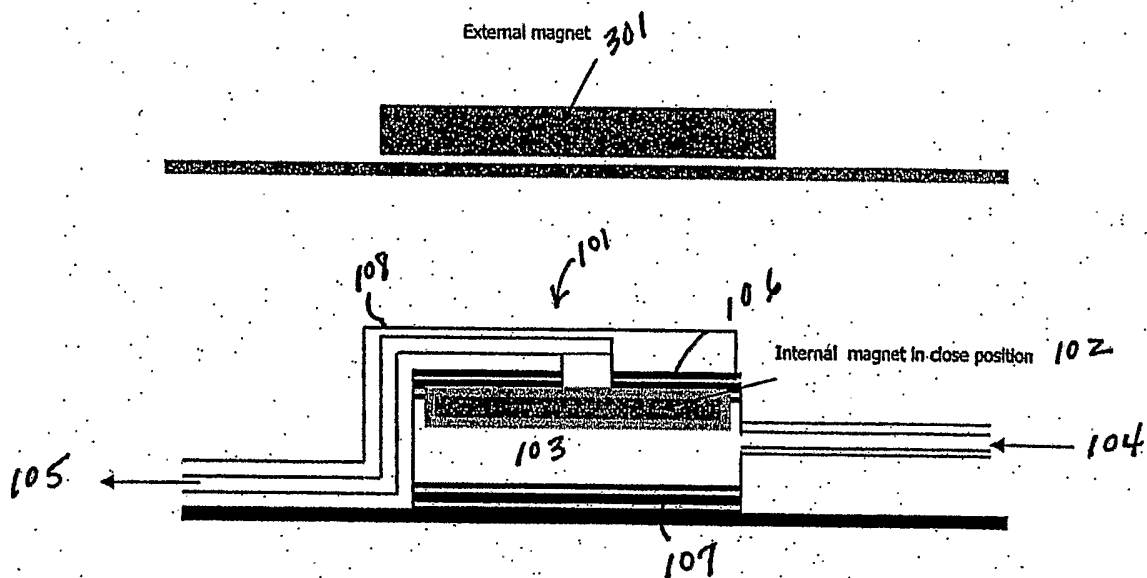


Figure 4 Fluid switch with a spherical magnet which is movable and which can turn in any direction. The switch is open during the presence of an external magnet

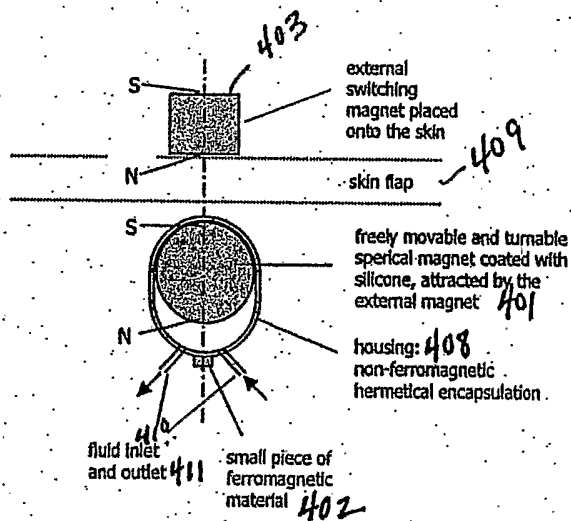


Figure 5 Fluid switch in stable OFF (close) position when the external magnet is removed

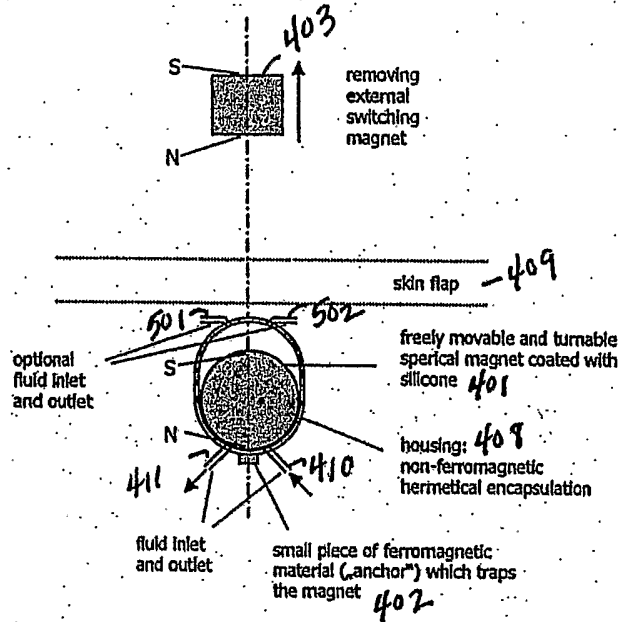


Figure 6 Fluid switch like in figure 4 but with grooves in the coating of the spherical magnet over one magnetic pole

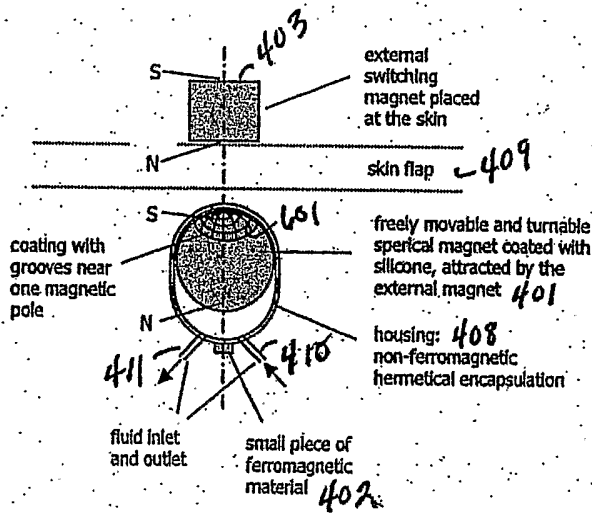


Figure 7 Fluid switch in stable OFF (close) position when the external magnet is removed

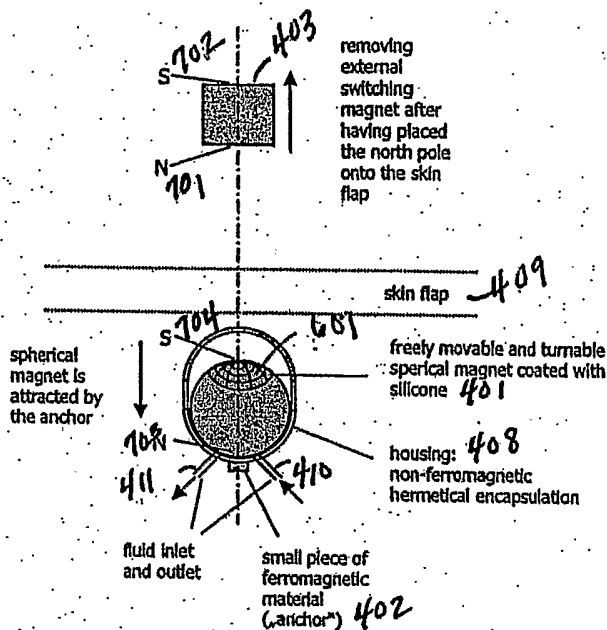


Figure 8 Fluid switch in stable ON (open) position when the external magnet is removed, the fluid can pass through the grooves.

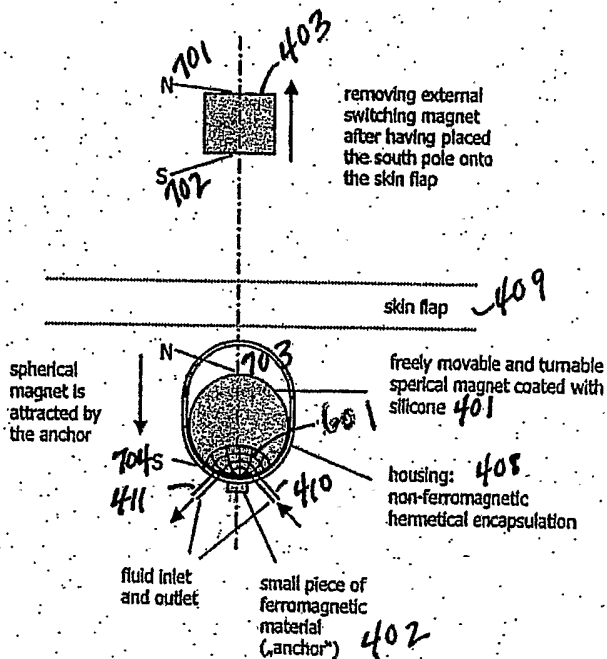


Figure 9 External indicator for checking the state of the switch

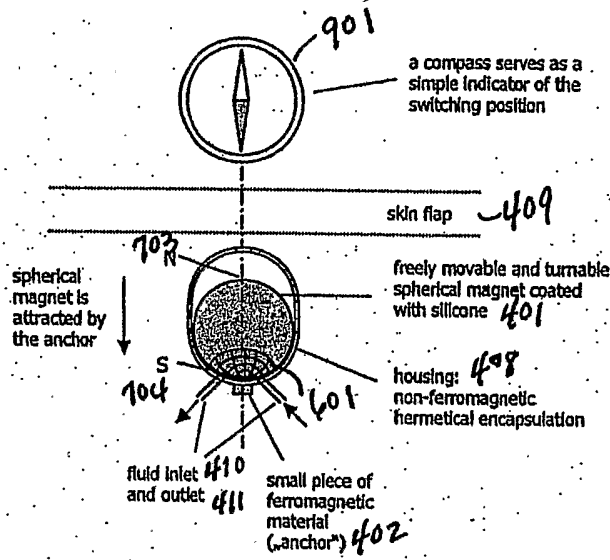


Figure 10 Switch where the coating over one magnetic pole is recessed or is replaced by another (e.g. semi-permeable) material

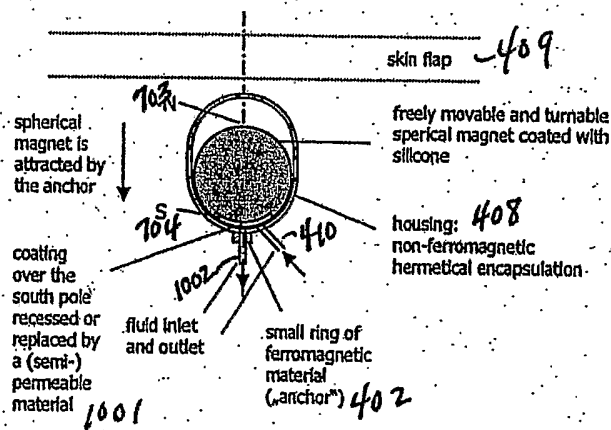


Figure 11 Bi-stable switch with a spherical magnet which is free to turn into any direction

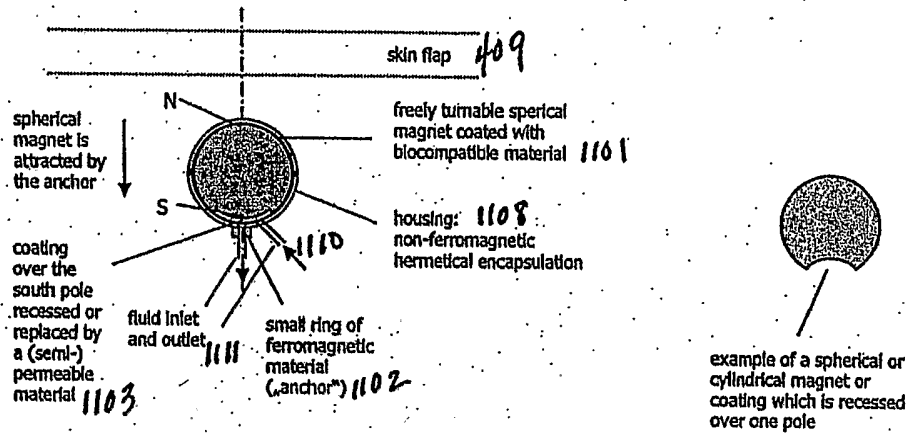


Figure 12 Fluid switch with two inlets and two outlets which are open / closed depending on the switching state

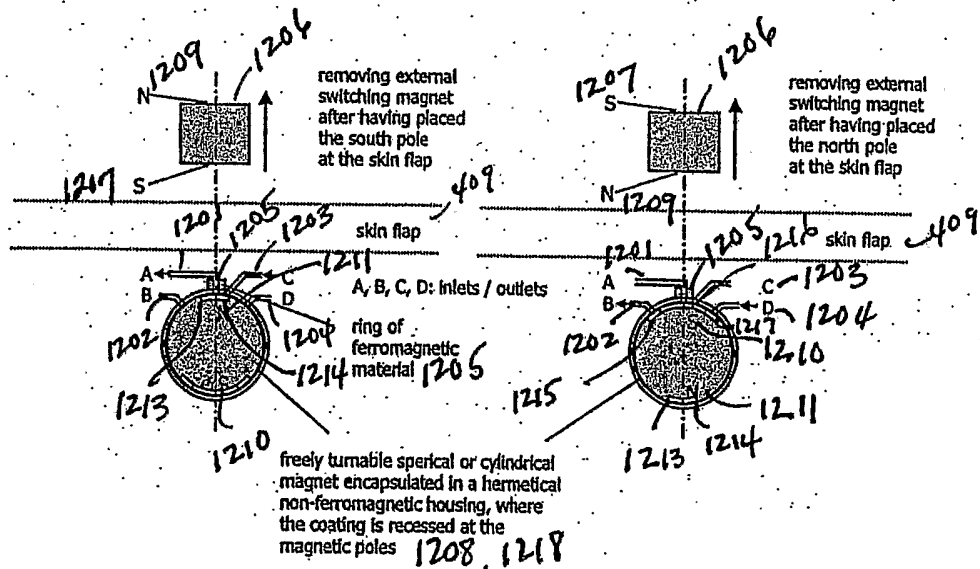


Figure 13 Magnetically activated implantable fluid switch which controls the flow direction

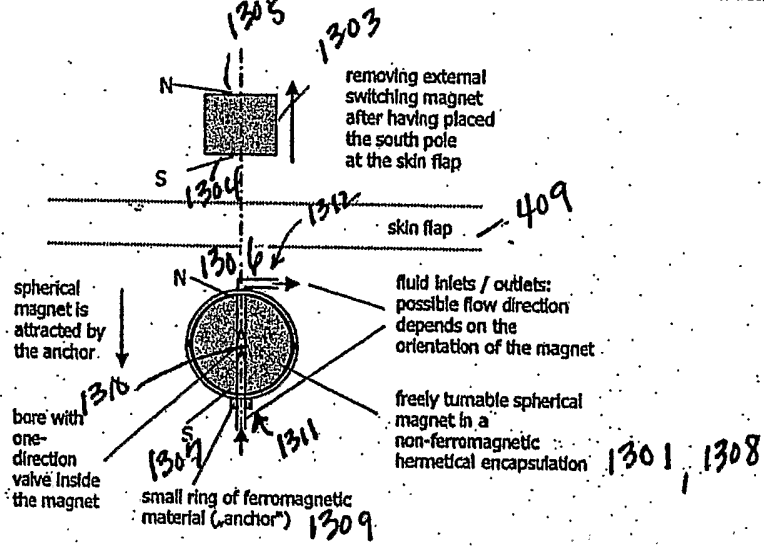
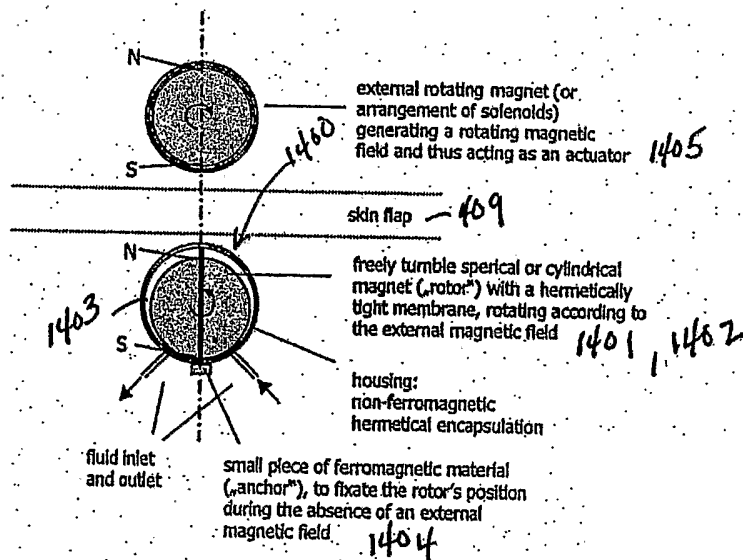


Figure 14 Magnetically driven fluid pump which interrupts fluid flow when no external magnet is present



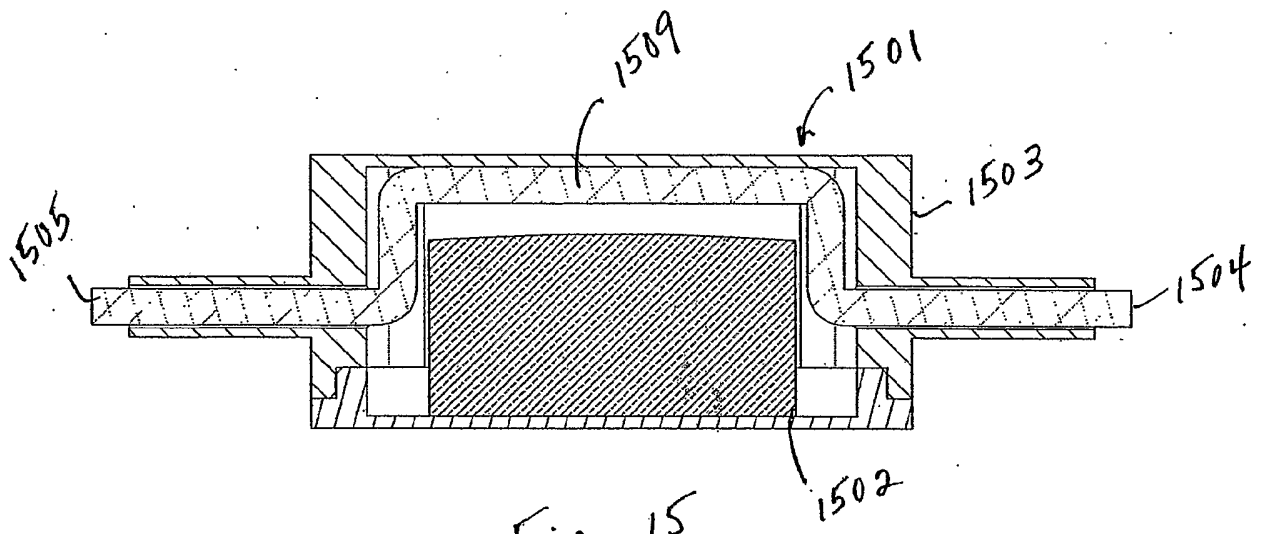
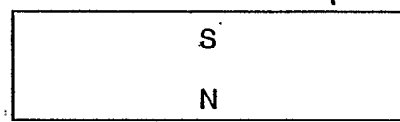


Fig. 15



external magnet

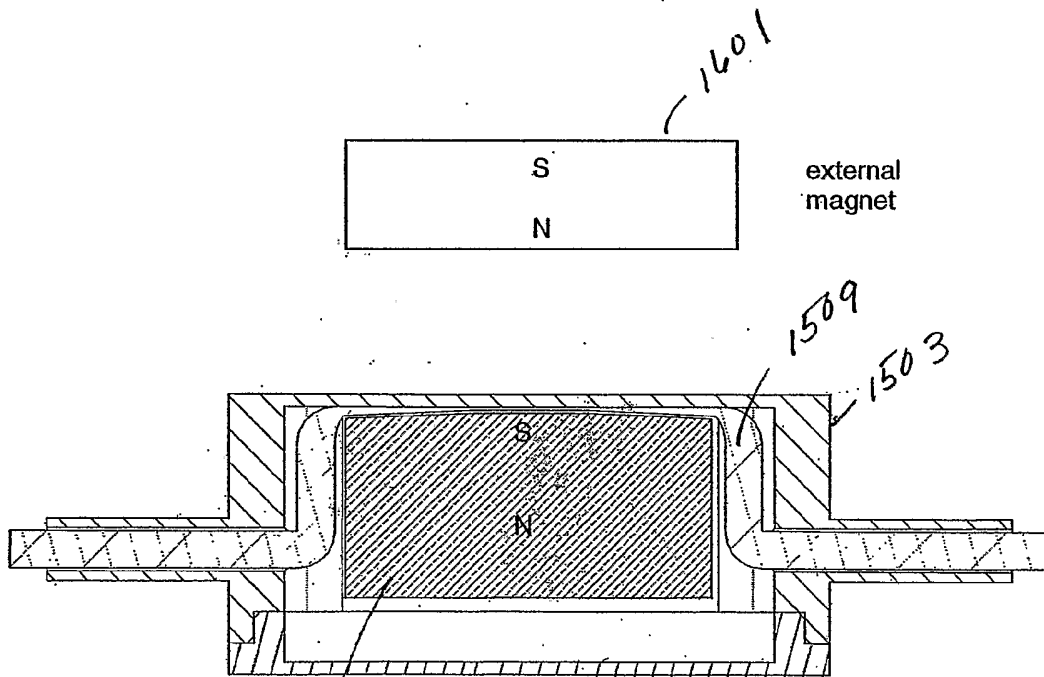


Fig. 16

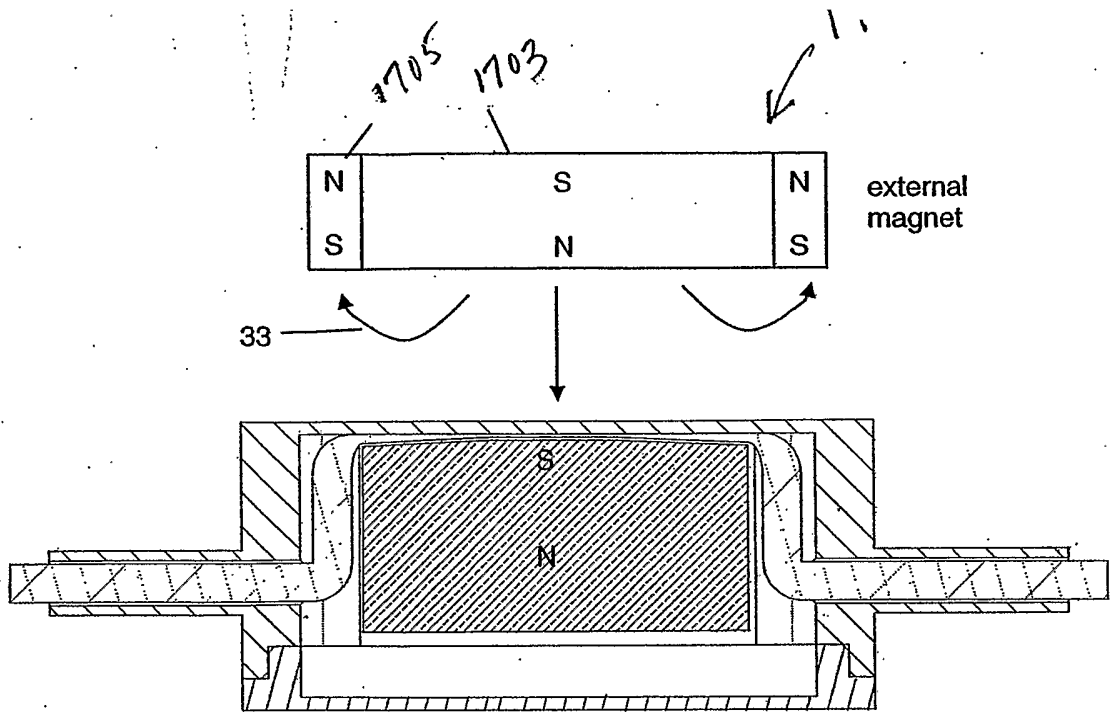


Fig. 17

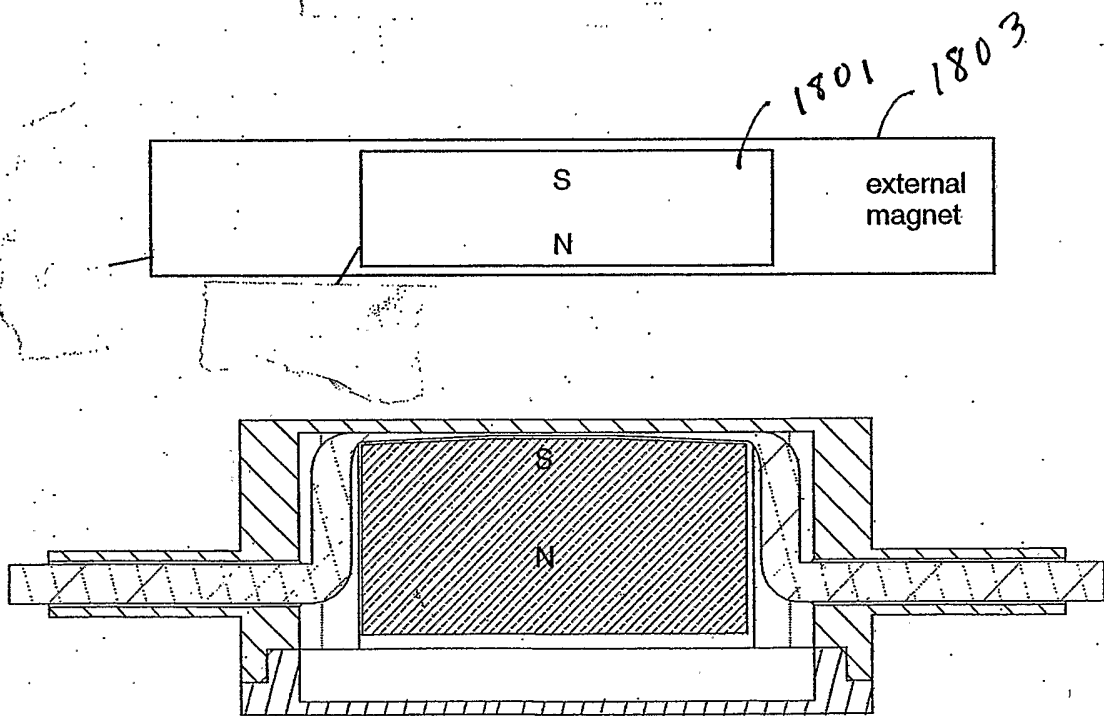


Fig. 18

INTERNATIONAL SEARCH REPORT

International Application No
PCT/IB 03/06363

A. CLASSIFICATION OF SUBJECT MATTER

IPC 7 A61M39/00

According to International Patent Classification (IPC) or to both national classification and IPC

B. FIELDS SEARCHED

Minimum documentation searched (classification system followed by classification symbols)

IPC 7 A61M

Documentation searched other than minimum documentation to the extent that such documents are included in the fields searched

Electronic data base consulted during the international search (name of data base and, where practical, search terms used)

EPO-Internal

C. DOCUMENTS CONSIDERED TO BE RELEVANT

Category °	Citation of document, with indication, where appropriate, of the relevant passages	Relevant to claim No.
X	EP 0 564 321 A (CELSA L G SA) 6 October 1993 (1993-10-06) column 7, line 52 -column 8, line 58; figures 12,13 ---	1-3,9, 12,13, 18,27-32
X	WO 81/00209 A (UNIV MINNESOTA) 5 February 1981 (1981-02-05) page 4, line 15 -page 8, line 26; figure 1 ---	1-3,7-9, 11,12, 14,16, 20,27-32
X	DE 295 13 195 U (SCHREIBER HANS) 19 December 1996 (1996-12-19) the whole document ---	1-3,9, 11,13, 23,29,30

Further documents are listed in the continuation of box C.

Patent family members are listed in annex.

° Special categories of cited documents:

- *A* document defining the general state of the art which is not considered to be of particular relevance
- *E* earlier document but published on or after the international filing date
- *L* document which may throw doubts on priority claim(s) or which is cited to establish the publication date of another citation or other special reason (as specified)
- *O* document referring to an oral disclosure, use, exhibition or other means
- *P* document published prior to the international filing date but later than the priority date claimed

- *T* later document published after the international filing date or priority date and not in conflict with the application but cited to understand the principle or theory underlying the invention
- *X* document of particular relevance; the claimed invention cannot be considered novel or cannot be considered to involve an inventive step when the document is taken alone
- *Y* document of particular relevance; the claimed invention cannot be considered to involve an inventive step when the document is combined with one or more other such documents, such combination being obvious to a person skilled in the art.
- *&* document member of the same patent family

Date of the actual completion of the international search

4 May 2004

Date of mailing of the international search report

14/05/2004

Name and mailing address of the ISA

European Patent Office, P.B. 5818 Patentlaan 2
NL - 2280 HV Rijswijk
Tel. (+31-70) 340-2040, Tx. 31 651 epo nl,
Fax: (+31-70) 340-3016

Authorized officer

Vänttinen, H

INTERNATIONAL SEARCH REPORT

Int ional Application No
PCT/IB 03/06363

C.(Continuation) DOCUMENTS CONSIDERED TO BE RELEVANT

Category °	Citation of document, with indication, where appropriate, of the relevant passages	Relevant to claim No.
X	WO 98/52640 A (BEN SHALOM ZVI ;CORE LTD Q (IL)) 26 November 1998 (1998-11-26) page 8, line 1-18 page 9, line 11 -page 11, line 17; figures 3A-3C,5-12 -----	1,9,10, 29
X	DE 199 60 131 A (ADEVA MEDICAL GES FUER ENTWICK) 5 July 2001 (2001-07-05) the whole document -----	1,29
X	DE 32 42 870 A (MACHIDA ENDOSCOPE CO LTD) 1 June 1983 (1983-06-01) abstract; figures 7-9 -----	1,29

INTERNATIONAL SEARCH REPORT

Information on patent family members

International Application No

PCT/IB 03/06363

Patent document cited in search report	A	Publication date	Patent family member(s)	Publication date
EP 0564321	A	06-10-1993	FR 2689403 A1 DE 69306292 D1 DE 69306292 T2 EP 0564321 A2	08-10-1993 16-01-1997 03-04-1997 06-10-1993
WO 8100209	A	05-02-1981	AR 221767 A1 AT 6592 T AU 538096 B2 AU 6226780 A BE 884225 A1 BR 8008758 A CA 1156893 A1 DE 3066961 D1 DK 110781 A EP 0031850 A1 FR 2460677 A1 IT 1131904 B JP 56500836 T MX 149138 A NO 810853 A ,B, NZ 194277 A WO 8100209 A1 ZA 8004064 A	13-03-1981 15-03-1984 26-07-1984 13-02-1981 08-01-1981 05-05-1981 15-11-1983 19-04-1984 11-03-1981 15-07-1981 30-01-1981 25-06-1986 25-06-1981 05-09-1983 12-03-1981 30-09-1983 05-02-1981 24-06-1981
DE 29513195	U	19-12-1996	DE 29513195 U1	19-12-1996
WO 9852640	A	26-11-1998	AU 6417398 A WO 9852640 A1	11-12-1998 26-11-1998
DE 19960131	A	05-07-2001	DE 19960131 A1 WO 0143812 A1 EP 1140276 A1 JP 2003516827 T	05-07-2001 21-06-2001 10-10-2001 20-05-2003
DE 3242870	A	01-06-1983	JP 58126801 U JP 58077701 U JP 58077704 U JP 58077705 U DE 3242870 A1 DE 3250085 R3	29-08-1983 26-05-1983 26-05-1983 26-05-1983 01-06-1983 13-07-1995