



US00D774174S

(12) **United States Design Patent**  
**Chapman**

(10) **Patent No.:** **US D774,174 S**

(45) **Date of Patent:** **\*\* Dec. 13, 2016**

- (54) **CLOCK FAN**
- (71) Applicant: **Carl Chapman**, Humble, TX (US)
- (72) Inventor: **Carl Chapman**, Humble, TX (US)
- (\*\*) Term: **15 Years**
- (21) Appl. No.: **29/543,533**
- (22) Filed: **Oct. 26, 2015**
- (51) **LOC (10) Cl.** ..... **23-04**
- (52) **U.S. Cl.**  
USPC ..... **D23/370**
- (58) **Field of Classification Search**  
USPC ..... D23/370, 355, 314, 414, 371, 377,  
385, D23/411, 383, 373, 378; 415/121.1;  
D14/432; D10/2  
CPC .... F04D 29/329; F04D 29/526; F04D 25/082;  
F04D 29/325; F04D 29/703; F04D  
29/547; B65D 90/36; F23L 17/02; F24F  
13/1406; F24F 1/02  
See application file for complete search history.

D369,403 S *	4/1996	Reveal	.....	D23/328
5,666,331 A	9/1997	Kollin		
D398,387 S *	9/1998	Wan	.....	D10/2
D418,910 S *	1/2000	Gould	.....	D10/2
D440,883 S *	4/2001	Wilson, Jr.	.....	D10/2
D683,010 S *	5/2013	Chen	.....	D23/370
D752,201 S *	3/2016	Herbst	.....	D23/370
D760,370 S *	6/2016	Herbst	.....	D23/370
D761,948 S *	7/2016	Schler	.....	D23/370

\* cited by examiner

*Primary Examiner* — Cynthia Underwood  
(74) *Attorney, Agent, or Firm* — Notaro, Michalos & Zaccaria P.C.

(57) **CLAIM**

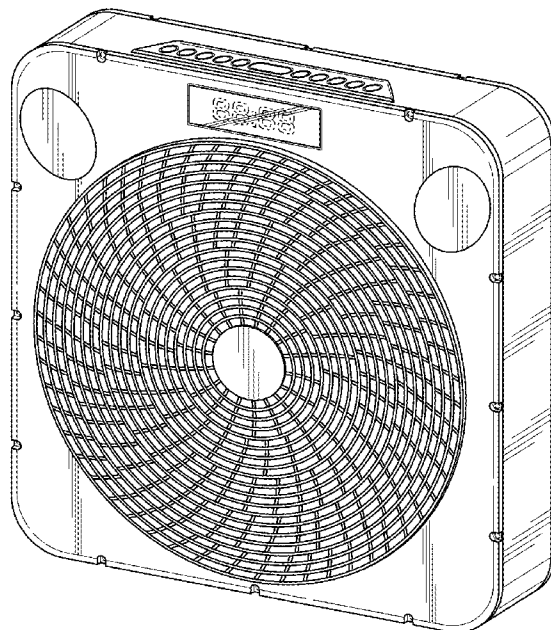
The ornamental design for a clock fan, as shown and described.

**DESCRIPTION**

FIG. 1 is a top, front perspective view of a clock fan showing my new design therefor;  
FIG. 2 is bottom, rear perspective view thereof;  
FIG. 3 is a front elevational view thereof;  
FIG. 4 is a rear elevational view thereof;  
FIG. 5 is a right side view thereof;  
FIG. 6 is a left side view thereof;  
FIG. 7 is a top plan view thereof; and,  
FIG. 8 is a bottom plan view thereof.  
Throughout the drawings, the broken lines depict environmental subject matter only and form no part of the claimed design.

**1 Claim, 6 Drawing Sheets**

- (56) **References Cited**  
**U.S. PATENT DOCUMENTS**
- 816,903 A 4/1906 Earl
- 1,480,906 A 1/1924 Heitzman
- D104,119 S \* 4/1937 Schwarz ..... D23/382
- 2,218,198 A \* 10/1940 Harris ..... F24F 6/06  
239/214.21
- 2,835,830 A 5/1958 Rathenau
- 3,455,102 A 7/1969 Wolf
- 4,041,723 A 8/1977 Weibel, Jr. et al.
- D293,714 S \* 1/1988 Jih ..... D18/6



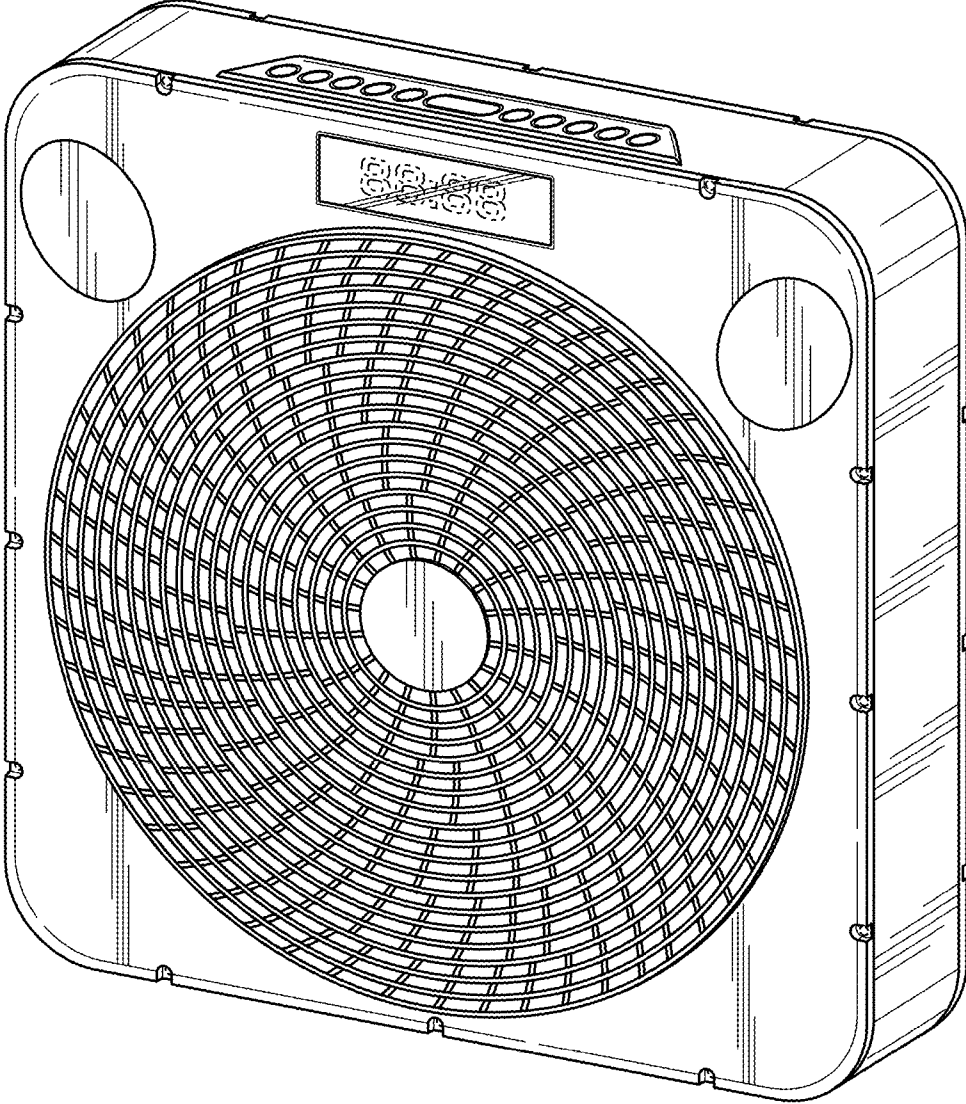


FIG. 1

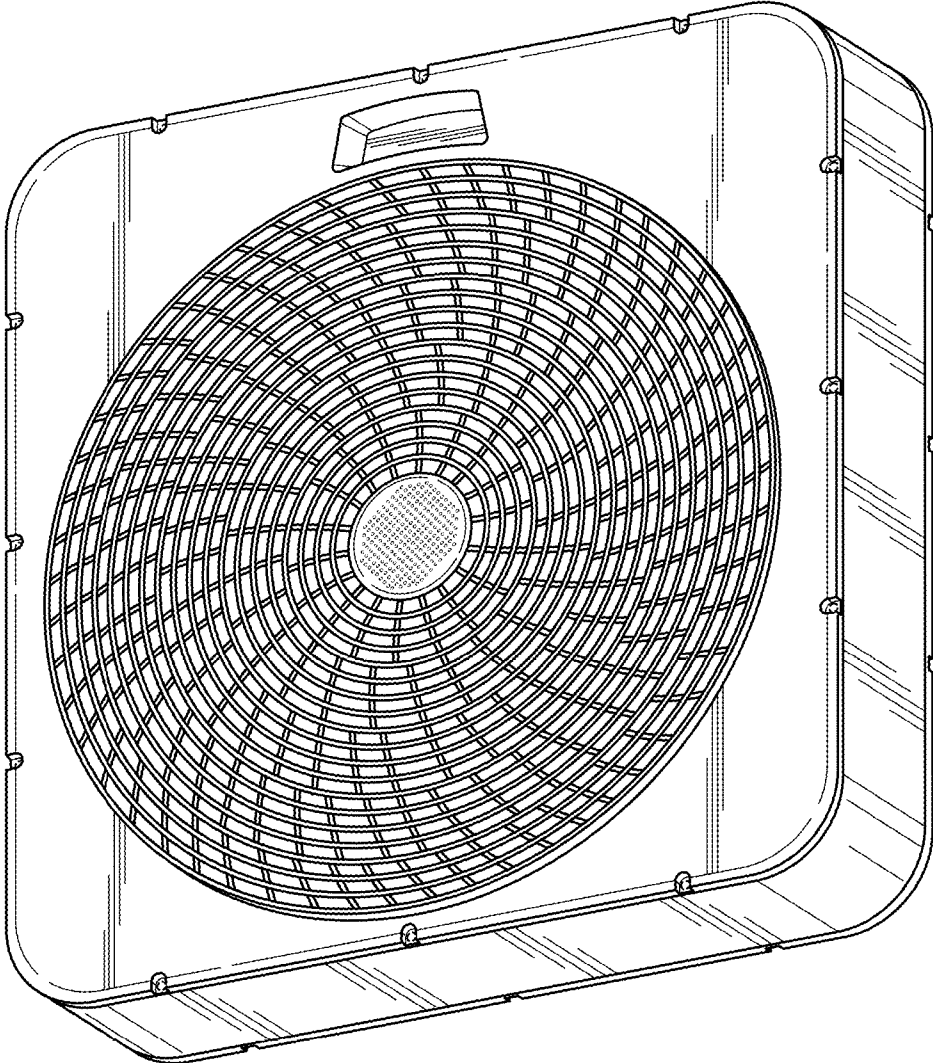


FIG. 2

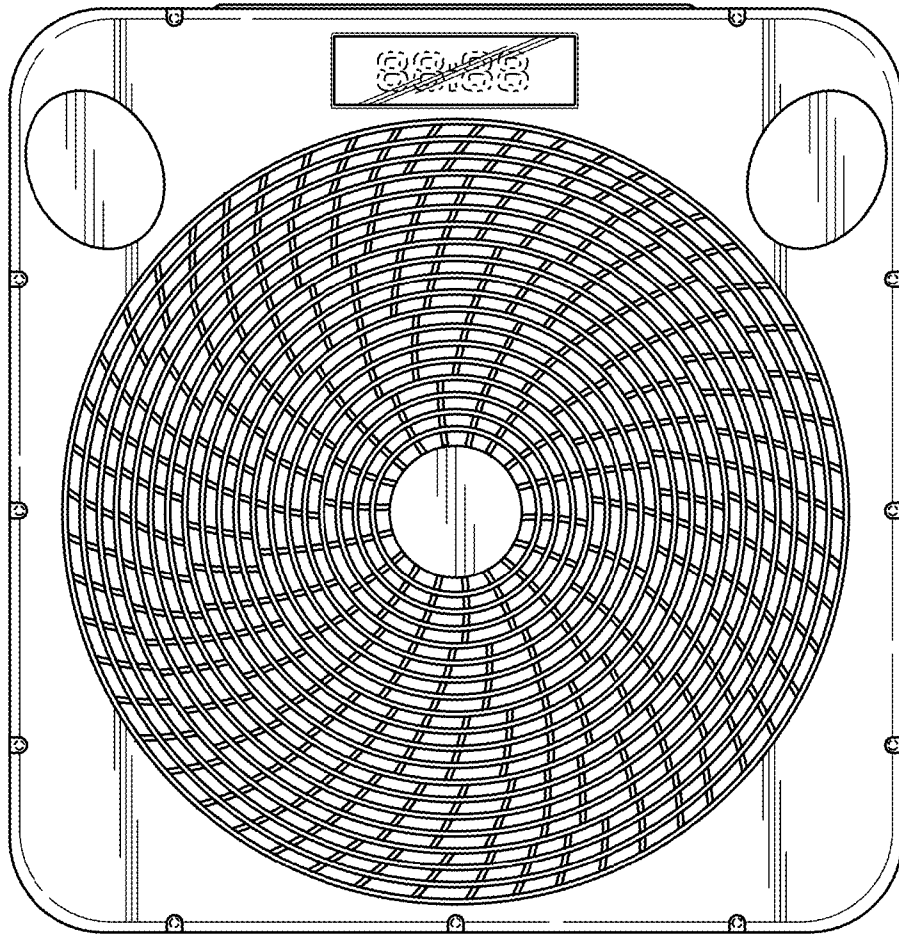


FIG. 3

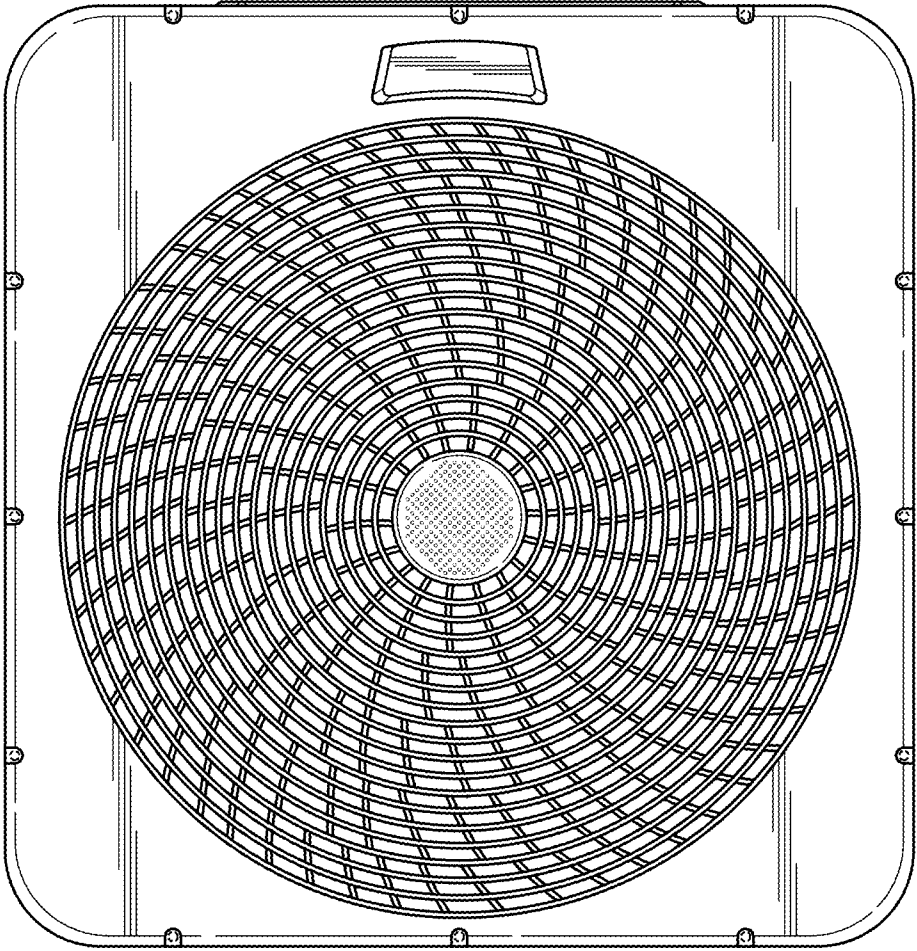


FIG. 4

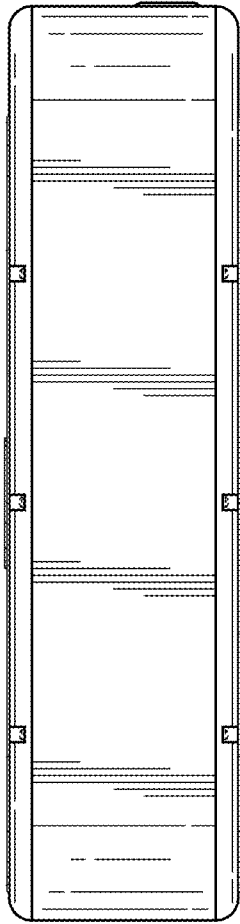


FIG. 5

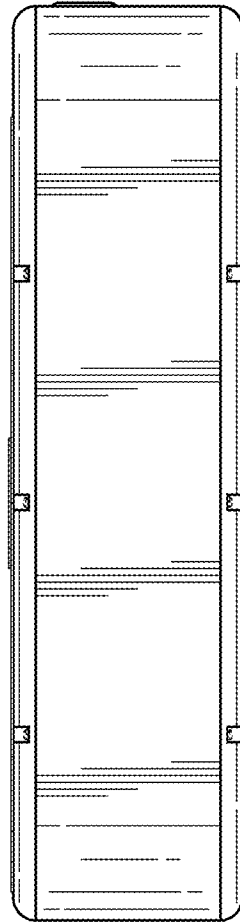


FIG. 6



FIG. 7

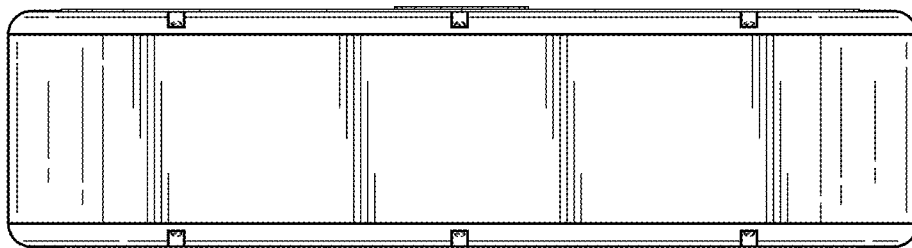


FIG. 8