



US00D409705S

# United States Patent [19]

[11] Patent Number: Des. 409,705

Fazekas

[45] Date of Patent: \*\* May 11, 1999

[54] **MULTIPURPOSE GOLF TOOL**

[76] Inventor: **Craig A. Fazekas**, 39 Varda Landing Rd., Sausalito, Calif. 94965

[\*\*] Term: **14 Years**

[21] Appl. No.: **29/067,392**

[22] Filed: **Mar. 6, 1997**

[51] **LOC (6) Cl.** ..... **21-02**

[52] **U.S. Cl.** ..... **D21/793**

[58] **Field of Search** ..... D21/234, 208; D8/13; 473/406, 408, 285, 286

4,822,052 4/1989 Dimmick et al. .  
 4,908,899 3/1990 Killen .  
 4,974,842 12/1990 Widman .  
 5,022,650 6/1991 Madock .  
 5,121,519 6/1992 Haugom .  
 5,282,616 2/1994 Stacavich-Notaro .  
 5,295,683 3/1994 Tate .

### OTHER PUBLICATIONS

FIGS. 1-7 showing multipurpose golf tool on sale before Mar. 6, 1996.

*Primary Examiner*—Sandra L. Morris  
*Assistant Examiner*—Mitchell I. Siegel  
*Attorney, Agent, or Firm*—Oppenheimer Wolff & Donnelly LLP

### [56] References Cited

#### U.S. PATENT DOCUMENTS

- D. 218,836 9/1970 Watanabe .
- D. 237,516 11/1975 Yaudes .
- D. 247,686 4/1978 Desjardins .
- D. 254,211 2/1980 Gutnecht .
- D. 285,233 8/1986 Owen .
- D. 290,985 7/1987 Dikoff .
- D. 328,117 7/1992 Haugom .
- D. 331,090 11/1992 Cellura .
- D. 340,755 10/1993 Shearer .
- D. 356,358 3/1995 Woodruff .
- D. 357,964 5/1995 Williams .
- D. 360,450 7/1995 Louden et al. .
- D. 361,815 8/1995 Fazekas .
- D. 373,401 9/1996 Schempp .
- D. 384,719 10/1997 Fazekas ..... D21/234
- 3,049,182 8/1962 Pelow .
- 3,120,388 2/1964 Doble .
- 3,203,700 8/1965 Antonious .
- 3,233,802 2/1966 Ludwick .
- 3,622,157 11/1971 Hatch .
- 3,744,542 7/1973 Stephens et al. .
- 3,763,515 10/1973 Voss .
- 3,774,913 11/1973 Dien .
- 4,063,731 12/1977 Kitay .
- 4,315,624 2/1982 Buckman .
- 4,453,294 6/1984 Morita .
- 4,530,500 7/1985 Kaymen .
- 4,535,987 8/1985 Dikoff .

### [57] CLAIM

The ornamental design for a multipurpose golf tool, as shown and described.

### DESCRIPTION

FIG. 1 is an enlarged perspective view of a multipurpose golf tool showing my new design;  
 FIG. 2 is a front elevational view;  
 FIG. 3 is a top plan view of FIG. 2;  
 FIG. 4 is a rear elevational view of FIG. 2;  
 FIG. 5 is a bottom plan view of FIG. 2;  
 FIG. 6 is a left side elevational view of FIG. 2; the right side elevational view being a mirror image thereof;  
 FIG. 7 is an enlarged perspective view showing the ball marker in a removed position;  
 FIG. 8 is a front elevational view of the multipurpose golf tool of FIG. 7;  
 FIG. 9 is a cross-sectional view taken on line 9—9 of FIG. 8;  
 FIG. 10 is a cross-sectional view taken on line 10—10 of FIG. 8; and,  
 FIG. 11 is an enlarged perspective view of a second embodiment thereof which is identical to the embodiment of FIG. 1 except it has a rounded top.

1 Claim, 4 Drawing Sheets

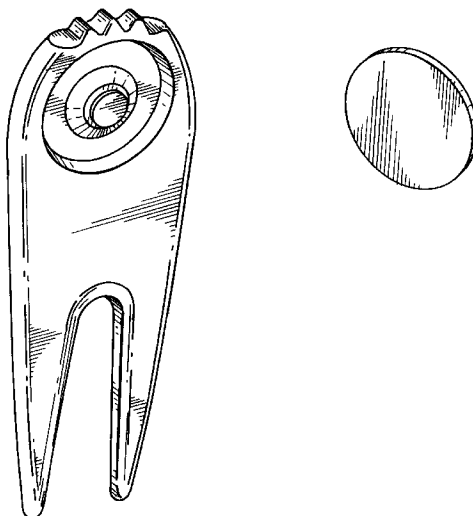


FIG. 1

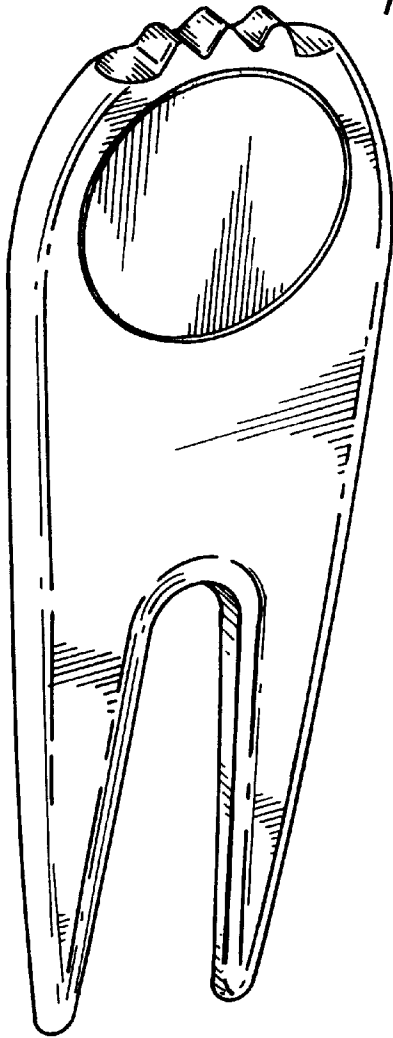


FIG. 2

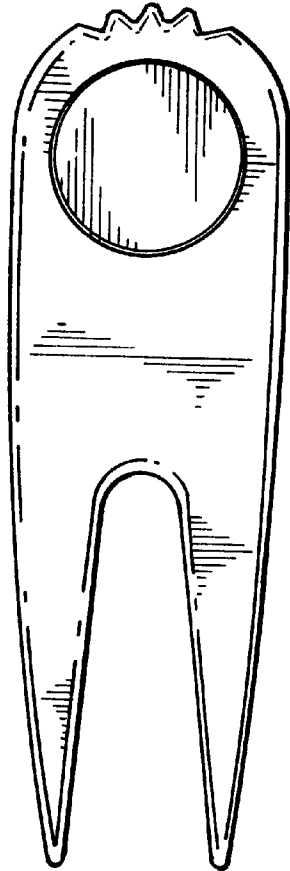


FIG. 3

FIG. 4

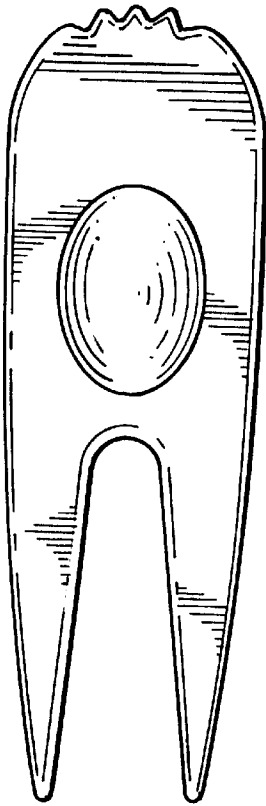


FIG. 5



FIG. 6



FIG. 7

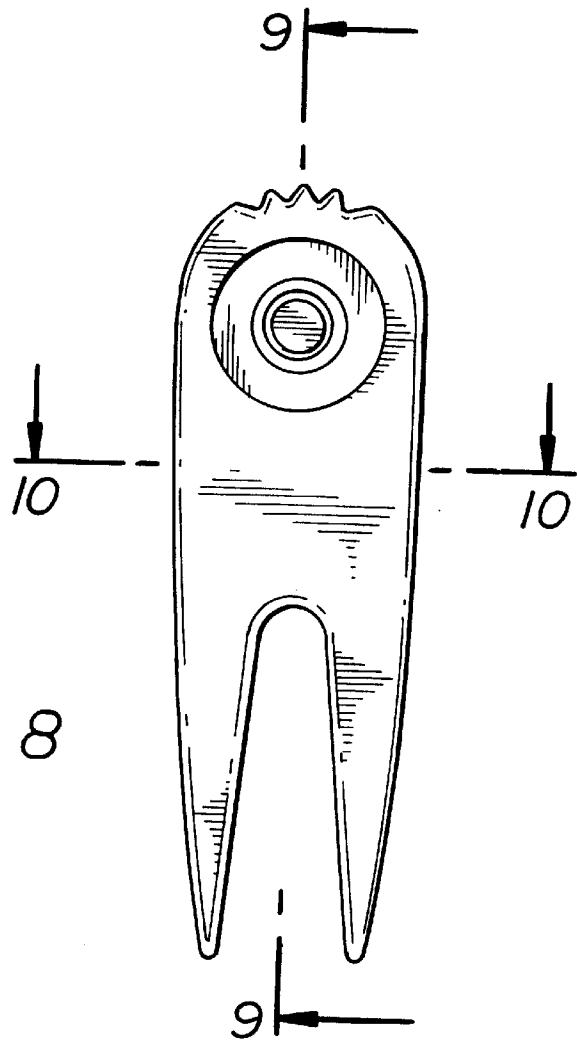
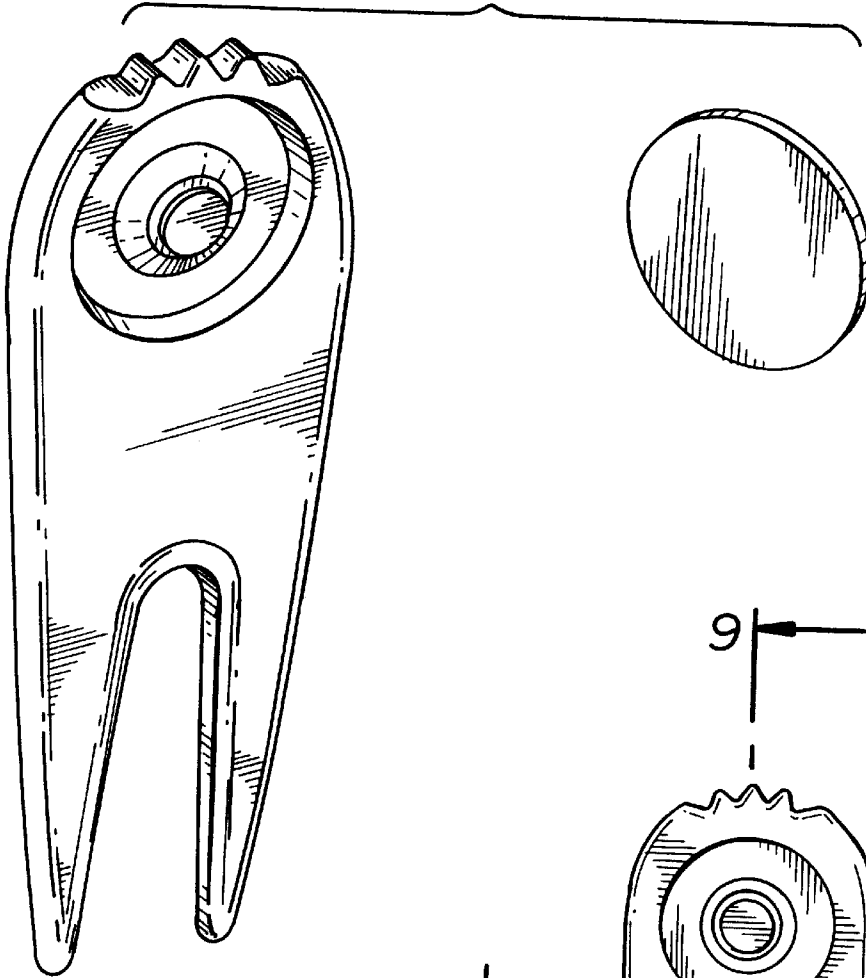


FIG. 8



FIG. 9

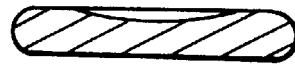


FIG. 10

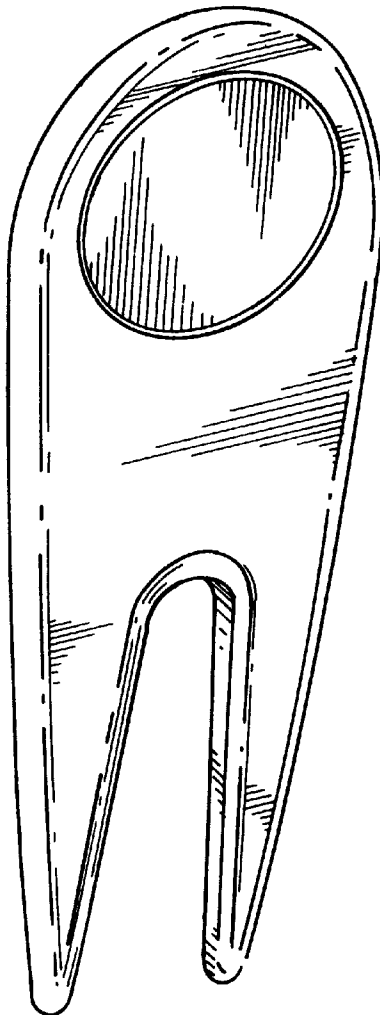


FIG. 11